



US00D624867S

(12) **United States Design Patent**
Gall et al.

(10) **Patent No.:** **US D624,867 S**

(45) **Date of Patent:** **** Oct. 5, 2010**

(54) **PAIR OF AIRCRAFT WINGS**

(75) Inventors: **Pierre-Emmanuel Gall**, Toulouse (FR);
Julien Ricouard, Toulouse (FR)

(73) Assignee: **Airbus Operations S.A.S.**, Toulouse
Cedex (FR)

(**) Term: **14 Years**

(21) Appl. No.: **29/354,310**

(22) Filed: **Jan. 22, 2010**

(51) **LOC (9) Cl.** **12-07**

(52) **U.S. Cl.** **D12/345**

(58) **Field of Classification Search** D12/319-345;
244/12.5, 12.6, 13, 15, 45 A, 45 R, 46, 55,
244/91, 198, 199.2, 199.4, 211, 213, 215;
446/56, 57

See application file for complete search history.

(56) **References Cited**

U.S. PATENT DOCUMENTS

D351,131 S *	10/1994	Inoue et al.	D12/331
D369,776 S *	5/1996	Kraft et al.	D12/344
D494,531 S *	8/2004	Fraser	D12/319
D495,988 S *	9/2004	Beaunis et al.	D12/319
D566,031 S *	4/2008	Beaunis et al.	D12/319
D569,783 S *	5/2008	Beaunis et al.	D12/345
D598,361 S *	8/2009	Beaunis et al.	D12/343

* cited by examiner

Primary Examiner—Cathron C. Brooks

Assistant Examiner—Maurice Stevens

(74) *Attorney, Agent, or Firm*—Osler, Hoskin & Harcourt
LLP

(57) **CLAIM**

The ornamental design for a pair of aircraft wings, as shown
and described.

DESCRIPTION

FIG. 1 is a perspective view taken from a top, front, left side
pair of aircraft wings according to our design shown on an
aircraft shown in dotted lines;

FIG. 2 is a top plan view of the pair of aircraft wings of FIG.
1 with engine nacelles and pylons of the aircraft removed for
clarity;

FIG. 3 is a bottom plan view of the pair of aircraft wings of
FIG. 1;

FIG. 4 is a front elevation view thereof;

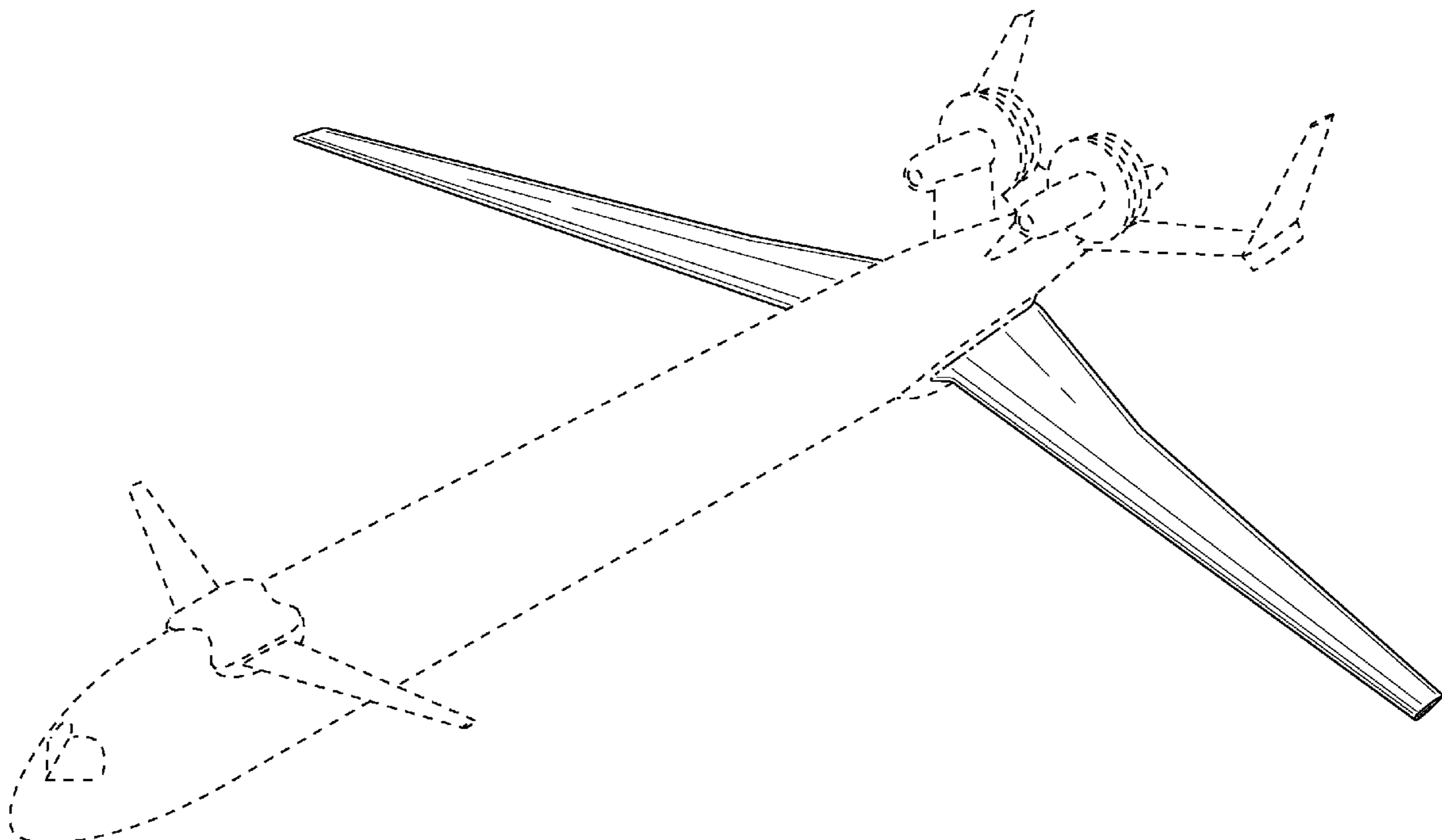
FIG. 5 is a rear elevation view thereof;

FIG. 6 is a left side elevation view thereof; and,

FIG. 7 is a right side elevation view thereof.

Throughout the Figures, where shown: (i) the dotted lines
showing environment are for illustrative purposes only and
form no part of the claimed design; (ii) the unshaded surfaces
do not form part of the claimed design; and (iii) the dash-dot
lines illustrate unclaimed boundaries of surfaces claimed as
part of the design.

1 Claim, 7 Drawing Sheets



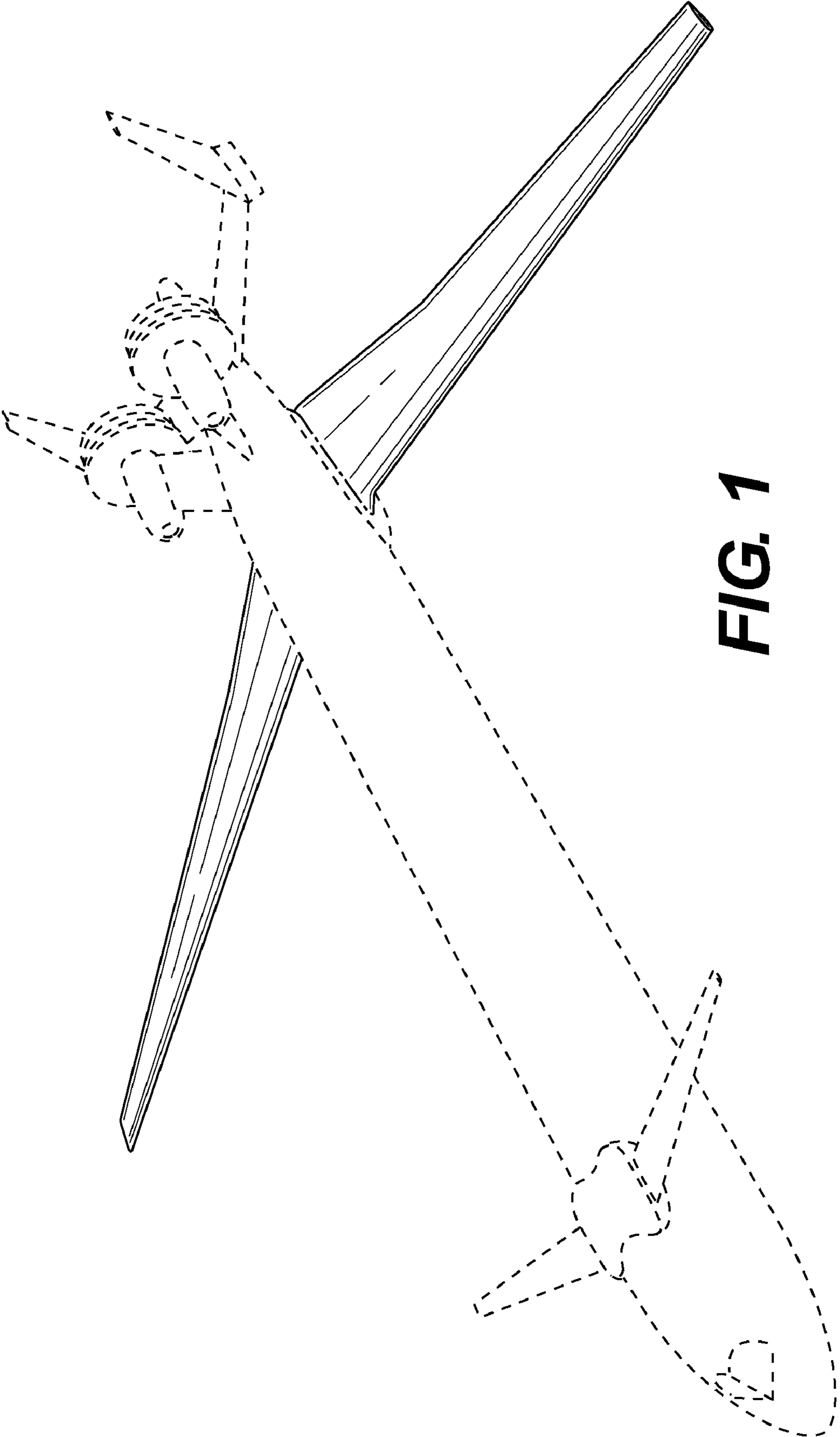


FIG. 1

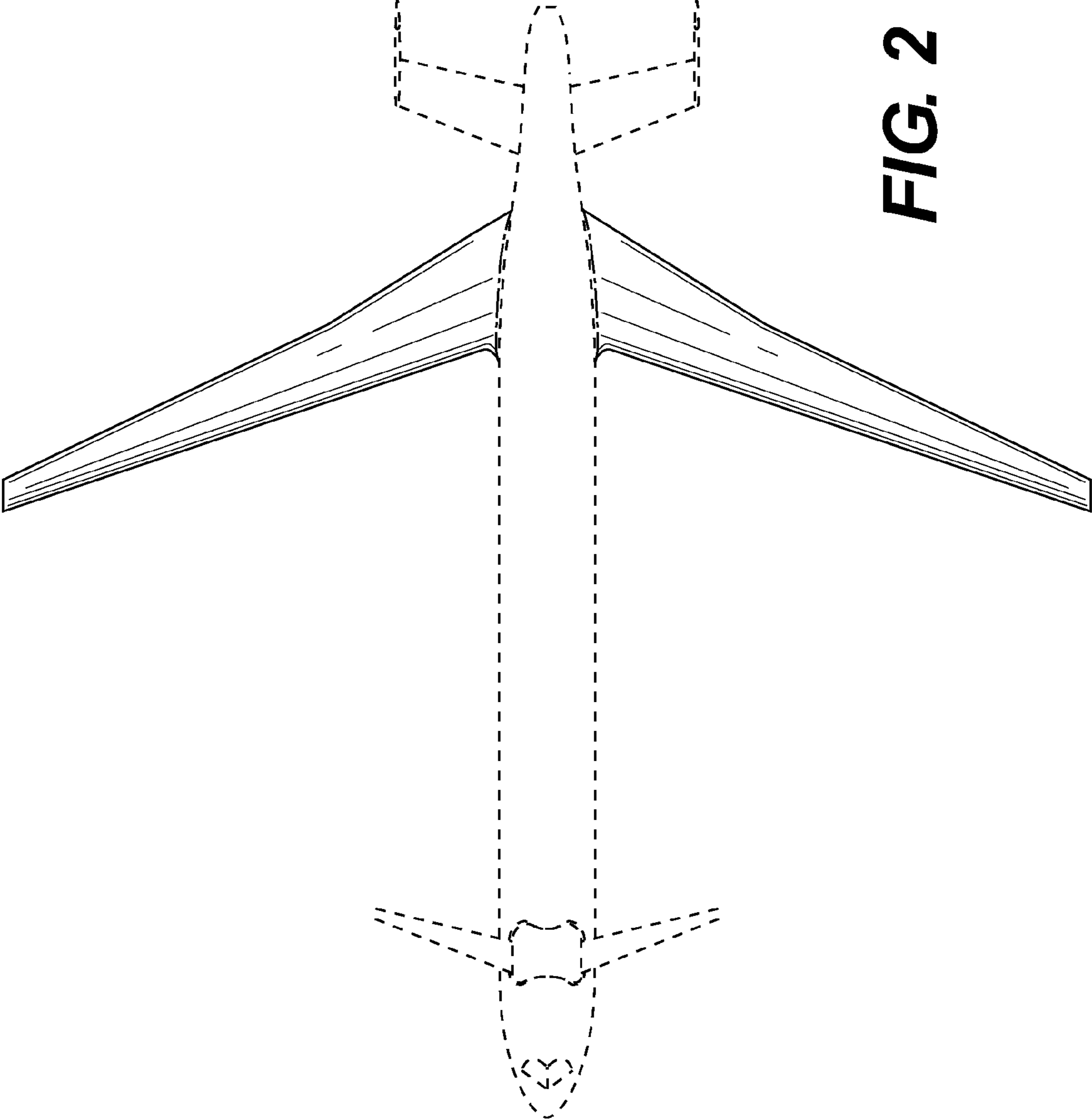


FIG. 2

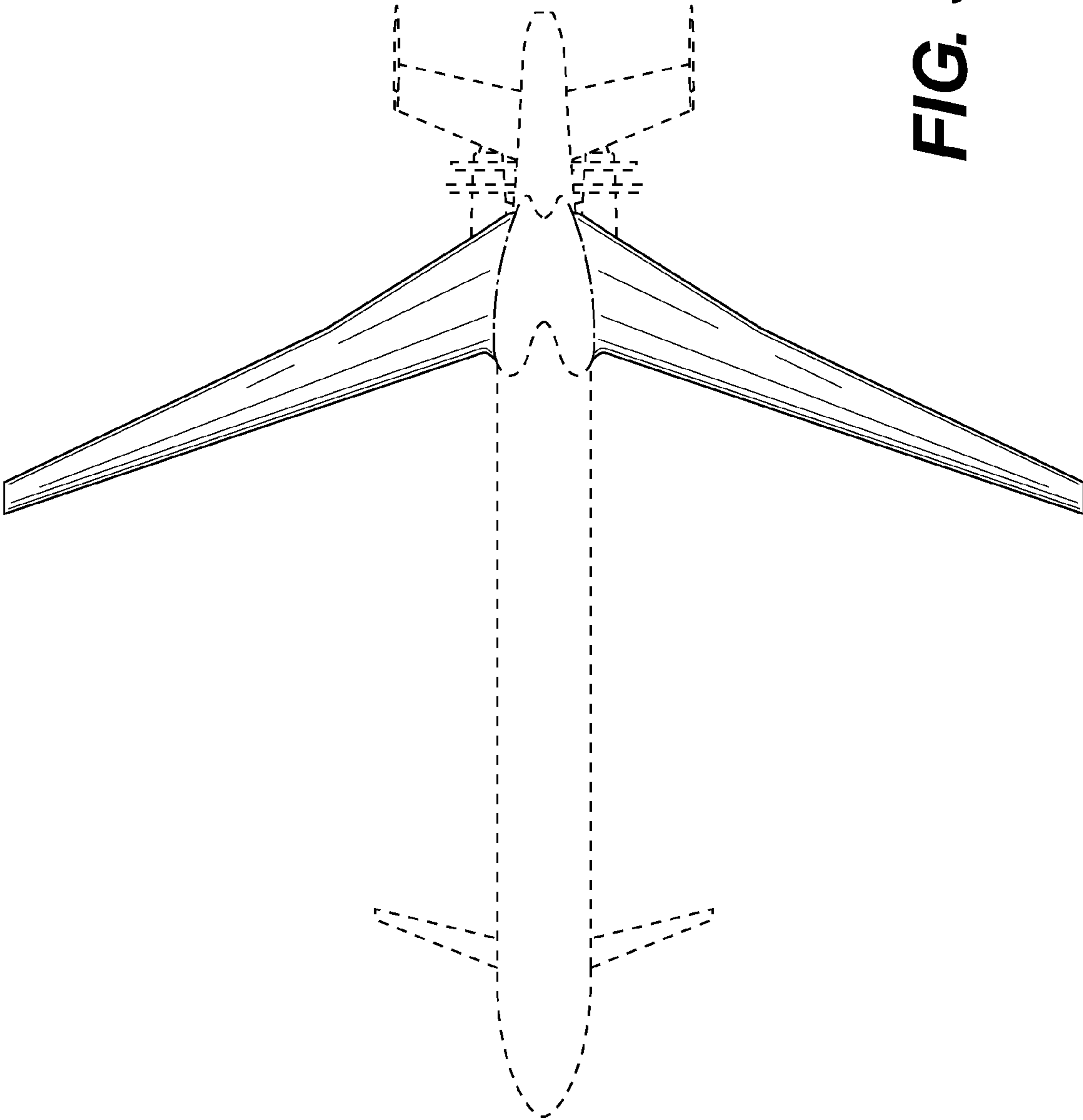


FIG. 3

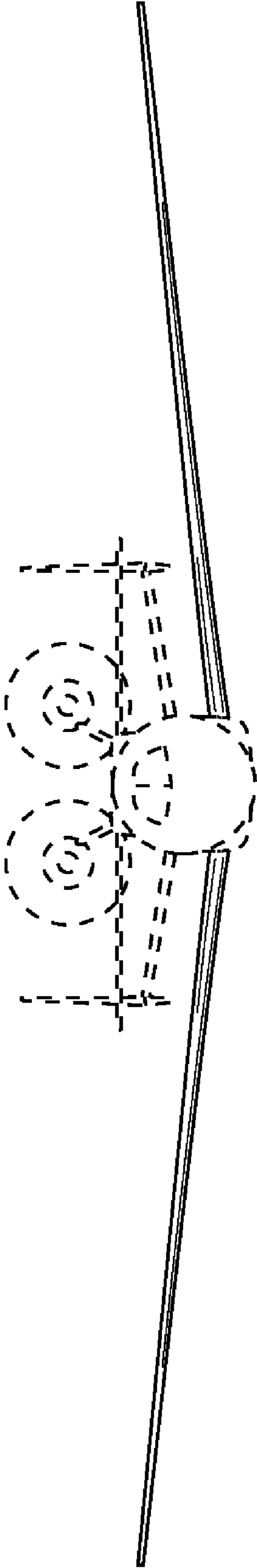


FIG. 4

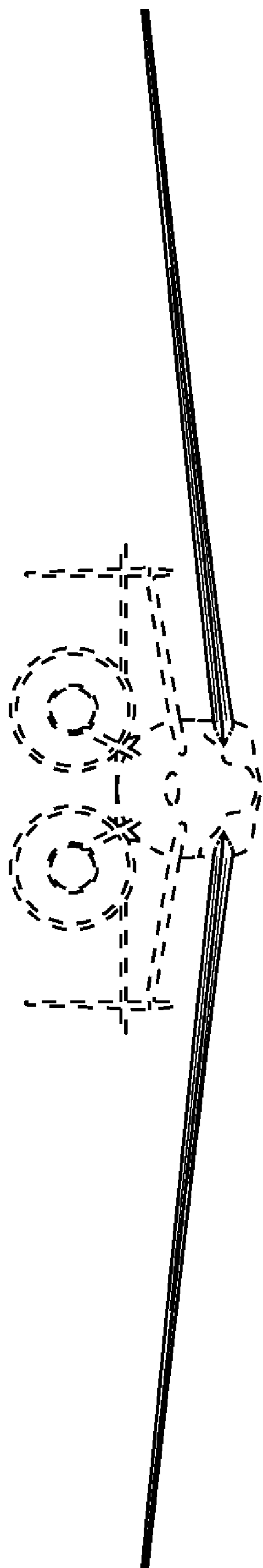


FIG. 5

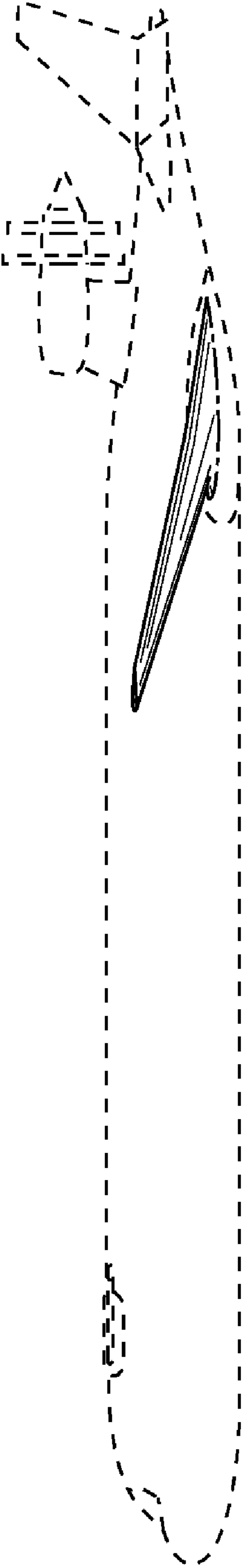


FIG. 6

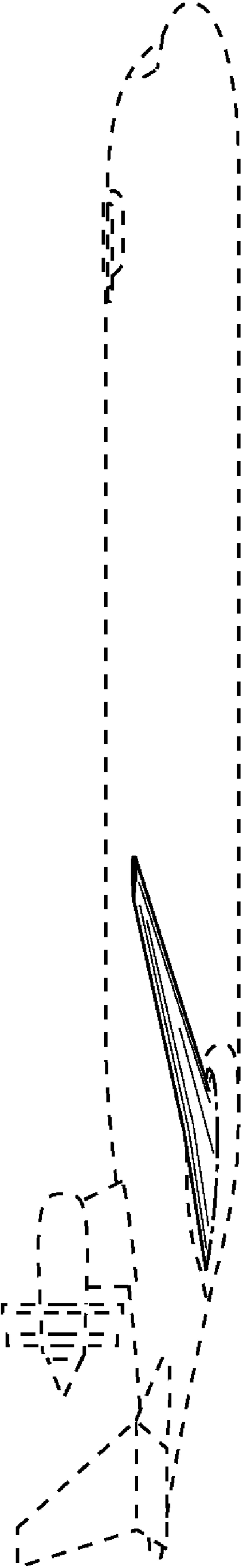


FIG. 7