

US00D624866S

(12) **United States Design Patent**
Saint-Jalmes et al.

(10) **Patent No.:** **US D624,866 S**
(45) **Date of Patent:** **** Oct. 5, 2010**

(54) **AIRCRAFT COCKPIT WINDOW**

(75) Inventors: **Bruno Saint-Jalmes**, Toulouse (FR);
Jason Zaneboni, Blagnac (FR);
Bernard Rumeau, Cornebarrieu (FR)

(73) Assignee: **Airbus SAS**, Blagnac Cedex (FR)

(**) Term: **14 Years**

(21) Appl. No.: **29/343,969**

(22) Filed: **Sep. 22, 2009**

Related U.S. Application Data

(63) Continuation-in-part of application No. 29/335,123,
filed on Apr. 9, 2009, now Pat. No. Des. 617,724.

(51) **LOC (9) Cl.** **12-07**

(52) **U.S. Cl.** **D12/345**

(58) **Field of Classification Search** D12/183,
D12/319-345, 400; 244/117 R, 129.1, 129.3
See application file for complete search history.

(56) **References Cited**

U.S. PATENT DOCUMENTS

5,201,479	A *	4/1993	Renzelmann	244/49
D337,751	S *	7/1993	Silva	D12/324
D505,204	S *	5/2005	Eatkins et al.	D12/345
D530,659	S *	10/2006	Guering	D12/319
D589,867	S *	4/2009	Chesne et al.	D12/343
D616,354	S *	5/2010	Saint-Jalmes et al.	D12/345
D616,805	S *	6/2010	Zha	D12/343

OTHER PUBLICATIONS

ATR Pictures Media Gallery, ATR GIE [online], 2008, [retrieved on
Aug. 4, 2009]. Retrieved from the Internet: < URL: [http://www.atr.
fr/public/atr/html/media/pictures.php](http://www.atr.fr/public/atr/html/media/pictures.php)>.

Bombardier Q400 Picture, [online], [retrieved on Jun. 30, 2010].
Retrieved from the internet: <URL: [http://wx-man.com/blog/wp-
content/uploads/2009/02/200701bombardier-quantas-q400.jpg](http://wx-man.com/blog/wp-content/uploads/2009/02/200701bombardier-quantas-q400.jpg)>.

Q400 Picture, [online], [retrieved on Jun. 30, 2010]. Retrieved from
the internet: <URL: [http://www.aerazur.com/images/visuels/
elastomeres-dash8Q400-2.jpg](http://www.aerazur.com/images/visuels/elastomeres-dash8Q400-2.jpg)>.

* cited by examiner

Primary Examiner—Cathron C. Brooks

Assistant Examiner—Maurice Stevens

(74) *Attorney, Agent, or Firm*—Osler, Hoskin & Harcourt
LLP

(57) **CLAIM**

The ornamental design for an aircraft cockpit window, as
shown and described.

DESCRIPTION

FIG. 1 is a perspective view of a top, front, left side of an
aircraft cockpit window according to our new design shown
on an aircraft shown in broken lines;

FIG. 2 is a left elevation view thereof;

FIG. 3 is a right elevation view thereof;

FIG. 4 is a top plan view thereof; and,

FIG. 5 is a front elevation view thereof.

The broken line showing of the airplane and the window
dividers represent unclaimed portions of the aircraft cockpit
window and form no part of the claimed design.

1 Claim, 5 Drawing Sheets

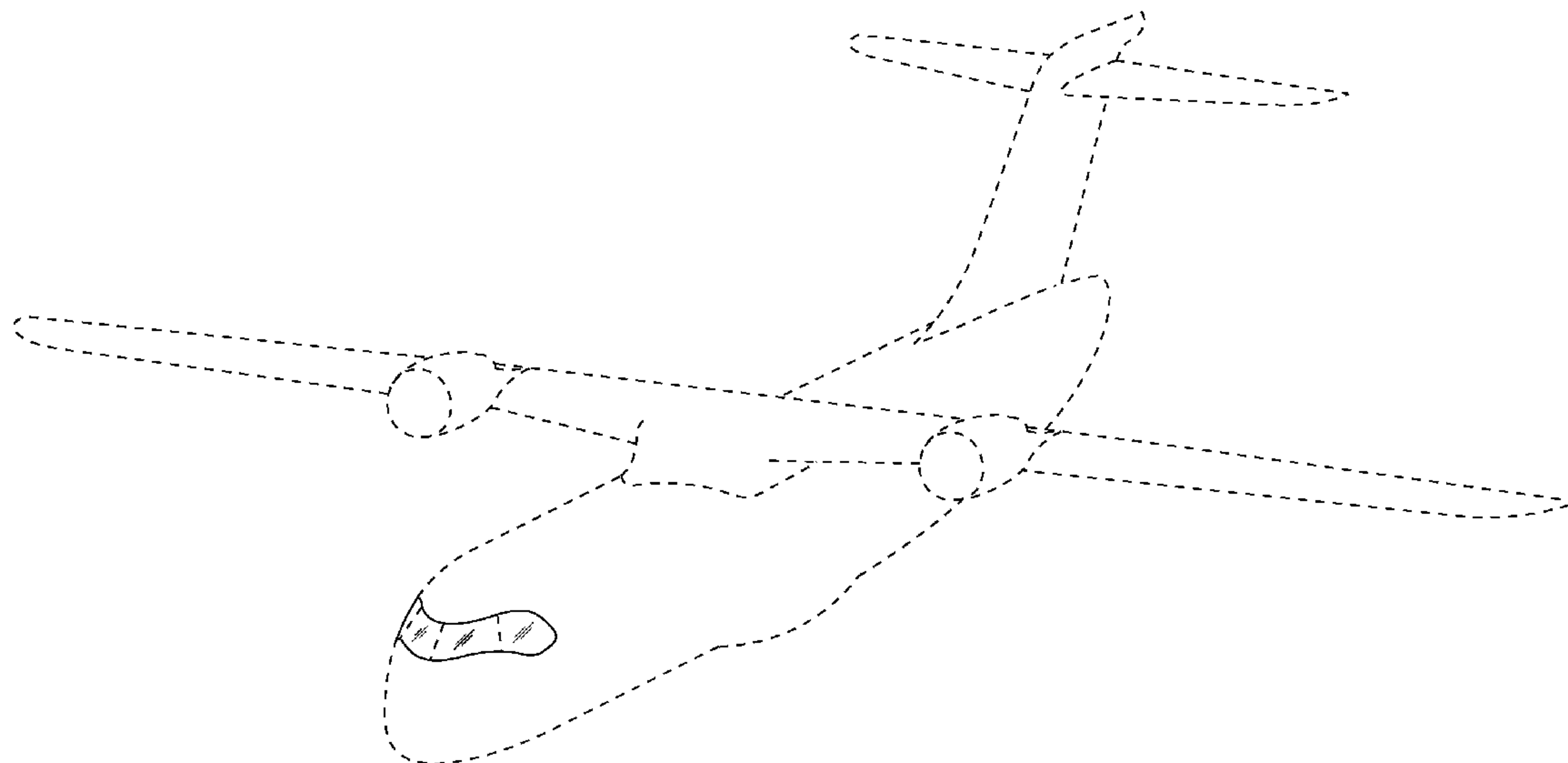




FIG. 1



FIG. 2

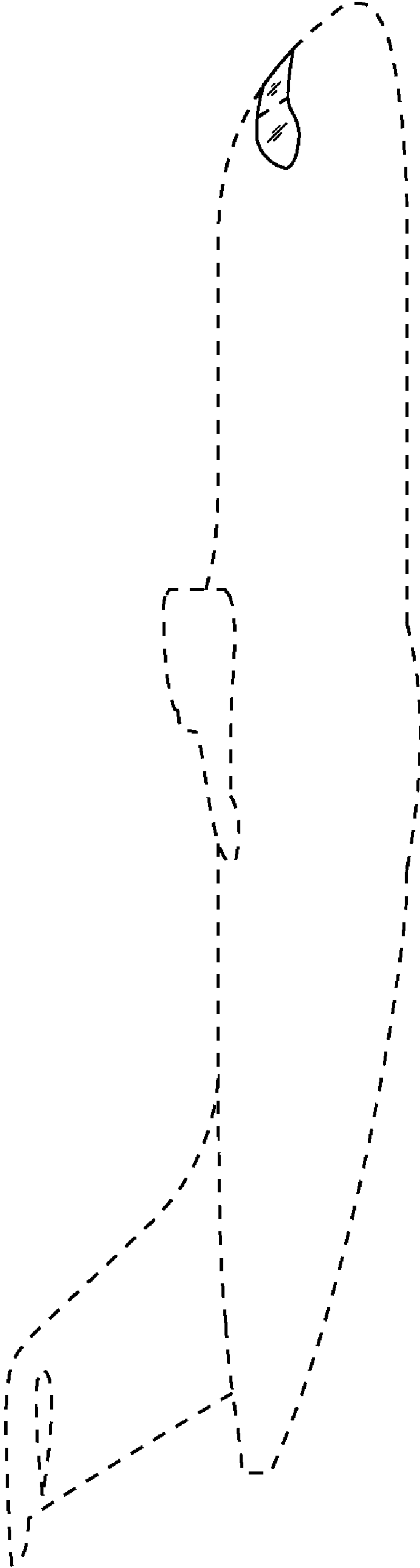


FIG. 3

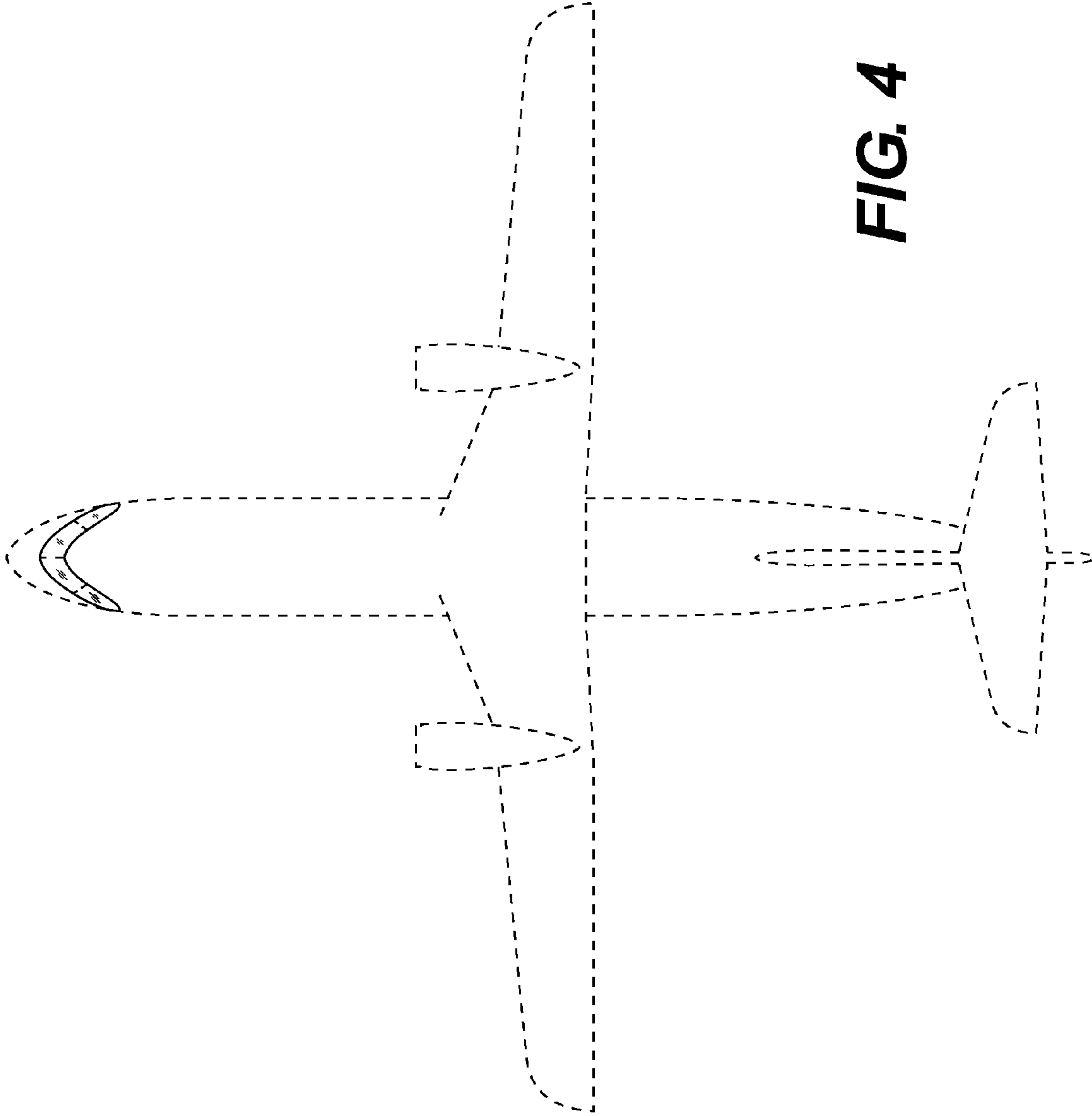


FIG. 4

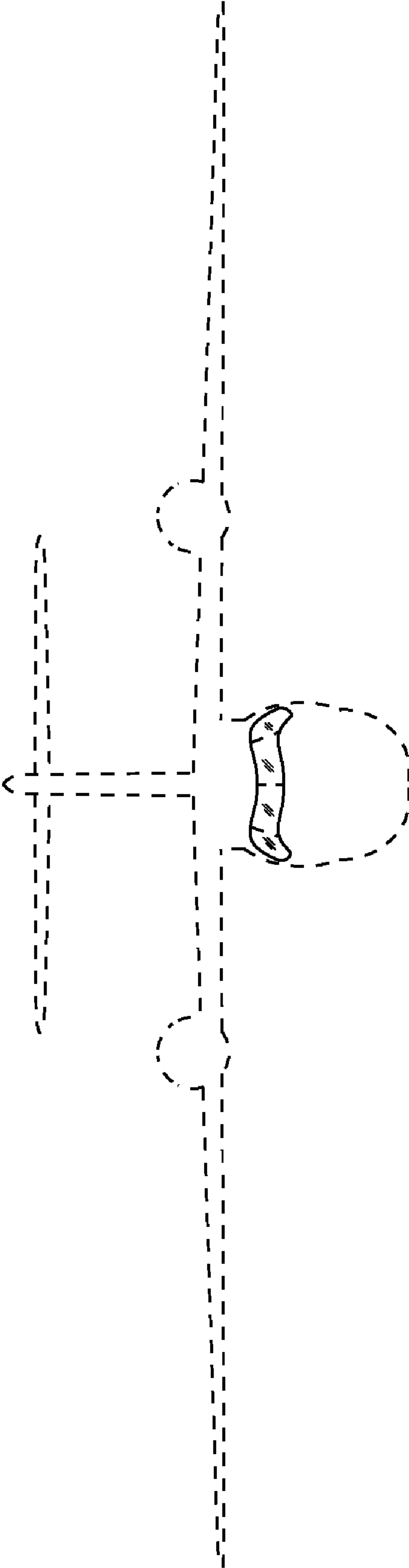


FIG. 5