



US00D624864S

(12) **United States Design Patent**  
**Makino**

(10) **Patent No.:** **US D624,864 S**  
(45) **Date of Patent:** **\*\* Oct. 5, 2010**

(54) **FUEL TANK FOR MULTIPURPOSE ENGINE**

(75) Inventor: **Satoshi Makino**, Shizuoka-ken (JP)

(73) Assignee: **Yamaha Motor Products Kabushiki Kaisha** (JP)

(\*\*) Term: **14 Years**

(21) Appl. No.: **29/342,935**

(22) Filed: **Sep. 3, 2009**

(30) **Foreign Application Priority Data**

Apr. 21, 2009 (JP) ..... 2009-009142

(51) **LOC (9) Cl.** ..... **12-11**

(52) **U.S. Cl.** ..... **D12/218; D15/5**

(58) **Field of Classification Search** ..... D12/218;  
D15/1, 3, 5, 17, 28; 220/4.14, 562-564;  
123/516, 518-520

See application file for complete search history.

(56) **References Cited**

**U.S. PATENT DOCUMENTS**

- 2,693,789 A \* 11/1954 Lechtenberg ..... 123/195 R
- 3,286,871 A \* 11/1966 Eberline ..... 220/4.14
- 5,547,096 A \* 8/1996 Kley ..... 220/4.14
- D379,995 S \* 6/1997 Gilmore ..... D15/1
- 5,937,819 A \* 8/1999 Kouchi et al. .... 123/198 E
- 6,179,145 B1 \* 1/2001 Roth ..... 220/4.14
- D503,723 S \* 4/2005 Giddens ..... D15/1
- D516,580 S \* 3/2006 Li ..... D15/1

- D521,024 S \* 5/2006 Giddens ..... D15/1
- D529,046 S \* 9/2006 Maeda et al. .... D15/1
- D604,686 S \* 11/2009 Yan et al. .... D12/218
- 2009/0302610 A1 \* 12/2009 Kanai et al. .... 290/47

\* cited by examiner

*Primary Examiner*—Philip S Hyder

*Assistant Examiner*—Linda G. Brooks

(74) *Attorney, Agent, or Firm*—Ostrolenk Faber LLP

(57) **CLAIM**

The ornamental design for a fuel tank for multipurpose engine, as shown and described.

**DESCRIPTION**

FIG. 1 is a left side, front perspective view of a fuel tank for multipurpose engine showing my new design;

FIG. 2 is a right side, rear perspective view thereof;

FIG. 3 is a front view thereof;

FIG. 4 is a rear view thereof;

FIG. 5 is a left side view thereof;

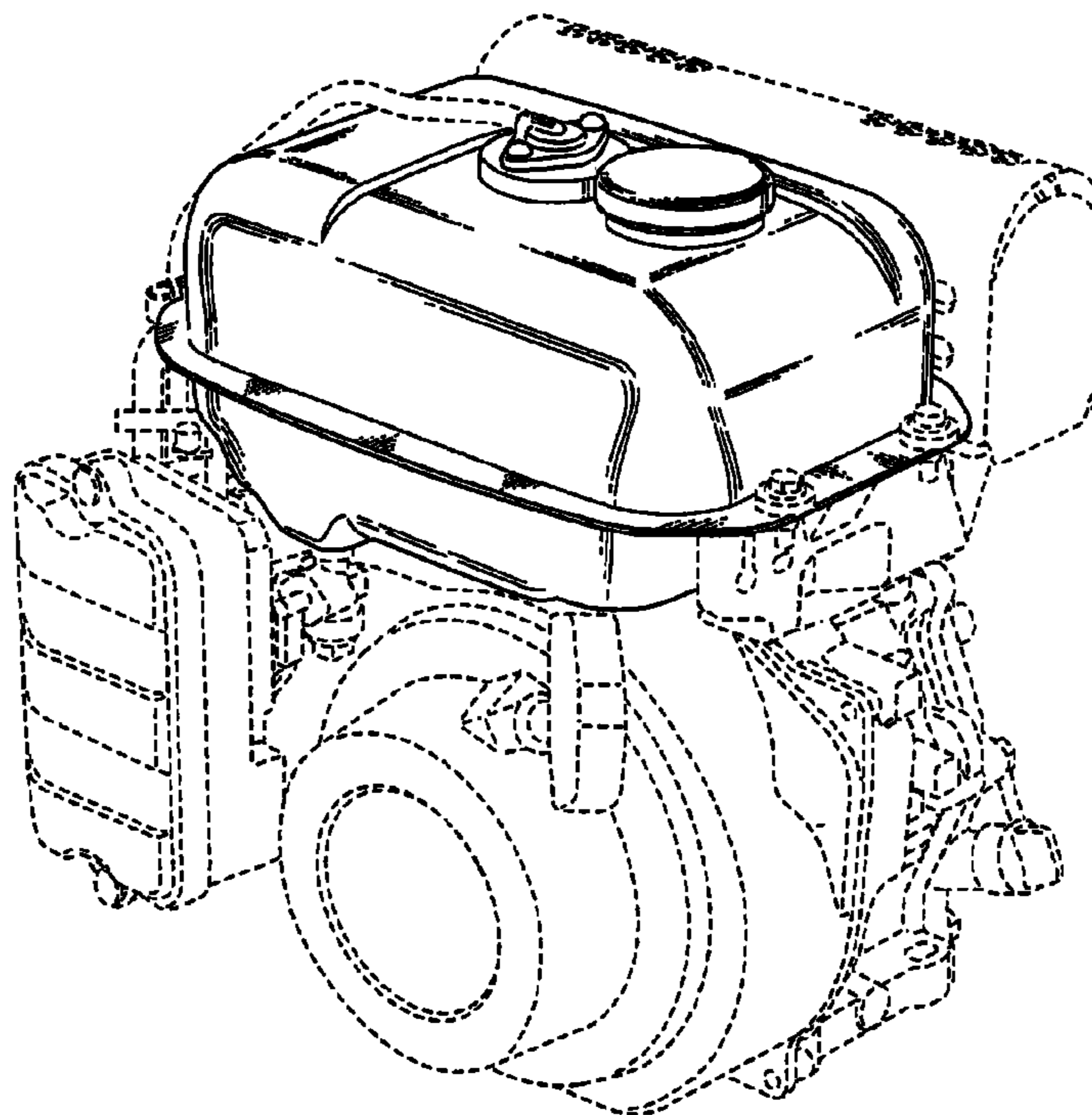
FIG. 6 is a right side view thereof;

FIG. 7 is a top view thereof; and,

FIG. 8 is a bottom view thereof.

The broken line showing of environmental material is for illustrative purposes only and forms no part of the claimed design.

**1 Claim, 8 Drawing Sheets**



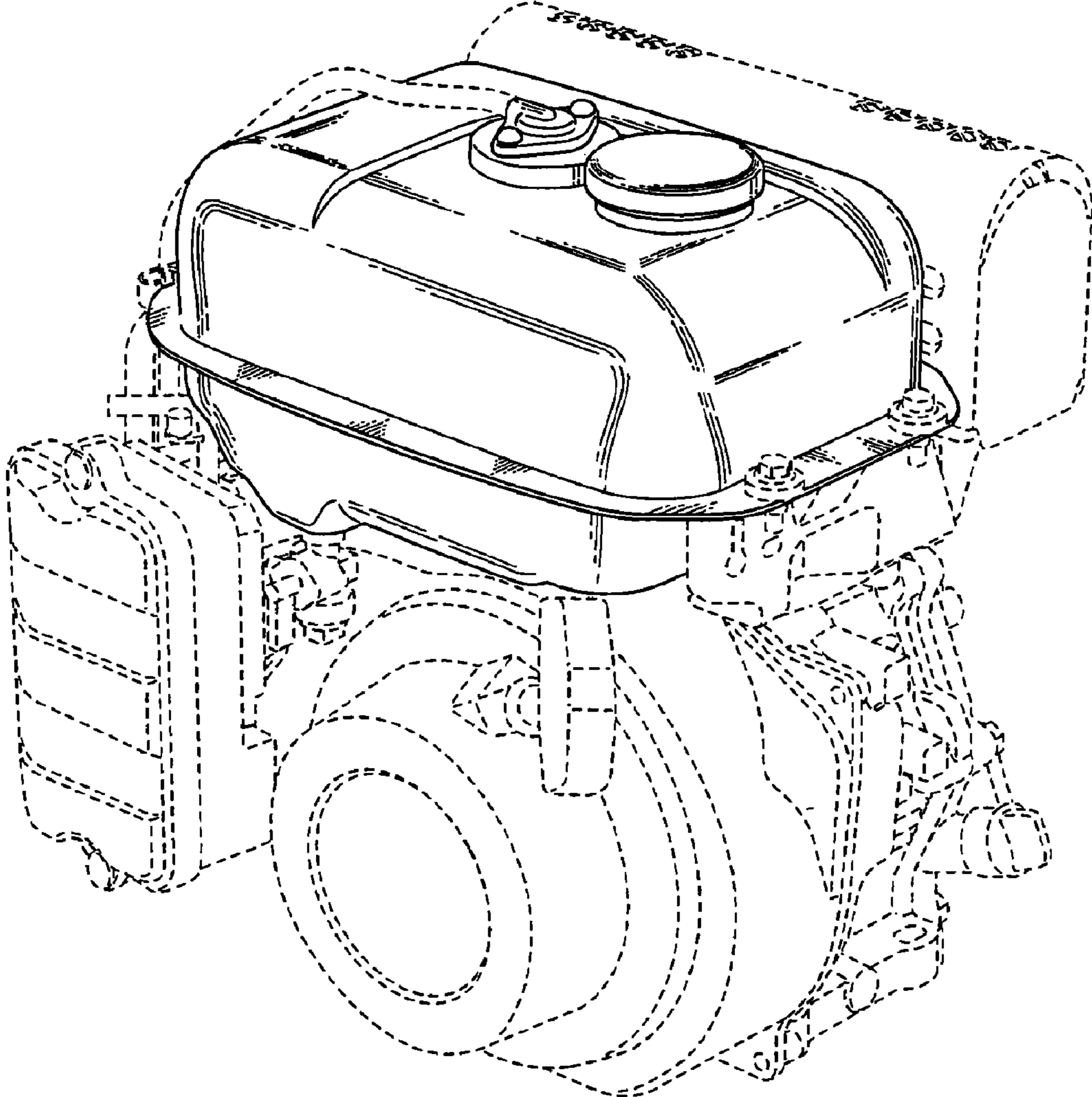


FIG. 1

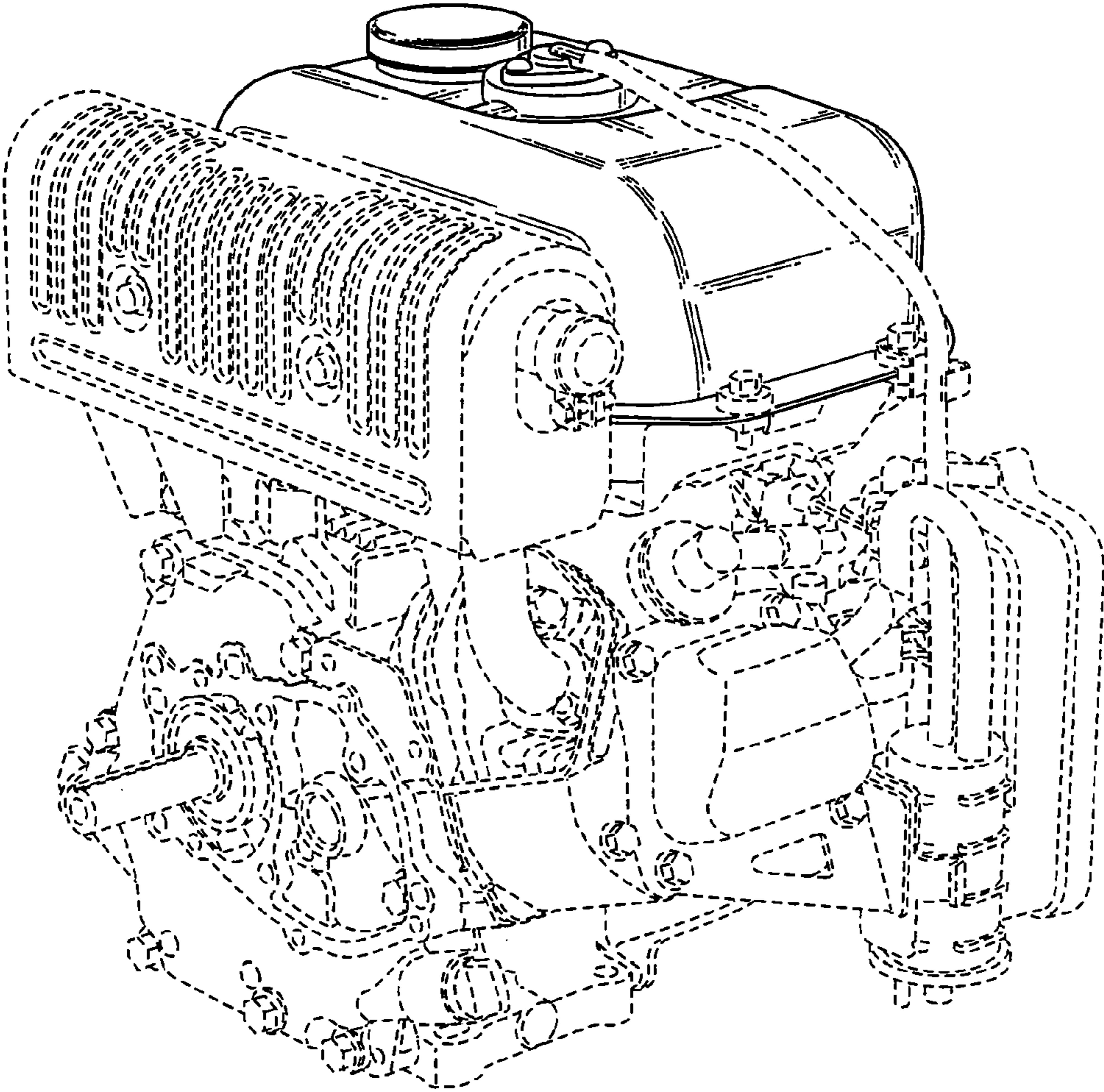


FIG. 2

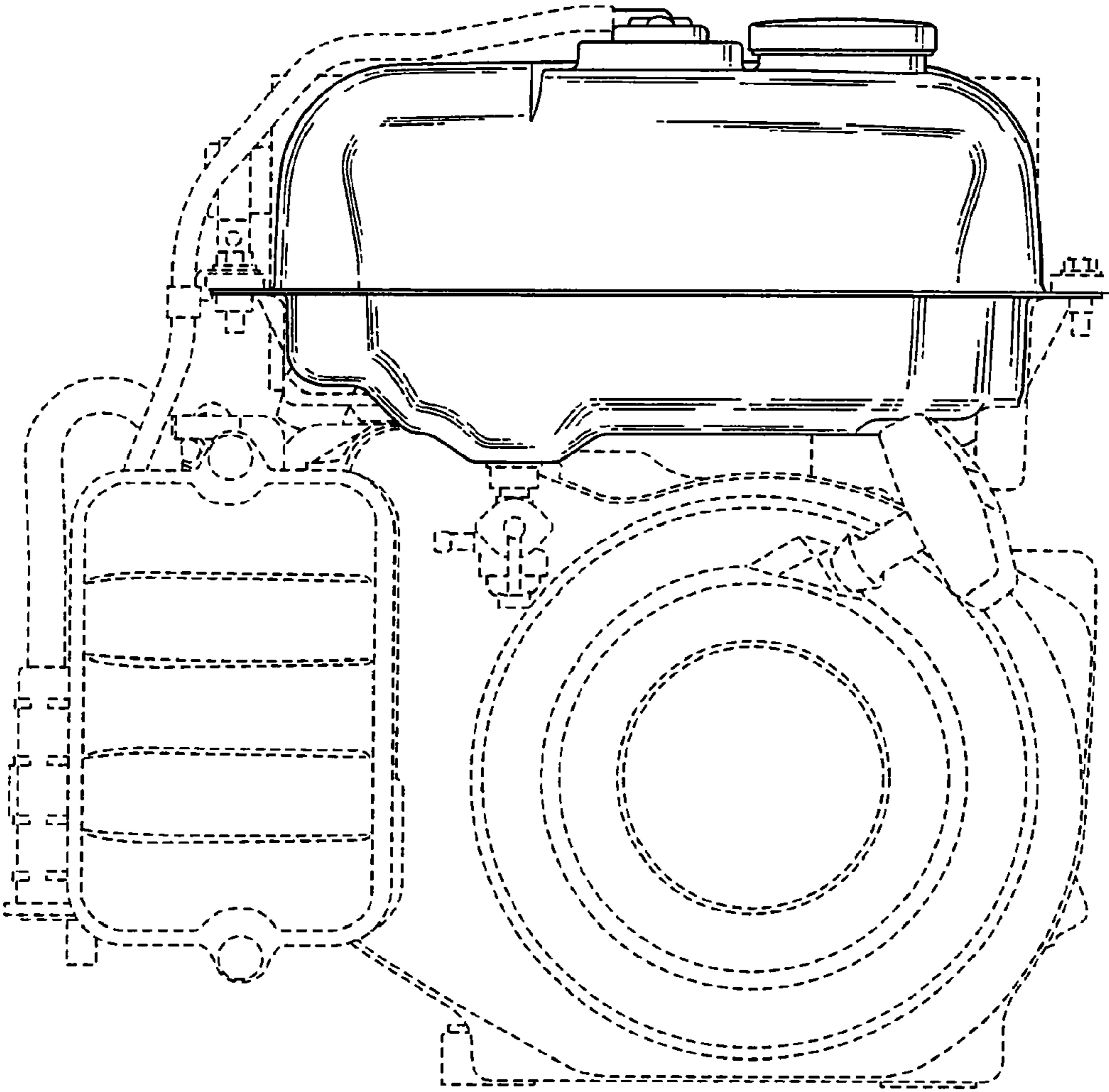


FIG. 3

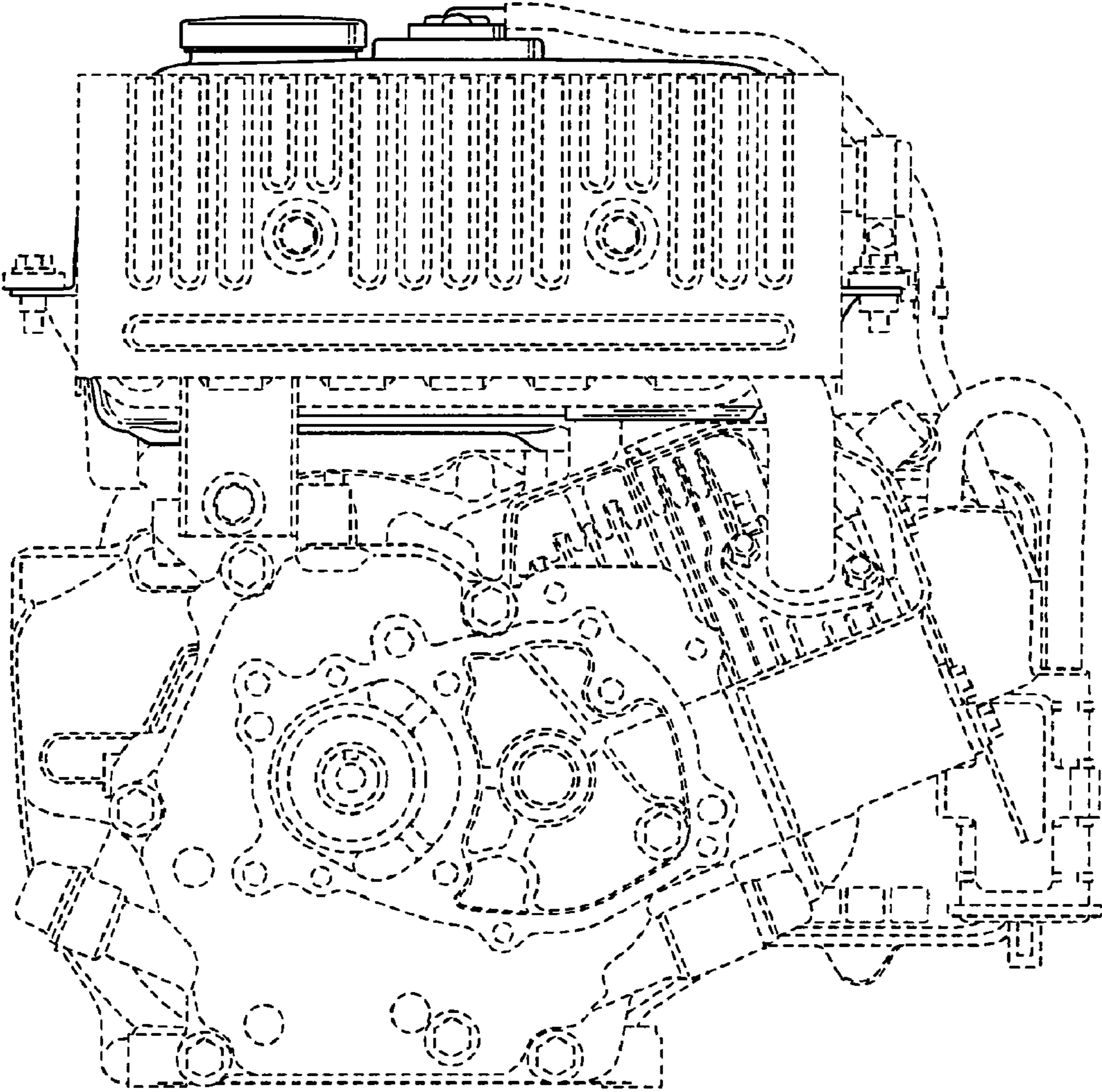


FIG. 4

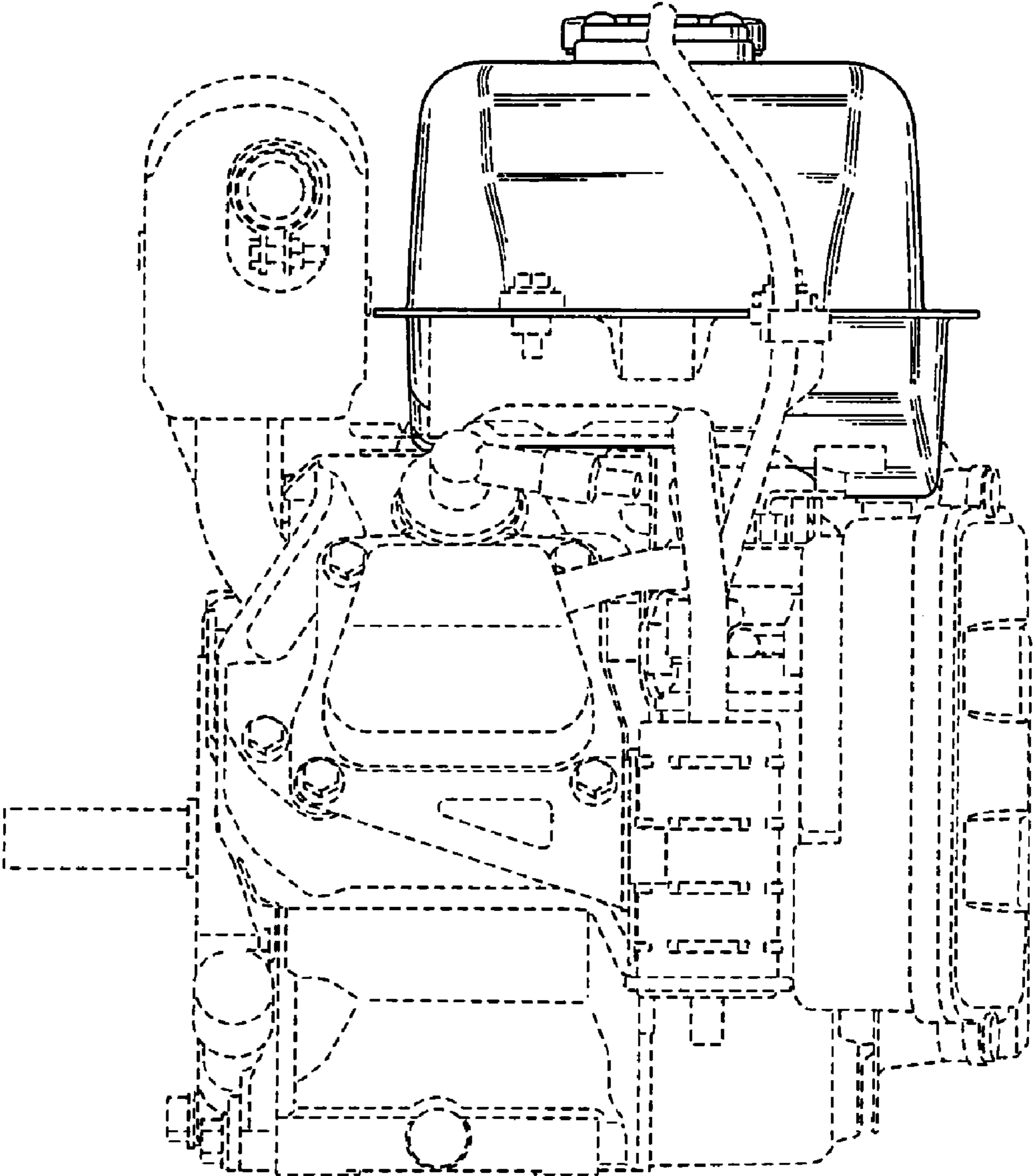


FIG. 5

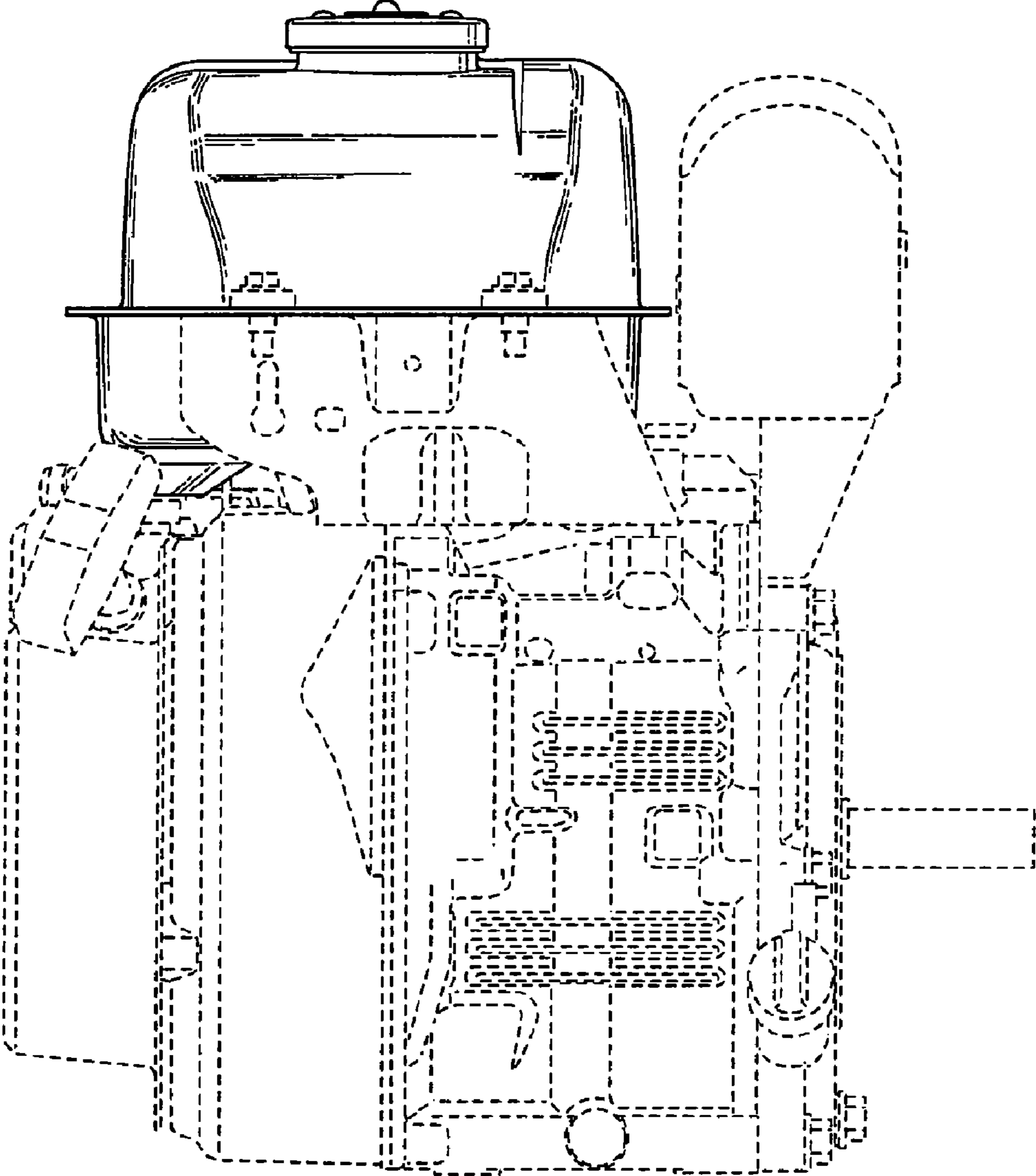


FIG. 6

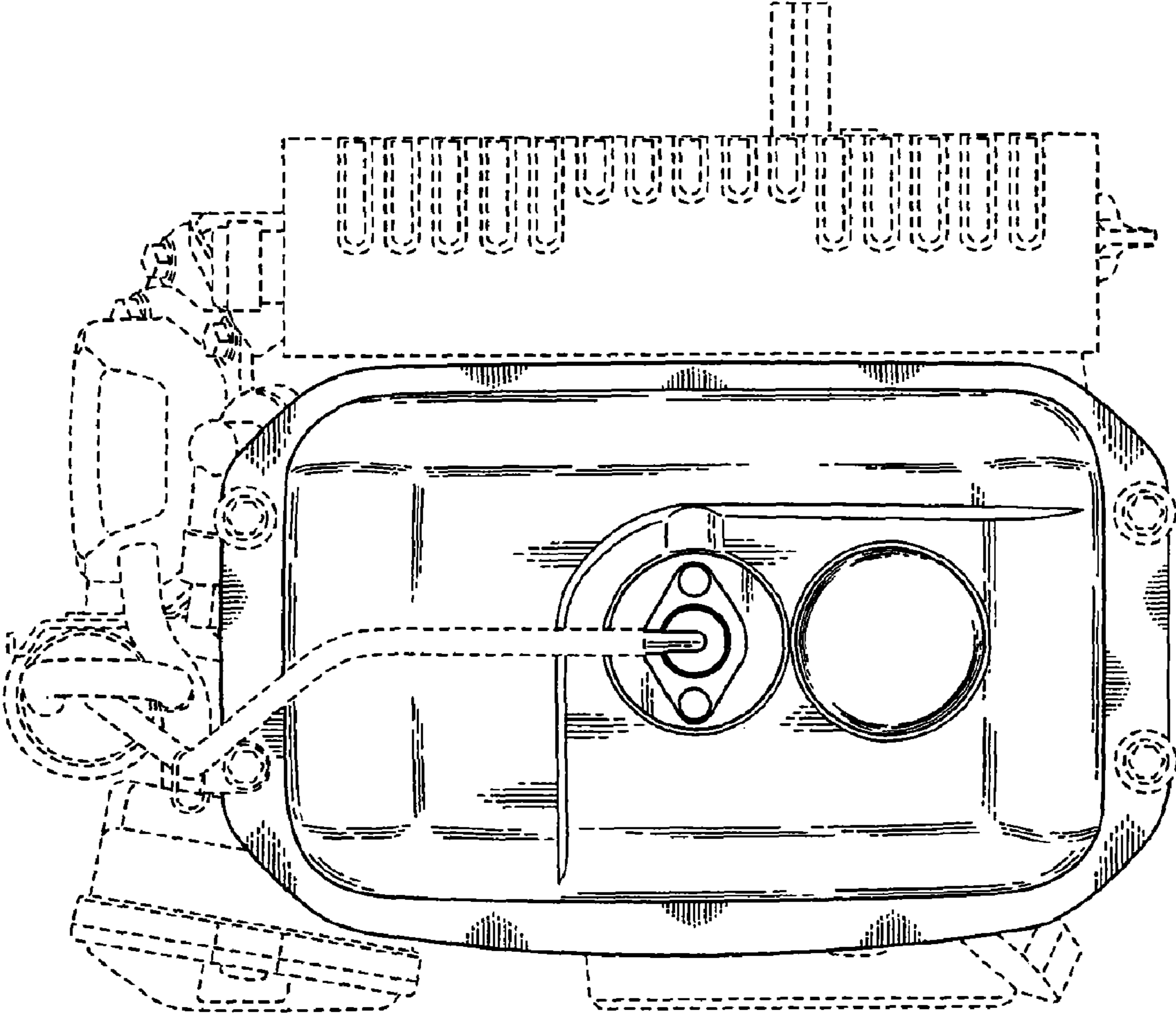


FIG. 7



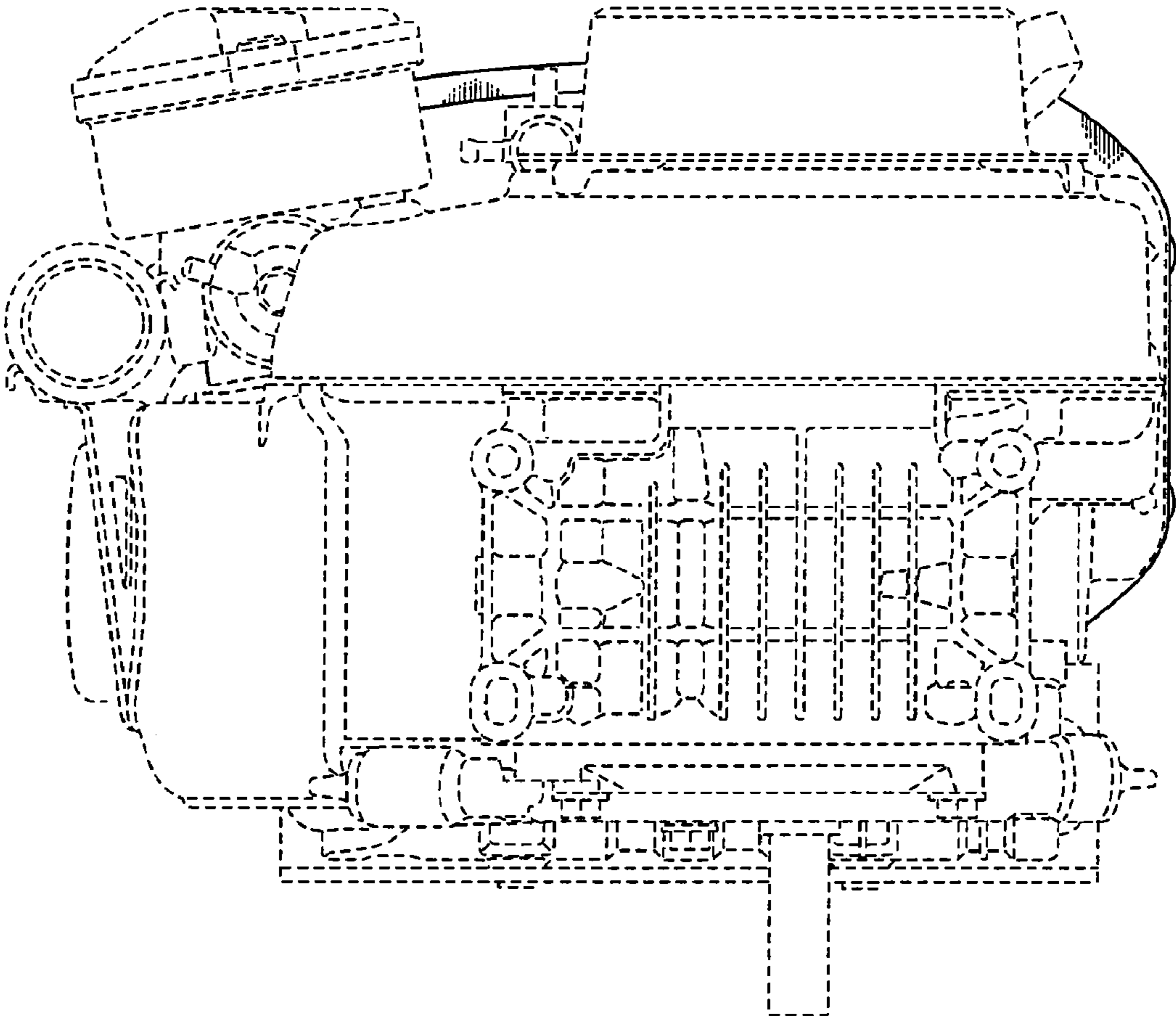


FIG. 8