



US00D624863S

(12) **United States Design Patent**  
**Zhao**

(10) **Patent No.:** **US D624,863 S**

(45) **Date of Patent:** **\*\* Oct. 5, 2010**

(54) **FRONT FACE OF A VEHICLE WHEEL**

(76) Inventor: **John Zhao**, 283 E. Garvey Ave.,  
Monterey Park, CA (US) 91755

(\*\*) Term: **14 Years**

(21) Appl. No.: **29/355,272**

(22) Filed: **Feb. 4, 2010**

(51) **LOC (9) Cl.** ..... **12-16**

(52) **U.S. Cl.** ..... **D12/211**

(58) **Field of Classification Search** ..... D12/204–213;  
301/37.101, 64.101, 65, 64.201

See application file for complete search history.

(56) **References Cited**

**U.S. PATENT DOCUMENTS**

D470,812 S	*	2/2003	Chu	.....	D12/211
D495,649 S	*	9/2004	Schell et al.	.....	D12/209
D500,720 S	*	1/2005	Chung	.....	D12/209
D505,905 S	*	6/2005	Walbey, Jr.	.....	D12/209
D508,885 S	*	8/2005	Marji	.....	D12/209
D529,430 S	*	10/2006	Hsu	.....	D12/209
D543,493 S	*	5/2007	Kim	.....	D12/209
D548,165 S	*	8/2007	Young	.....	D12/211
D550,139 S	*	9/2007	Plumer	.....	D12/209
D551,148 S	*	9/2007	Musser	.....	D12/211
D569,778 S	*	5/2008	Kim	.....	D12/211
D573,933 S	*	7/2008	Young	.....	D12/209

D578,458 S	*	10/2008	Cortes	.....	D12/211
D582,334 S	*	12/2008	Fournier	.....	D12/211
D582,829 S	*	12/2008	Musser	.....	D12/211
D582,831 S	*	12/2008	Musser	.....	D12/211
D586,715 S	*	2/2009	Cortes	.....	D12/211
D590,315 S	*	4/2009	Chung	.....	D12/209
D594,803 S	*	6/2009	Pollmann	.....	D12/211

\* cited by examiner

*Primary Examiner*—Stacia Cadmus

(74) *Attorney, Agent, or Firm*—Procopio, Cory, Hargreaves  
& Savitch LLP

(57) **CLAIM**

The ornamental design for a front face of a vehicle wheel, as shown and described.

**DESCRIPTION**

FIG. 1 is a perspective view of a front face of a vehicle wheel embodying my new design;

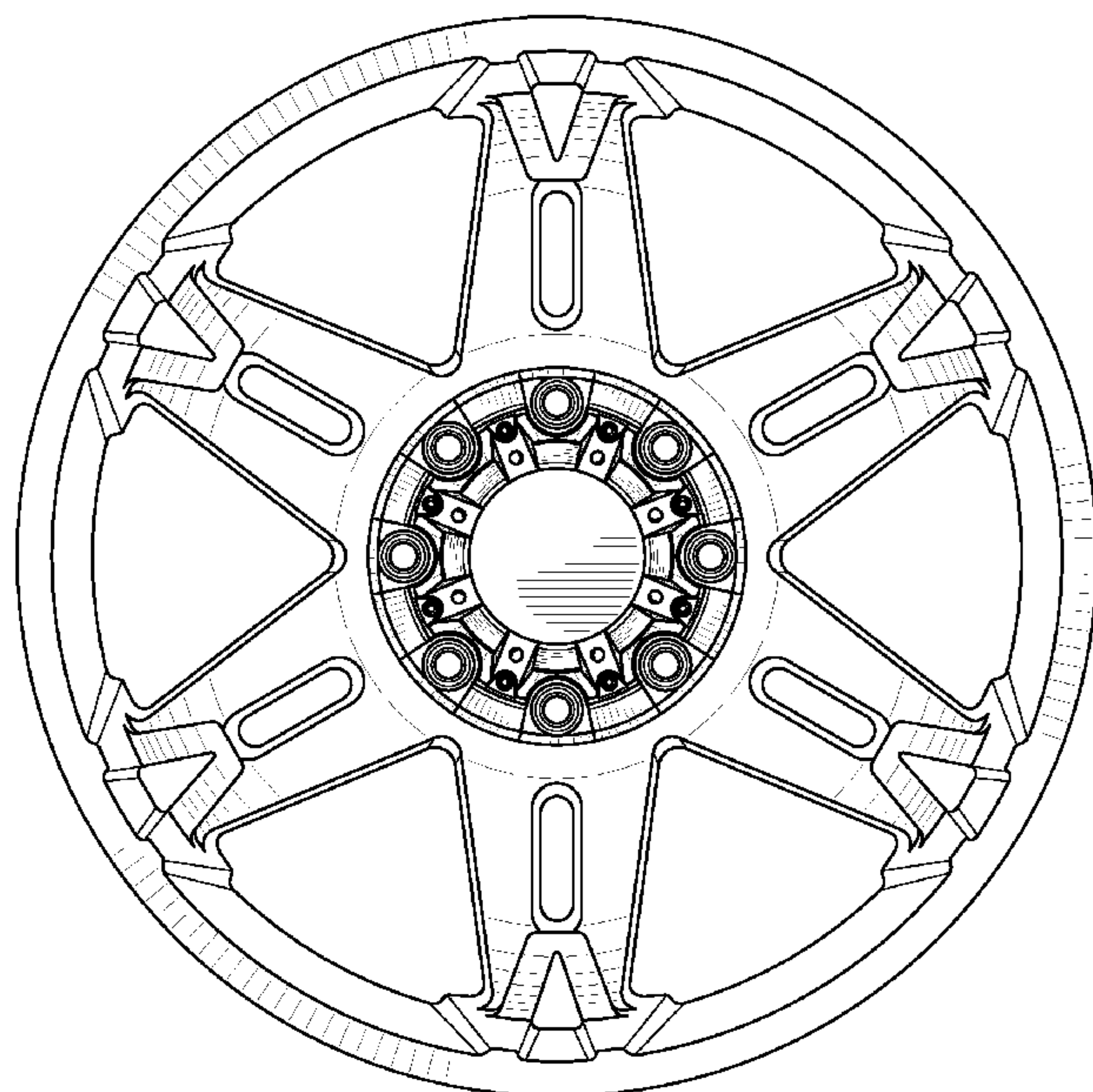
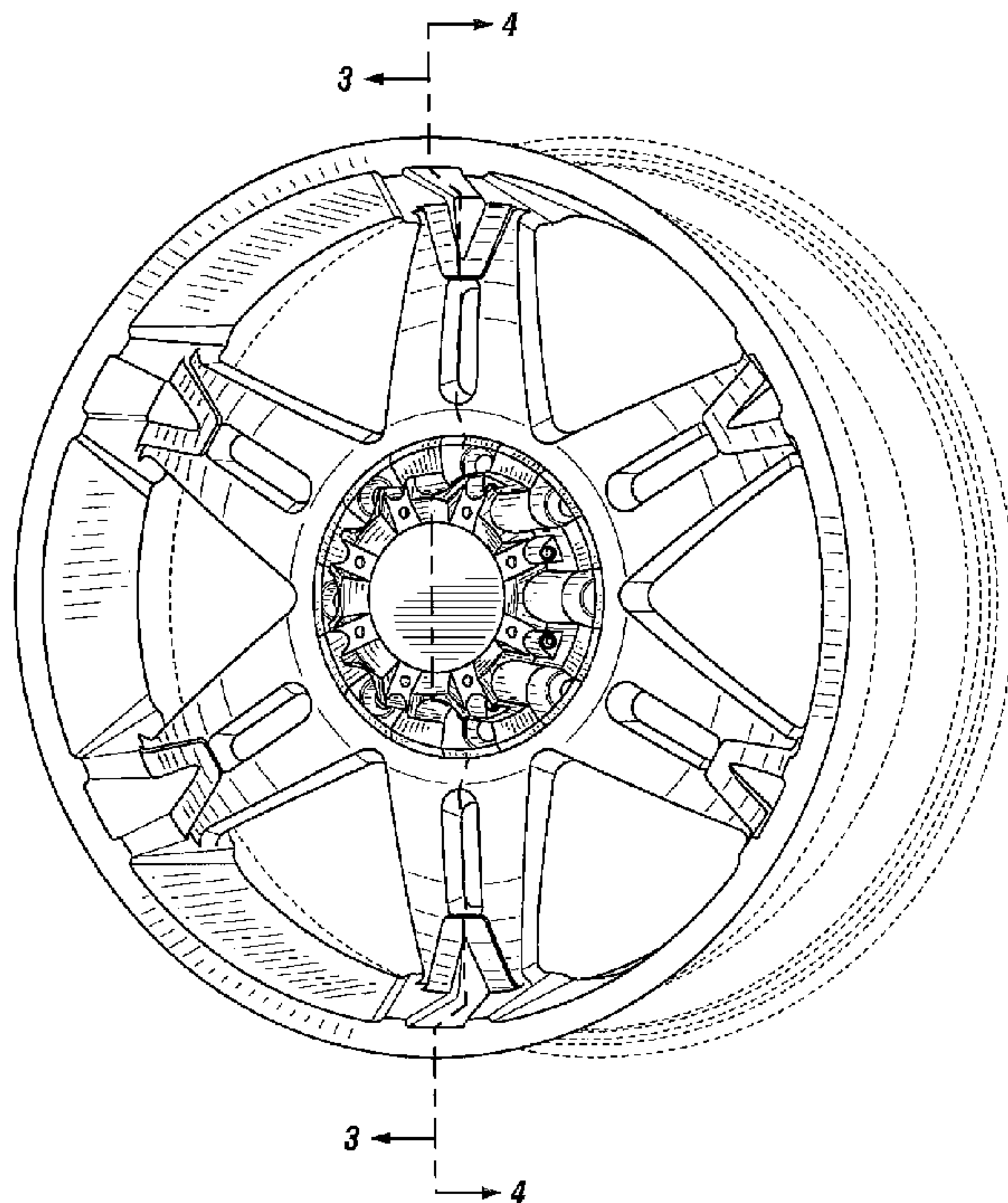
FIG. 2 is a front view thereof;

FIG. 3 is a partial perspective view on an enlarged scale of the front face only along line 3—3 as seen in FIG. 1; and,

FIG. 4 is a partial perspective view on the same enlarged scale on line 4—4 of the front face only as seen in FIG. 1.

The broken lines are for illustrative purposes only and form no part of the claimed design.

**1 Claim, 4 Drawing Sheets**



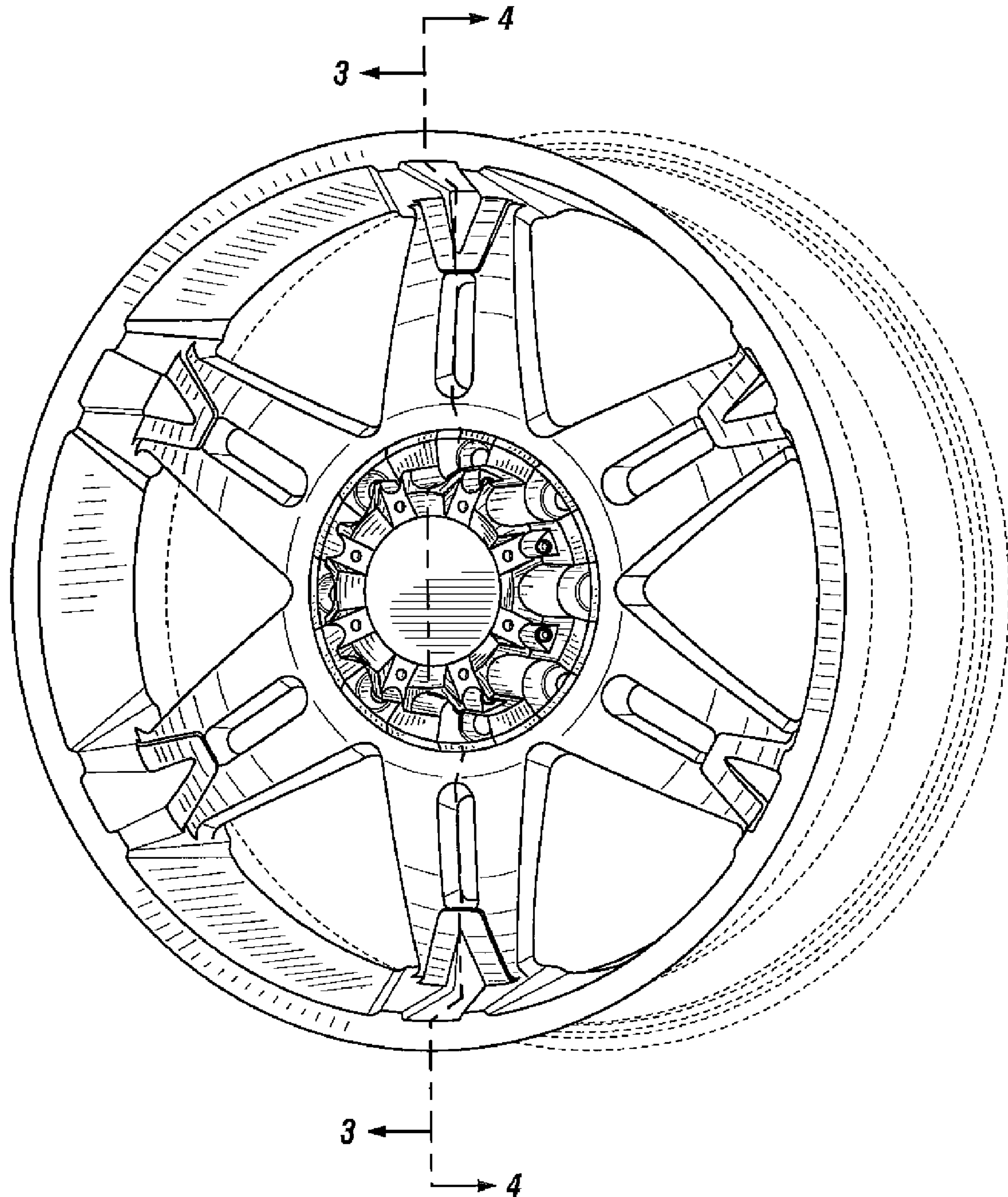
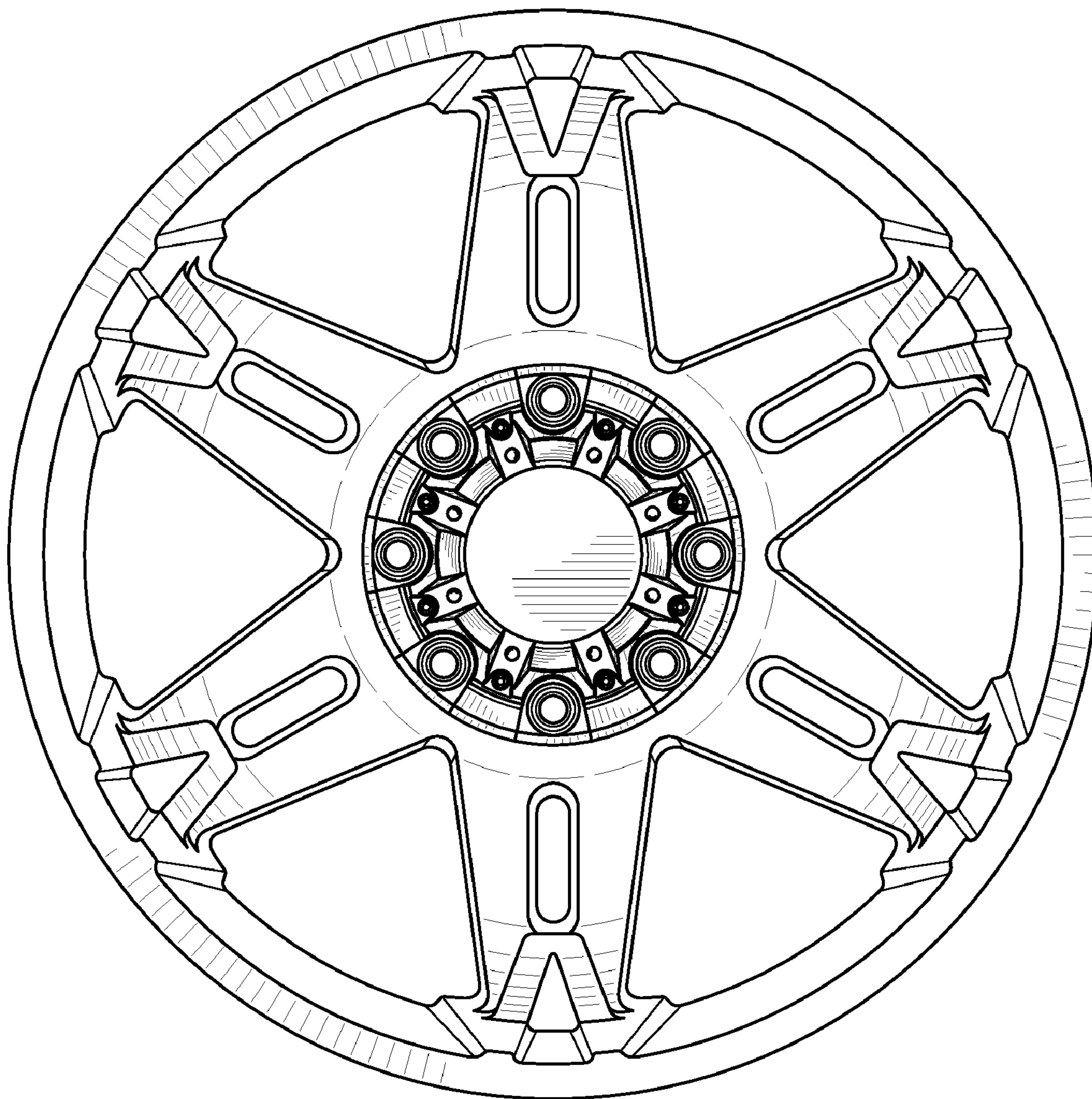


FIG. 1





**FIG. 2**

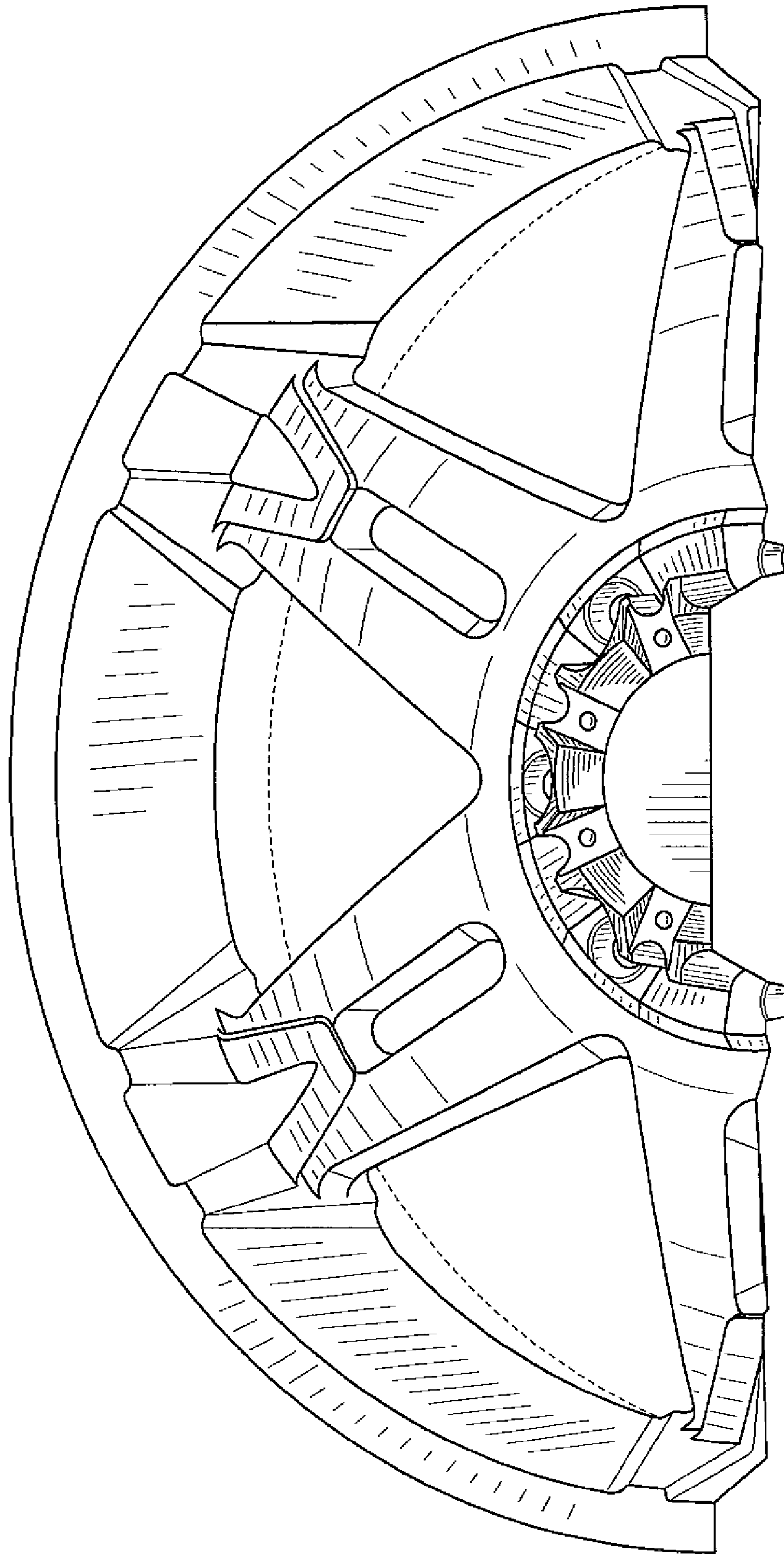


FIG. 3

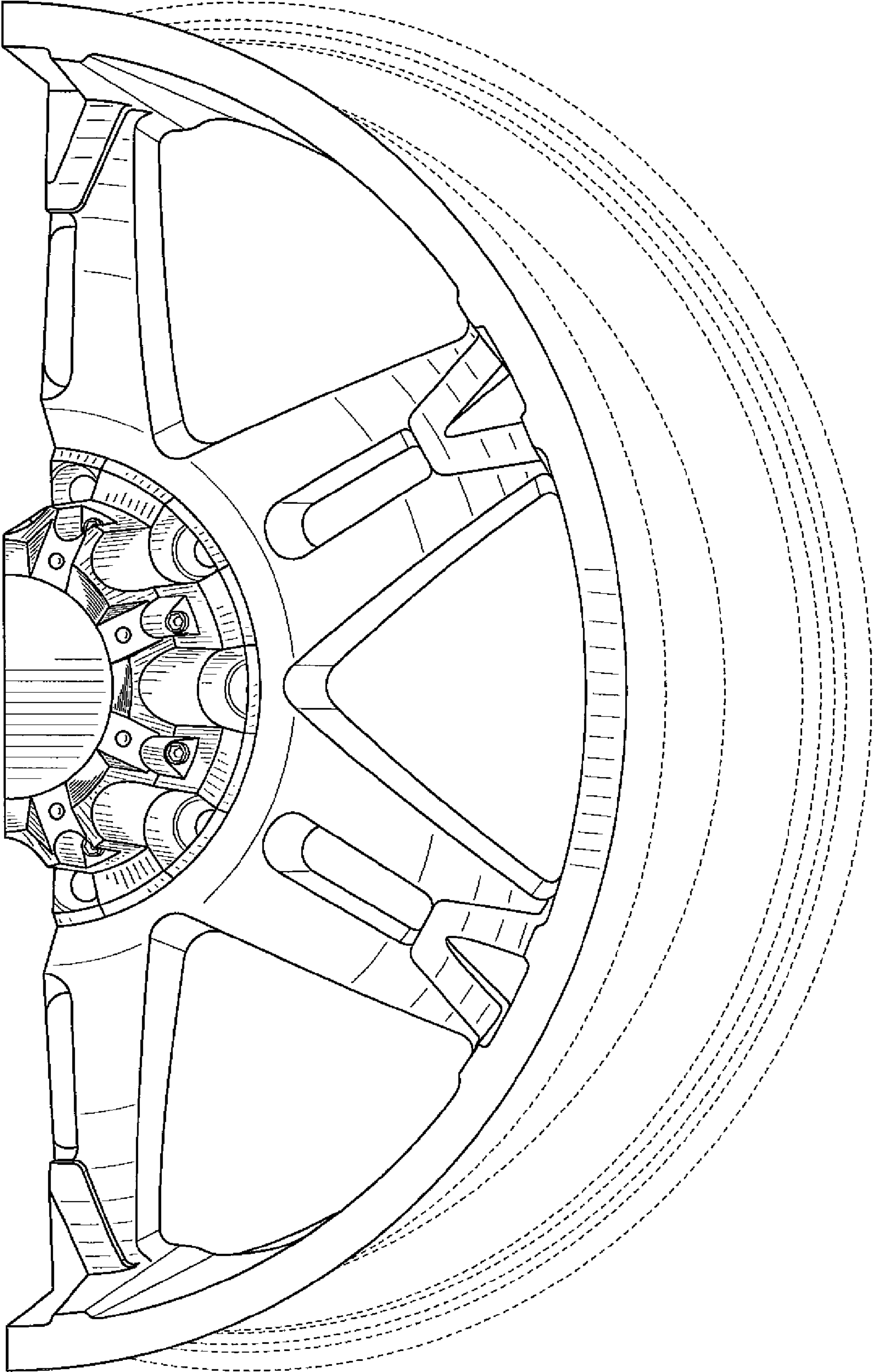


FIG. 4