



US00D624861S

(12) **United States Design Patent**
Zhao

(10) **Patent No.:** **US D624,861 S**

(45) **Date of Patent:** **** Oct. 5, 2010**

(54) **FRONT FACE OF A VEHICLE WHEEL**

(76) Inventor: **John Zhao**, 283 E. Garvey Ave.,
Monterey Park, CA (US) 91755

(**) Term: **14 Years**

(21) Appl. No.: **29/357,178**

(22) Filed: **Mar. 8, 2010**

(51) **LOC (9) Cl.** **12-16**

(52) **U.S. Cl.** **D12/209**

(58) **Field of Classification Search** D12/204-213;
301/37.101, 64.101, 65, 64.201
See application file for complete search history.

(56) **References Cited**

U.S. PATENT DOCUMENTS

D286,037 S *	10/1986	Walter	D12/211
D410,617 S *	6/1999	Hussaini et al.	D12/209
D427,558 S *	7/2000	Neeper	D12/211
D493,403 S *	7/2004	Kataoka	D12/209
D496,318 S *	9/2004	Cheng	D12/209
D496,622 S *	9/2004	Cheng	D12/209
D500,723 S *	1/2005	Alimchandani	D12/209

D528,063 S *	9/2006	Schell	D12/211
D528,493 S *	9/2006	Stacy	D12/209
D533,495 S *	12/2006	Arora	D12/209
D560,585 S *	1/2008	Blasi	D12/209
D567,735 S *	4/2008	Young	D12/209
D592,579 S *	5/2009	Tirado	D12/209

* cited by examiner

Primary Examiner—Stacia Cadmus

(74) *Attorney, Agent, or Firm*—Procopio, Cory, Hargreaves & Savitch LLP

(57) **CLAIM**

The ornamental design for a front face of a vehicle wheel, as shown and described.

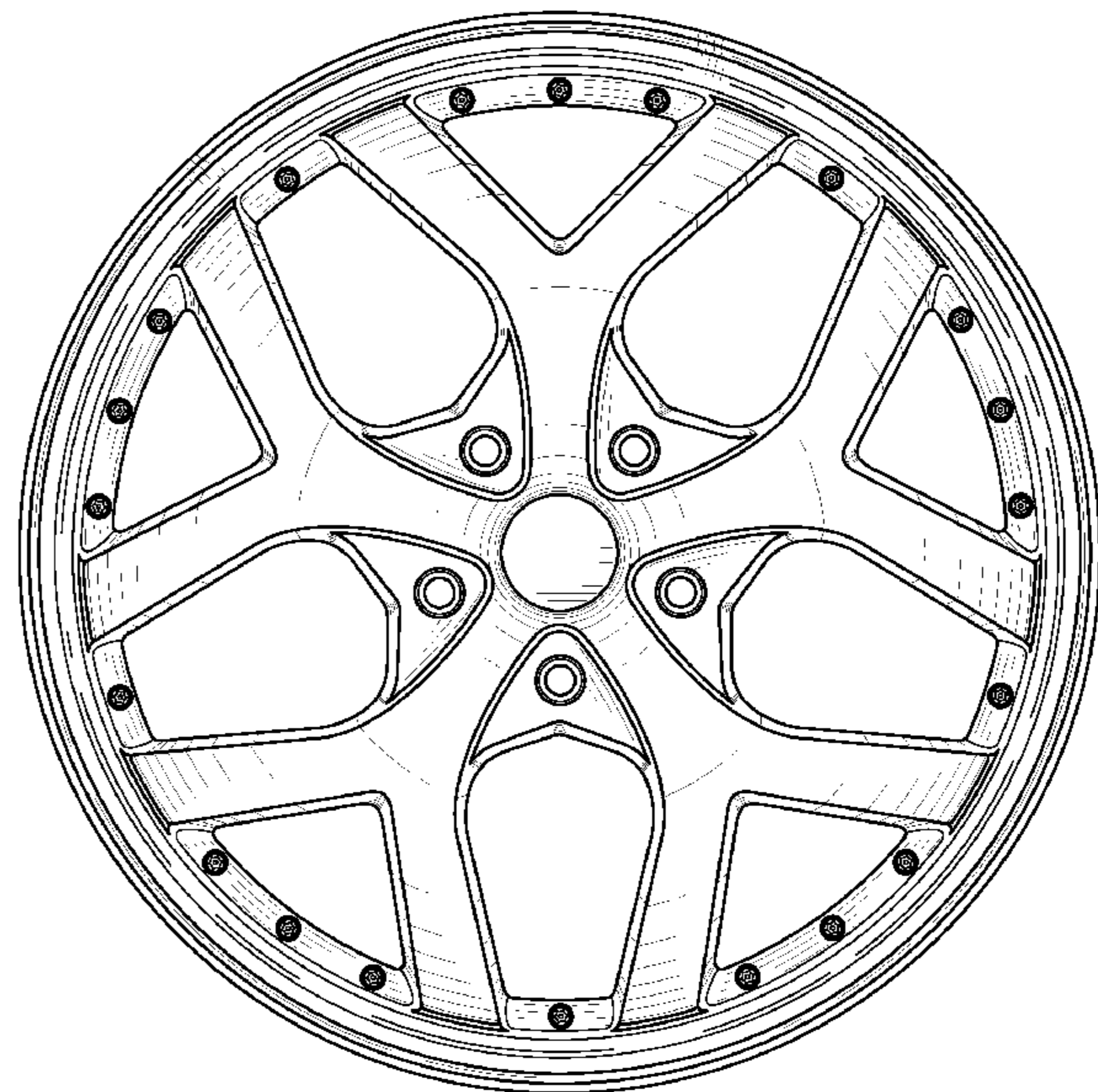
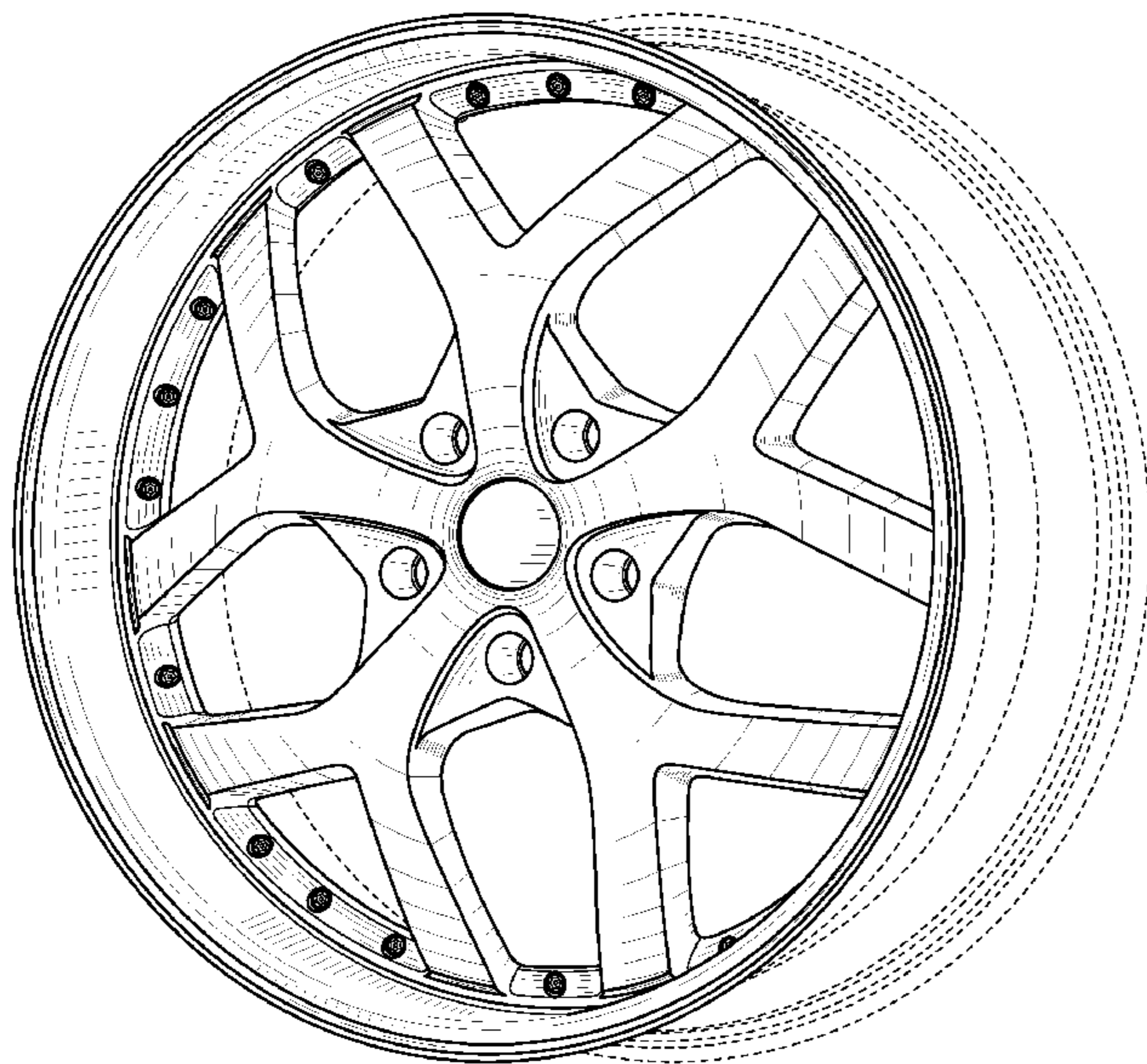
DESCRIPTION

FIG. 1 is a perspective view of a front face of a vehicle wheel embodying my new design; and,

FIG. 2 is a front view thereof.

The broken lines are for illustrative purposes only and form no part of the claimed design.

1 Claim, 2 Drawing Sheets



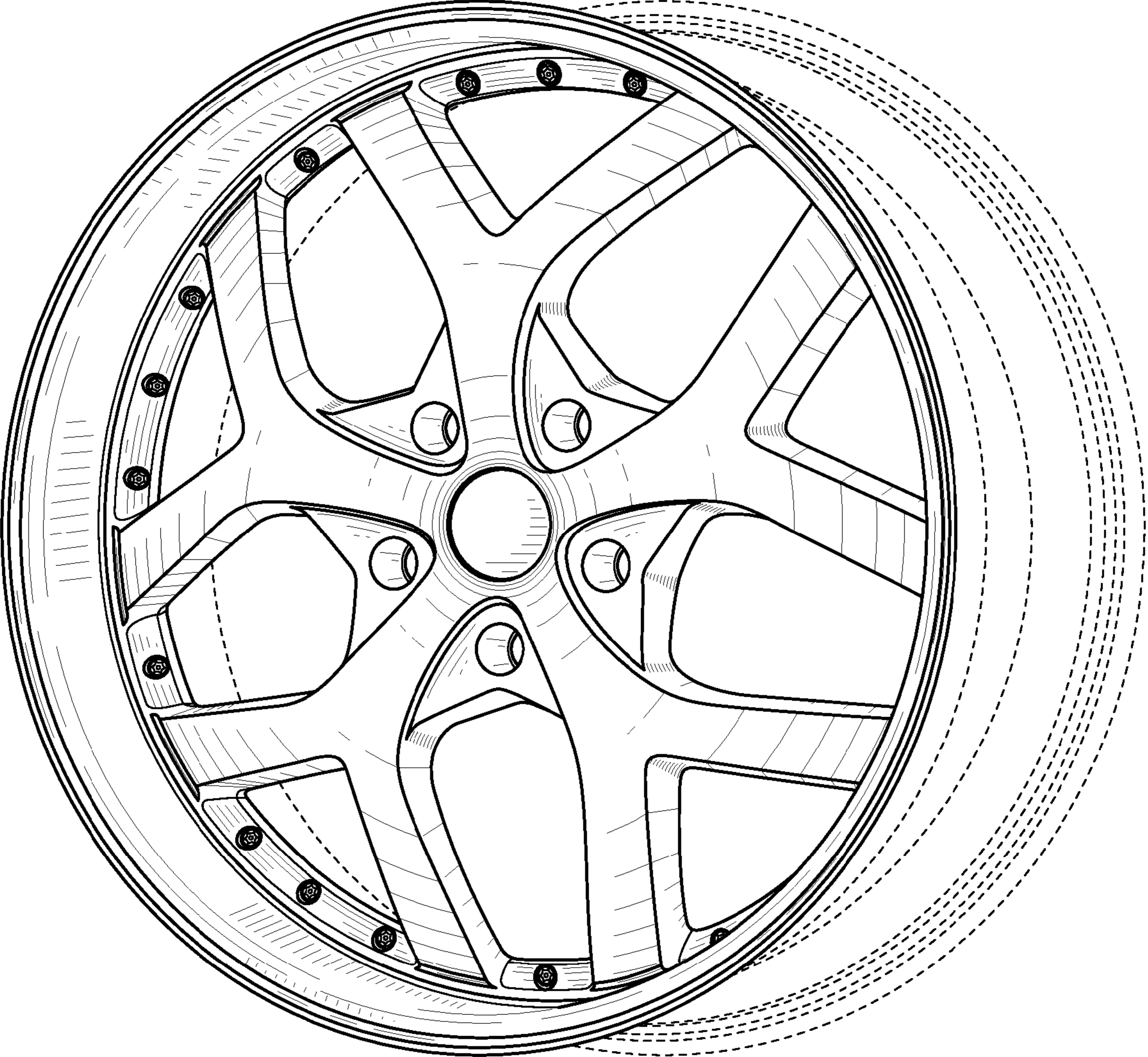


FIG. 1

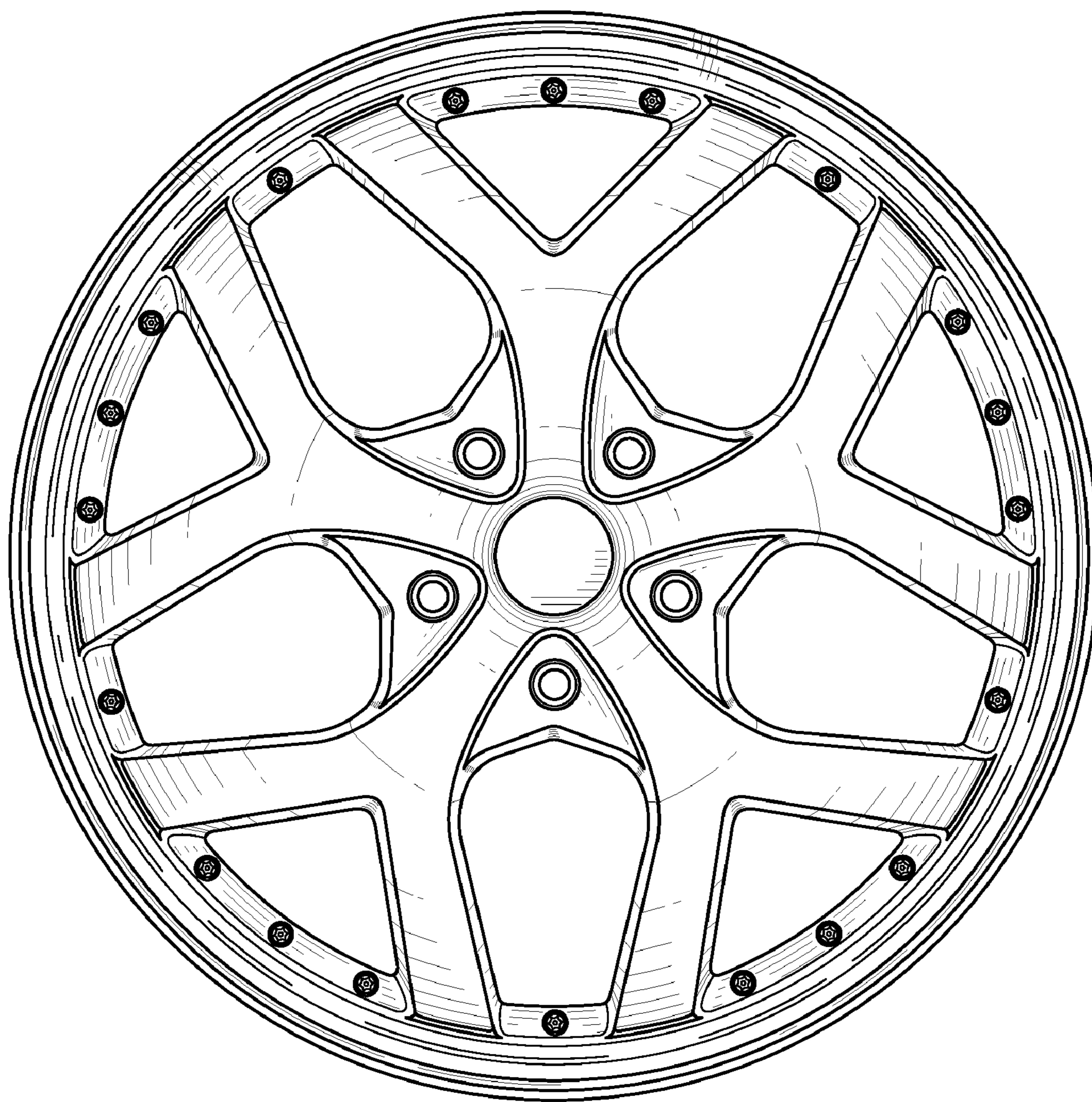


FIG. 2