



US00D624859S

(12) **United States Design Patent**
Kahan et al.

(10) **Patent No.:** **US D624,859 S**
(45) **Date of Patent:** **** Oct. 5, 2010**

(54) **FRICITION LINING FOR A BRAKE PAD**

(75) Inventors: **Stewart Kahan**, Cornwall (CA); **Ken Schouten**, Cornwall (CA)

(73) Assignee: **Satisfied Brake Products Inc.**, Cornwall (CA)

(**) Term: **14 Years**

(21) Appl. No.: **29/344,982**

(22) Filed: **Oct. 7, 2009**

(30) **Foreign Application Priority Data**

Apr. 8, 2009 (CA) 130271

(51) **LOC (9) Cl.** **12-16**

(52) **U.S. Cl.** **D12/180**

(58) **Field of Classification Search** D12/180;
188/71.1, 73.3, 73.31-73.39, 72.2, 72.4,
188/73.41-73.46, 218 XL, 370, 1.11 W, 264 A,
188/264 AA, 18 A; 192/169.2, 169.3, 107 R,
192/113.36

See application file for complete search history.

(56) **References Cited**

U.S. PATENT DOCUMENTS

2,851,132 A 9/1958 James
D235,630 S 7/1975 Rath
6,109,399 A * 8/2000 Crawford et al. 188/250 B

D597,907 S * 8/2009 Liu et al. D12/180
D603,766 S * 11/2009 Huang D12/180
D612,780 S * 3/2010 Liu et al. D12/180
D618,601 S * 6/2010 Liu et al. D12/180
D619,064 S * 7/2010 Tuthill D12/180
2004/0084258 A1 5/2004 Fujikawa et al.
2006/0191768 A1 8/2006 Epple et al.

FOREIGN PATENT DOCUMENTS

JP 9136256 5/1997

* cited by examiner

Primary Examiner—Melody N Brown

(74) *Attorney, Agent, or Firm*—Banner & Witcoff, Ltd.

(57) **CLAIM**

The ornamental design for a friction lining for a brake pad, as shown and described.

DESCRIPTION

FIG. 1 is a top perspective view of a friction lining for a brake pad showing our new design;

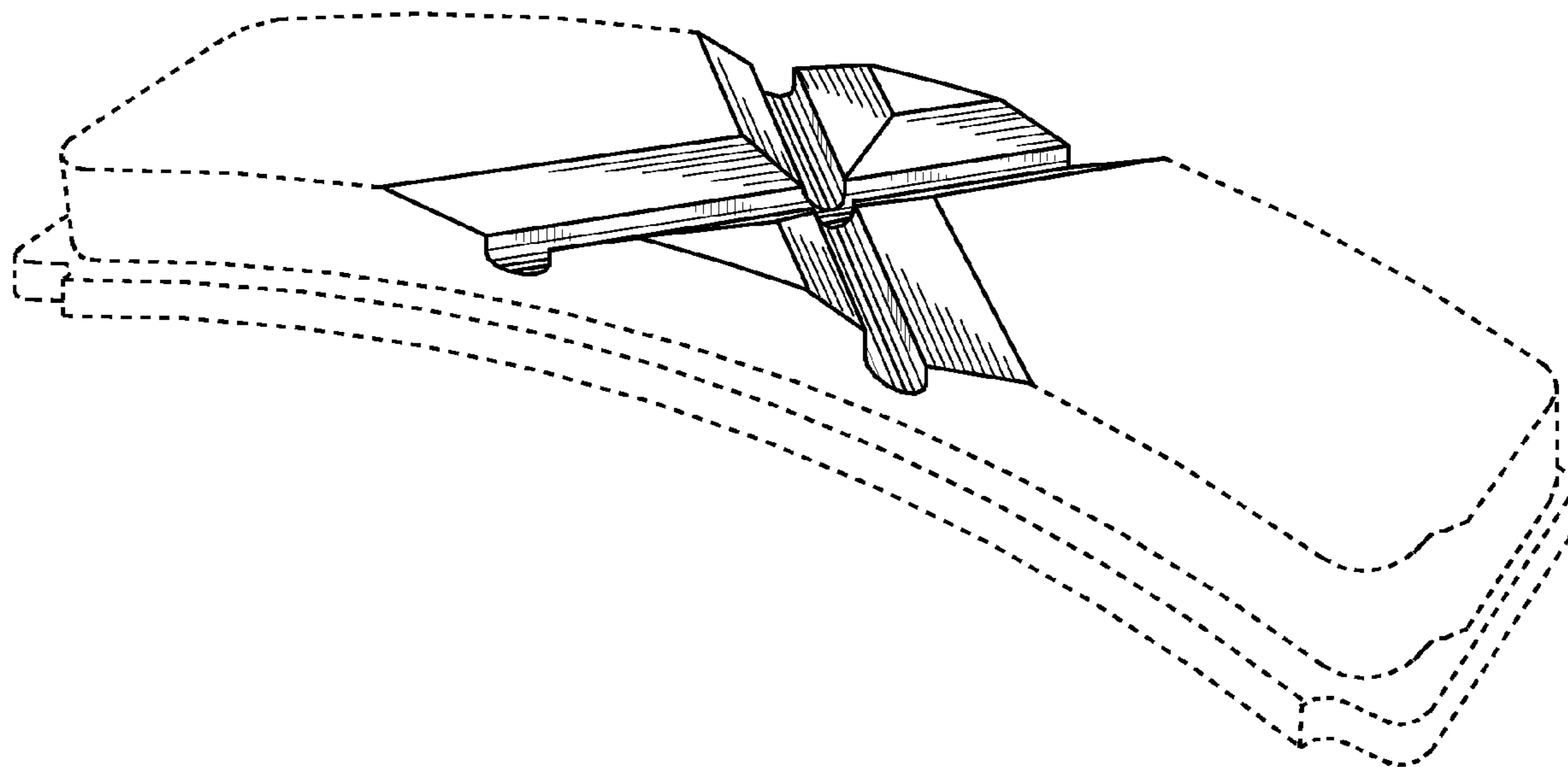
FIG. 2 is a front view thereof;

FIG. 3 is a top view thereof; and,

FIG. 4 is a rear view thereof.

The broken line showing the remainder of the friction lining for a brake pad is for illustrative purposes only and forms no part of the claimed design.

1 Claim, 2 Drawing Sheets



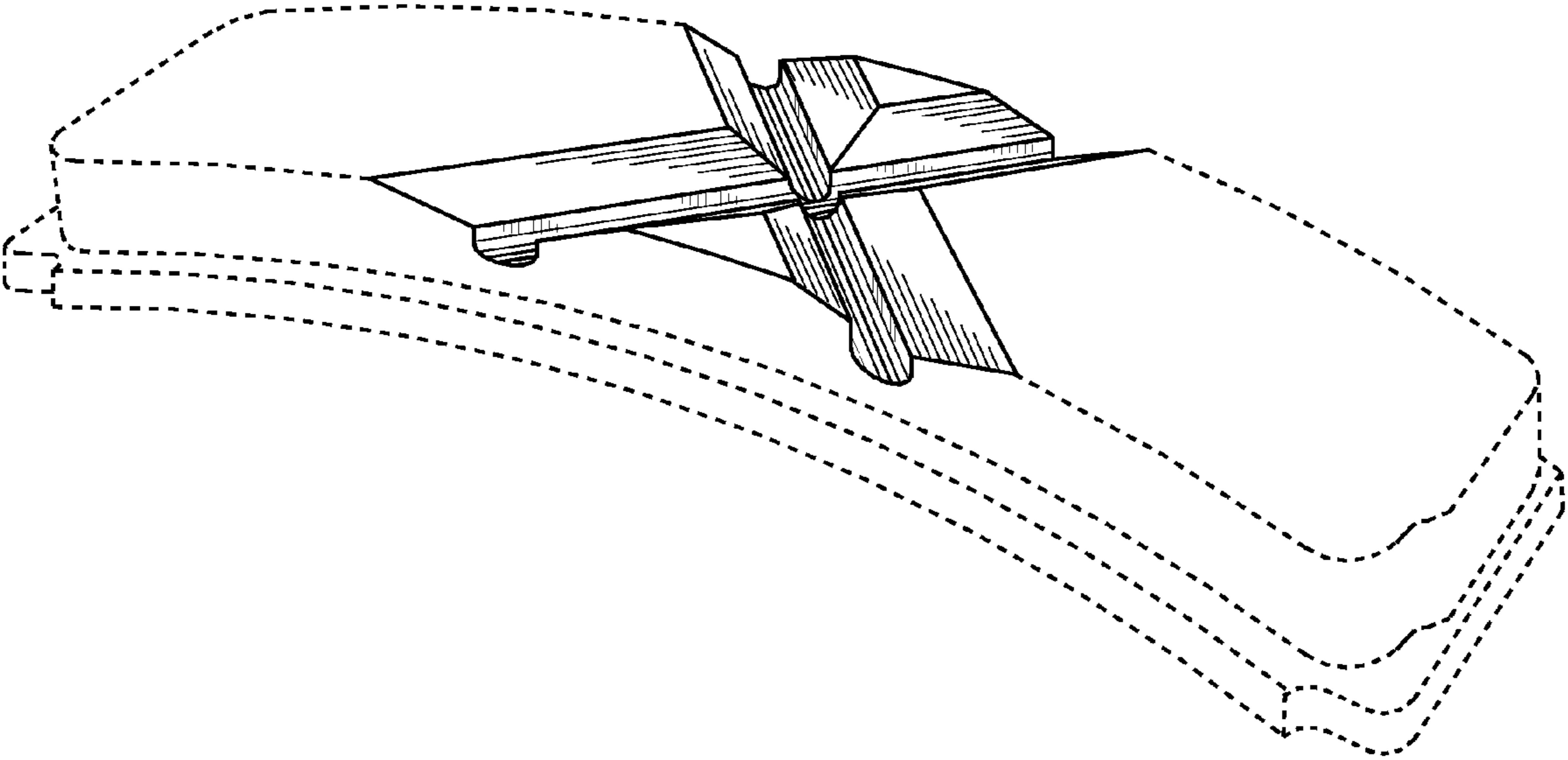


FIG.1

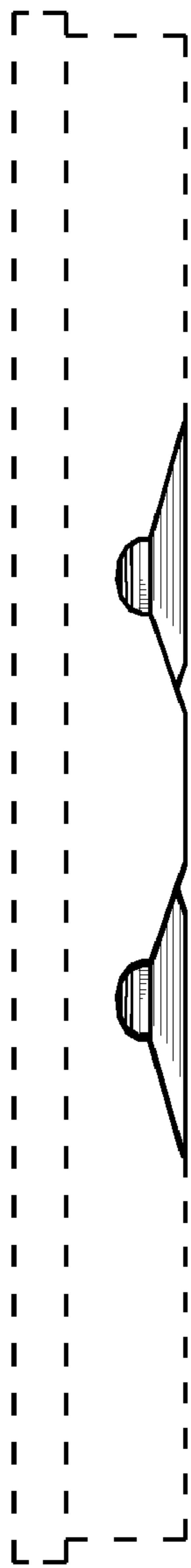


FIG. 2

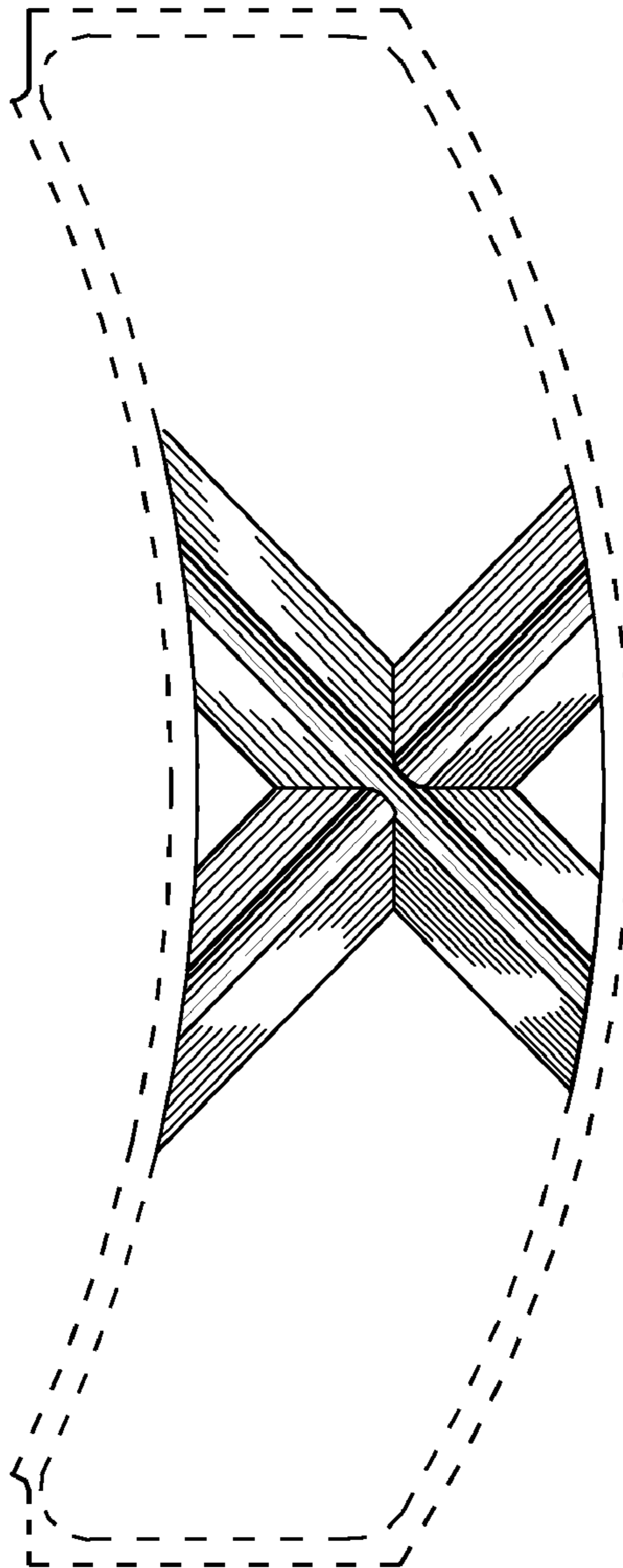


FIG. 3

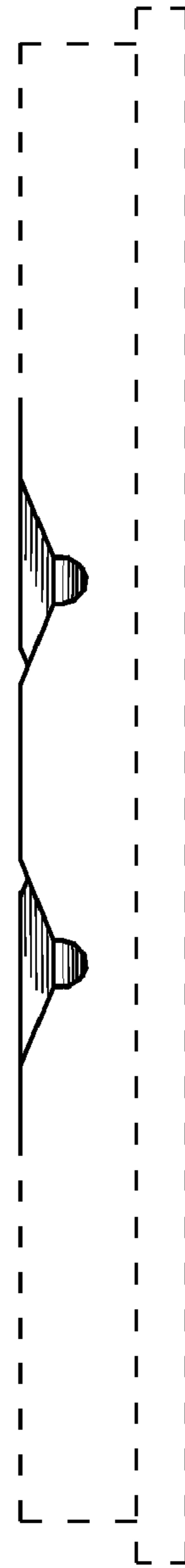


FIG. 4