



US00D624854S

(12) **United States Design Patent**  
**Burns et al.**

(10) **Patent No.:** **US D624,854 S**

(45) **Date of Patent:** **\*\* Oct. 5, 2010**

(54) **FRAME GRILL PLATE FOR A MOTORCYCLE**

(76) Inventors: **James Cleveland Burns**, 117 Chatham Ct., Lavergne, Rutherford County, TN (US) 37086; **David Burns**, 117 Chatham Ct., Lavergne, Rutherford County, TN (US) 37086

(\*\*) Term: **14 Years**

(21) Appl. No.: **29/316,075**

(22) Filed: **Aug. 20, 2009**

(51) **LOC (9) Cl.** ..... **12-11**

(52) **U.S. Cl.** ..... **D12/126**

(58) **Field of Classification Search** ..... D12/163-172, D12/181, 184-186, 196, 114, 110, 126, 111, D12/127, 117, 223, 118; 280/304.3, 848, 280/850, 770, 847, 851, 852, 288.4, 276, 280/279; 180/219, 220; 296/95.1, 199, 204  
See application file for complete search history.

(56) **References Cited**

**U.S. PATENT DOCUMENTS**

1,422,632 A \* 7/1922 Stendel ..... 180/219

D274,803 S \* 7/1984 Hughes ..... D12/126  
4,852,971 A \* 8/1989 Kitrell ..... 359/550  
4,936,599 A \* 6/1990 McNamee ..... 280/770  
D313,774 S \* 1/1991 Hauer ..... D12/126  
5,183,281 A \* 2/1993 Stephens ..... 280/279  
7,464,954 B2 \* 12/2008 Grow ..... 280/304.3  
2009/0051140 A1 \* 2/2009 Saguchi ..... 280/304.3

\* cited by examiner

*Primary Examiner*—Philip S Hyder  
*Assistant Examiner*—Linda G. Brooks

(57) **CLAIM**

The ornamental design for a frame grill plate for a motorcycle, as shown and described.

**DESCRIPTION**

FIG. 1 is a perspective view of a frame grill plate for a motorcycle showing our new design, with the broken lines showing environmental structure that forms no part of the claimed design.

FIG. 2 is a perspective view thereof.

FIG. 3 is a front upright view thereof; and,

FIG. 4 is a side perspective view thereof.

**1 Claim, 4 Drawing Sheets**

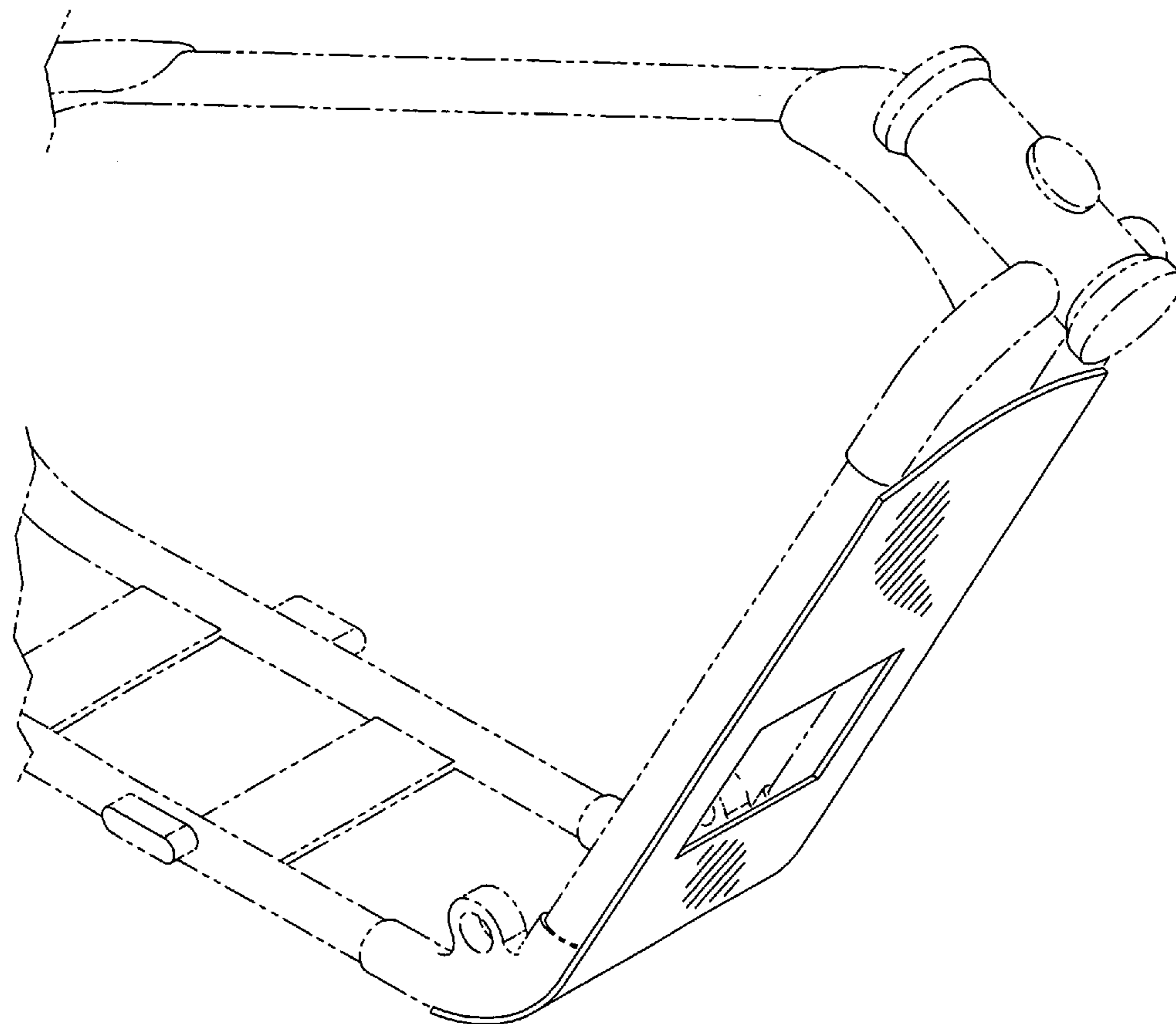


FIG 1

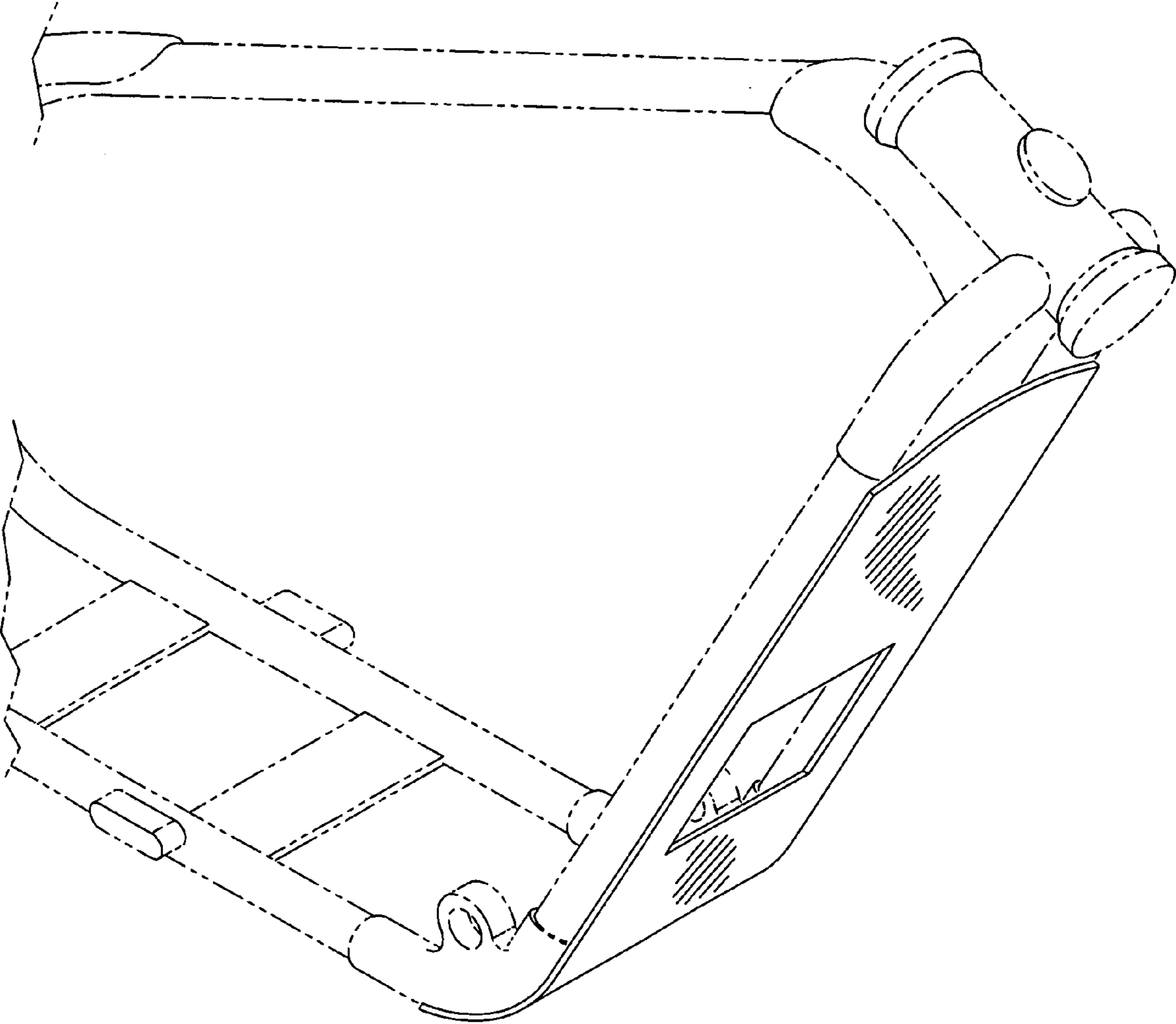


FIG 2

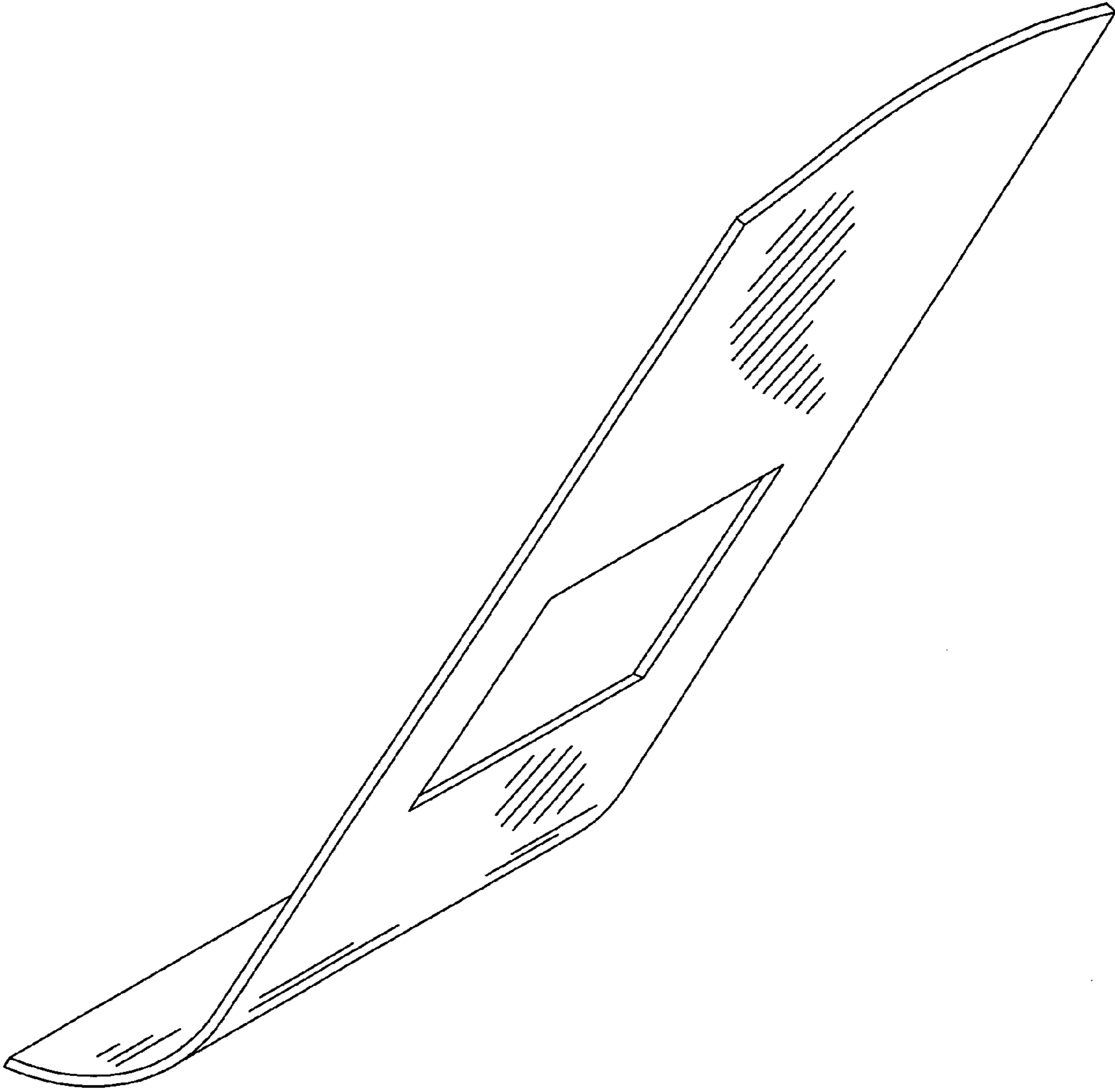


FIG 3

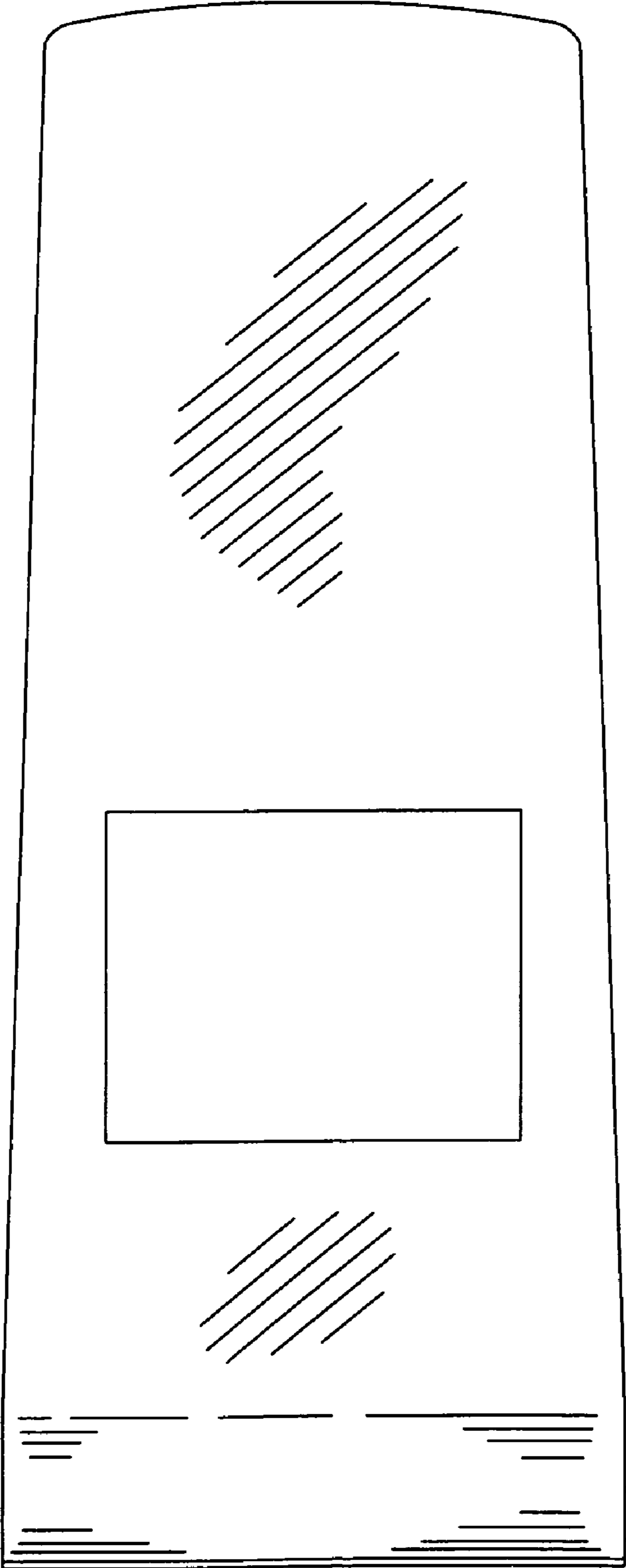


FIG 4

