



US00D624853S

(12) **United States Design Patent**
Song et al.

(10) **Patent No.:** **US D624,853 S**

(45) **Date of Patent:** **** *Oct. 5, 2010**

(54) **MOTORCYCLE**

6,394,214 B1 5/2002 Hahm
6,419,039 B1 7/2002 Wagner

(75) Inventors: **Michael M Song**, Maple Grove, MN (US); **Gregory C. Brew**, Minnetonka, MN (US); **Cameron D. Fisher**, Minneapolis, MN (US)

(Continued)

(73) Assignee: **Polaris Industries Inc.**, Medina, MN (US)

OTHER PUBLICATIONS

Victory Motorcycle 2005 Models, 20 pages. [Retrieved on Oct. 15, 2009]. Retrieved from the Internet <URL: <http://www.bikernet.com/news/PageViewer.asp?PageID=246>>.*

(**) Term: **14 Years**

(Continued)

(21) Appl. No.: **29/338,099**

Primary Examiner—Philip S Hyder
Assistant Examiner—Linda G. Brooks

(22) Filed: **Jun. 4, 2009**

(74) *Attorney, Agent, or Firm*—Baker & Daniels LLP

(51) **LOC (9) Cl.** **12-11**

(52) **U.S. Cl.** **D12/110**

(58) **Field of Classification Search** D12/110,
D12/117; 280/274, 281.1, 288.1–288.4;
180/219, 220, 225, 229

(57) **CLAIM**

We claim the ornamental design for the motorcycle, as shown and described.

See application file for complete search history.

DESCRIPTION

(56) **References Cited**

U.S. PATENT DOCUMENTS

2,755,873	A	7/1956	Klaue	
3,866,946	A	2/1975	Robison	
3,935,445	A	1/1976	Preisler	
D242,031	S	10/1976	Hartlaub	
4,260,170	A	4/1981	Terai et al.	
4,615,556	A	10/1986	Stahel	
4,624,470	A	11/1986	Love	
4,793,293	A	12/1988	Minami	
4,887,687	A	12/1989	Asai et al.	
D361,311	S	8/1995	Lindby	
5,608,957	A	3/1997	Hanagan	
6,007,150	A	12/1999	Clerkin et al.	
D442,892	S *	5/2001	Timmermann	D12/110
6,223,960	B1	5/2001	Powell et al.	
6,224,081	B1	5/2001	Wayman et al.	
6,276,482	B1	8/2001	Moriya et al.	
D447,985	S *	9/2001	Ino et al.	D12/110

FIG. 1 is an upper, front perspective view of a motorcycle of the present invention;

FIG. 2 is an upper, rear perspective view of the motorcycle of FIG. 1;

FIG. 3 shows a left side view of the motorcycle of FIG. 1;

FIG. 4 shows a right side view of the motorcycle of FIG. 1;

FIG. 5 shows a top view of the motorcycle of FIG. 1;

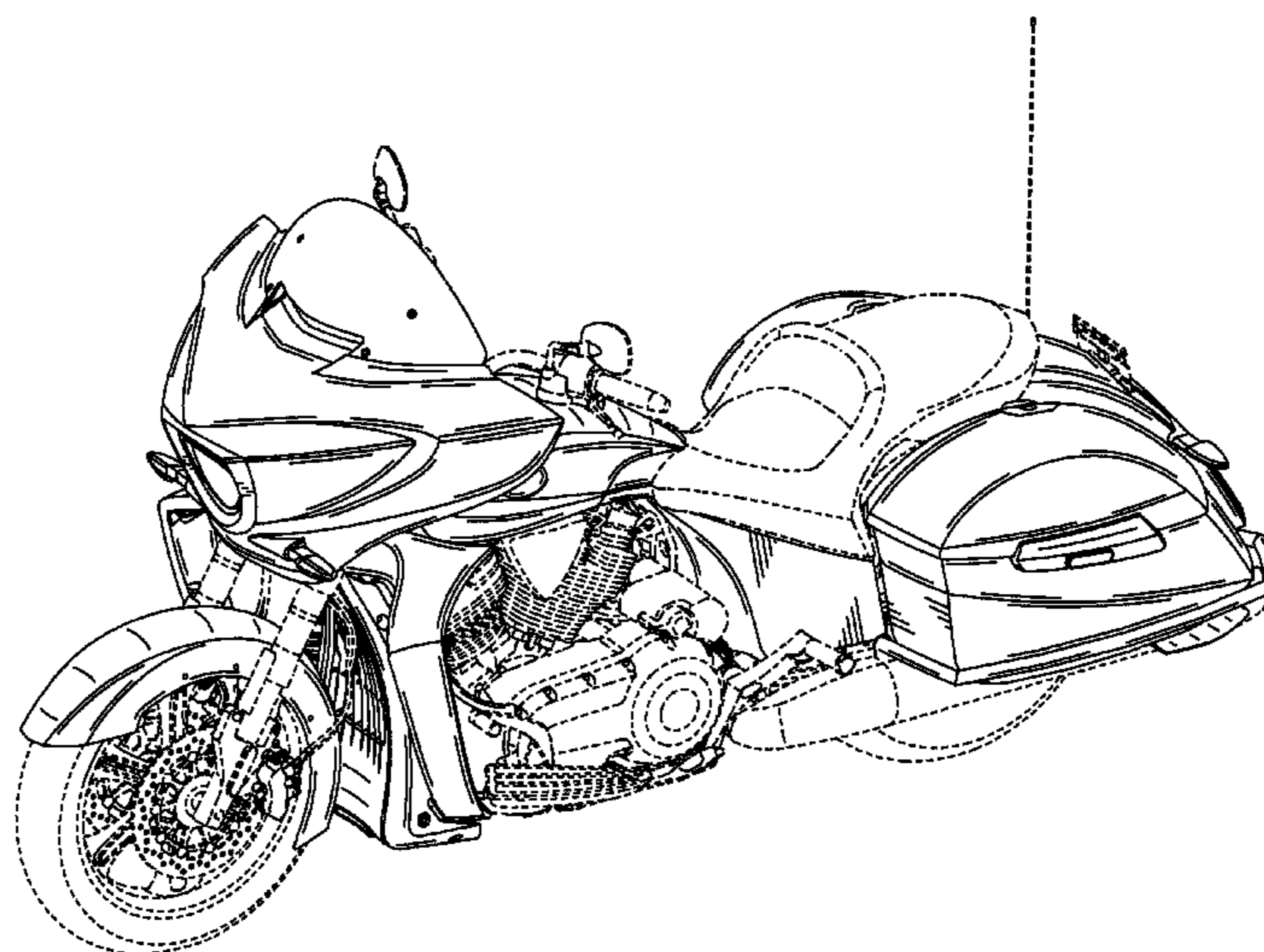
FIG. 6 shows a bottom view of the motorcycle of FIG. 1;

FIG. 7 shows a front view of the motorcycle of FIGS. 1; and,

FIG. 8 shows a back view of the motorcycle of FIG. 1.

The broken lines showing other portions of a motorcycle illustrate environmental structure that forms no part of the claimed design.

1 Claim, 7 Drawing Sheets



U.S. PATENT DOCUMENTS

6,481,522	B1	11/2002	Adachi	
6,619,415	B1	9/2003	Hasumi et al.	
D484,074	S	12/2003	Henneberry	
6,655,740	B1	12/2003	Hanagan	
6,796,030	B2	9/2004	Mochizuki et al.	
6,896,279	B2	5/2005	Galvagno	
6,951,417	B2	10/2005	Ito et al.	
6,969,083	B2	11/2005	Egan	
D513,719	S	1/2006	Egan	
6,991,290	B1	1/2006	Wiertzema	
D567,715	S *	4/2008	Brew et al.	D12/110
7,360,963	B1	4/2008	Burns	
D574,299	S *	8/2008	Kouchi et al.	D12/110
D576,921	S *	9/2008	Tong	D12/110
7,537,281	B2	5/2009	Riondato	
7,543,673	B2	6/2009	Lachapelle et al.	
D597,891	S *	8/2009	Andoh	D12/110
2005/0174787	A1	8/2005	Uemoto et al.	
2007/0018420	A1	1/2007	Hoshi	
2007/0057484	A1	3/2007	Gilman	
2007/0151789	A1	7/2007	Bracy et al.	
2008/0169149	A1	7/2008	Holroyd et al.	
2008/0203782	A1	8/2008	Bigolin	
2010/0012695	A1	1/2010	DeMilio	
2010/0025140	A1	2/2010	Takenaka et al.	
2010/0025443	A1	2/2010	Racz et al.	

OTHER PUBLICATIONS

Polaris Sales Inc., Victory 2004 Accelerating the Art of the American Cruiser brochure, 2003, pp. 1-36, Medina, Minnesota, USA.

Polaris Sales Inc., Victory 2006 brochure, 2005, pp. 1-28, Medina, Minnesota, USA.
 Polaris Sales Inc., Victory the New American Motorcycle 2007 brochure, 2006, pp. 1-15, Medina, Minnesota, USA.
 Polaris Sales Inc., Victory the New American Motorcycle 2008 brochure, 2007, pp. 1-14, Medina, Minnesota, USA.
 Polaris Sales Inc., Celebrating 10 Years of Victory the New American Motorcycle 2009 brochure, 2008, pp. 1-16, Medina, Minnesota, USA.
 Harley-Davidson, FLHR Road King, 2008, 1 page.
 Harley-Davidson, FLHX Street Glide, 2008, 1 page.
 Harley-Davidson, Genuine Motor Accessories, Adjustable Highway Peg Mounting Kit—360 Degrees webpage, 1 page, (available at least as early as Jun. 3, 2009).
 Harley-Davidson, FLH, 1 page, (available at least as early as Jun. 3, 2009).
 Harley-Davidson, Genuine Motor Accessories, Adjustable Highway Peg Mounting Kit—Long Offset webpage, 1 page, (available at least as early as Jun. 3, 2009).
 Harley-Davidson, Genuine Motor Accessories, Adjustable Highway Peg Mounting Kit—Short Offset webpage, 1 page, (available at least as early as Jun. 3, 2009).
 Harley-Davidson, Genuine Motor Accessories, Adjustable Highway Peg Mounting Kit—Short Angled webpage, 1 page, (available at least as early as Jun. 3, 2009).
 Harley-Davidson, Genuine Motor Accessories, Adjustable Highway Peg Mounting Kit—Long Angled webpage, 1 page, (available at least as early as Jun. 3, 2009).
 Polaris Sales Inc., Victory Motorcycles 2005 The New American Motorcycle brochure, 2004, pp. 1-22, Medina, Minnesota, USA.

* cited by examiner

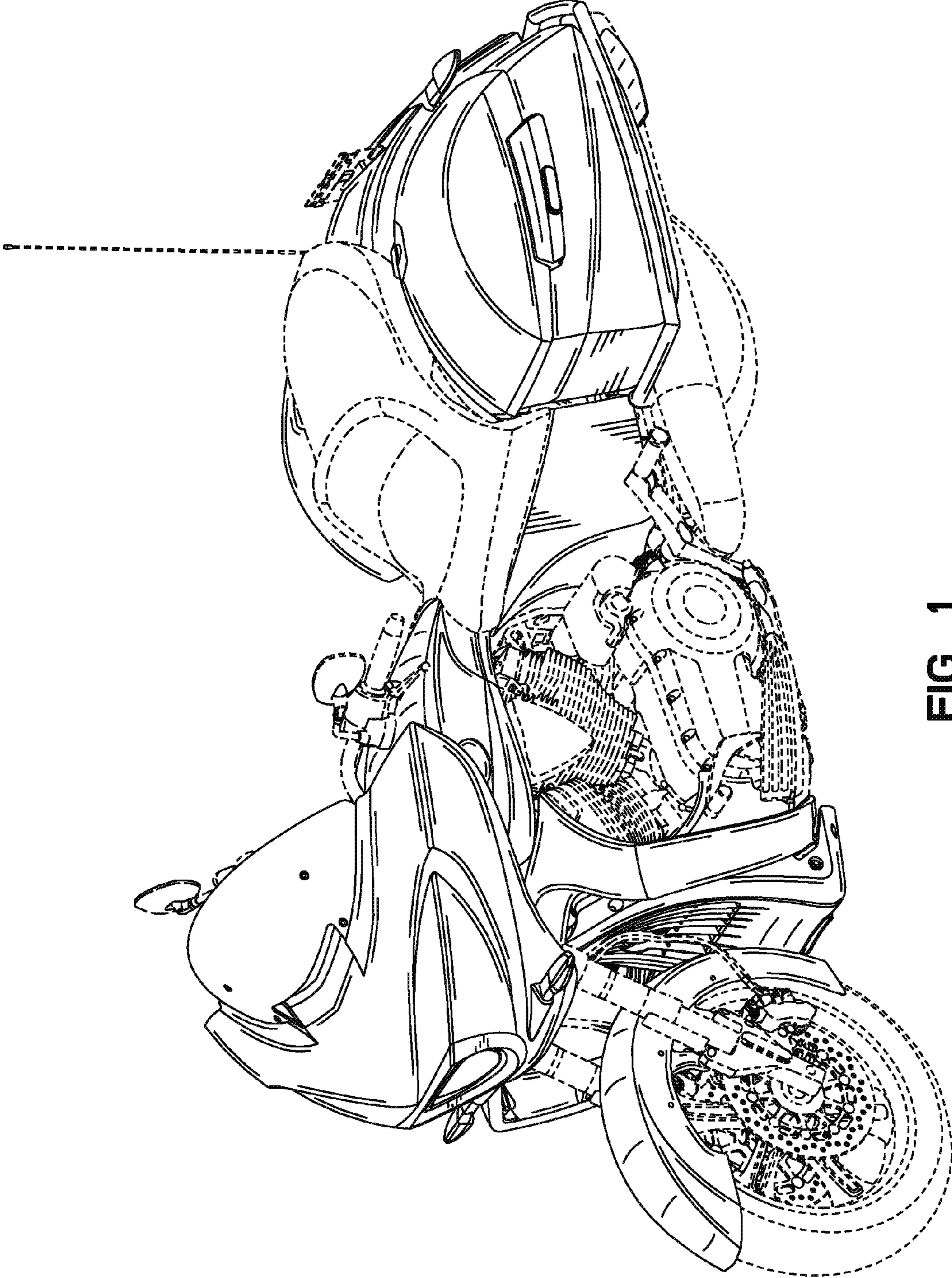


FIG. 1

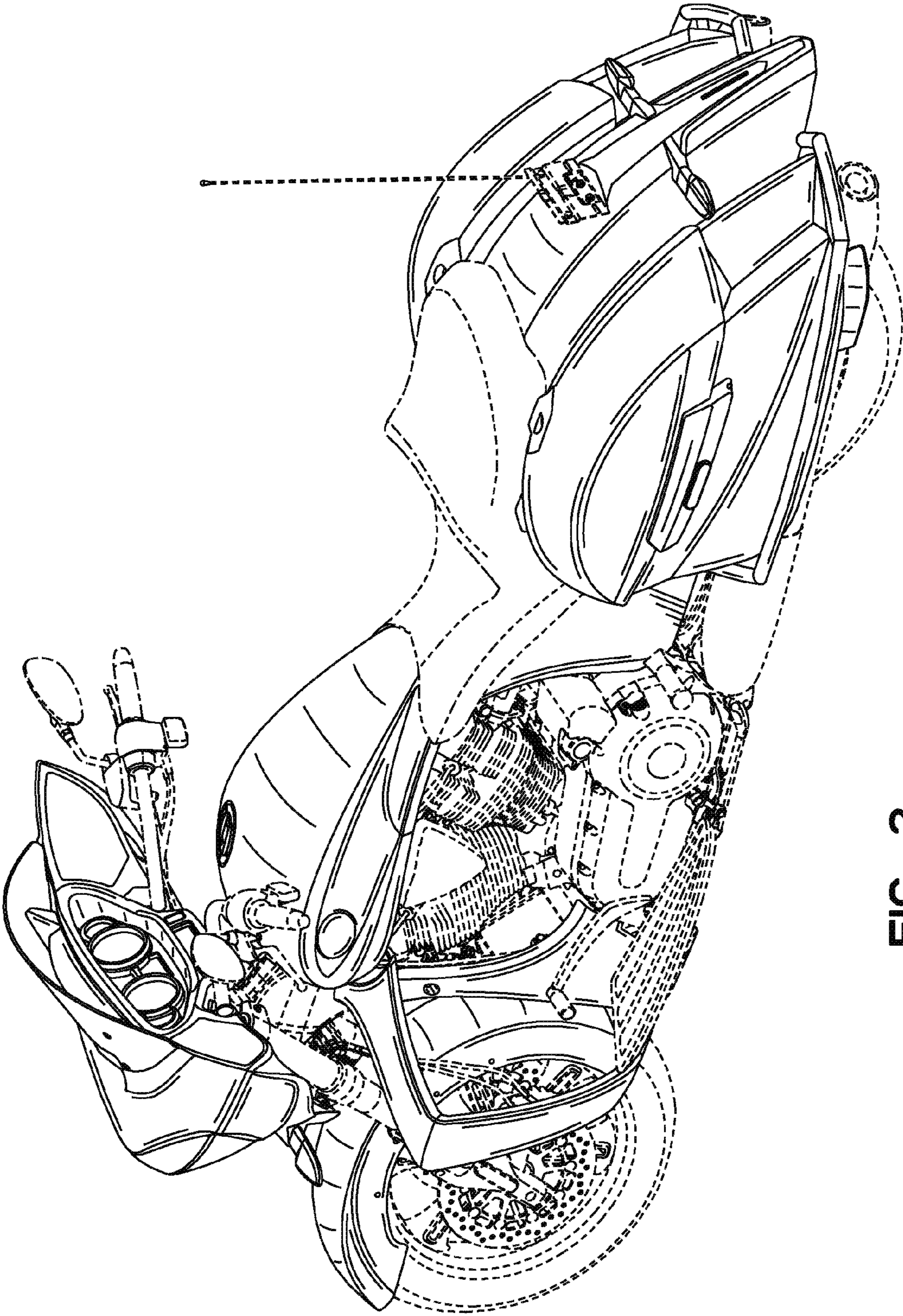


FIG. 2

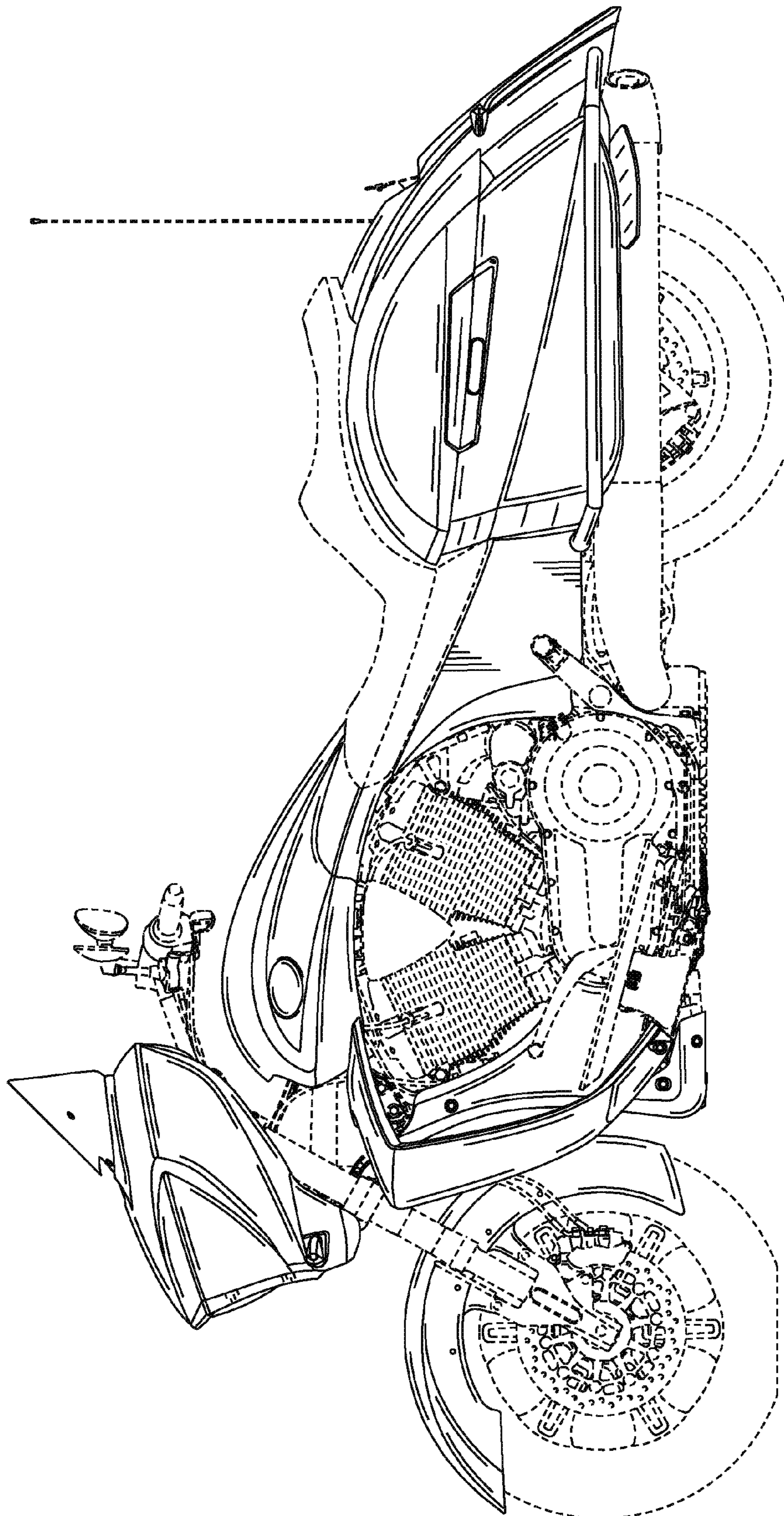


FIG. 3

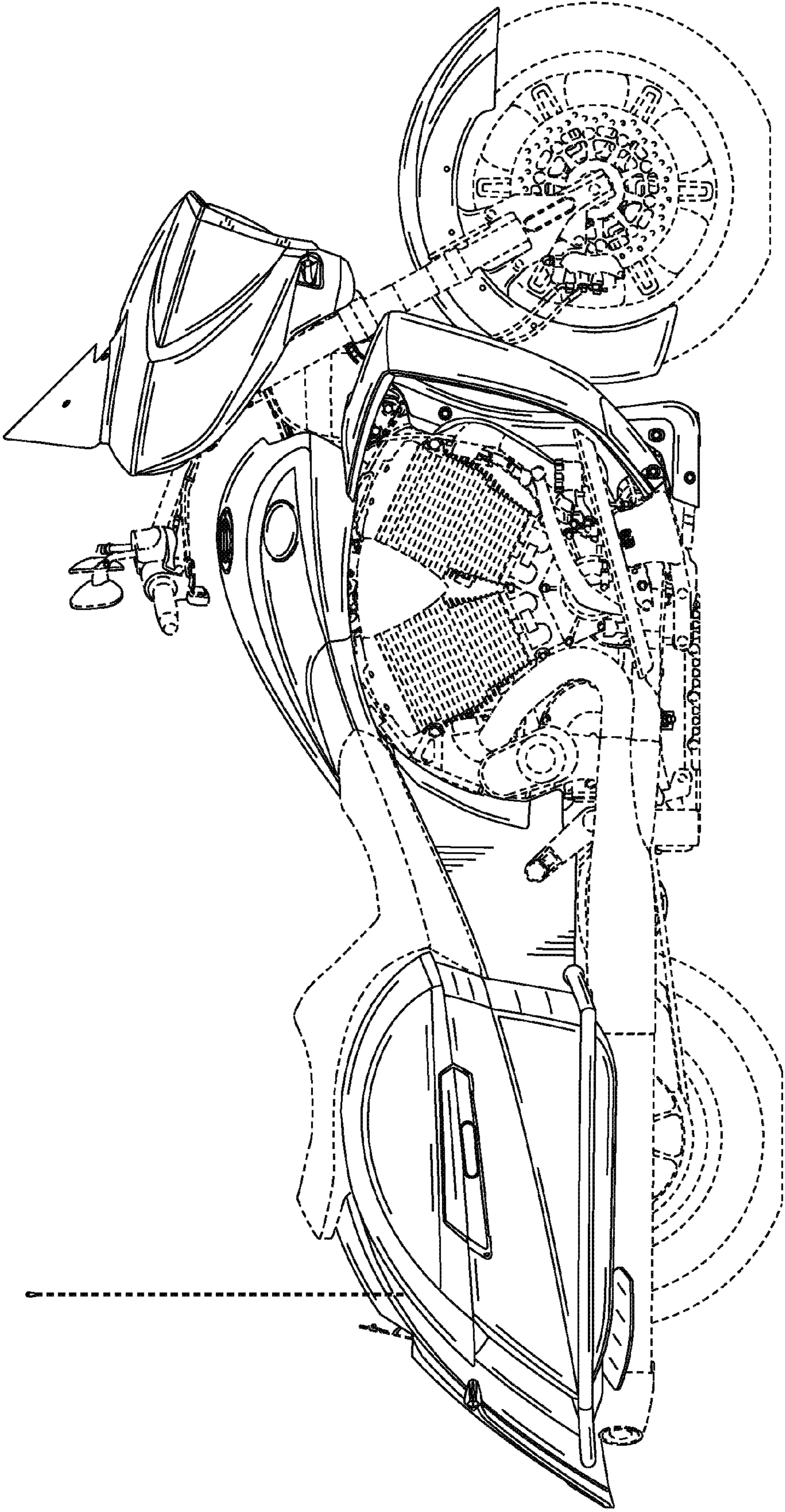


FIG. 4

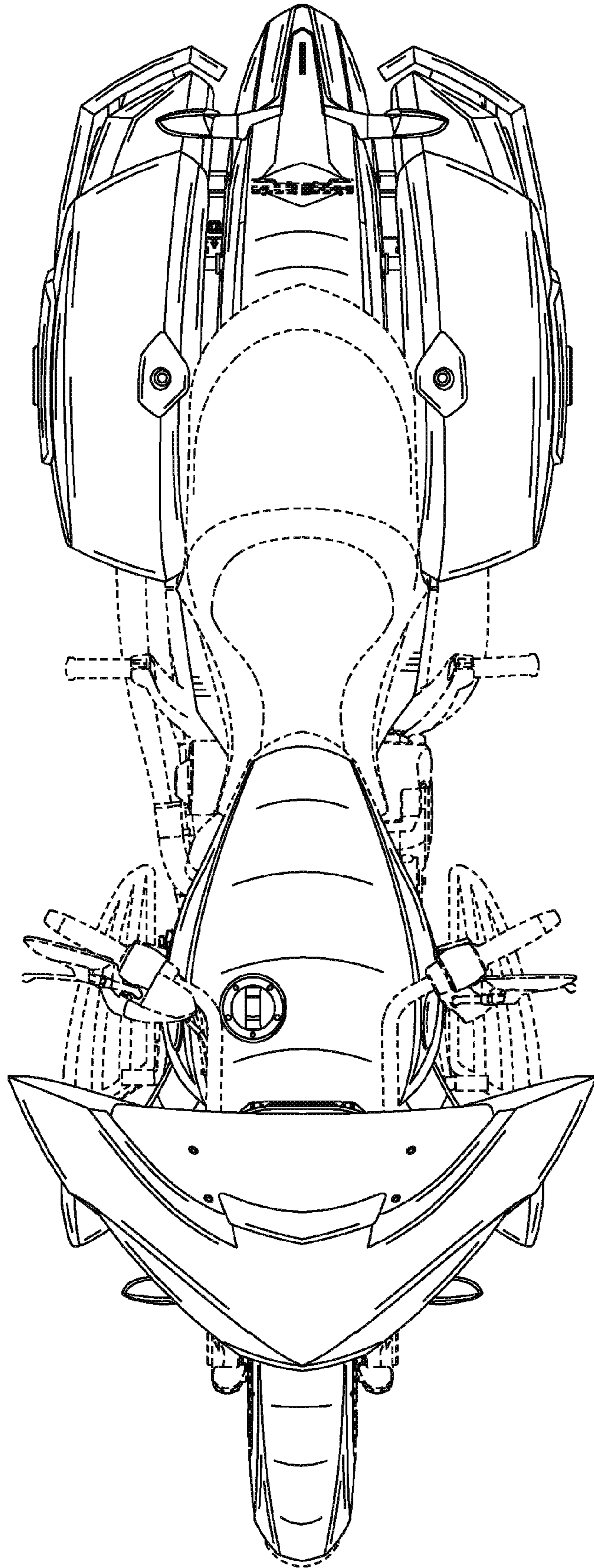


FIG. 5

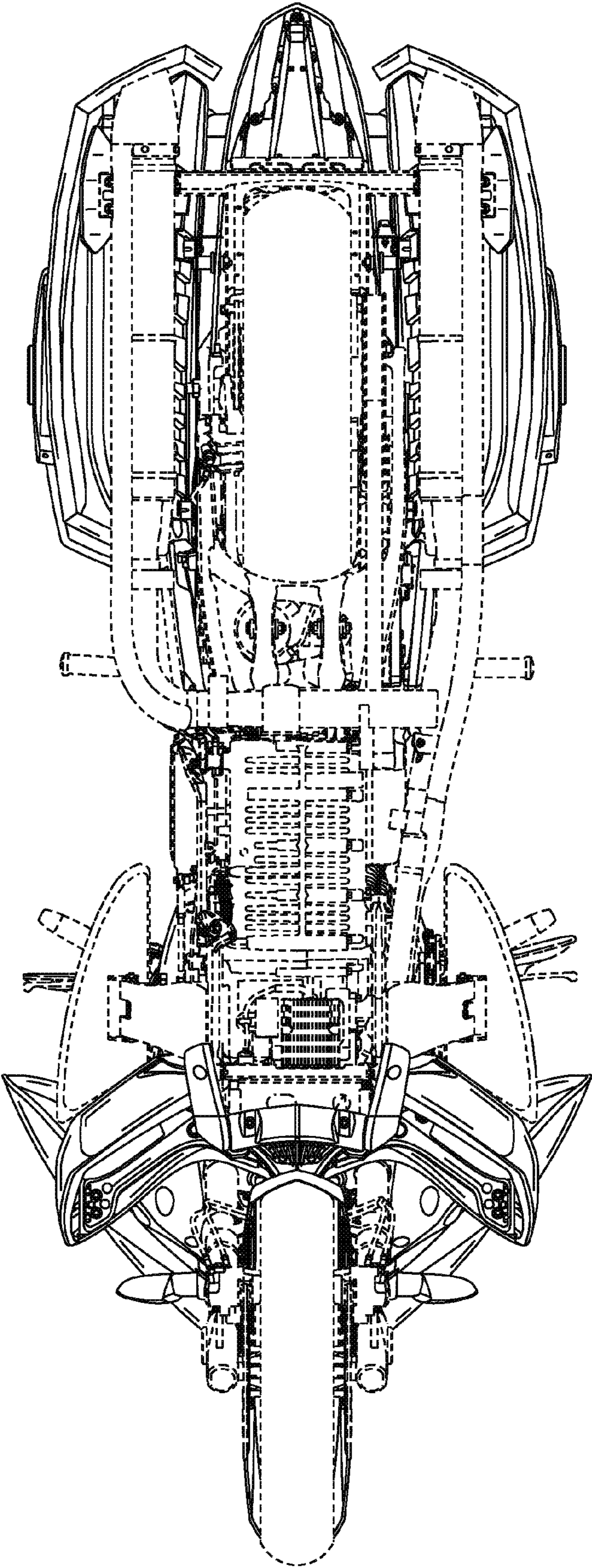


FIG. 6

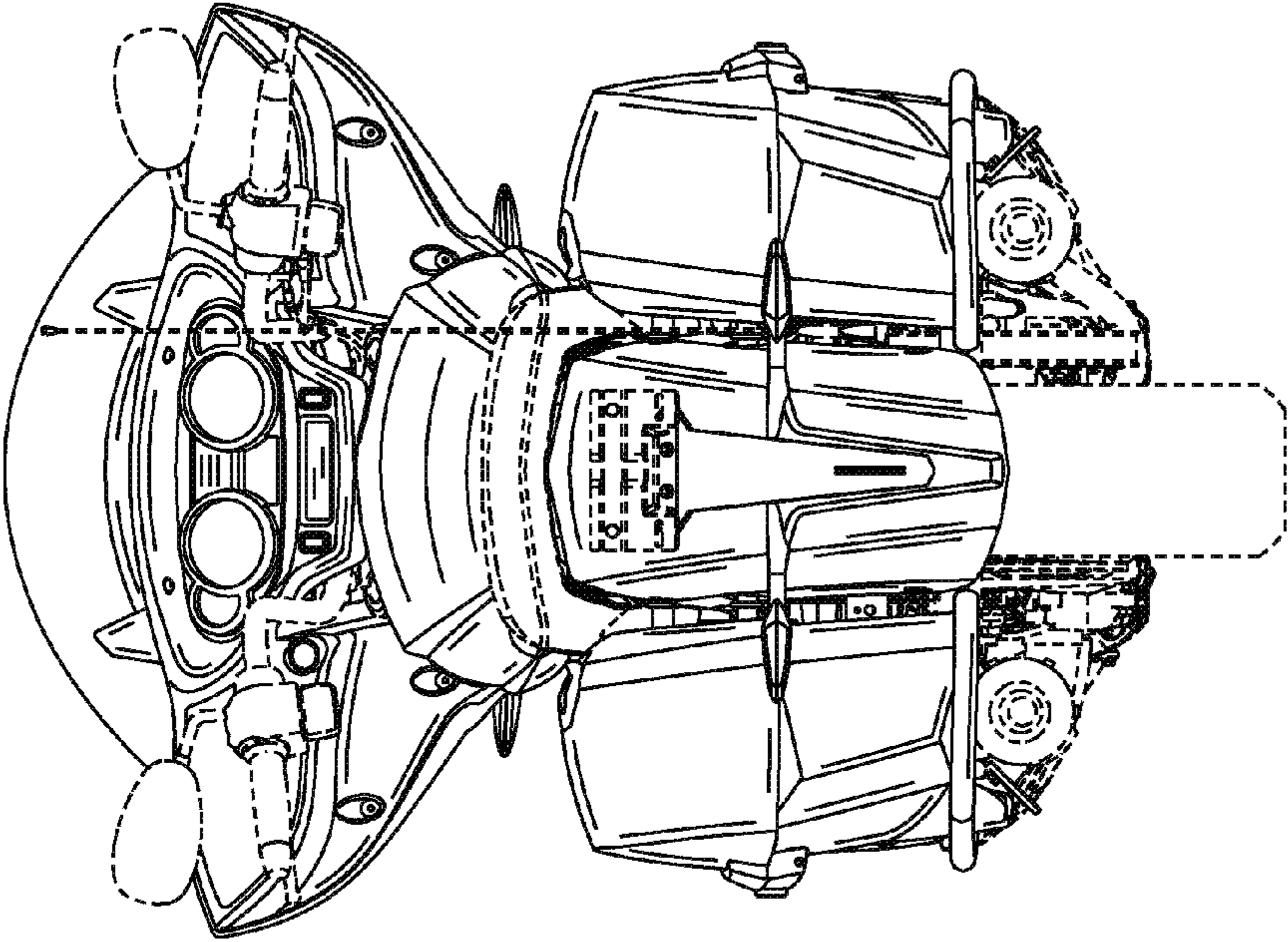


FIG. 8

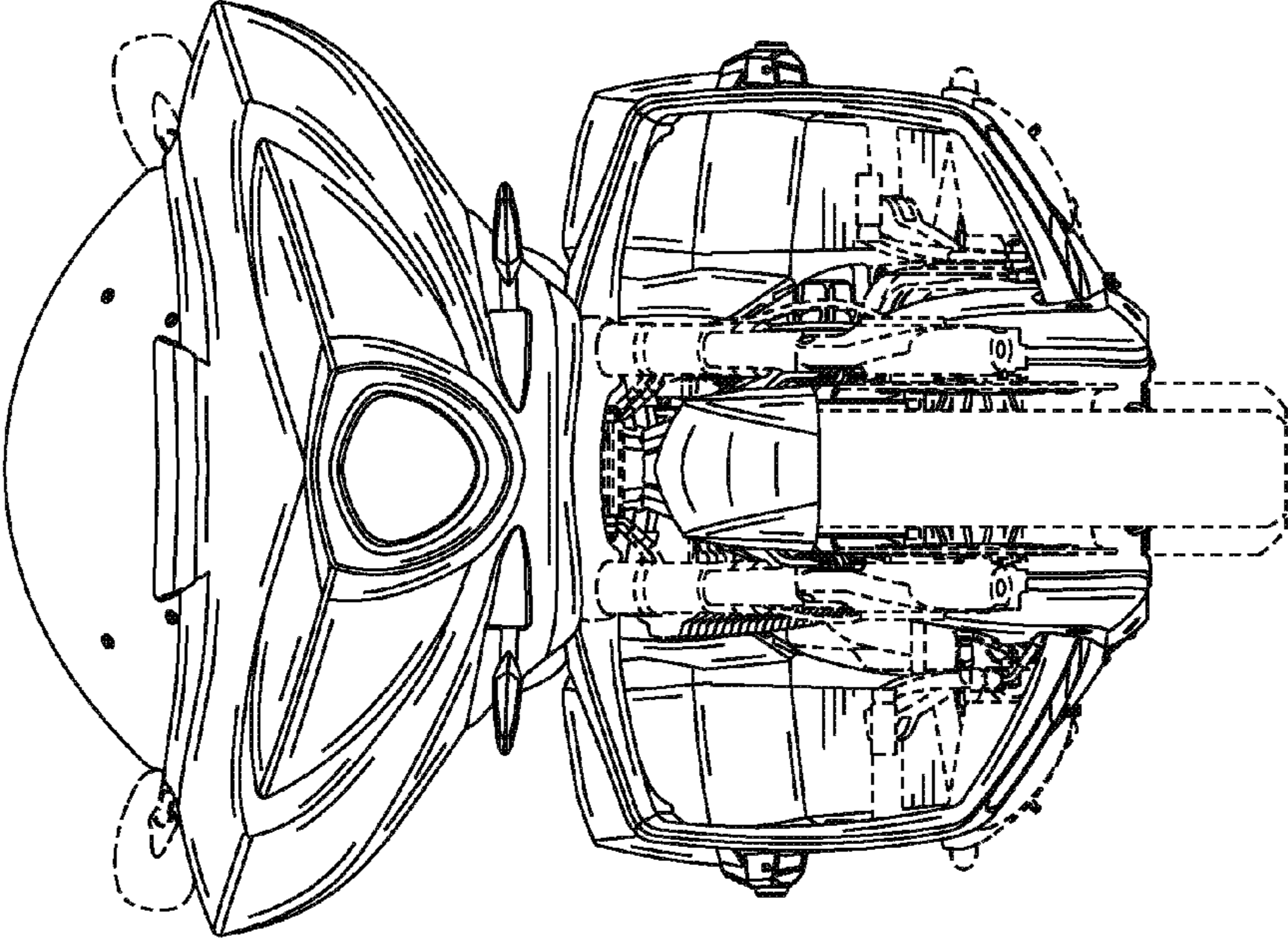


FIG. 7