



US00D624852S

(12) **United States Design Patent**
Tandrup et al.

(10) **Patent No.:** **US D624,852 S**
(45) **Date of Patent:** **** Oct. 5, 2010**

(54) **ALL TERRAIN VEHICLE**

D529,413 S * 10/2006 Basset et al. D12/107

(75) Inventors: **Matt D. Tandrup**, Chanhassen, MN
(US); **Richard E. Eck**, Minneapolis, MN
(US)

* cited by examiner

Primary Examiner—Linda G. Brooks
(74) *Attorney, Agent, or Firm*—Baker & Daniels LLP

(73) Assignee: **Polaris Industries Inc.**, Medina, MN
(US)

(57) **CLAIM**

(**) Term: **14 Years**

We claim the ornamental design for the vehicle, as shown and described.

(21) Appl. No.: **29/292,967**

DESCRIPTION

(22) Filed: **Nov. 5, 2007**

FIG. 1 shows a front perspective view of the vehicle of the present design application;

(51) **LOC (9) Cl.** **12-11**

(52) **U.S. Cl.** **D12/107**

(58) **Field of Classification Search** D12/3,
D12/86, 87, 107, 110; 180/225, 229, 233,
180/311, 312, 315

FIG. 2 shows a left side view of the vehicle shown in FIG. 1;

FIG. 3 shows a right side view of the vehicle shown in FIG. 1;

FIG. 4 shows a rear view of the vehicle shown in FIG. 1;

FIG. 5 shows a front view of the vehicle shown in FIG. 1;

FIG. 6 shows a top view of the vehicle shown in FIG. 1; and,

FIG. 7 shows a bottom view of the vehicle shown in FIG. 1.

See application file for complete search history.

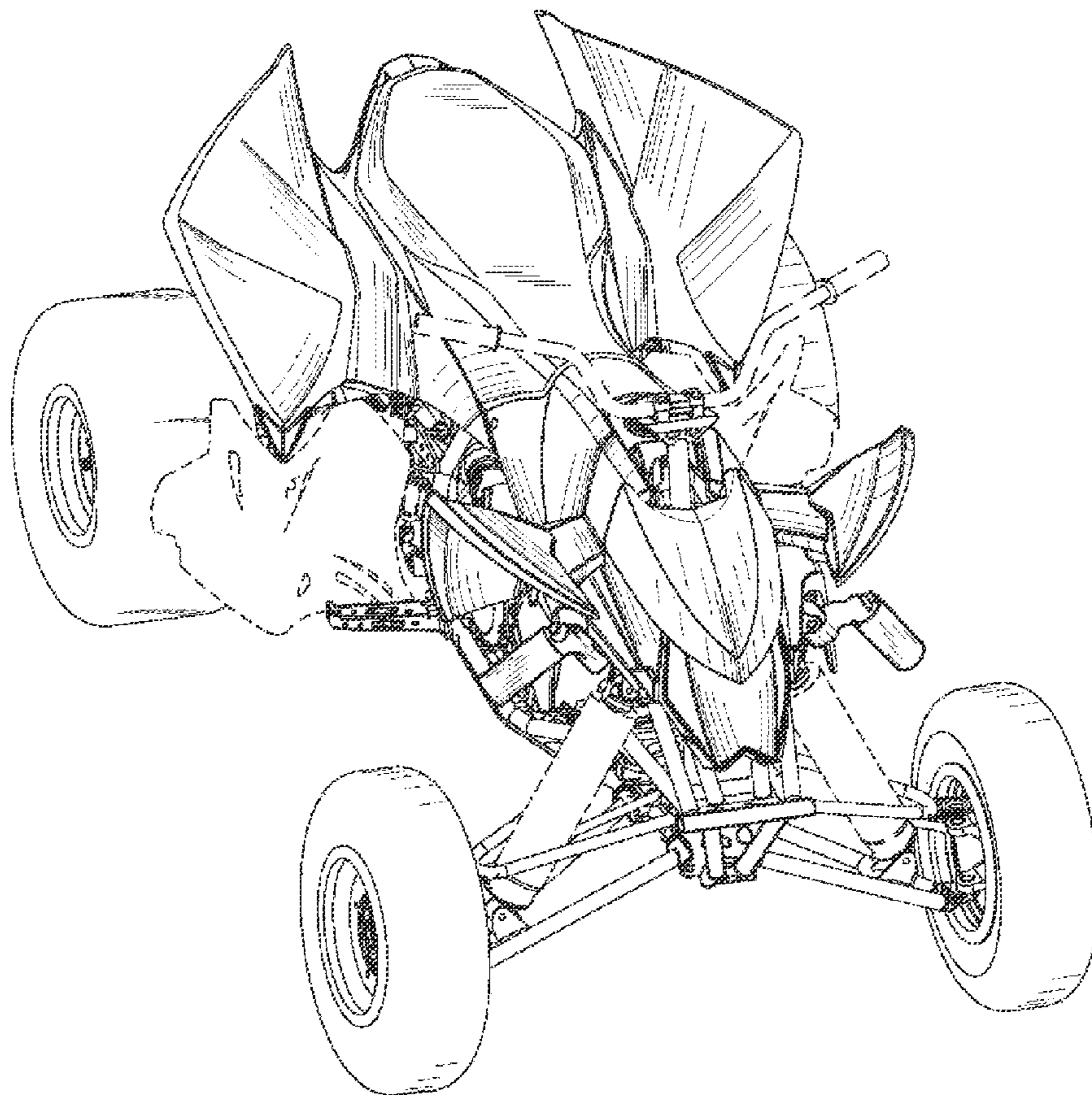
The broken lines shown are for the purpose of illustrating unclaimed portions of the vehicle.

(56) **References Cited**

U.S. PATENT DOCUMENTS

D512,001 S * 11/2005 Kato et al. D12/107
D515,978 S * 2/2006 Luh D12/107
D517,450 S * 3/2006 Wu D12/107

1 Claim, 7 Drawing Sheets



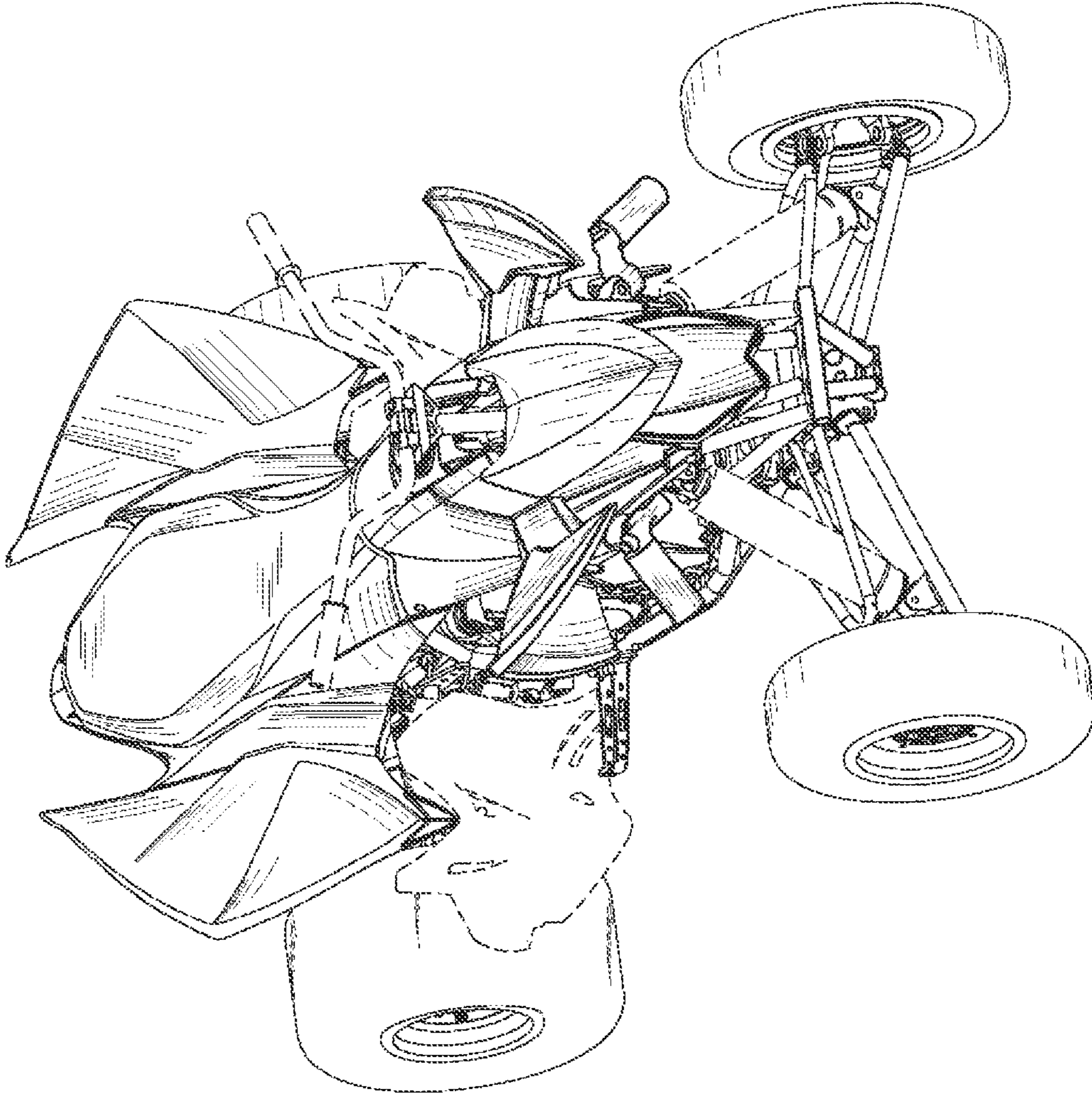


FIG. 1

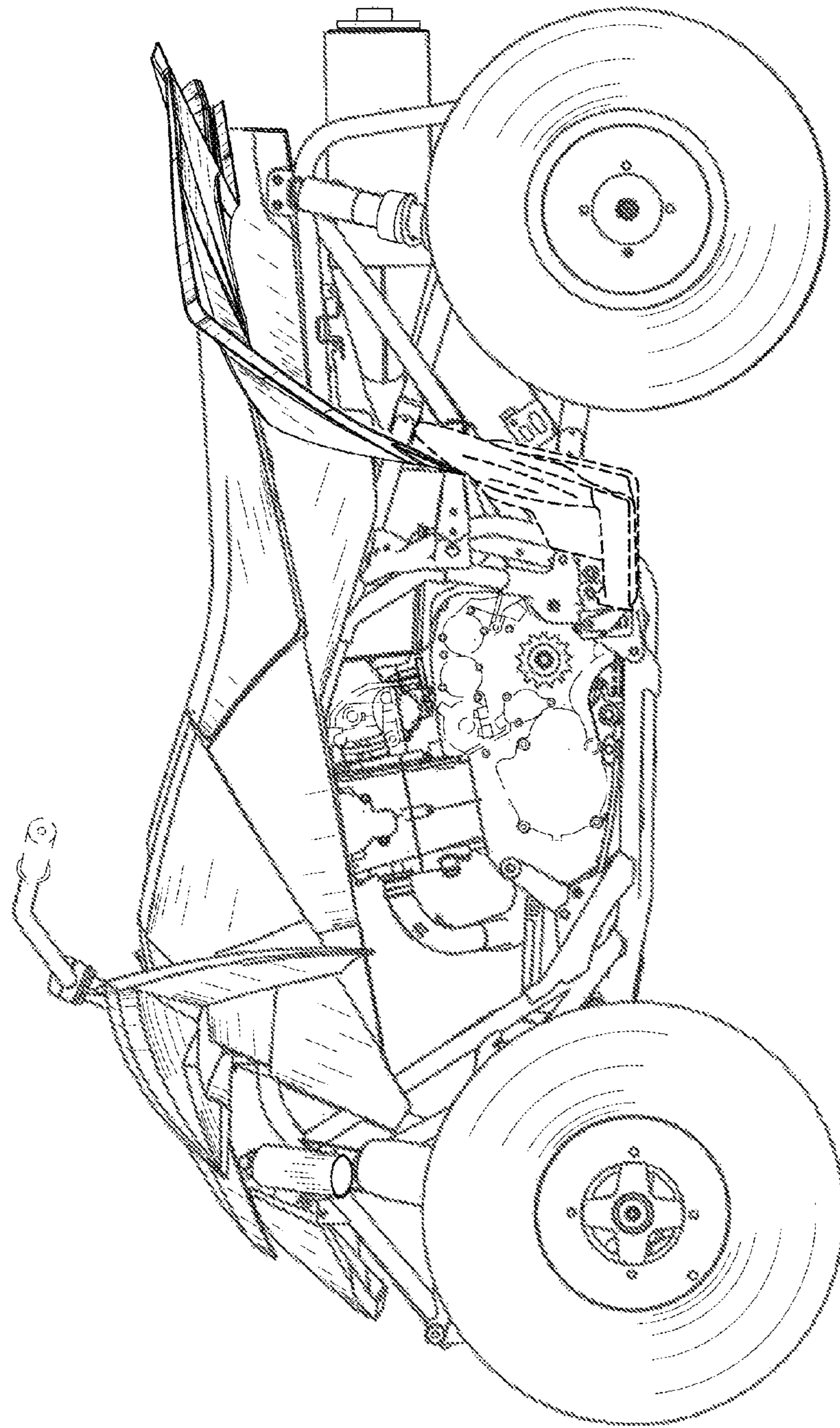


FIG. 2

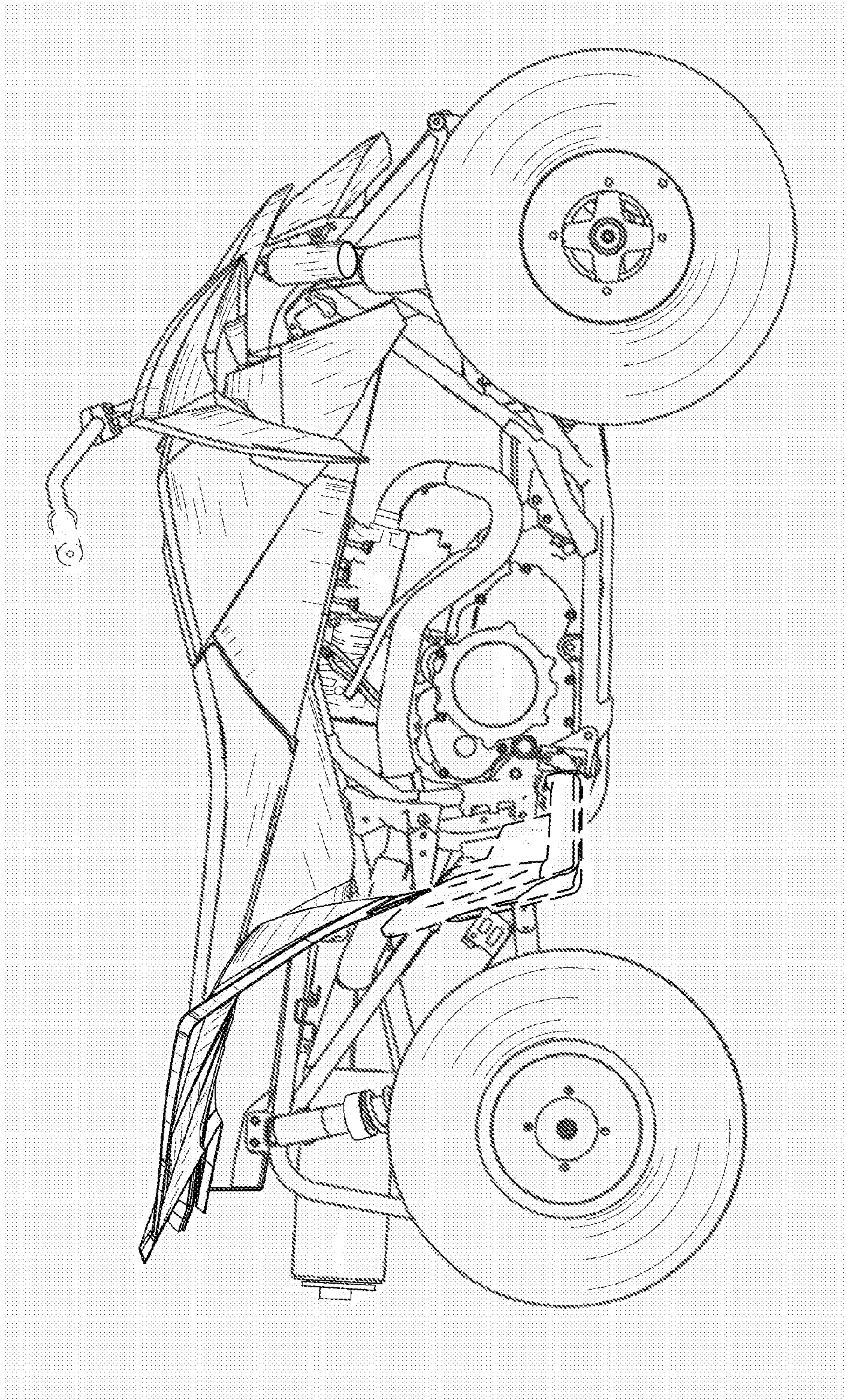


FIG. 3

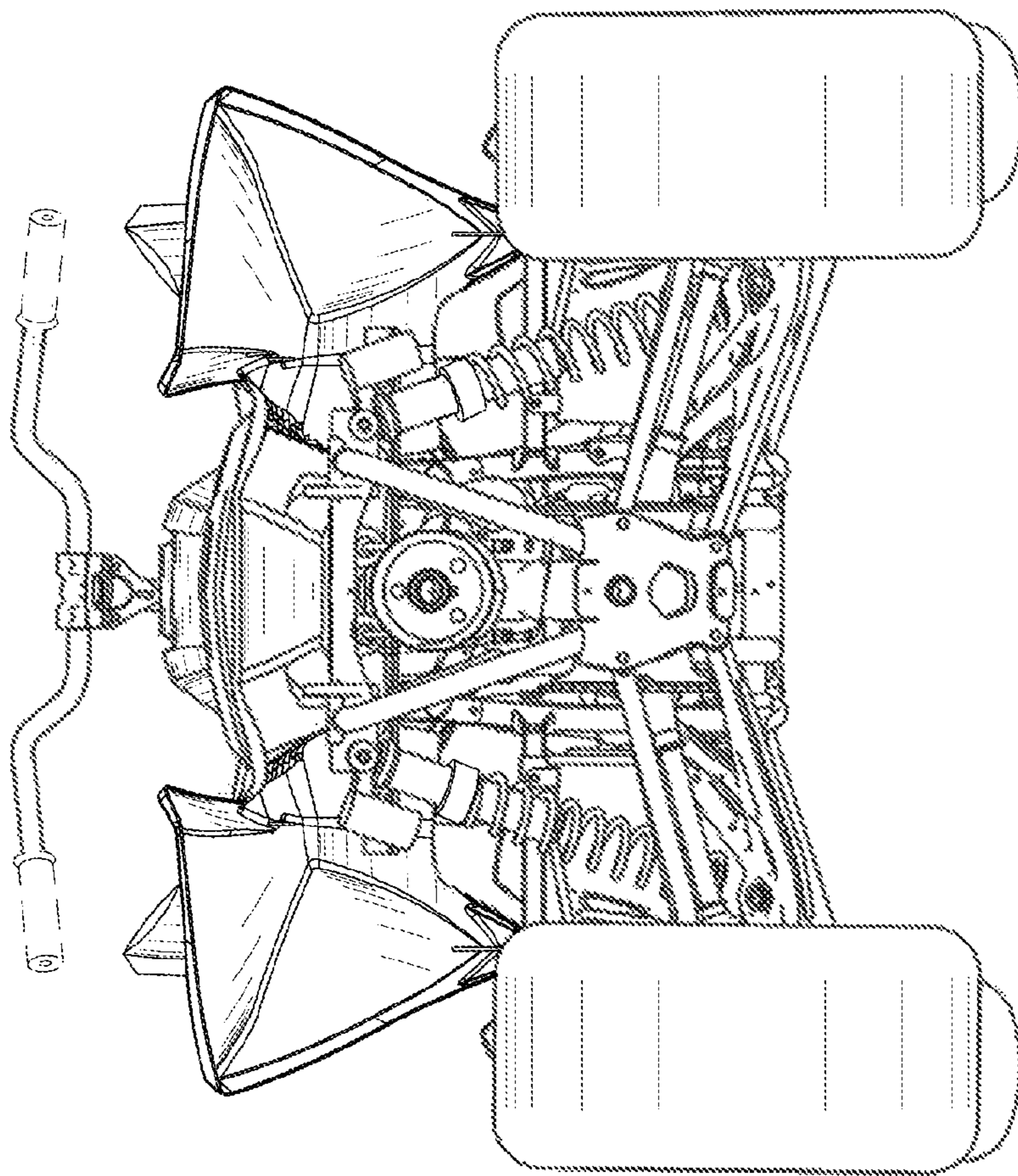


FIG. 4

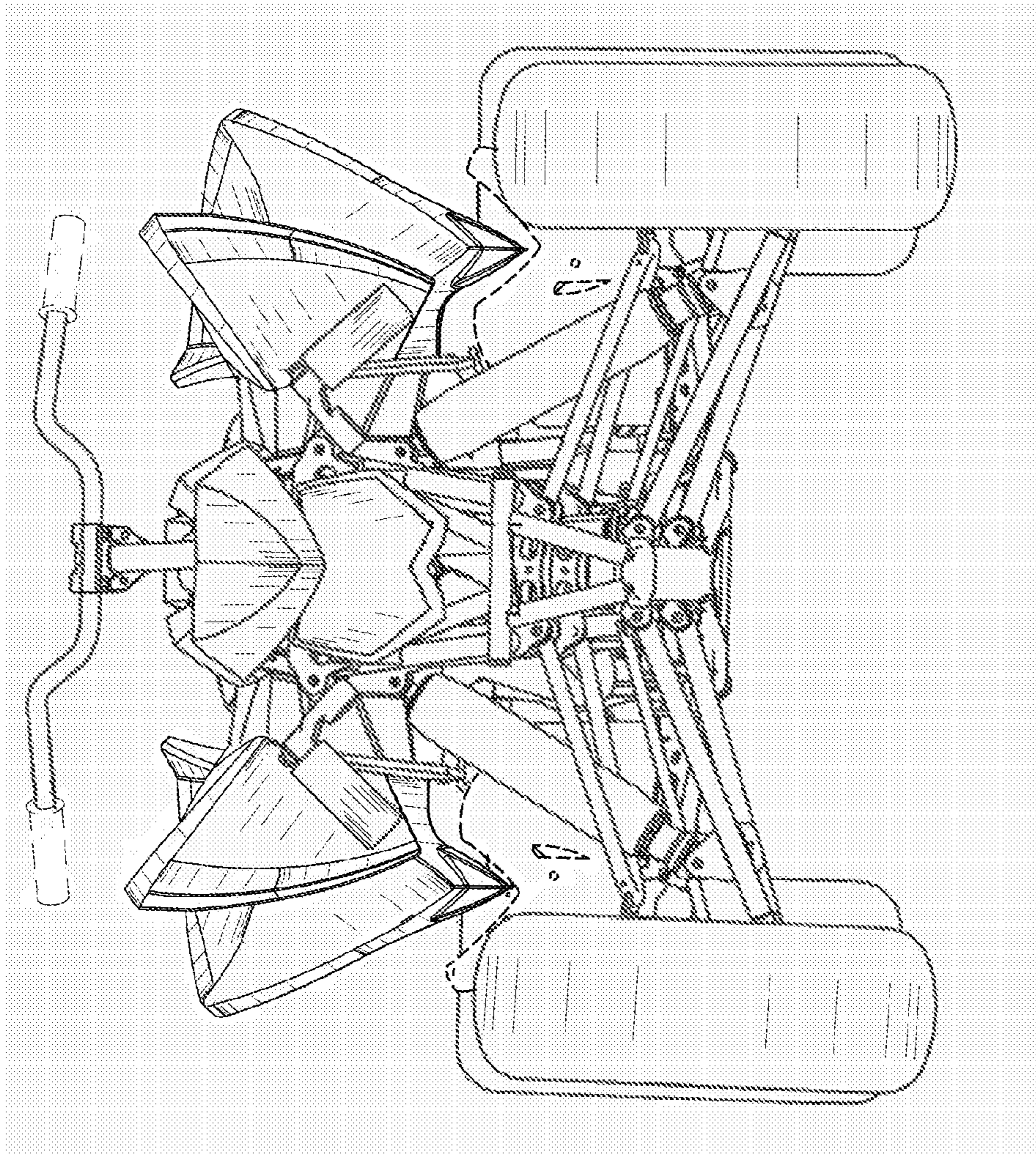


FIG. 5

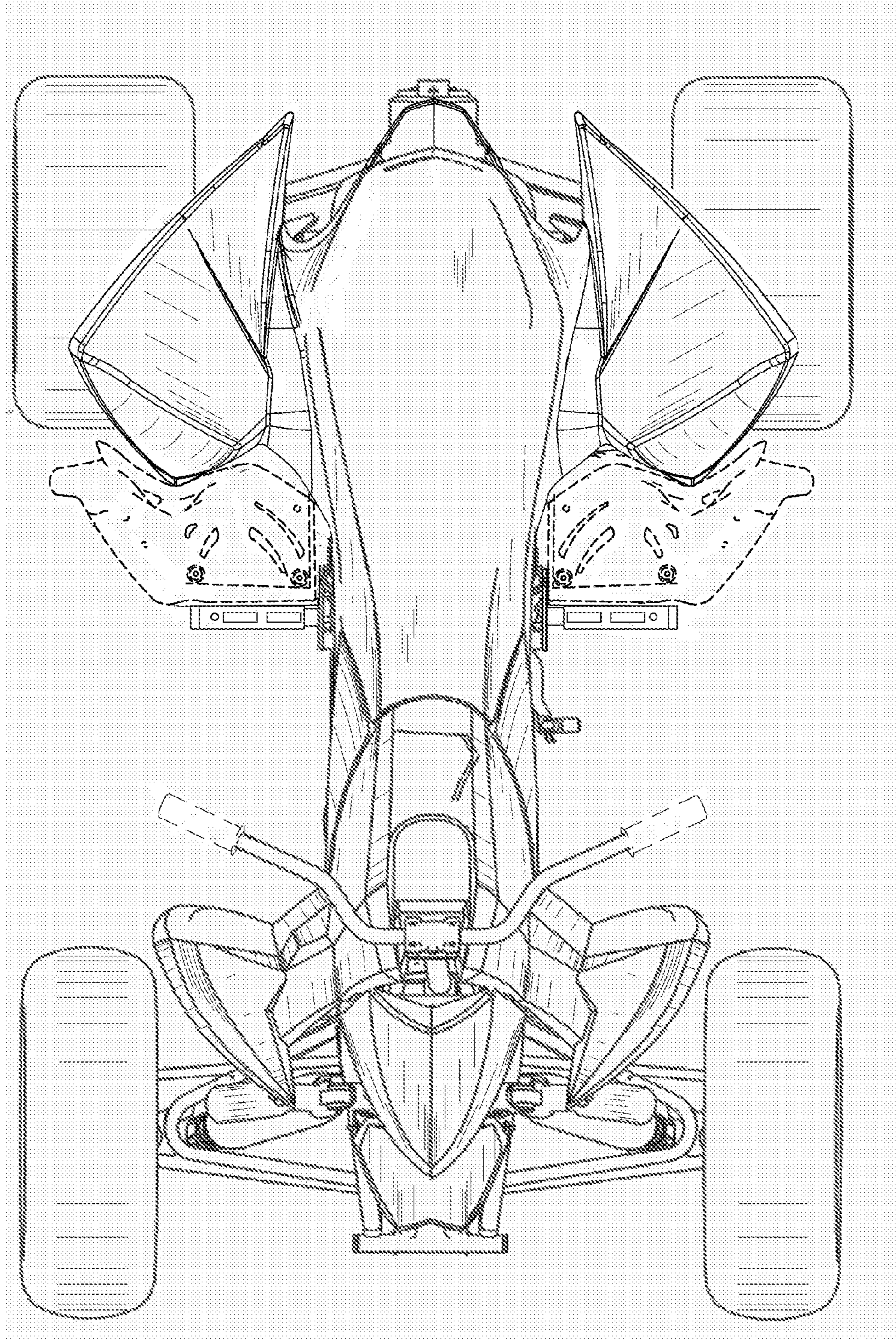


FIG. 6

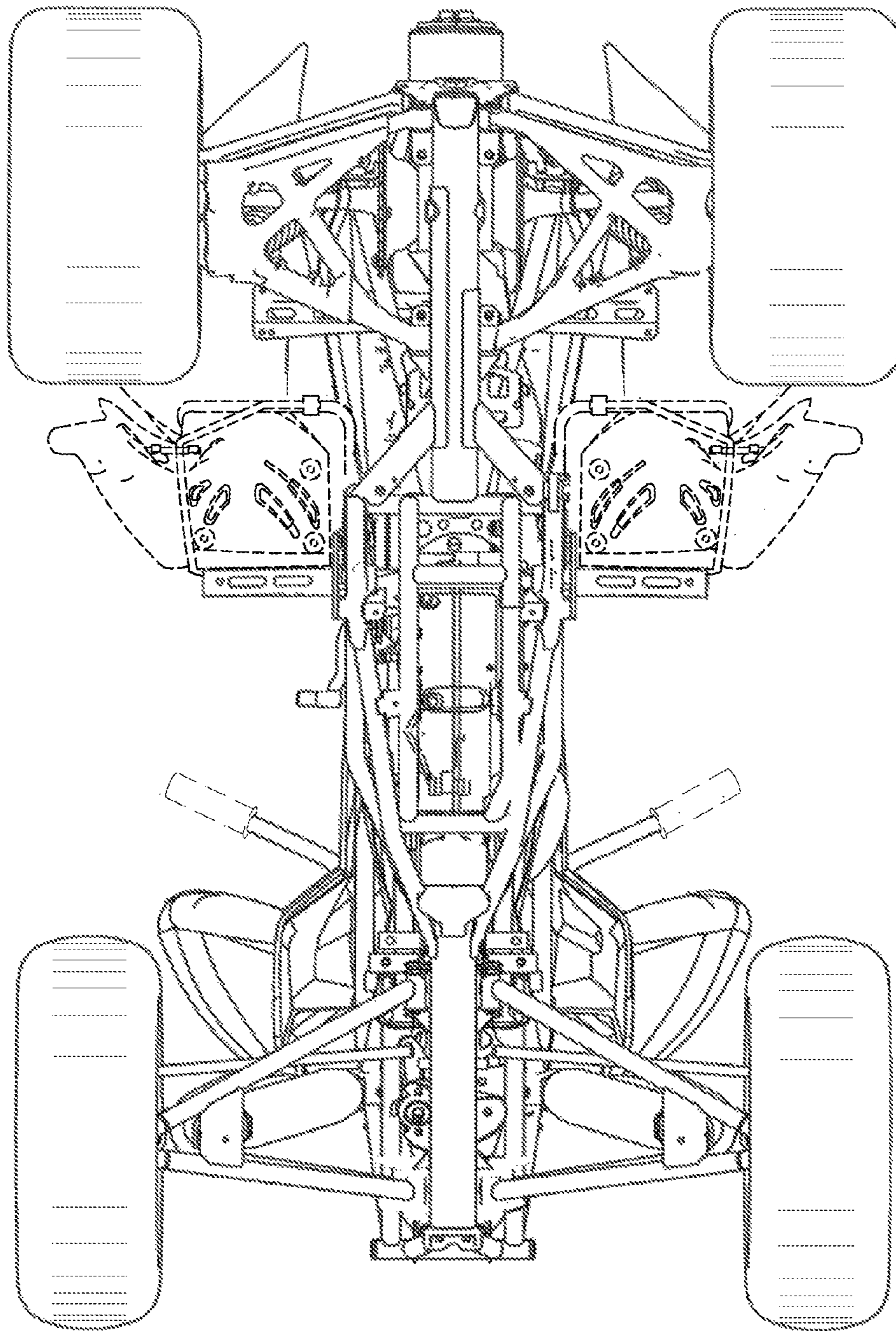


FIG. 7