

US00D624849S

(12) **United States Design Patent**  
**Ball et al.**

(10) **Patent No.:** **US D624,849 S**  
(45) **Date of Patent:** **\*\* Oct. 5, 2010**

(54) **PASSENGER VEHICLE**  
(75) Inventors: **Landon N. Ball**, North Augusta, SC  
(US); **Steven W. Houston**, Evans, GA  
(US); **James Vincenzetti**, Evans, GA  
(US); **James Consiglio**, Evans, GA (US)

D588,957 S 3/2009 Tuo  
D589,397 S 3/2009 Tuo  
2007/0216180 A1\* 9/2007 Hanson et al. .... 296/1.08  
2007/0251751 A1 11/2007 Ball et al.  
2007/0256881 A1 11/2007 Ball et al.  
2007/0267237 A1\* 11/2007 Hanson et al. .... 180/89.1  
2007/0267241 A1 11/2007 Ball

(73) Assignee: **Textron Innovations Inc.**, Providence,  
RI (US)

**FOREIGN PATENT DOCUMENTS**

(\*\*) Term: **14 Years**

WO WO-2004/067327 A2 8/2004  
WO WO-2004/067360 A1 8/2004

(21) Appl. No.: **29/341,903**

\* cited by examiner

(22) Filed: **Aug. 14, 2009**

*Primary Examiner*—T. Chase Nelson  
*Assistant Examiner*—Ania K Dworzecka  
(74) *Attorney, Agent, or Firm*—Harness, Dickey & Pierce,  
P.L.C.

(51) **LOC (9) Cl.** ..... **12-02**  
(52) **U.S. Cl.** ..... **D12/16**  
(58) **Field of Classification Search** ..... D12/87,  
D12/86, 1, 433, 15, 16, 107, 82, 88, 89, 90,  
D12/91, 92, 93, 14; D15/30; D21/803; 180/233,  
180/908; 280/DIG. 5, 183, 184, 185, 186,  
280/28, 37.7

(57) **CLAIM**

See application file for complete search history.

The ornamental design for a passenger vehicle, as shown and described.

(56) **References Cited**

**DESCRIPTION**

**U.S. PATENT DOCUMENTS**

5,588,690 A 12/1996 Showalter  
D439,549 S \* 3/2001 Shambeau et al. .... D12/14  
D493,749 S \* 8/2004 Duncan ..... D12/16  
D498,436 S 11/2004 Bonner et al.  
D498,704 S \* 11/2004 Bonner et al. .... D12/16  
6,883,846 B2 \* 4/2005 Cheek et al. .... 296/1.02  
D514,981 S 2/2006 Andrews et al.  
D520,937 S \* 5/2006 Eisenhauer ..... D12/401  
D533,326 S \* 12/2006 Sugai ..... D34/15  
D541,699 S \* 5/2007 Andrews et al. .... D12/16  
D571,689 S 6/2008 Andrews et al.  
7,422,082 B2 9/2008 Reffitt

FIG. 1 is a perspective view of a passenger vehicle showing our new design;

FIG. 2 is a front elevation view thereof;

FIG. 3 is a left side elevation view thereof;

FIG. 4 is a right side elevation view thereof;

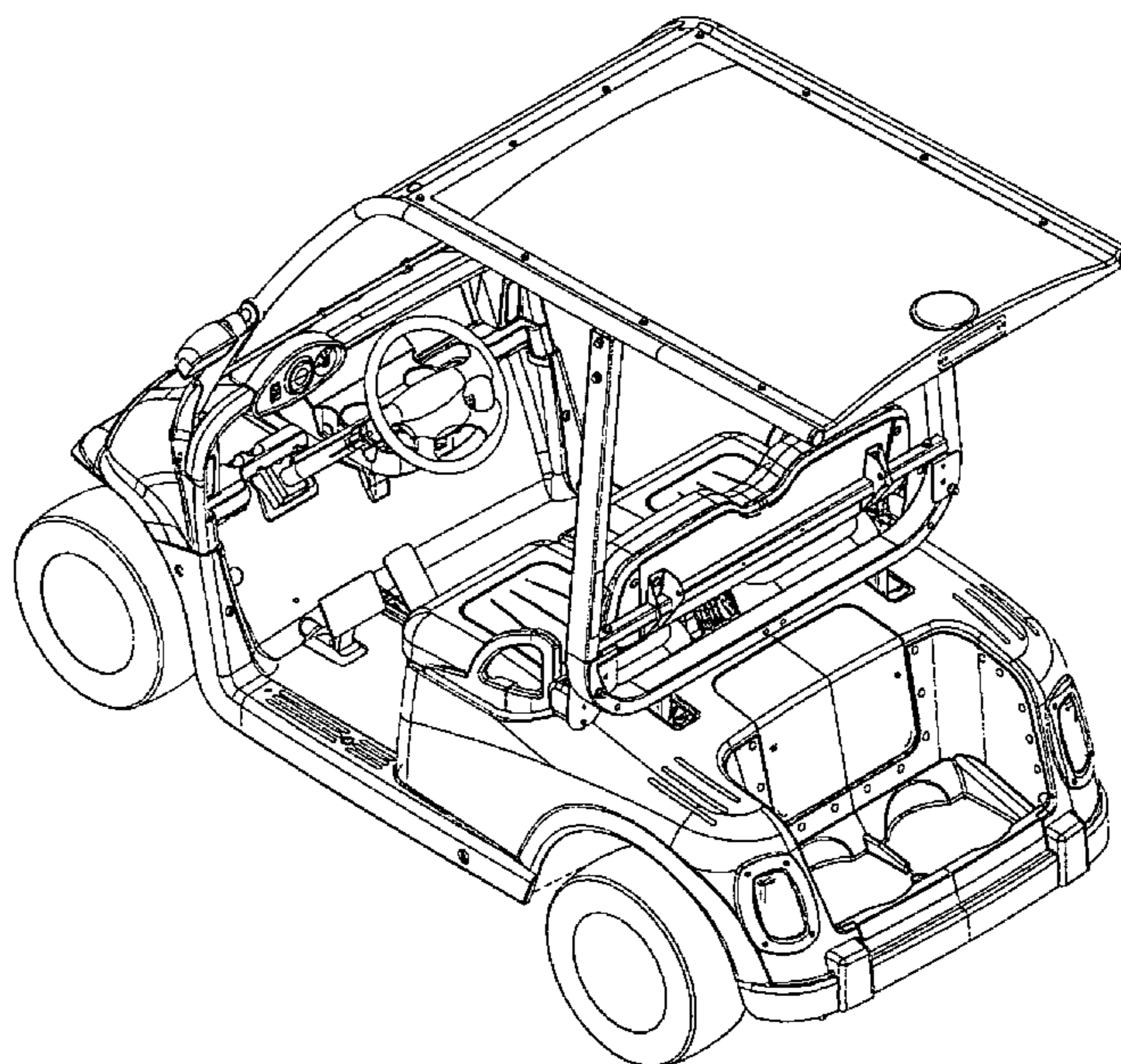
FIG. 5 is a top plan view thereof; and,

FIG. 6 is a rear elevation view thereof.

The bottom view is non-ornamental.

The broken line showing is for the purpose of illustrating the bottom of the vehicle, and forms no part of the claimed design.

**1 Claim, 6 Drawing Sheets**



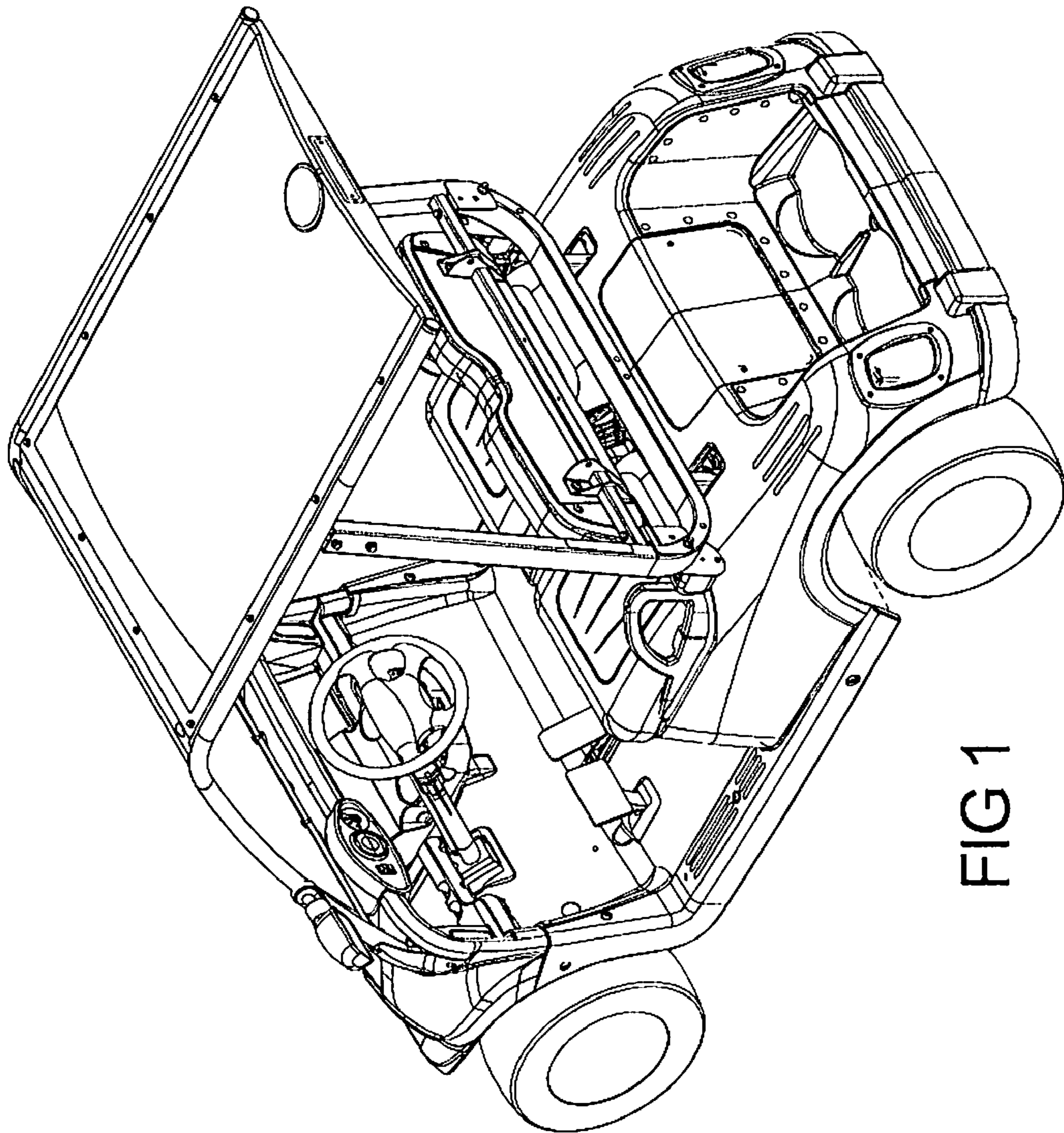


FIG 1

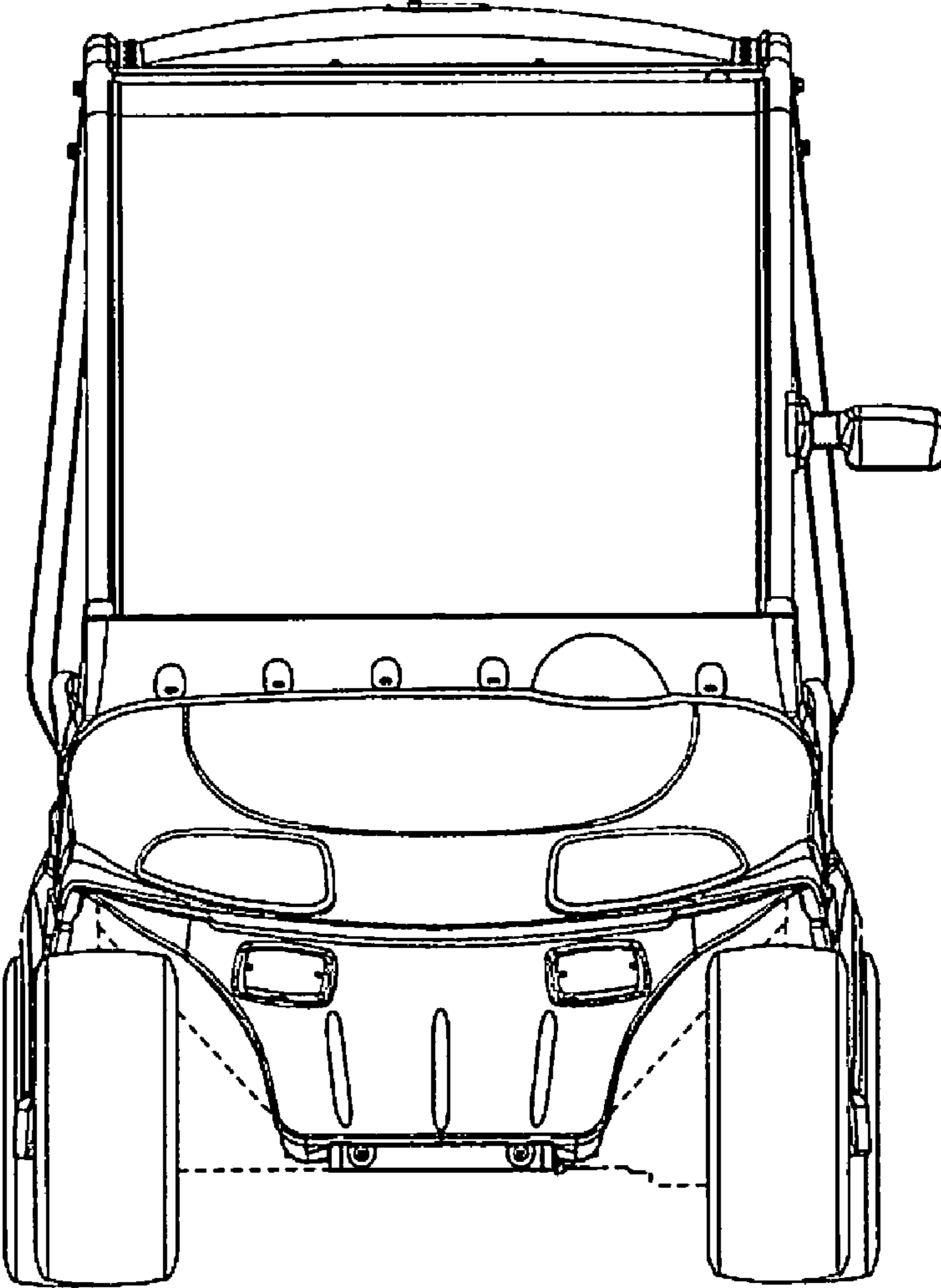


FIG 2

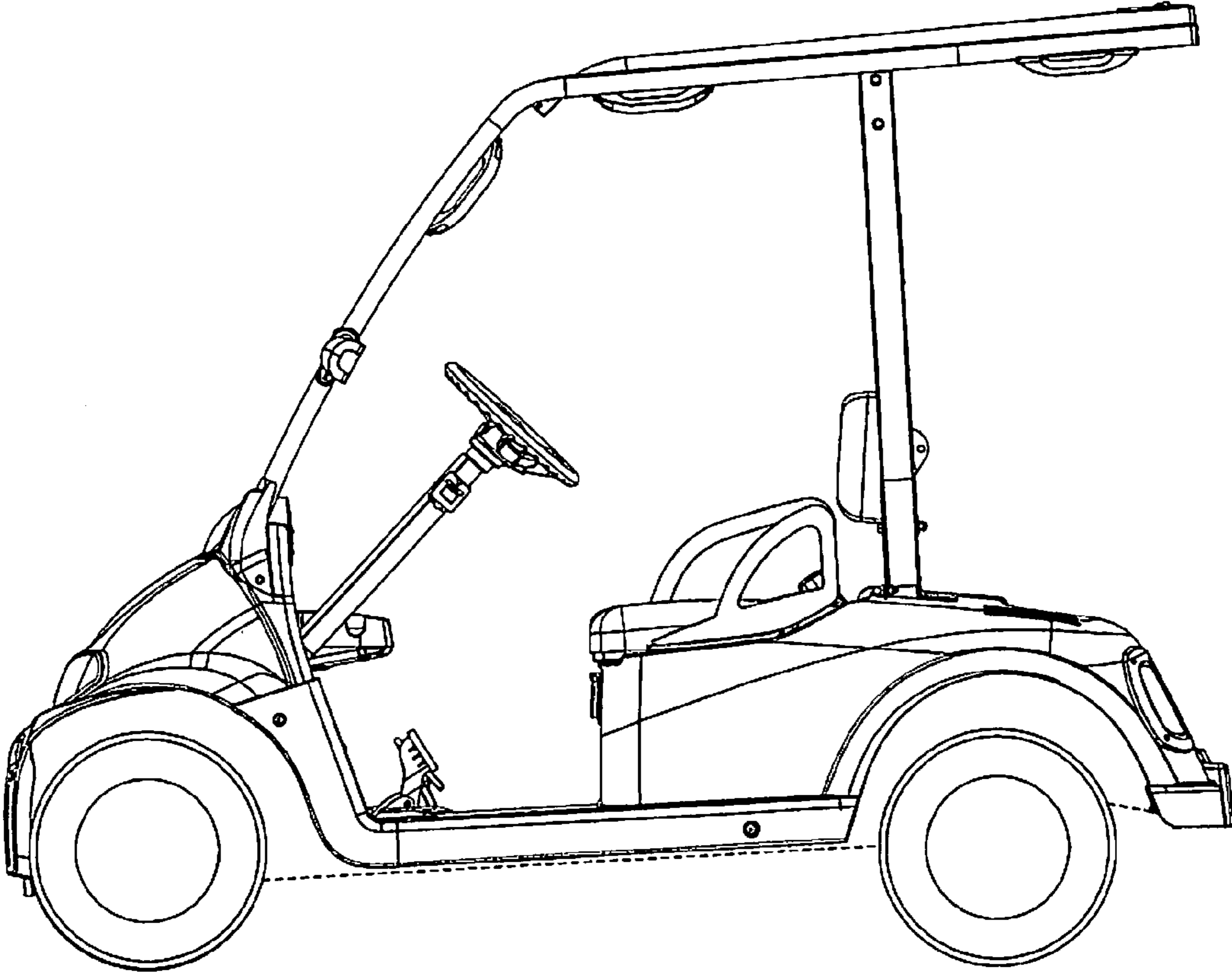


FIG 3

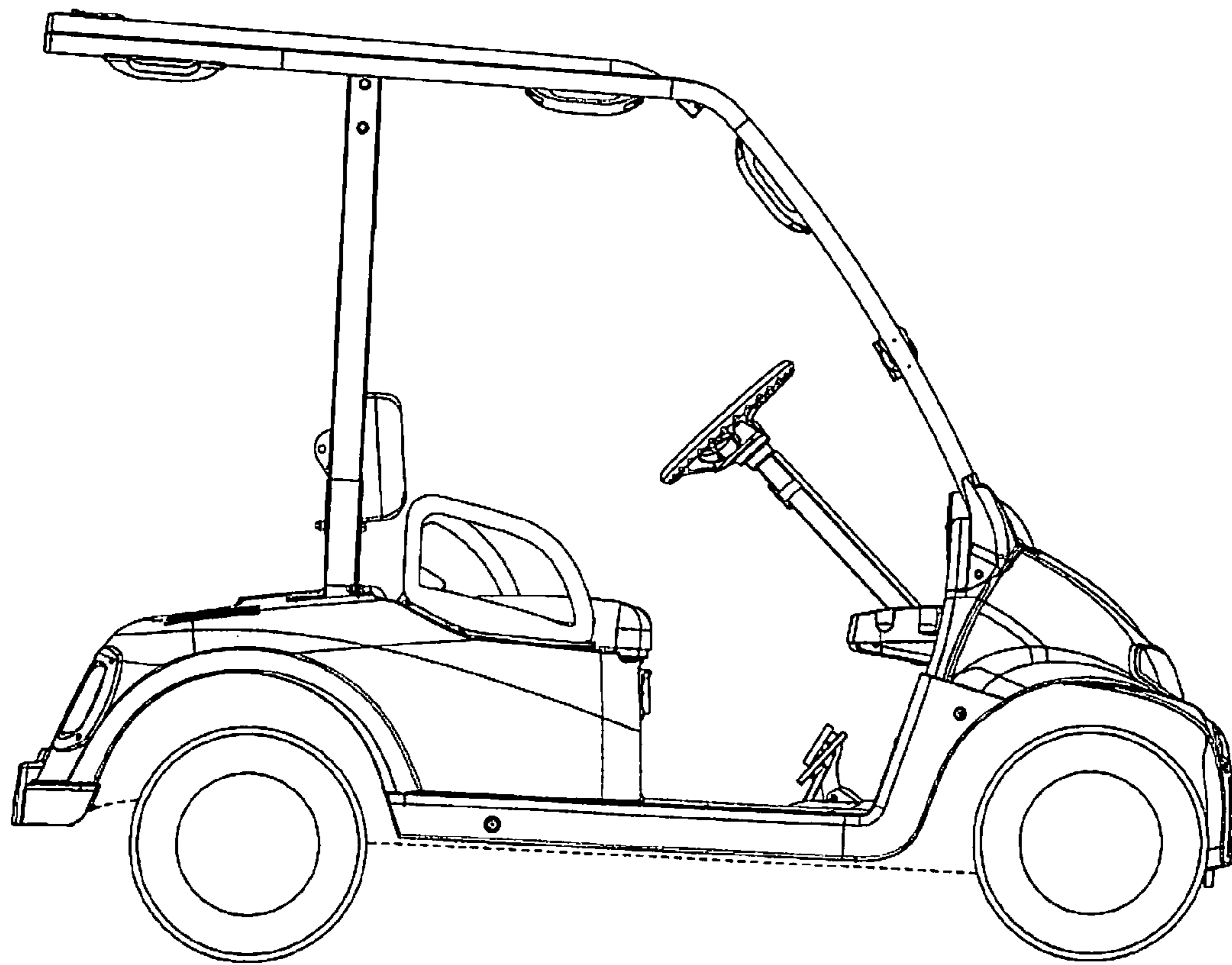


FIG 4

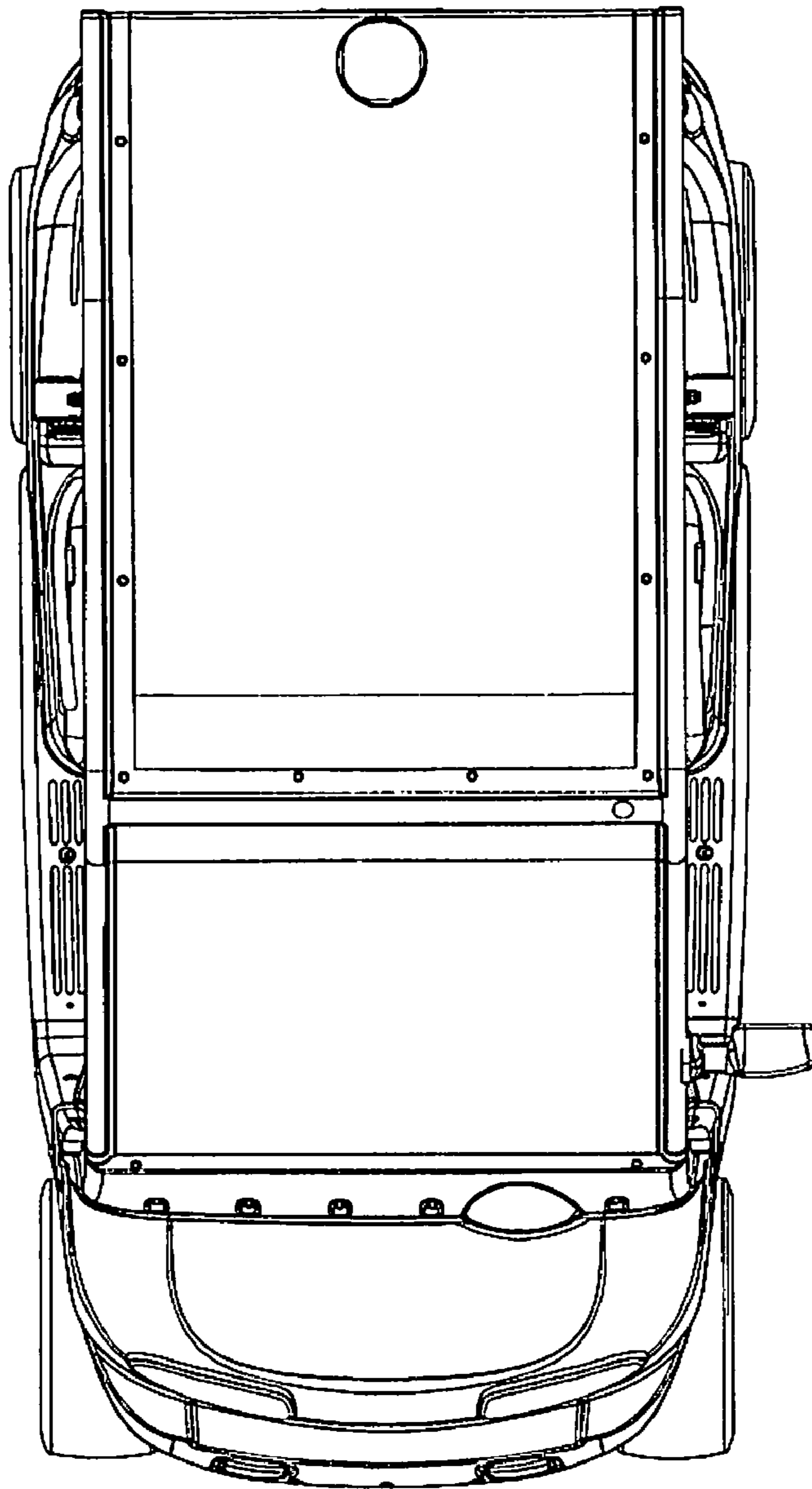


FIG 5

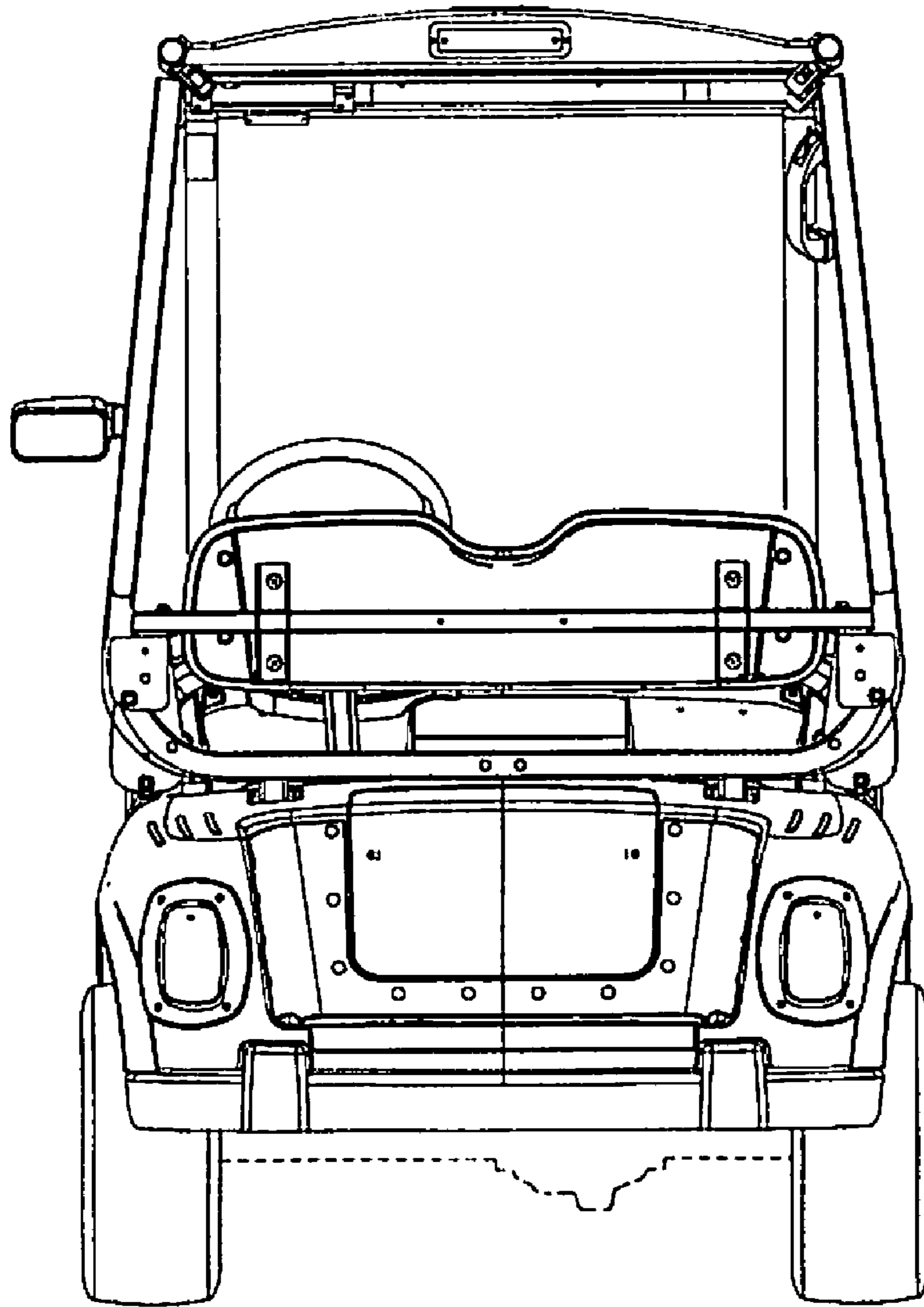


FIG 6