



US00D624846S

(12) **United States Design Patent**
Schick

(10) **Patent No.:** **US D624,846 S**

(45) **Date of Patent:** **** Oct. 5, 2010**

(54) **TRAY WITH MULTIPLE SEPARATE SPACES FOR PLANTS**

(75) Inventor: **Werner Schick**, Neuenkirchen (DE)

(73) Assignee: **Poepplmann Holding GmbH & Co. KG**, Lohne (DE)

(**) Term: **14 Years**

(21) Appl. No.: **29/346,523**

(22) Filed: **Nov. 2, 2009**

(51) **LOC (9) Cl.** **11-02**

(52) **U.S. Cl.** **D11/156**

(58) **Field of Classification Search** D6/403-405, D6/556-558; D8/1; D11/143-156, 164; D19/77, 80-82, 84; D25/100; D26/9-11, D26/16-18, 20, 22; D34/1, 2, 4-6; D99/5, D99/19; 47/32.7, 33, 39, 41.01, 41.1, 41.12, 47/41.13, 41.15, 44-47, 65.5, 65.9, 66.1, 47/66.3-66.6, 67-70

See application file for complete search history.

(56) **References Cited**

U.S. PATENT DOCUMENTS

D322,707 S *	12/1991	Iverson	D11/156
D323,416 S *	1/1992	Iverson	D11/156
D481,221 S *	10/2003	Tse	D6/403
D545,500 S *	6/2007	McCambridge	D19/77
7,454,864 B2 *	11/2008	Smith et al.	47/87
2005/0155285 A1 *	7/2005	Urban et al.	47/32.7
2009/0260284 A1 *	10/2009	Barbalho	47/65.9

* cited by examiner

Primary Examiner—Garth Rademaker

(74) *Attorney, Agent, or Firm*—Porter, Wright, Morris & Arthur, LLP

(57) **CLAIM**

The ornamental design for a tray with multiple separate spaces for plants, as shown and described.

DESCRIPTION

FIG. 1 is a perspective view of a tray with multiple separate spaces for plants according to a first embodiment of my new design, shown in a closed state;

FIG. 2 is a top plan view thereof;

FIG. 3 is a left side elevation view thereof;

FIG. 4 is a right side elevation view thereof;

FIG. 5 is a front elevation view thereof, the rear elevation view being identical thereto;

FIG. 6 is a perspective view thereof, shown in an opened state;

FIG. 7 is a top plan view thereof;

FIG. 8 is a left side elevation view thereof, the right side elevation view being identical thereto;

FIG. 9 is a perspective view of a tray with multiple separate spaces for plants according to a second embodiment of my new design, shown in a closed state;

FIG. 10 is a top plan view thereof;

FIG. 11 is a left side elevation view thereof, the right side elevation view being identical thereto;

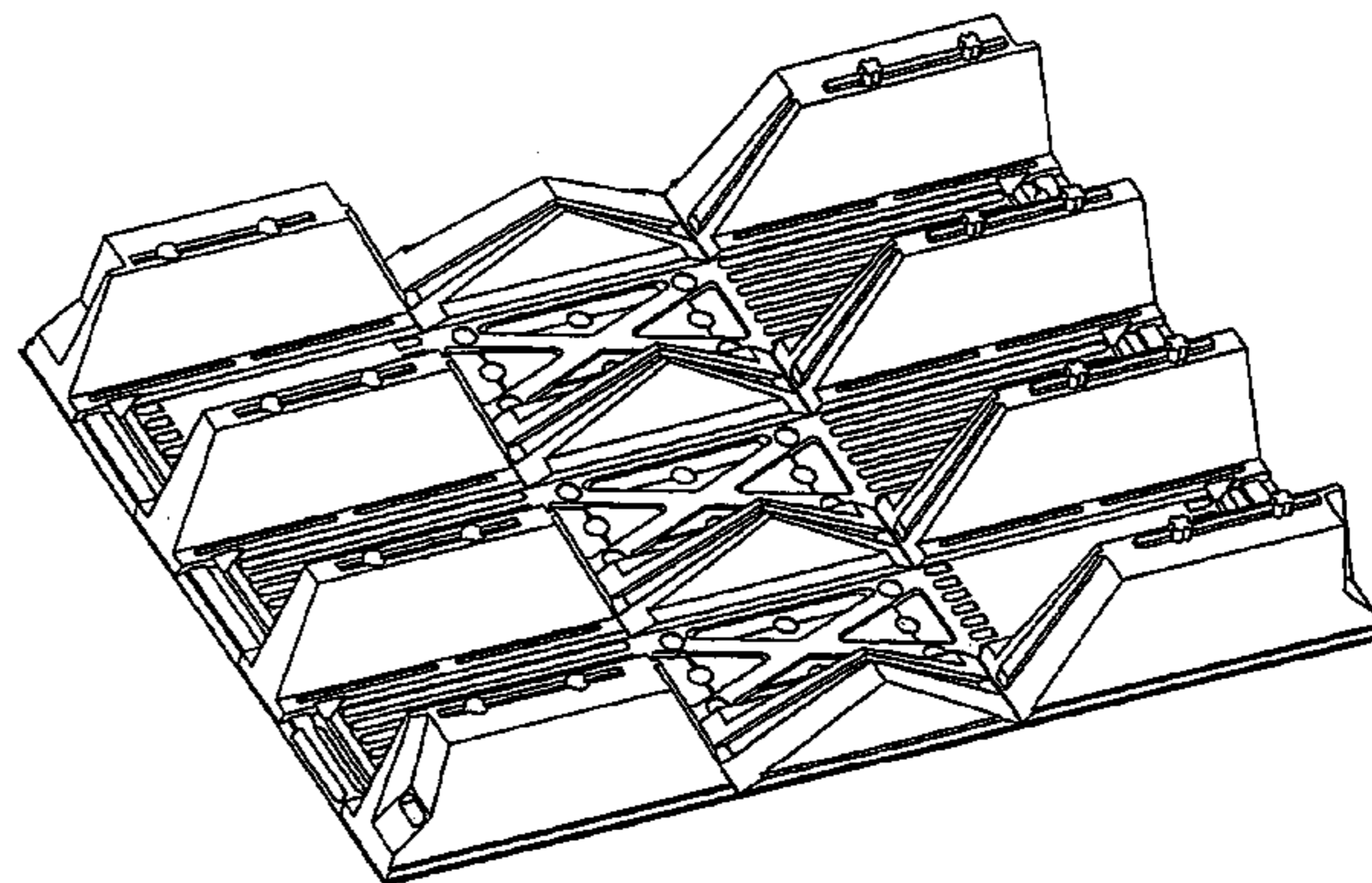
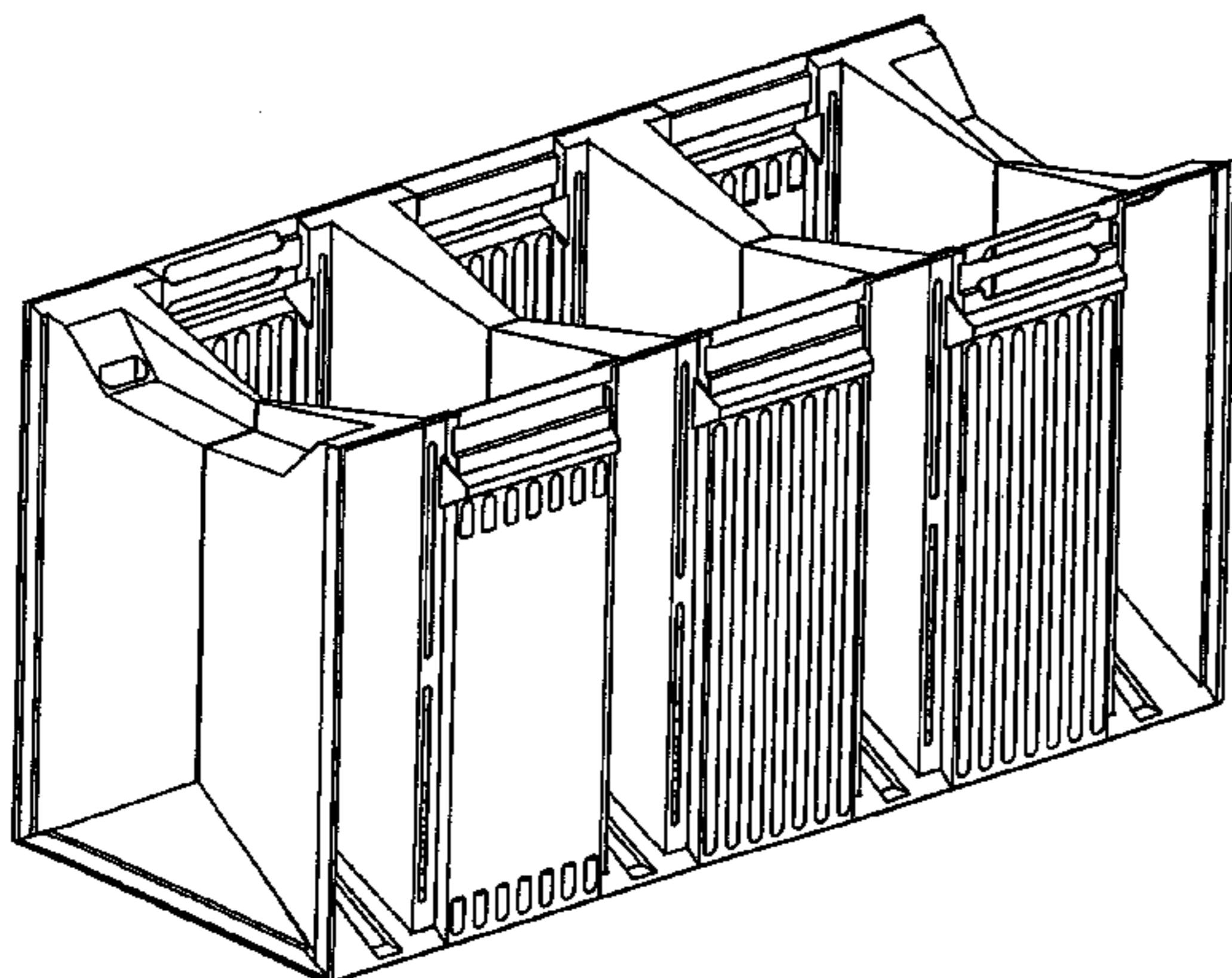
FIG. 12 is a front elevation view thereof;

FIG. 13 is a perspective view thereof, shown in an opened position;

FIG. 14 is a top plan view thereof; and,

FIG. 15 is a left side elevation view thereof, the right side elevation view being identical thereto.

1 Claim, 15 Drawing Sheets



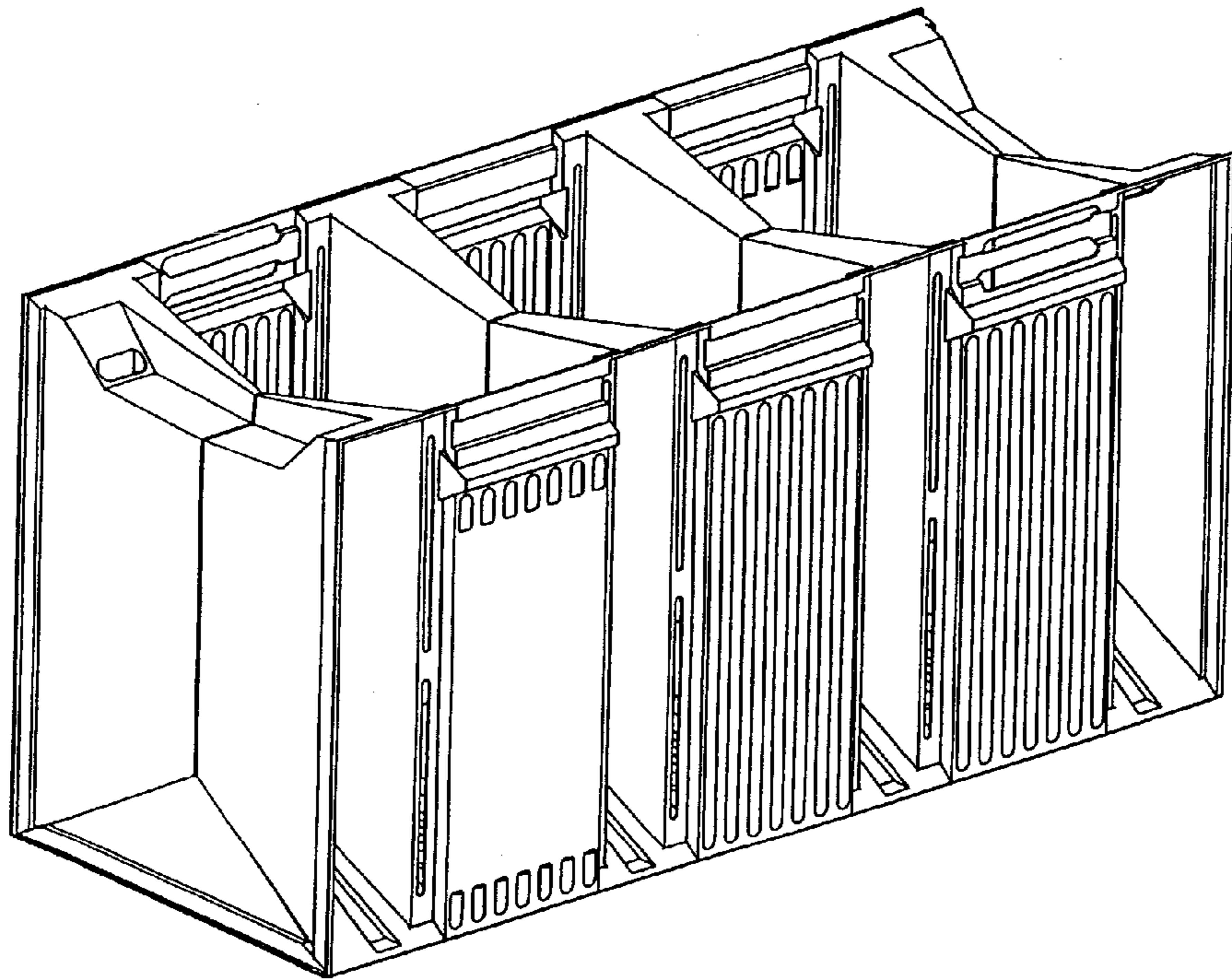


FIG. 1

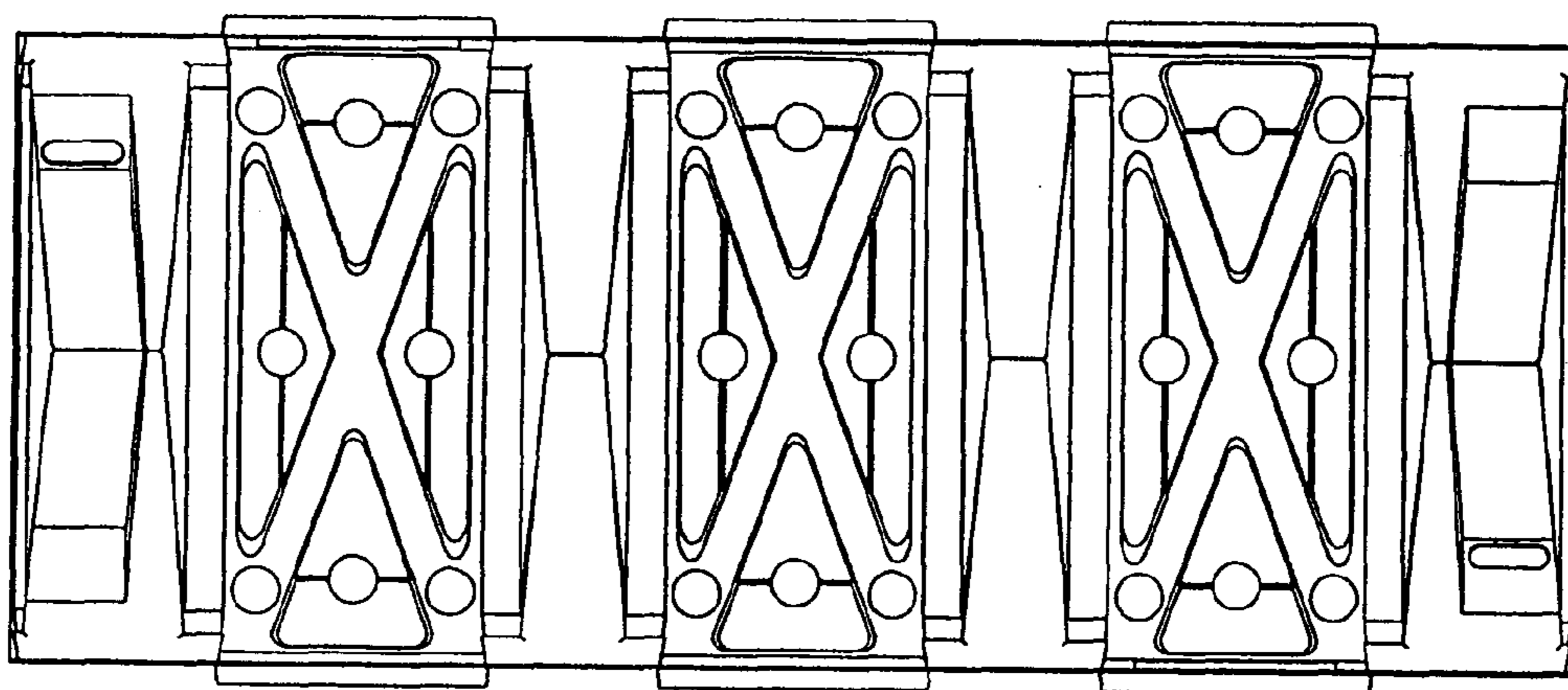


FIG. 2

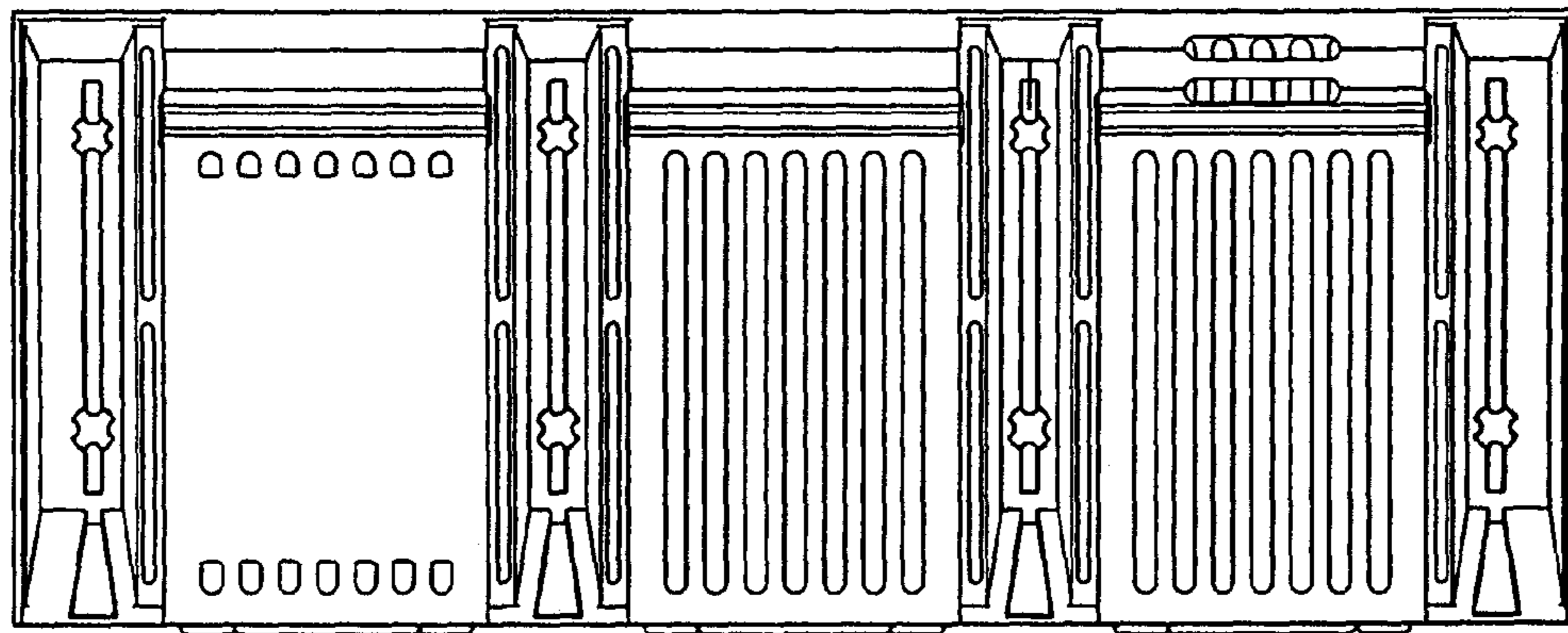


FIG. 3

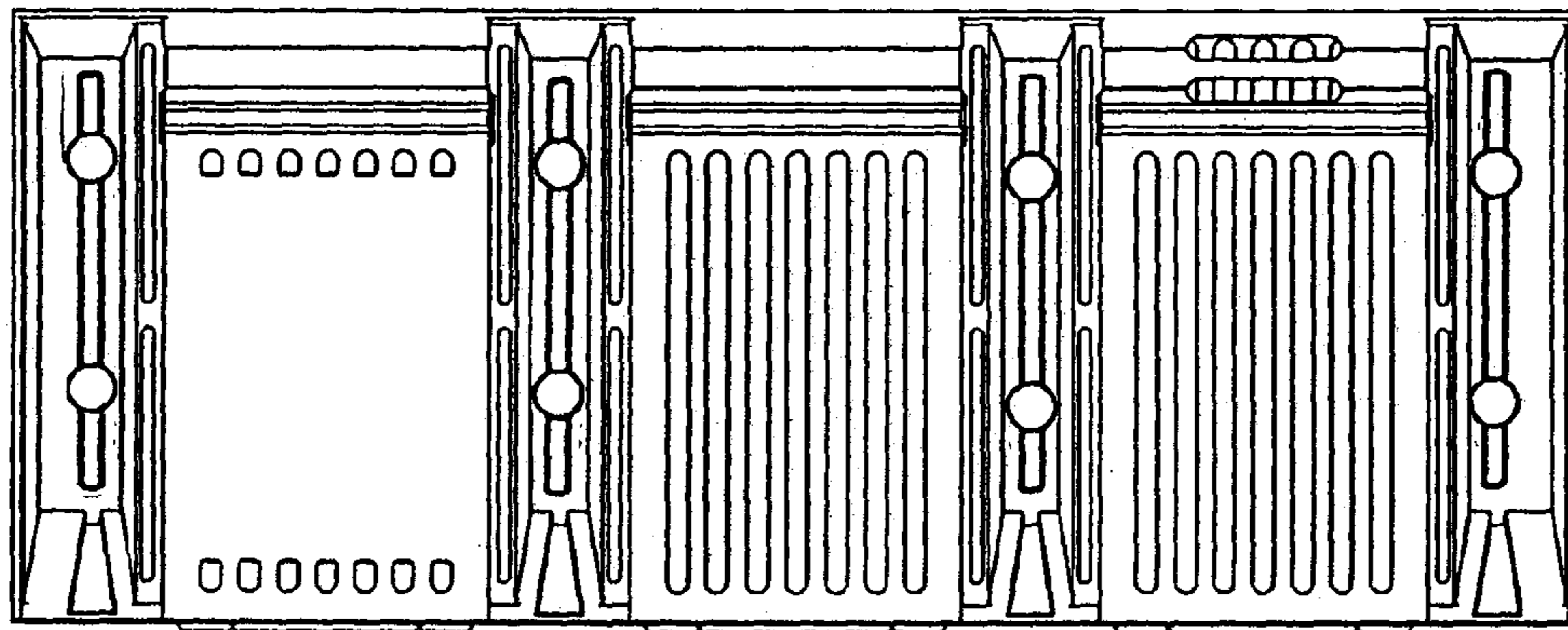


FIG. 4

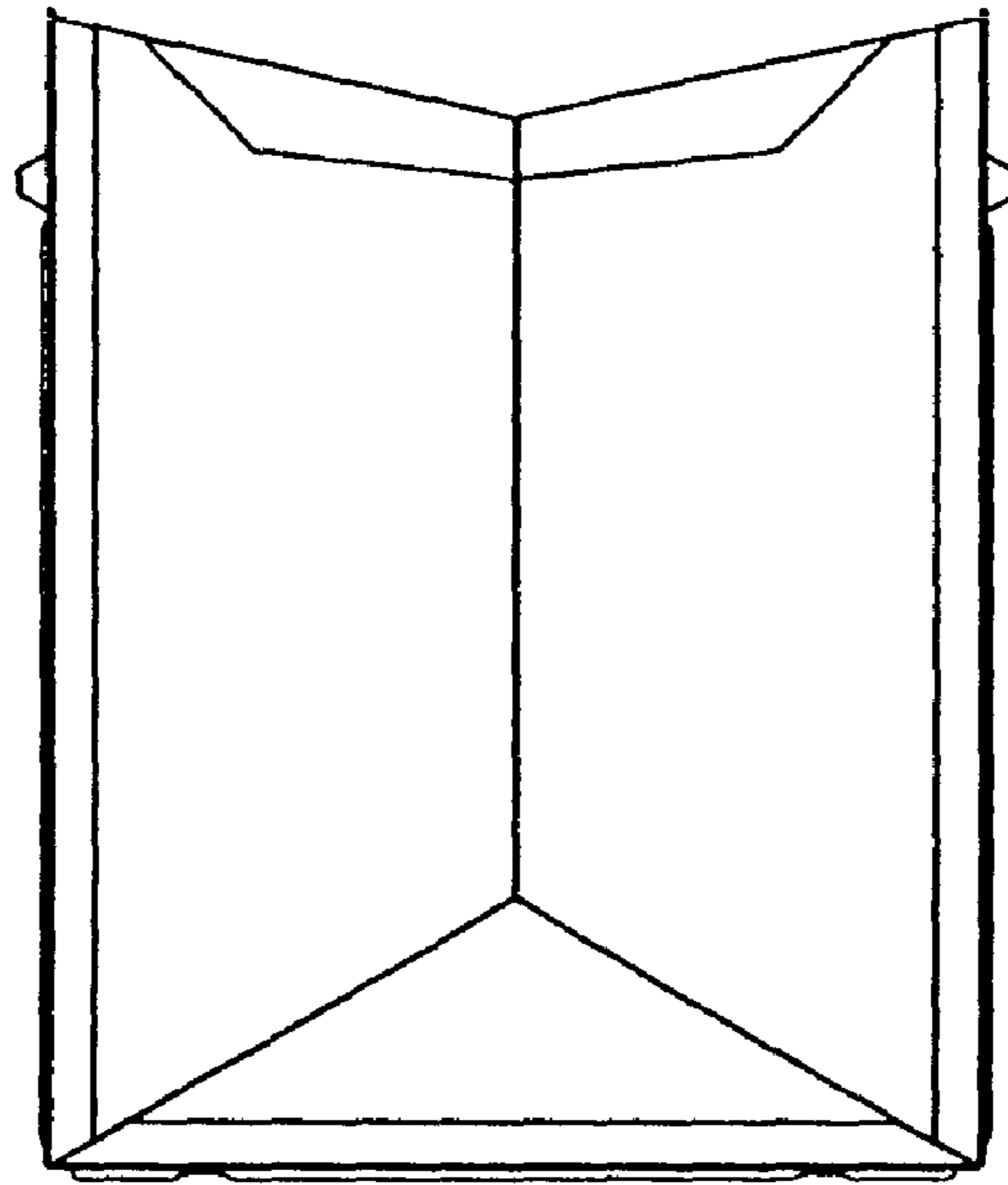


FIG. 5

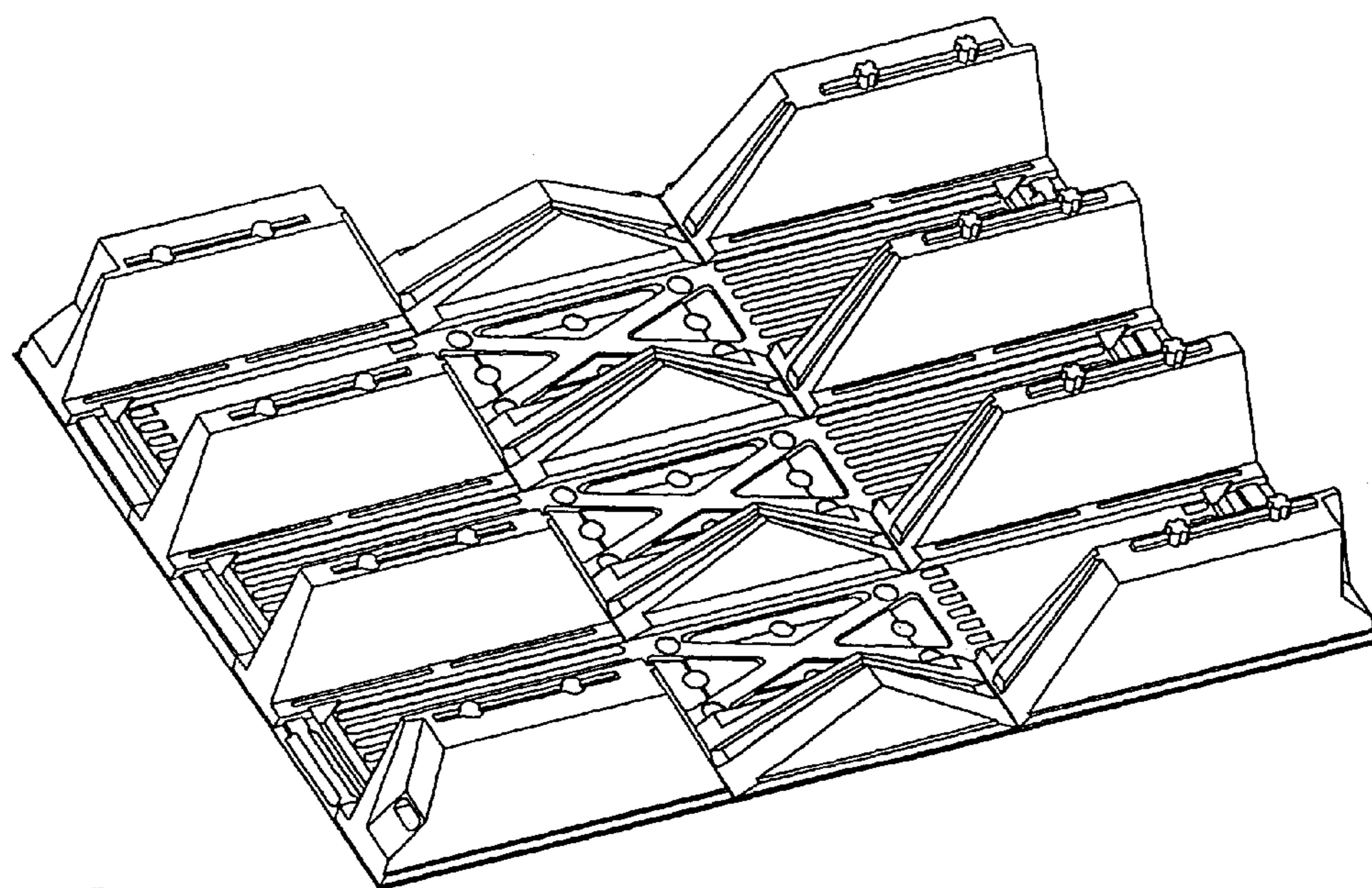


FIG. 6

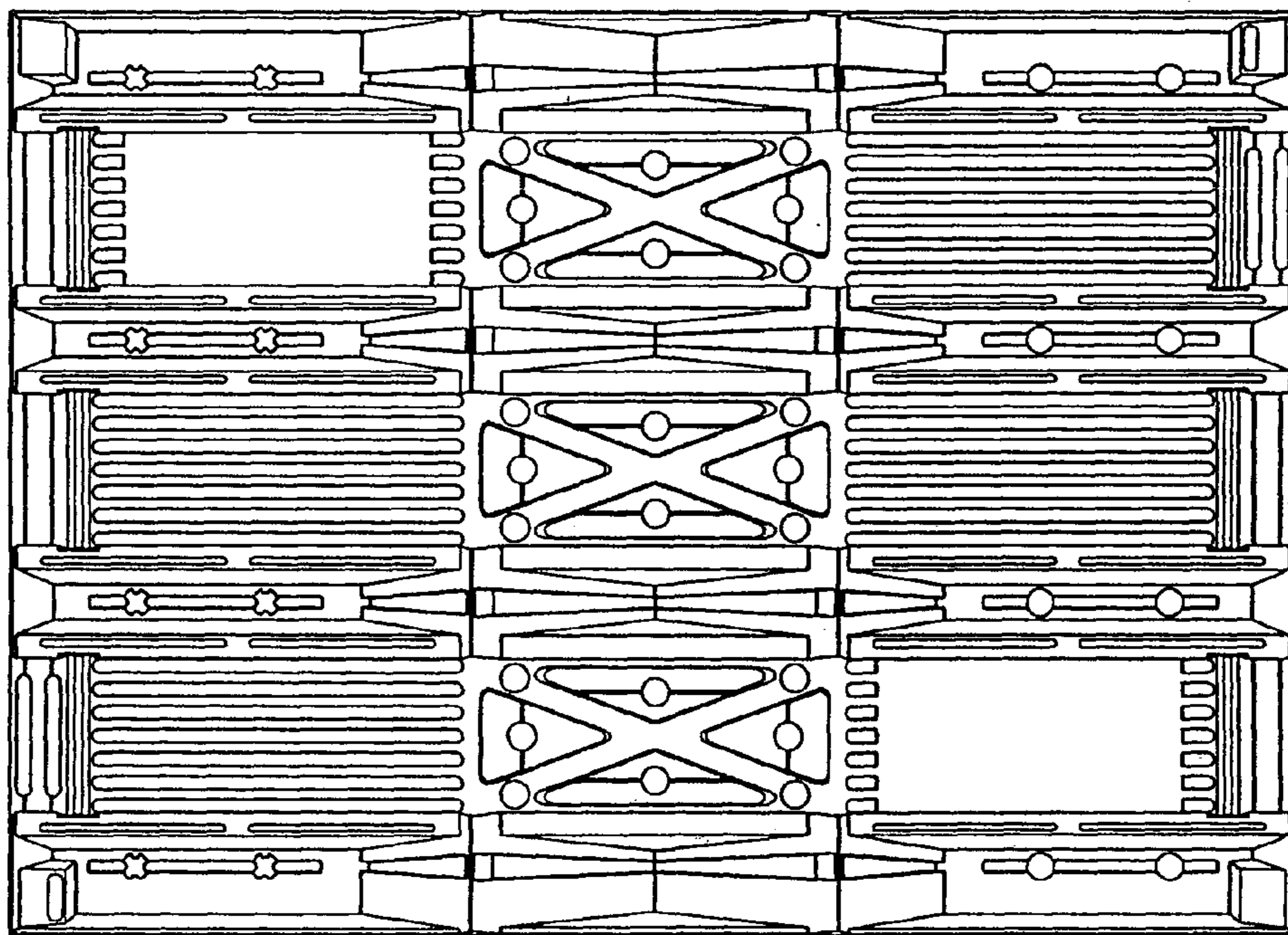


FIG. 7

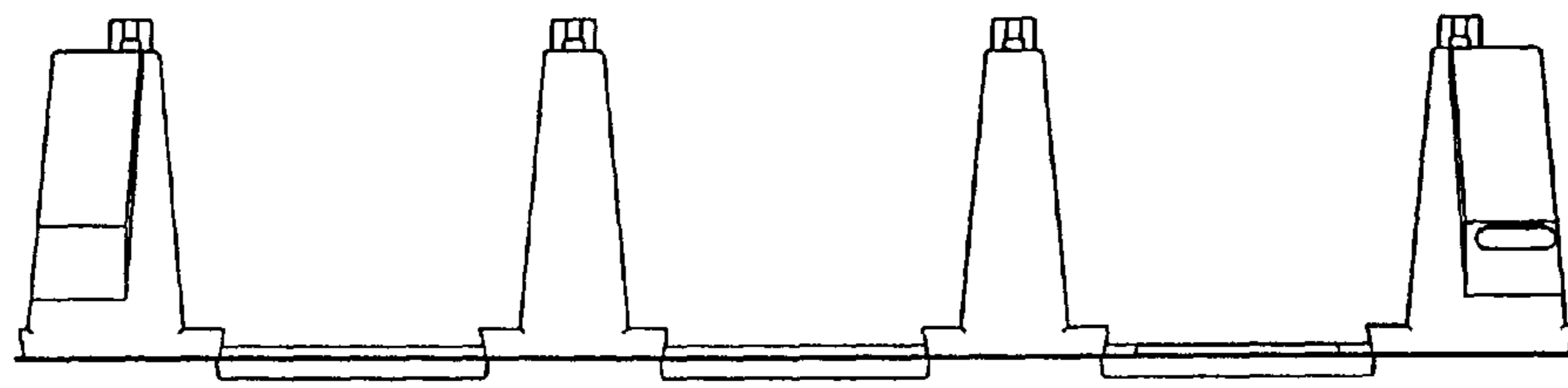


FIG. 8

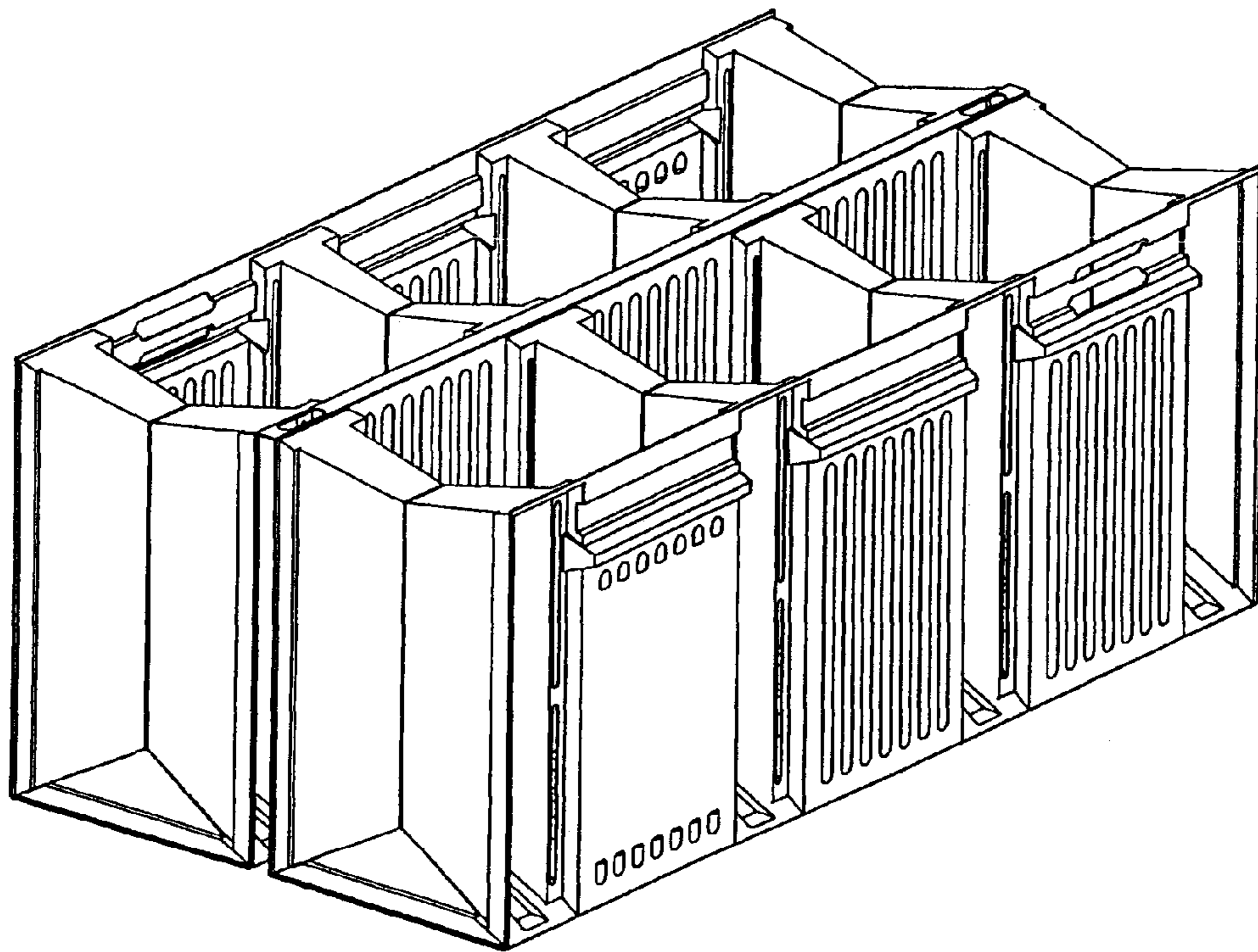


FIG. 9

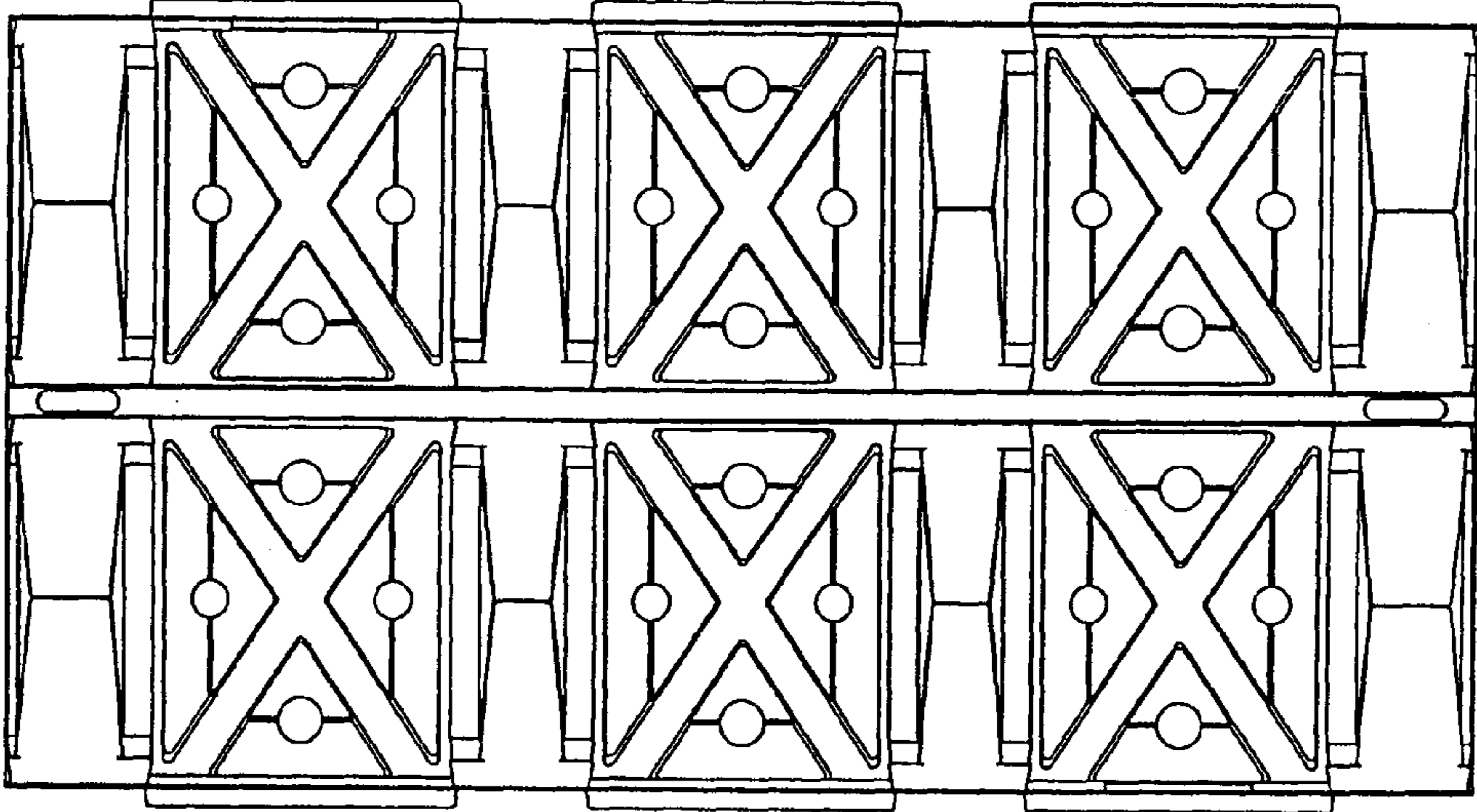


FIG. 10

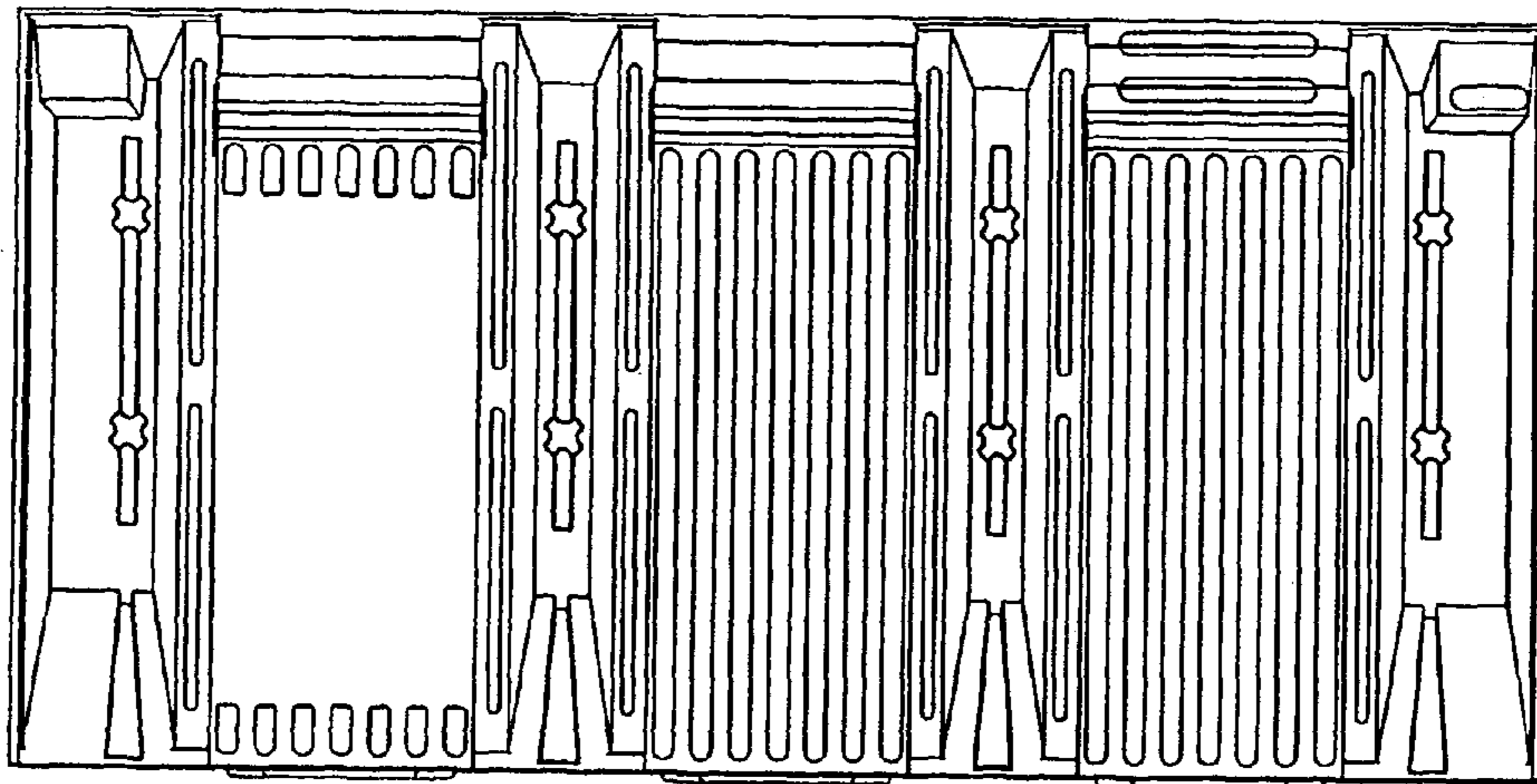


FIG. 11

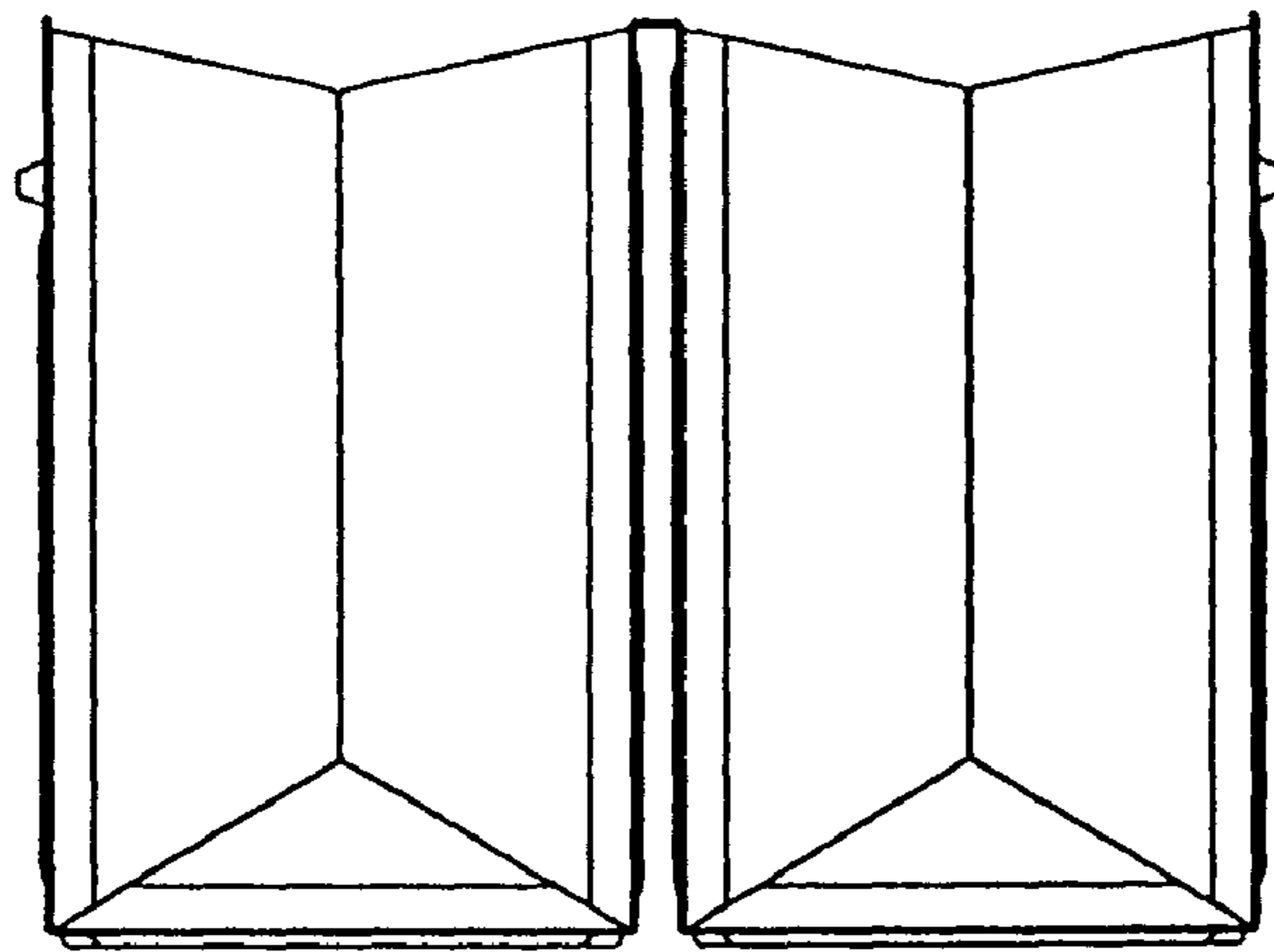


FIG. 12

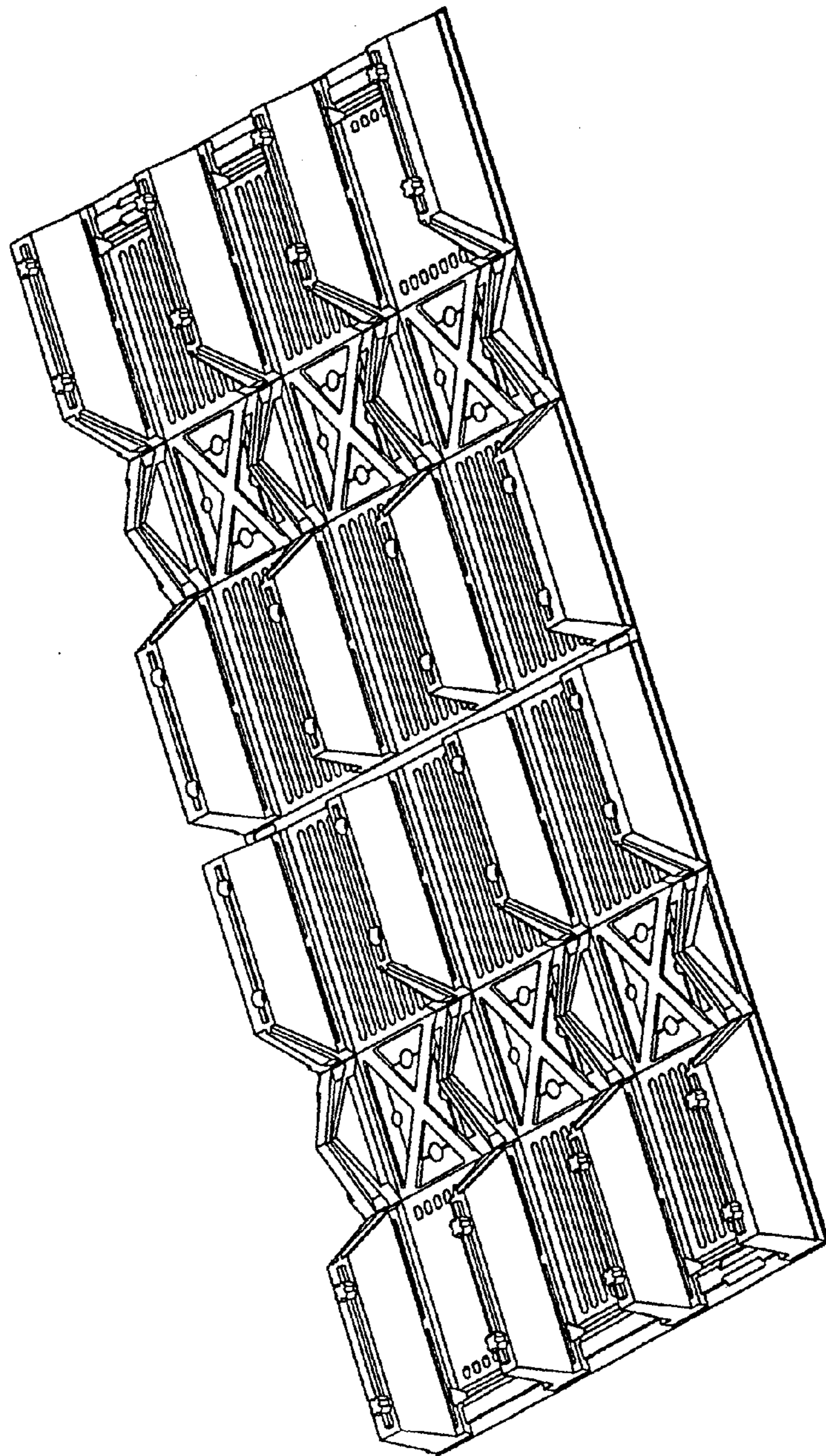


FIG. 13

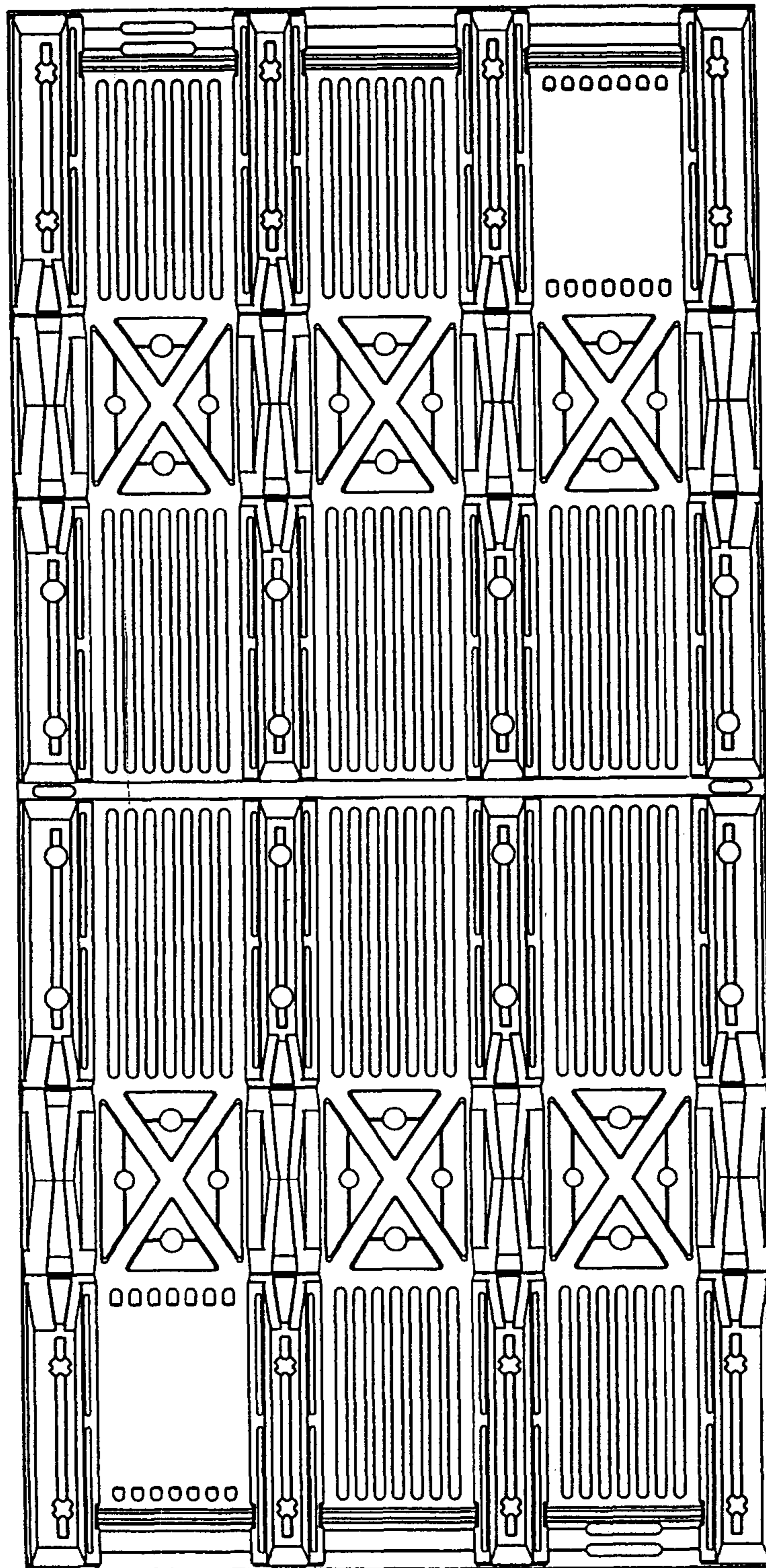


FIG. 14

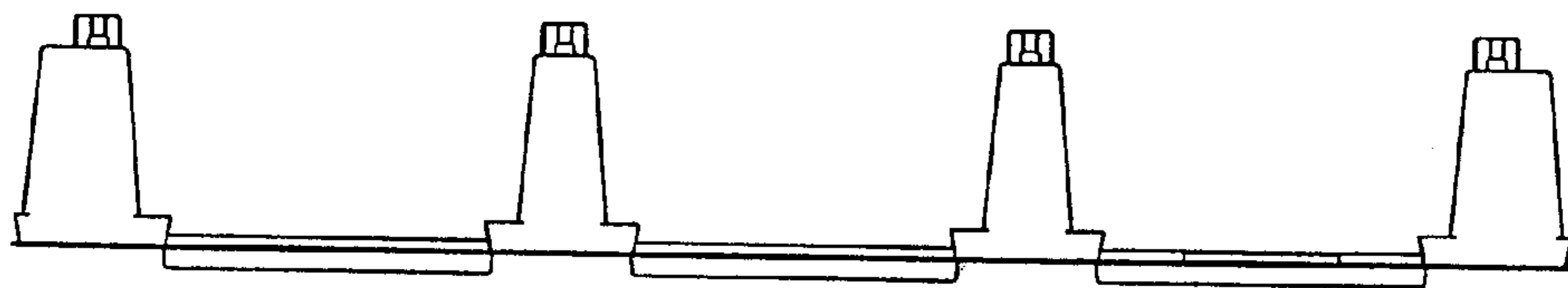


FIG. 15