



US00D624837S

(12) **United States Design Patent**  
**Liu**

(10) **Patent No.:** **US D624,837 S**

(45) **Date of Patent:** **\*\* Oct. 5, 2010**

(54) **HOLDER FOR AN ELECTRONIC DEVICE**

(75) Inventor: **Kun-Yen Liu**, Keelung (TW)

(73) Assignee: **Mitac International Corp.**, Taoyuan (TW)

(\*\*) Term: **14 Years**

(21) Appl. No.: **29/362,983**

(22) Filed: **Jun. 2, 2010**

(51) **LOC (9) Cl.** ..... **10-04**

(52) **U.S. Cl.** ..... **D10/74**

(58) **Field of Classification Search** ..... D8/349;  
D10/74; D14/347; 73/178 R; 248/346.01,  
248/671, 904, 314, 309.1, 689, 670, 122.1,  
248/125.1, 128, 130, 133, 139, 176.1, 313;  
340/995; 342/351, 419, 457, 357.06–357.13;  
343/702; 345/87, 104, 133, 156, 168, 173,  
345/901–905; 348/180, 184, 315, 739; 364/200,  
364/434, 443, 444, 449, 451, 708.1, 709.1;  
701/206–209, 213–214; 206/305, 701, 335;  
220/810–817; 224/400, 483, 282, 428–462  
See application file for complete search history.

(56) **References Cited**

**U.S. PATENT DOCUMENTS**

D315,093 S \* 3/1991 Hanna ..... D8/380  
6,322,030 B1 \* 11/2001 Marra ..... 248/284.1

D560,523 S \* 1/2008 Nakamura et al. .... D10/74  
D565,980 S \* 4/2008 Reeson et al. .... D10/74  
D580,804 S \* 11/2008 Gretton ..... D10/74  
D589,386 S \* 3/2009 Gretton ..... D10/74

\* cited by examiner

*Primary Examiner*—Antoine D Davis

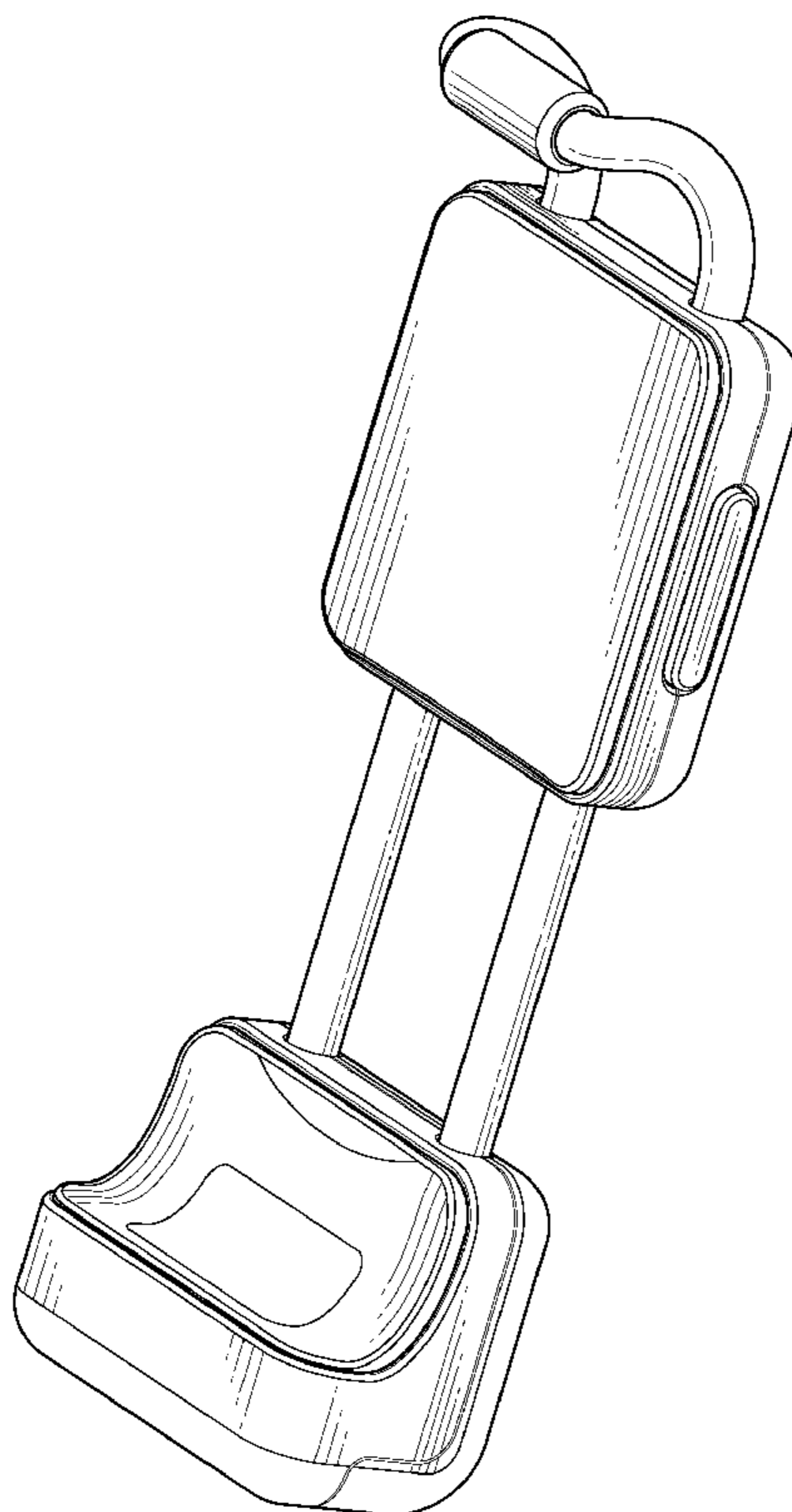
(57) **CLAIM**

The ornamental design for holder for an electronic device, as shown and described.

**DESCRIPTION**

FIG. 1 is a front perspective view thereof;  
FIG. 2 is a front view thereof;  
FIG. 3 is a rear view thereof;  
FIG. 4 is a left side view thereof;  
FIG. 5 is a right side view thereof;  
FIG. 6 is a top plan view thereof;  
FIG. 7 is a bottom plan view thereof;  
FIG. 8 is a rear perspective view thereof;  
FIG. 9 is another front perspective view thereof; and,  
FIG. 10 is another rear perspective view thereof.  
The broken lines shown in FIGS. 9 and 10 depict environment and form no part of the claimed design.

**1 Claim, 10 Drawing Sheets**



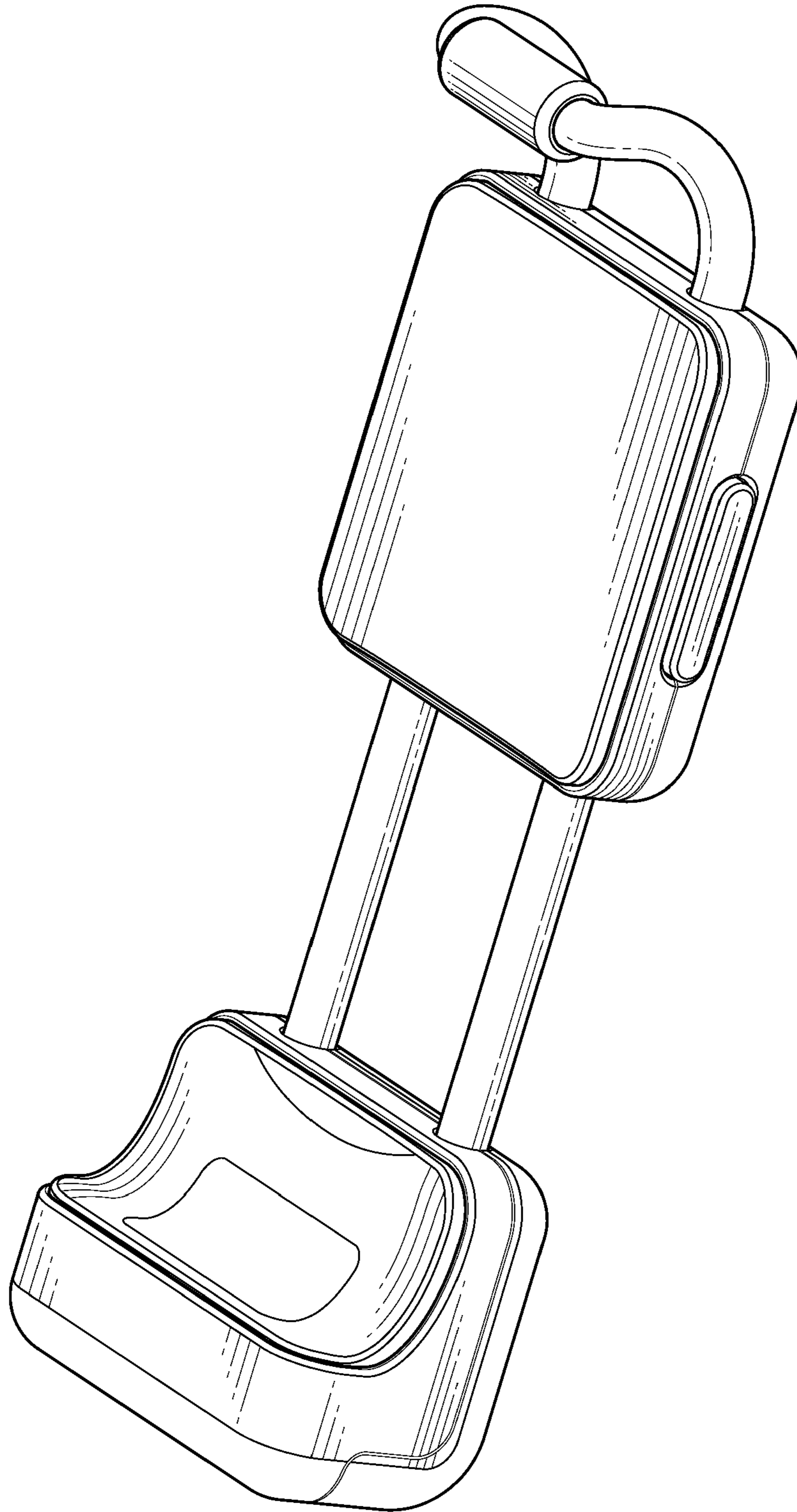


FIG. 1

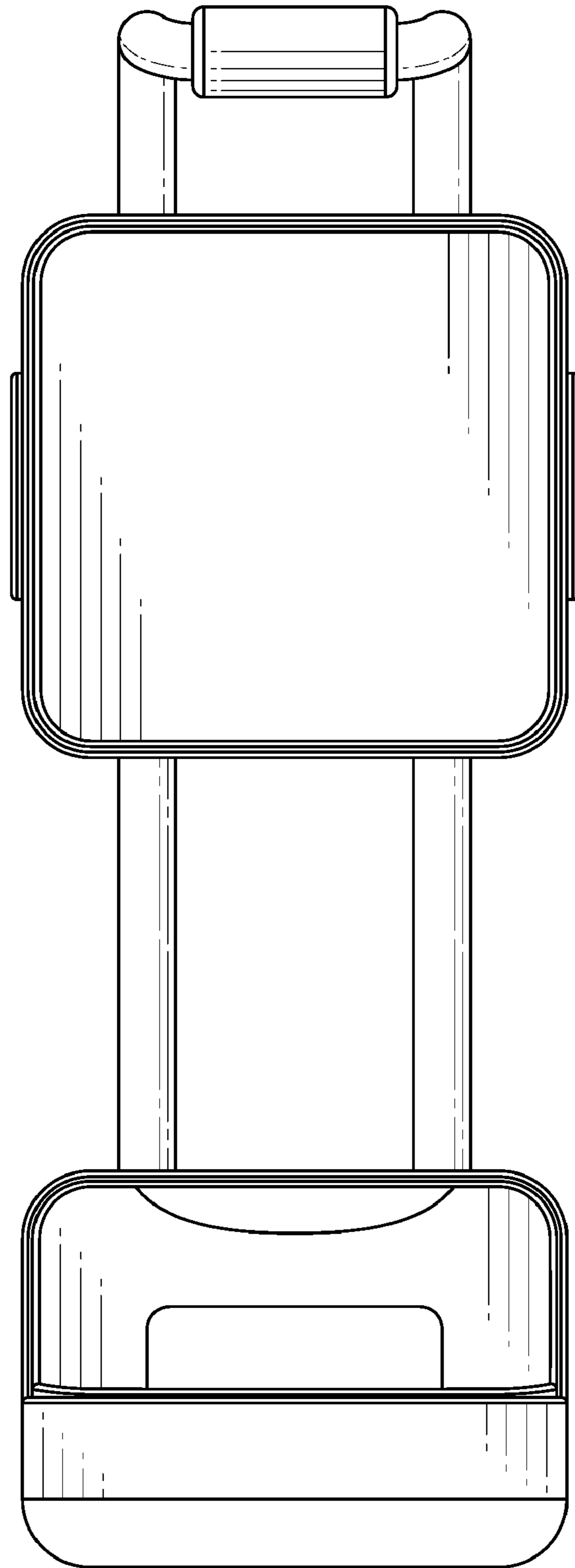


FIG. 2

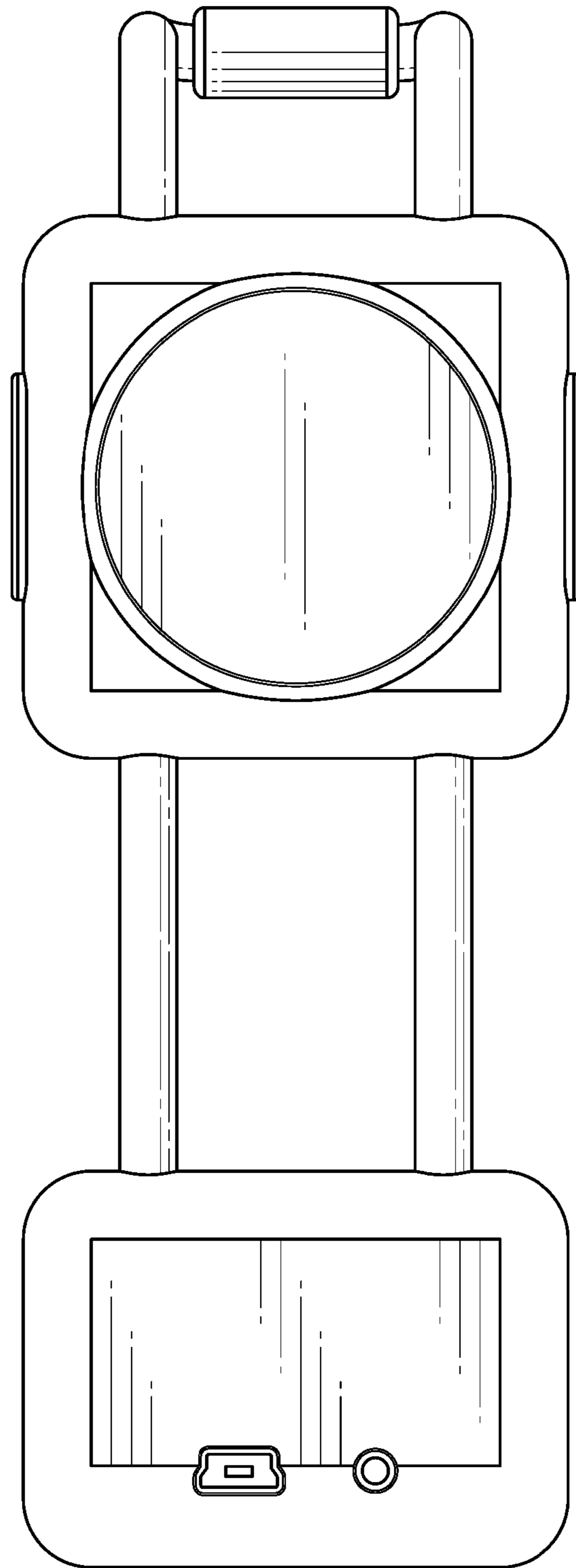


FIG. 3

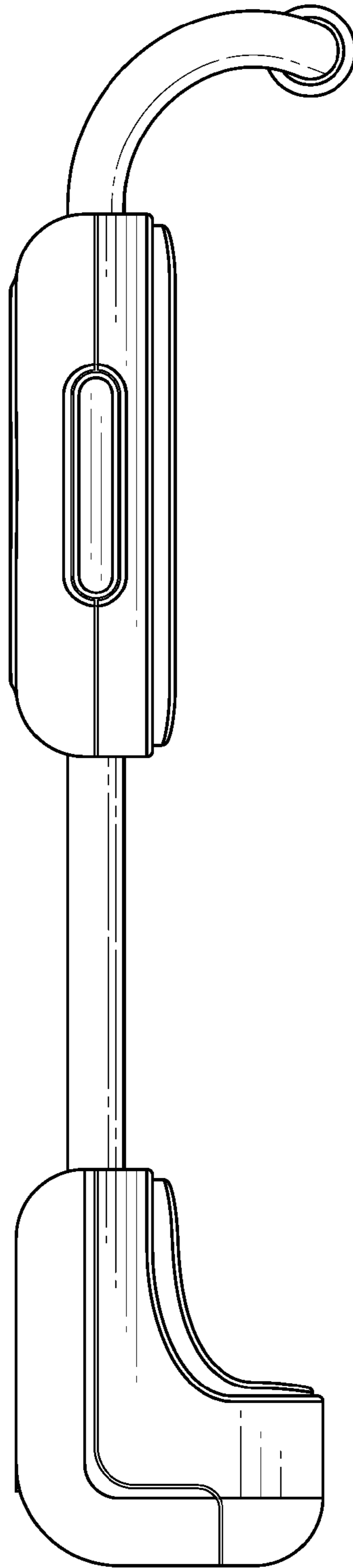


FIG. 4

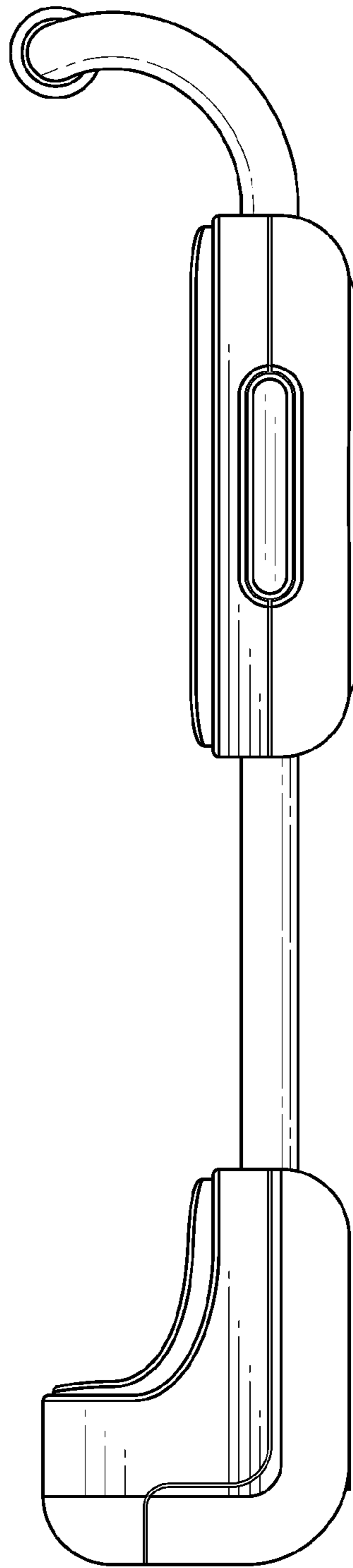


FIG. 5

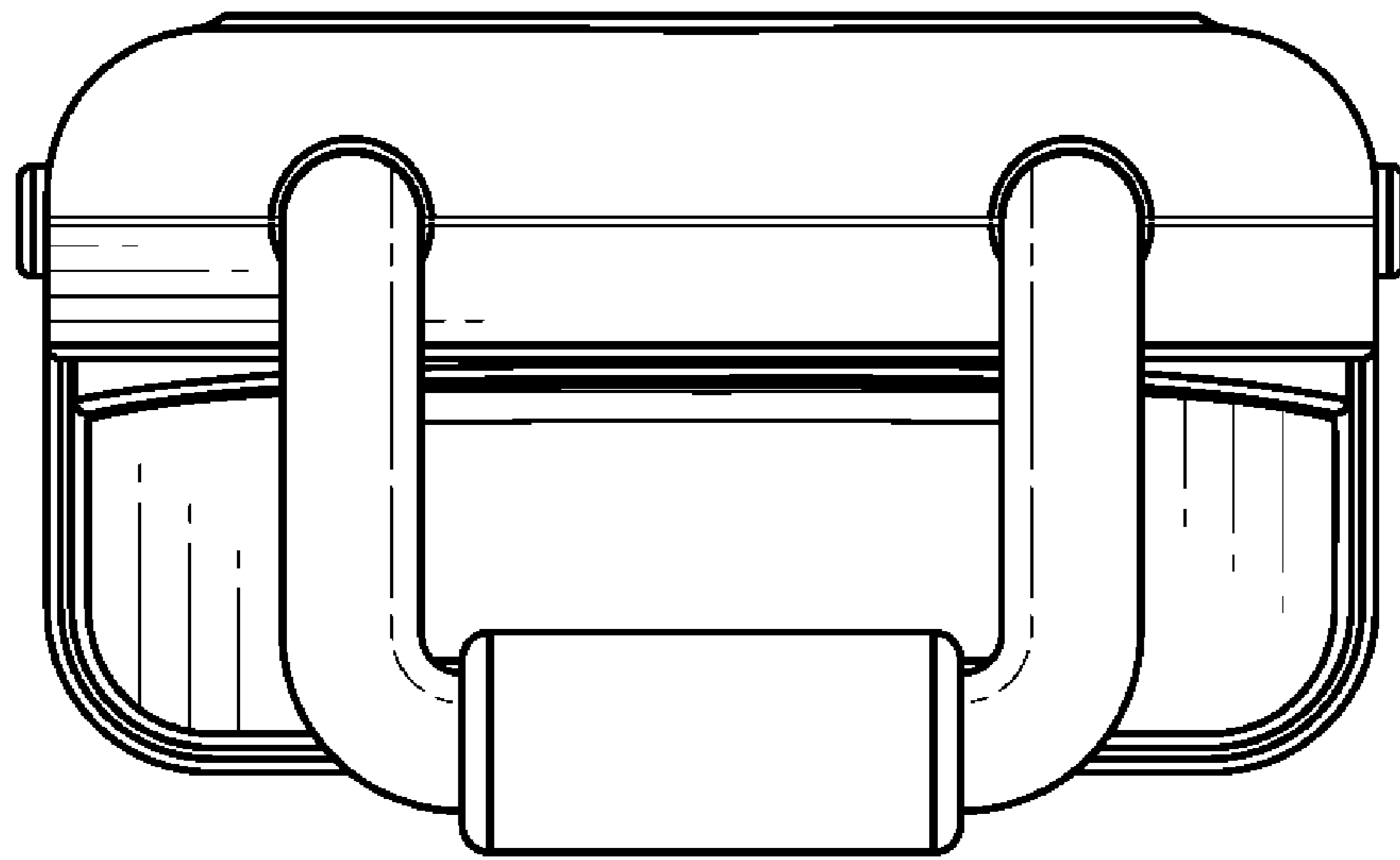


FIG. 6

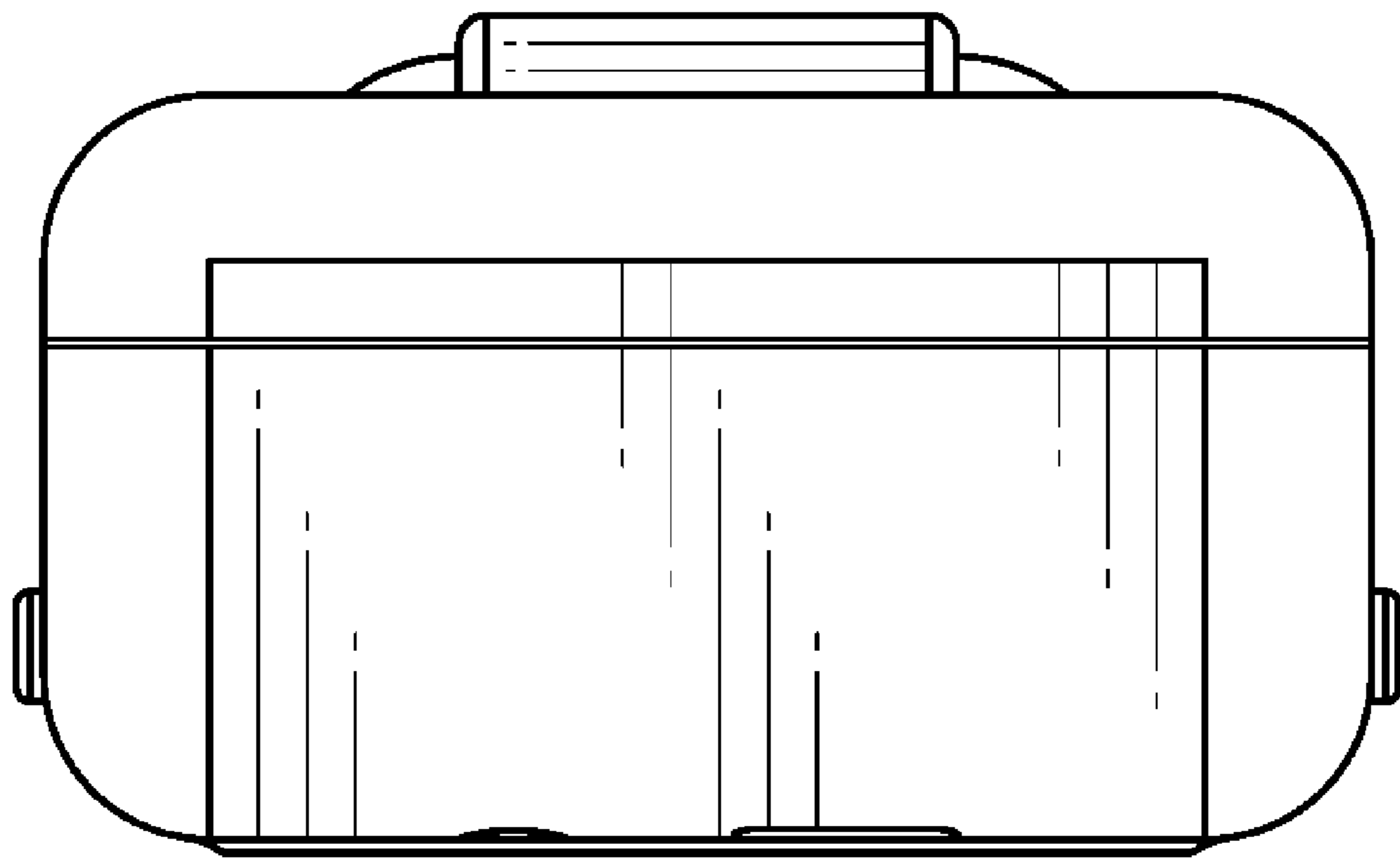


FIG. 7



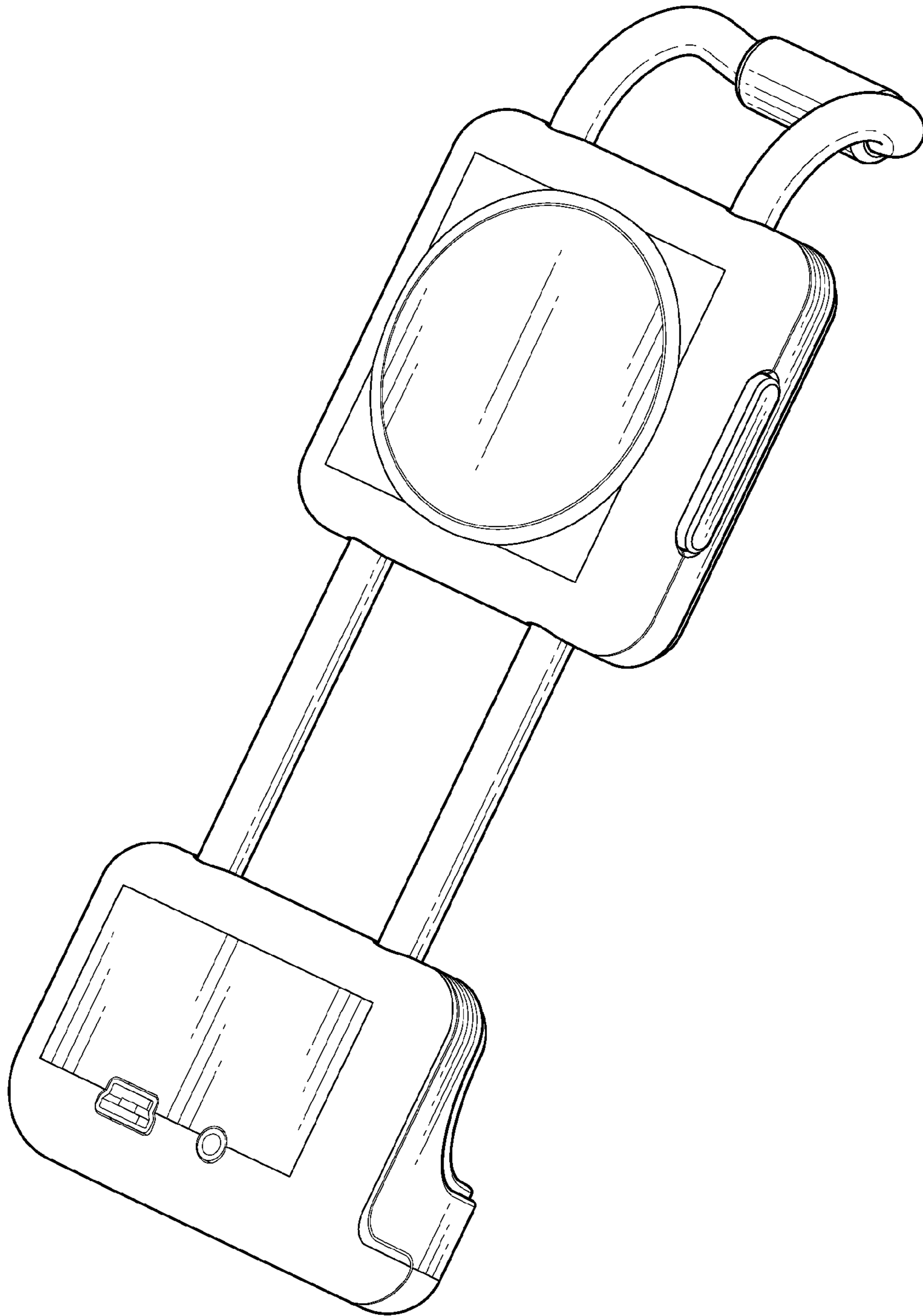


FIG. 8

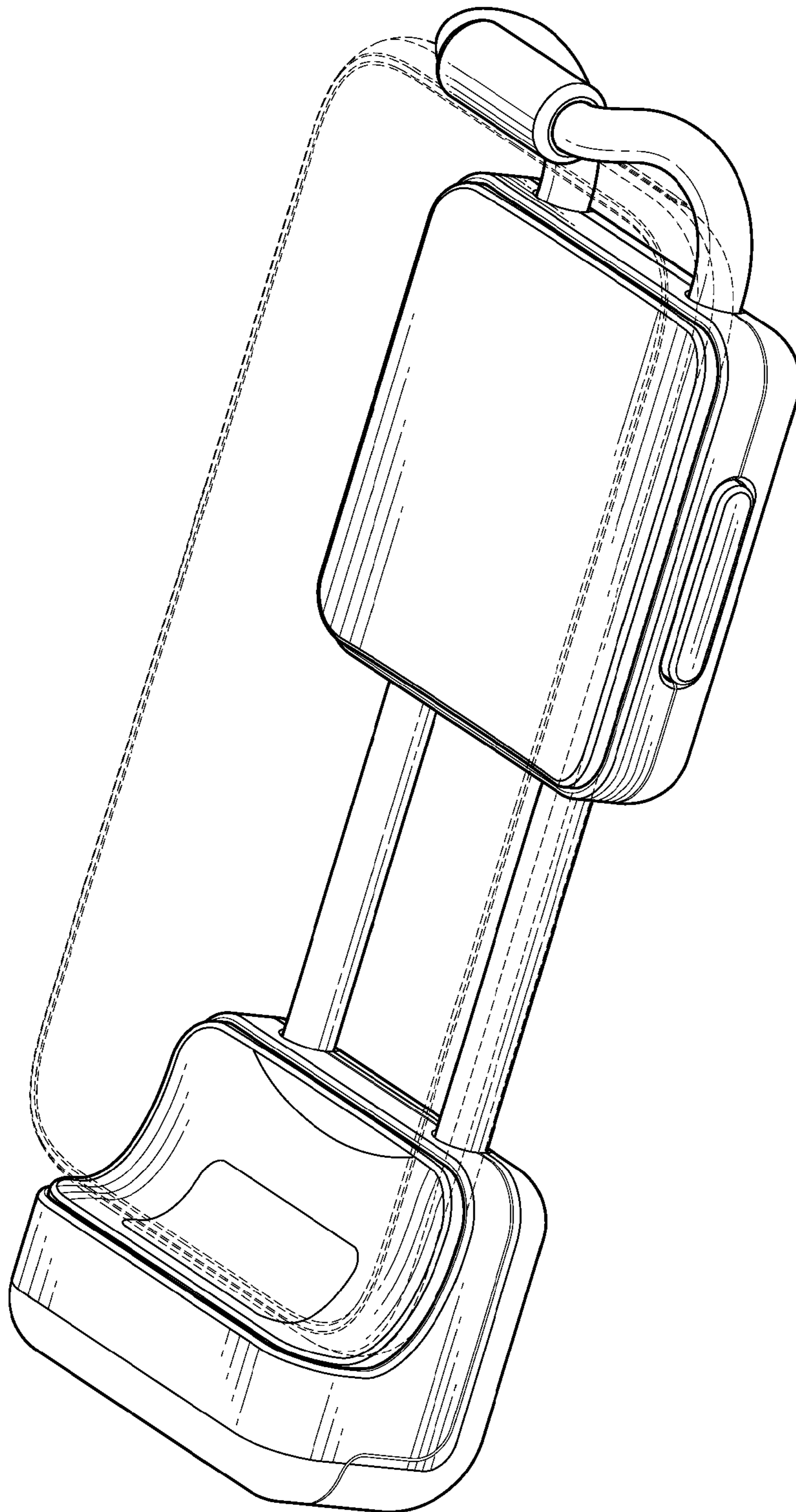


FIG. 9

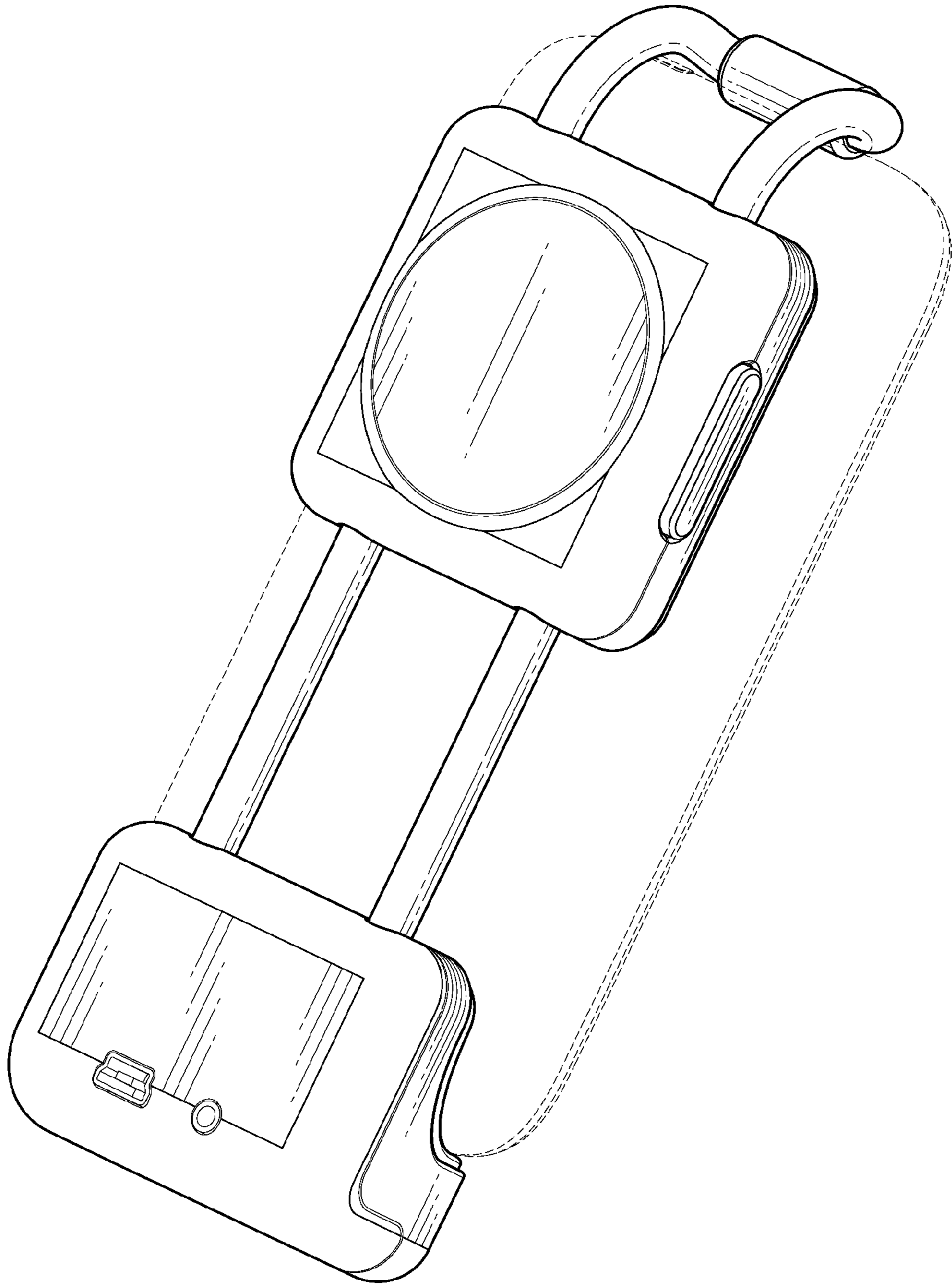


FIG. 10