



US00D624833S

(12) **United States Design Patent**
van Deursen

(10) **Patent No.:** **US D624,833 S**

(45) **Date of Patent:** **** *Oct. 5, 2010**

(54) **BLADE DISPENSER**

(75) **Inventor:** **Gary E. van Deursen**, Essex, CT (US)

(73) **Assignee:** **American Safety Razor**, Verona, VA (US)

(*) **Notice:** This patent is subject to a terminal disclaimer.

(**) **Term:** **14 Years**

(21) **Appl. No.:** **29/290,910**

(22) **Filed:** **Jan. 29, 2008**

(51) **LOC (9) Cl.** **09-03**

(52) **U.S. Cl.** **D9/735**

(58) **Field of Classification Search** D9/414,
D9/417, 420, 424, 426, 430, 432, 730, 735-737,
D9/478; D3/201, 203.1; 206/556, 800; 221/198,
221/279, 281

See application file for complete search history.

(56) **References Cited**

U.S. PATENT DOCUMENTS

2,889,076 A	6/1959	Van Schie	
D187,389 S	3/1960	Becker	
3,115,991 A	12/1963	Carew et al.	
3,542,245 A	11/1970	Braginetz	
3,767,083 A	10/1973	Webb	
D252,558 S *	8/1979	Beck D9/418
D252,853 S	9/1979	Perkins	
4,316,554 A	2/1982	Lloyd	
4,379,514 A	4/1983	Joffe	
4,789,080 A	12/1988	Iten	
4,826,042 A	5/1989	Vujovich	
D390,103 S	2/1998	Gerson	

(Continued)

FOREIGN PATENT DOCUMENTS

DE 41 17 356 A1 12/1992

(Continued)

OTHER PUBLICATIONS

Taiwanese Search Report, w/ English translation thereof, issued in Taiwanese Design Application No. 097304388 dated May 8, 2009.

(Continued)

Primary Examiner—Stella M Reid

Assistant Examiner—Shanda C Hill

(74) *Attorney, Agent, or Firm*—McDermott Will & Emery LLP

(57) **CLAIM**

The ornamental design for a blade dispenser, as shown and described.

DESCRIPTION

FIG. 1 is a front perspective view of the blade dispenser, showing the new design;

FIG. 2 is a front view of the blade dispenser;

FIG. 3 is a rear view of the blade dispenser;

FIG. 4 is a side view of the blade dispenser;

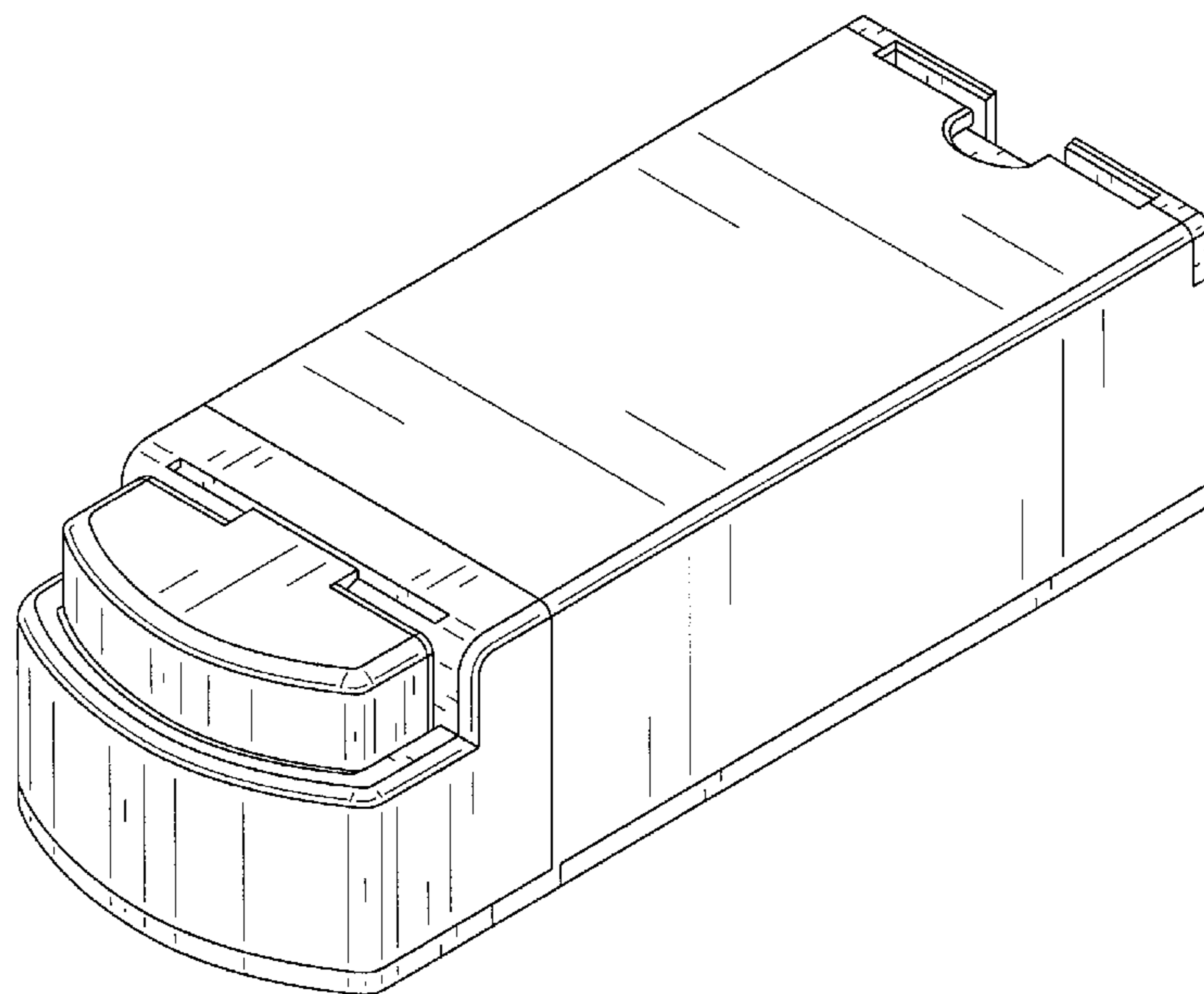
FIG. 5 is another side view of the blade dispenser;

FIG. 6 is a top view of the blade dispenser; and,

FIG. 7 is a bottom view of the blade dispenser.

The broken lines shown in the drawing disclosure are for illustrative purposes only and form no part of the claimed design.

1 Claim, 7 Drawing Sheets



US D624,833 S

Page 2

U.S. PATENT DOCUMENTS

D403,954 S * 1/1999 Okada et al. D9/735
D407,972 S * 4/1999 Hilton D9/422
D433,940 S * 11/2000 Lindsay et al. D9/424
6,158,616 A 12/2000 Huang
6,382,460 B1 5/2002 Gonzalez
D474,402 S * 5/2003 Baerenwald D9/420
6,598,761 B1 7/2003 Chou
6,796,455 B2 9/2004 Schmidt
D522,855 S * 6/2006 Liebe et al. D9/426
D527,995 S * 9/2006 Tanner D9/424
D546,671 S * 7/2007 Cronin et al. D9/420
D561,047 S * 2/2008 Shields D9/730
2002/0162849 A1 11/2002 Chen
2004/0099682 A1 5/2004 Huang
2004/0178214 A1 9/2004 Wei

2007/0034640 A1 2/2007 Casale

FOREIGN PATENT DOCUMENTS

FR 2 723 725 2/1996
IN 135653 6/1990
JP D1112607 6/2001
JP D1142823 6/2002
TW 462608 11/2001

OTHER PUBLICATIONS

<http://packandseal.com/CuttersRazor.html>, retrieved Feb. 11, 2008.
<http://www.toot-up.co.uk/shop/diy/STA028510.html>, retrieved Feb. 11, 2008.
http://www.artistcraft.com/Tools/Cups_Cutting_Caulking_Equip/193, retrieved Feb. 11, 2008.

* cited by examiner

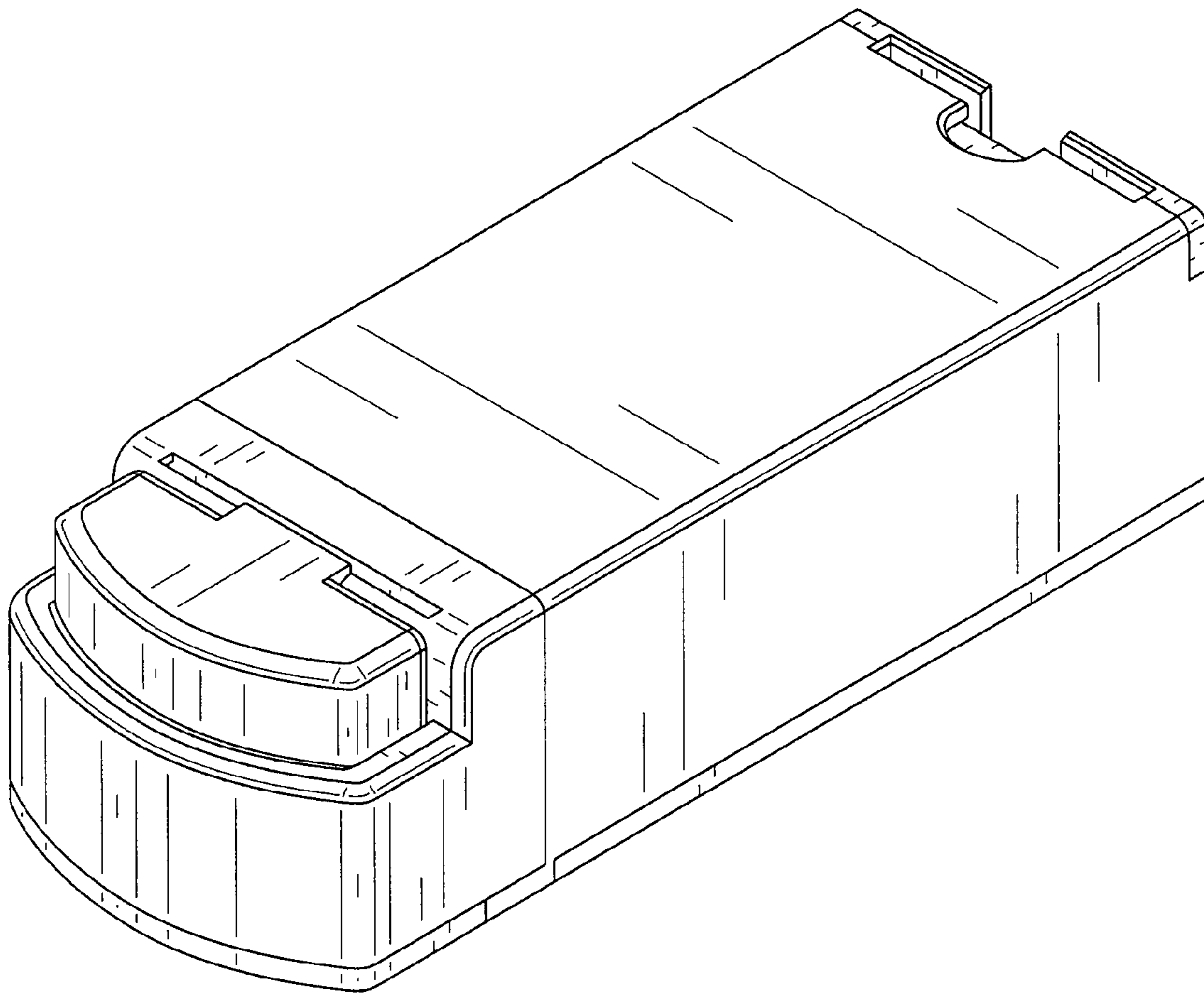


FIG. 1

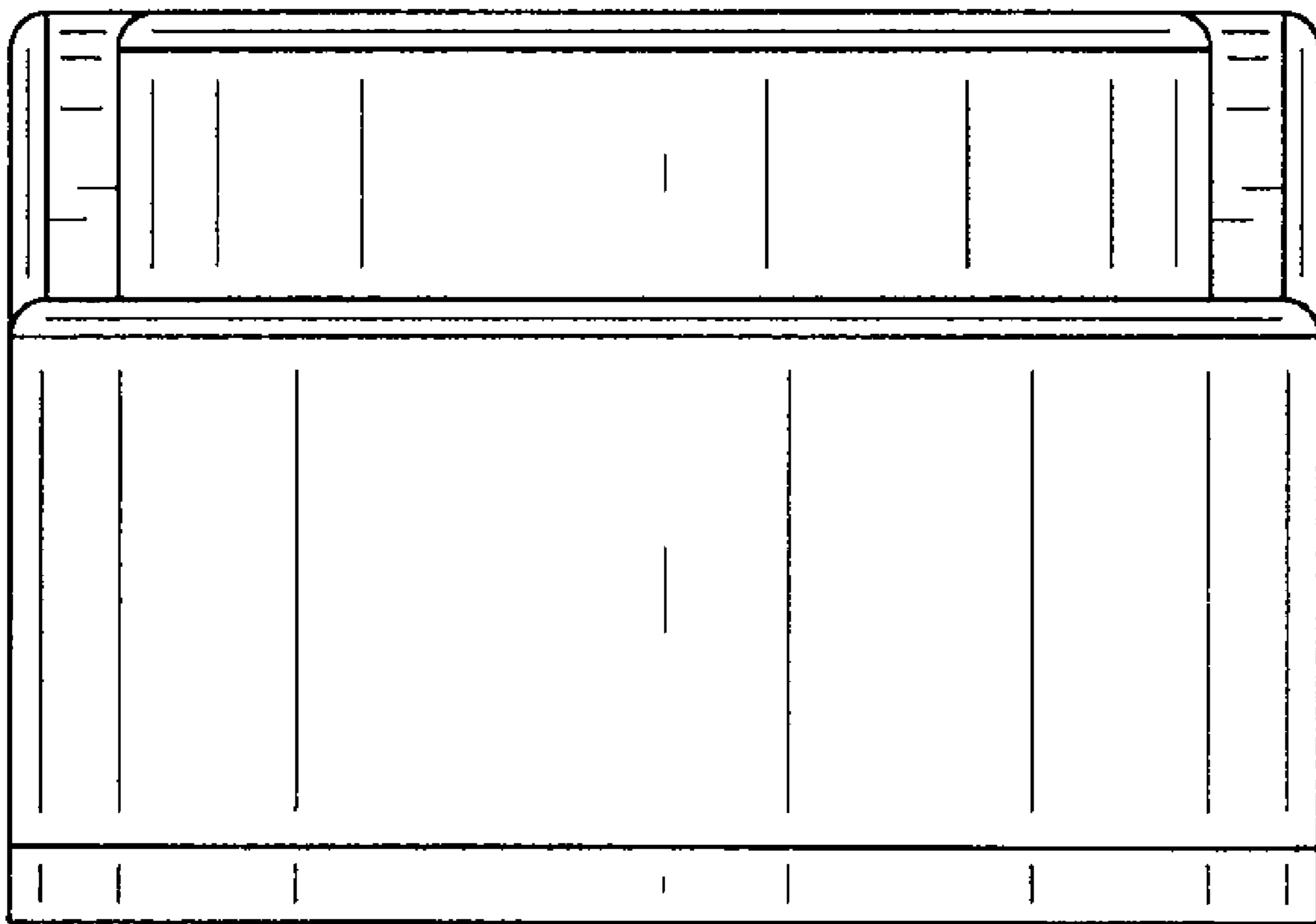


FIG. 2

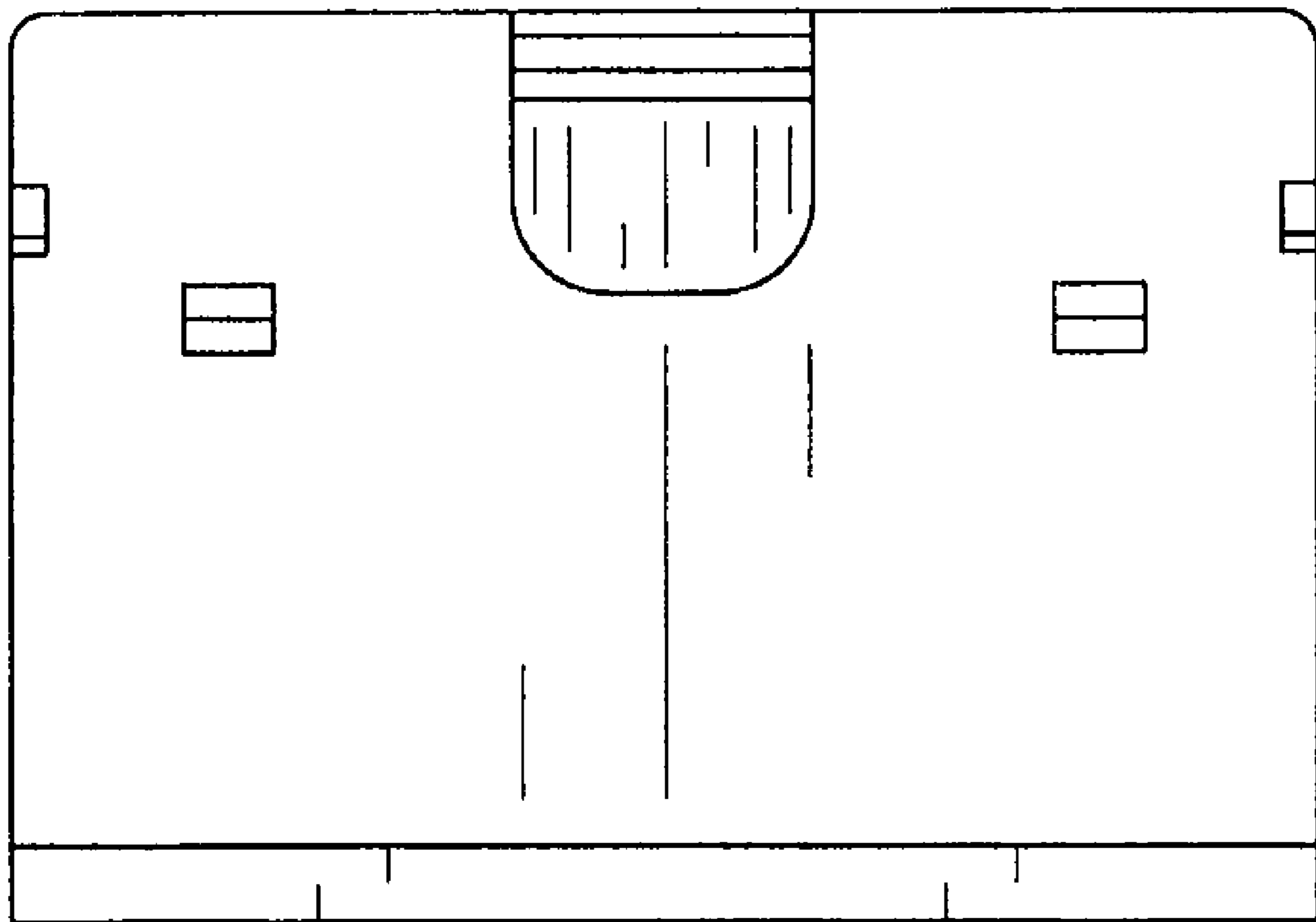


FIG. 3

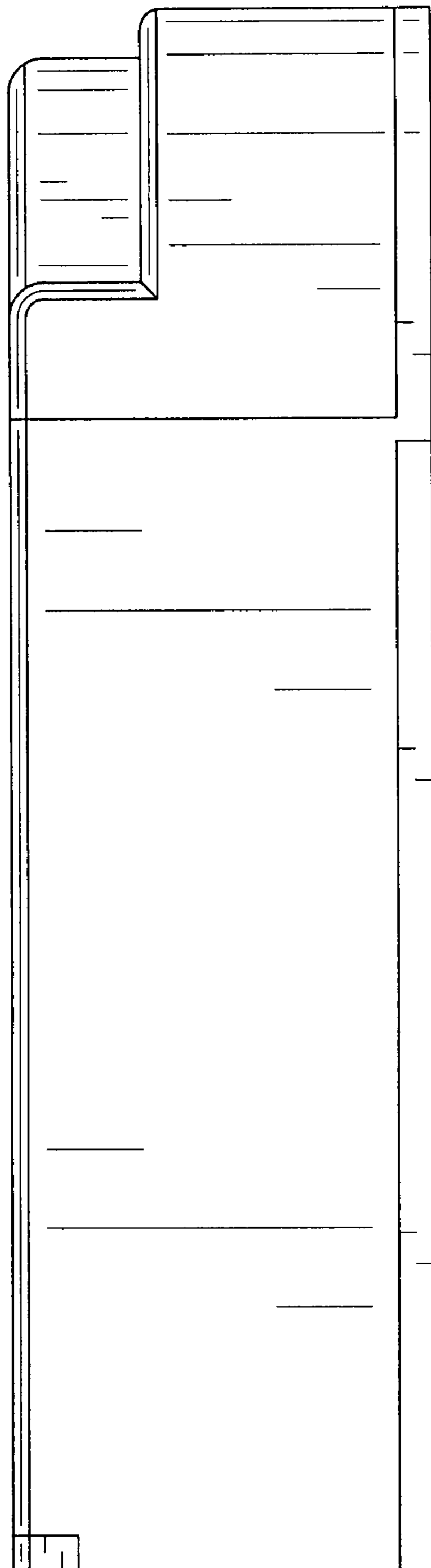


FIG. 4

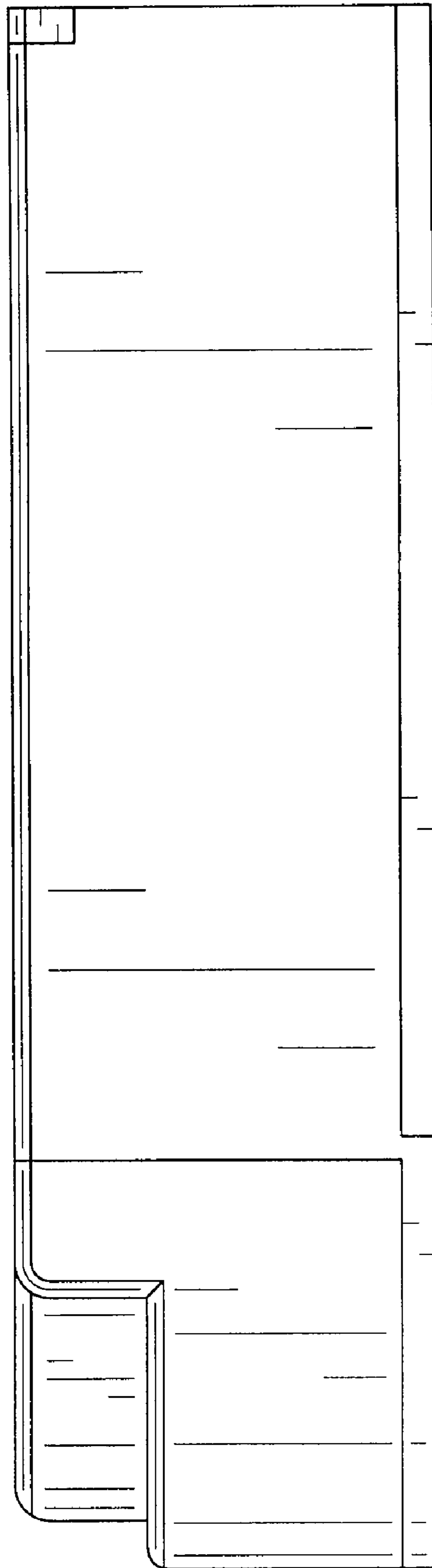


FIG. 5

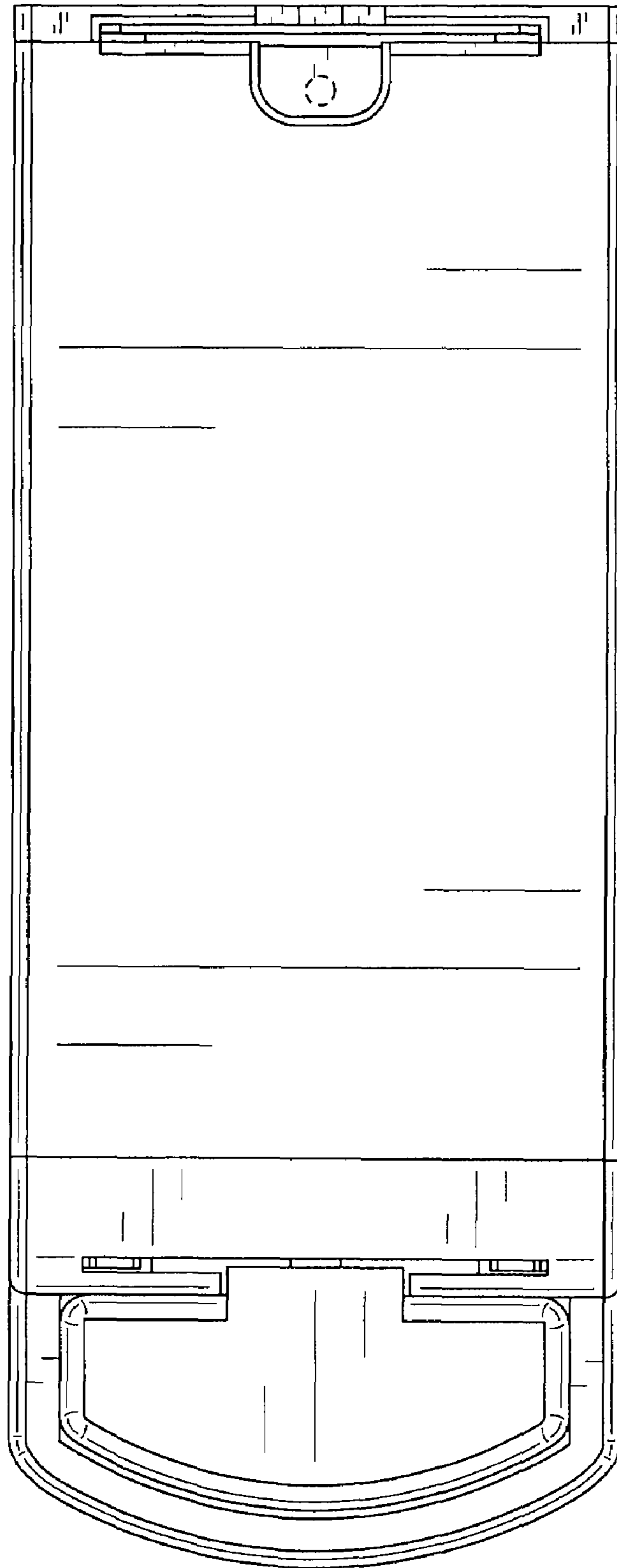


FIG. 6

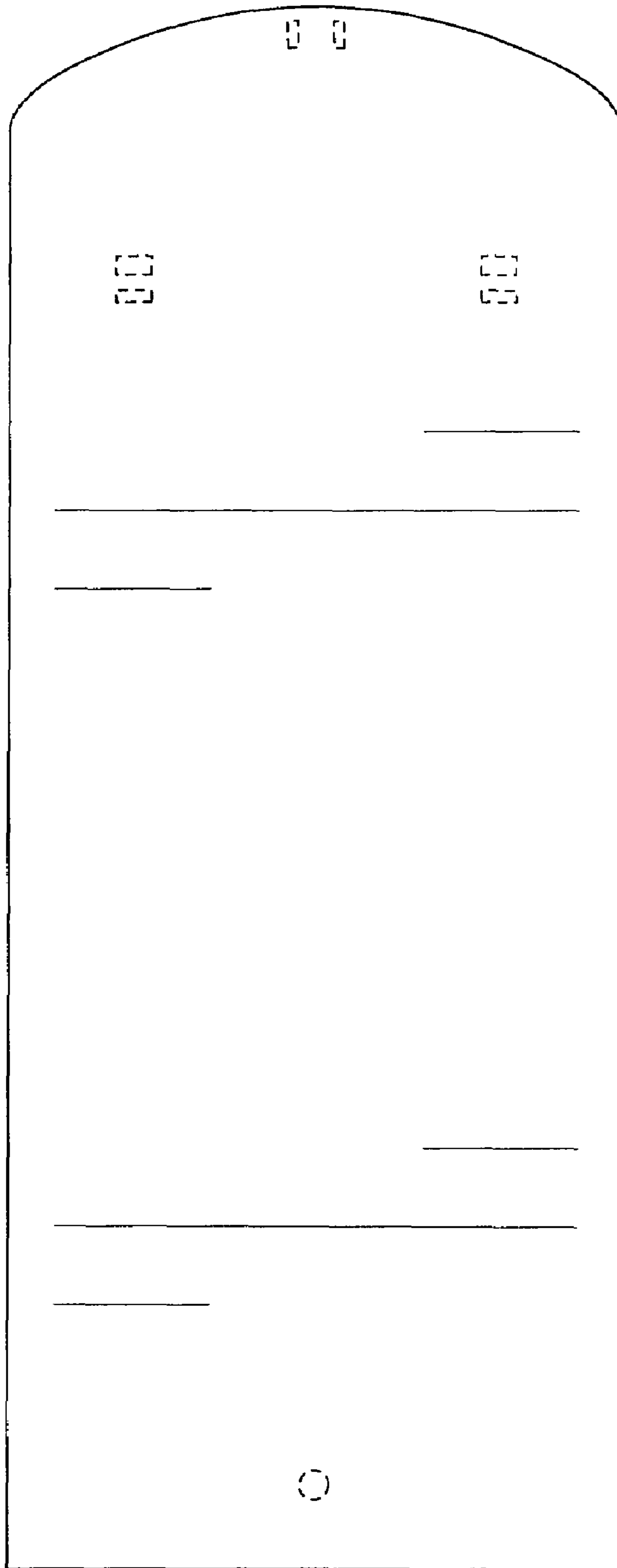


FIG. 7