



US00D624832S

(12) **United States Design Patent**
Wendelberger

(10) **Patent No.:** **US D624,832 S**

(45) **Date of Patent:** **** Oct. 5, 2010**

(54) **BATTERY DISPENSER**

(76) Inventor: **Robert C. Wendelberger**, 1300 N. 4th St., Milwaukee, WI (US) 53212

(**) Term: **14 Years**

(21) Appl. No.: **29/339,889**

(22) Filed: **Jul. 9, 2009**

(51) **LOC (9) Cl.** **09-01**

(52) **U.S. Cl.** **D9/733**

(58) **Field of Classification Search** D9/415,
D9/416, 730, 733, 734, 735, 736, 737; D3/313;
211/59.2, 88.1; 220/533; 221/92, 123, 130,
221/131, 189; 312/42, 45

See application file for complete search history.

(56) **References Cited**

U.S. PATENT DOCUMENTS

D156,909 S *	1/1950	Nelson	D9/735
D179,225 S *	11/1956	Smith	D9/735
D187,562 S *	3/1960	Zierhut	D9/735
D235,247 S *	6/1975	Braginetz	D9/735
D238,252 S *	12/1975	Meshulam	D9/735
4,577,773 A	3/1986	Bitel		
D321,134 S *	10/1991	Toinet	D9/415
D321,647 S *	11/1991	Oldorf	D9/734
D333,781 S *	3/1993	Kobel	D9/734
5,308,717 A	5/1994	Gordin		
5,324,598 A	6/1994	White et al.		
5,361,937 A	11/1994	Wiese		
D353,735 S	12/1994	English		
D382,405 S	8/1997	Ohayon		
5,670,268 A	9/1997	Mancusi		

5,700,075 A	12/1997	Perone		
5,855,422 A	1/1999	Naef		
5,862,943 A	1/1999	Larit		
D477,531 S *	7/2003	Wilczewski	D9/733
D528,434 S *	9/2006	Wolpow	D9/733
D533,464 S *	12/2006	Wolpow	D9/733
D537,734 S *	3/2007	Wolpow	D9/733
2004/0007546 A1	1/2004	Stinnett et al.		
2004/0053120 A1	3/2004	Lee et al.		

* cited by examiner

Primary Examiner—Shanda C Hill

(74) *Attorney, Agent, or Firm*—Crossley Patent Law; Mark A. Crossley

(57) **CLAIM**

The ornamental design for a battery dispenser, as shown and described.

DESCRIPTION

FIG. 1 is an isometric view of a battery dispenser showing my new design;

FIG. 2 is a left side elevation view thereof;

FIG. 3 is a top plan view thereof;

FIG. 4 is a right side elevation view thereof;

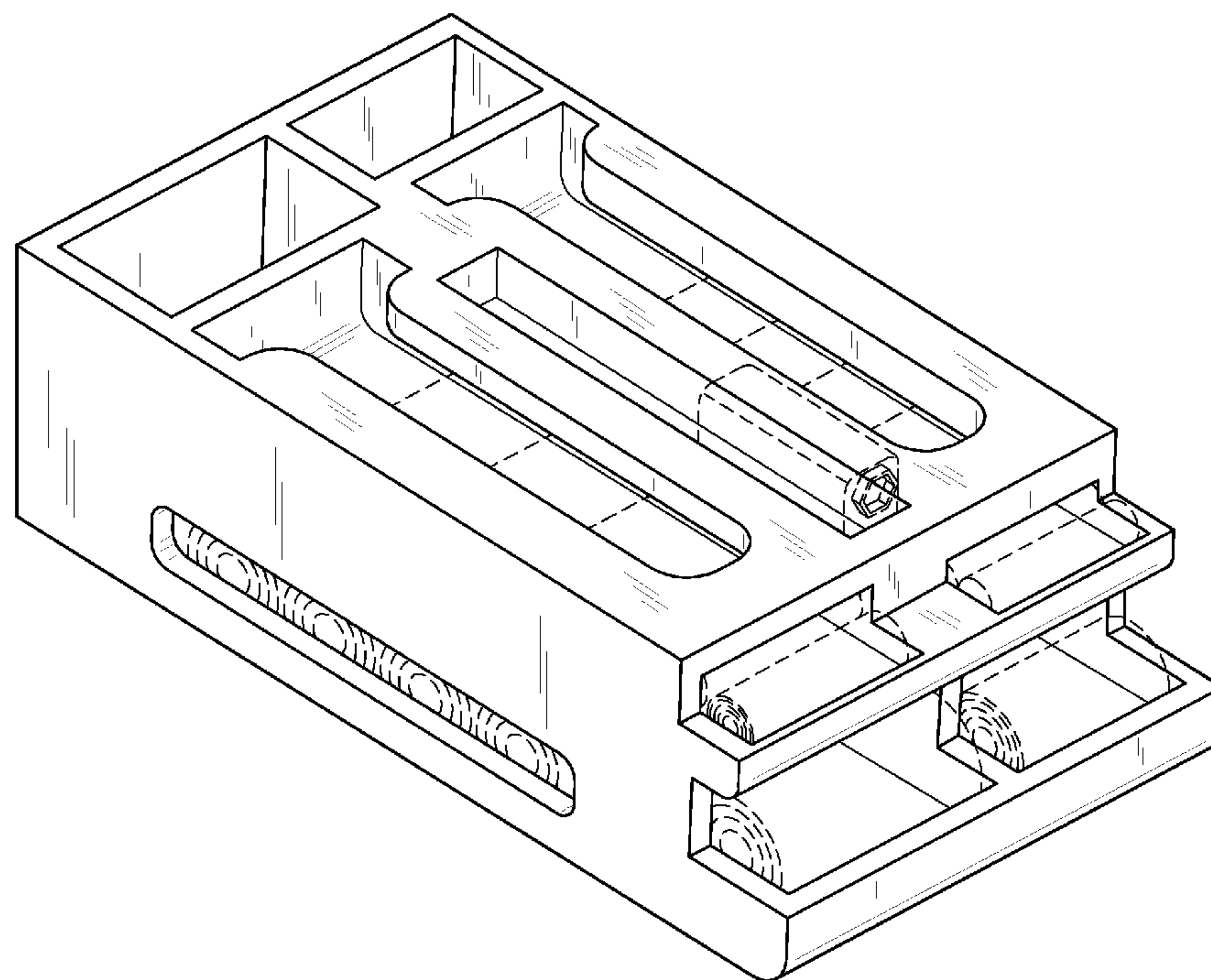
FIG. 5 is a back plan view thereof;

FIG. 6 is a front plan view thereof; and,

FIG. 7 is a bottom isometric view thereof.

The broken lines in the drawings depict environmental subject matter only and form no part of the claimed design.

1 Claim, 4 Drawing Sheets



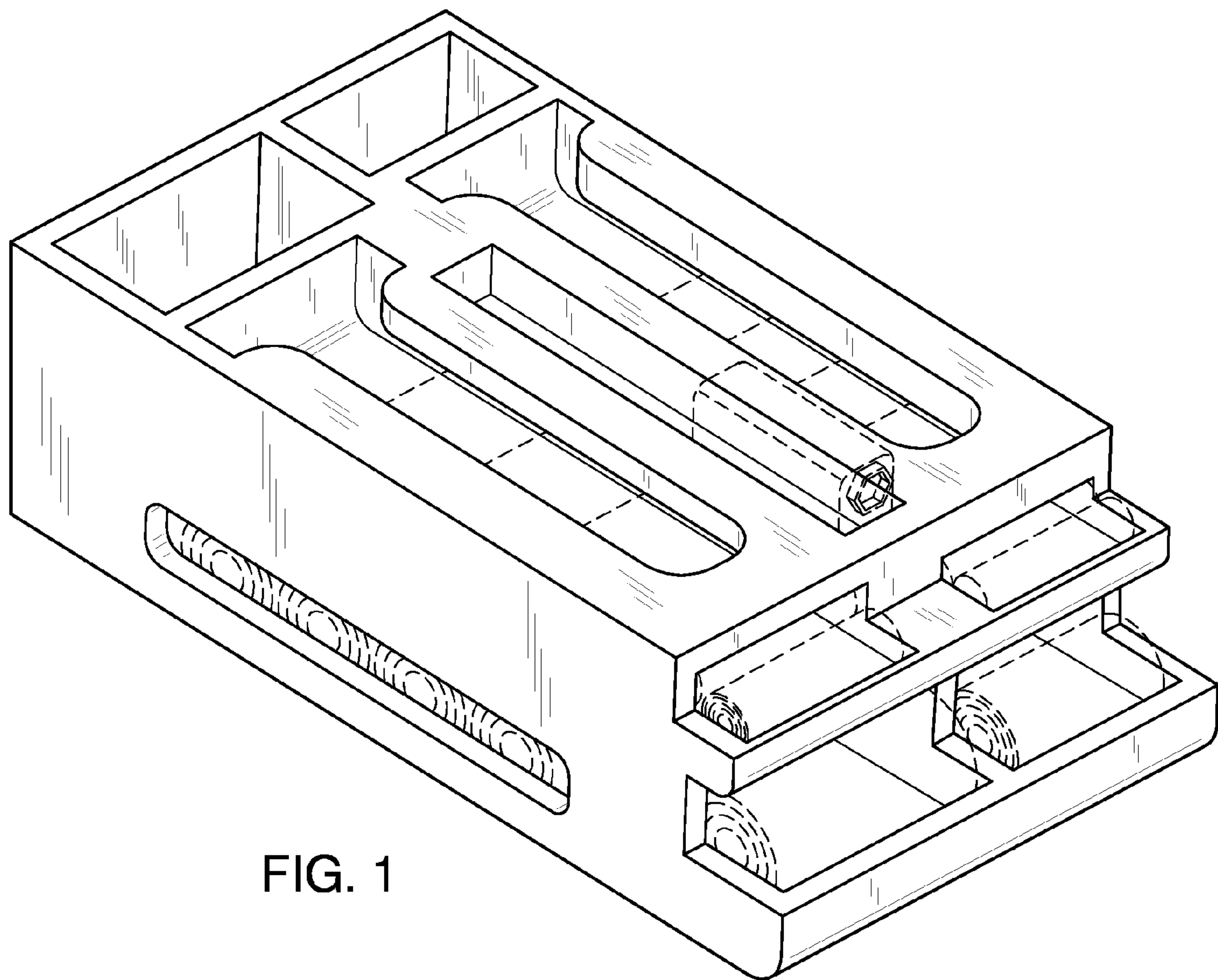


FIG. 1



FIG. 2

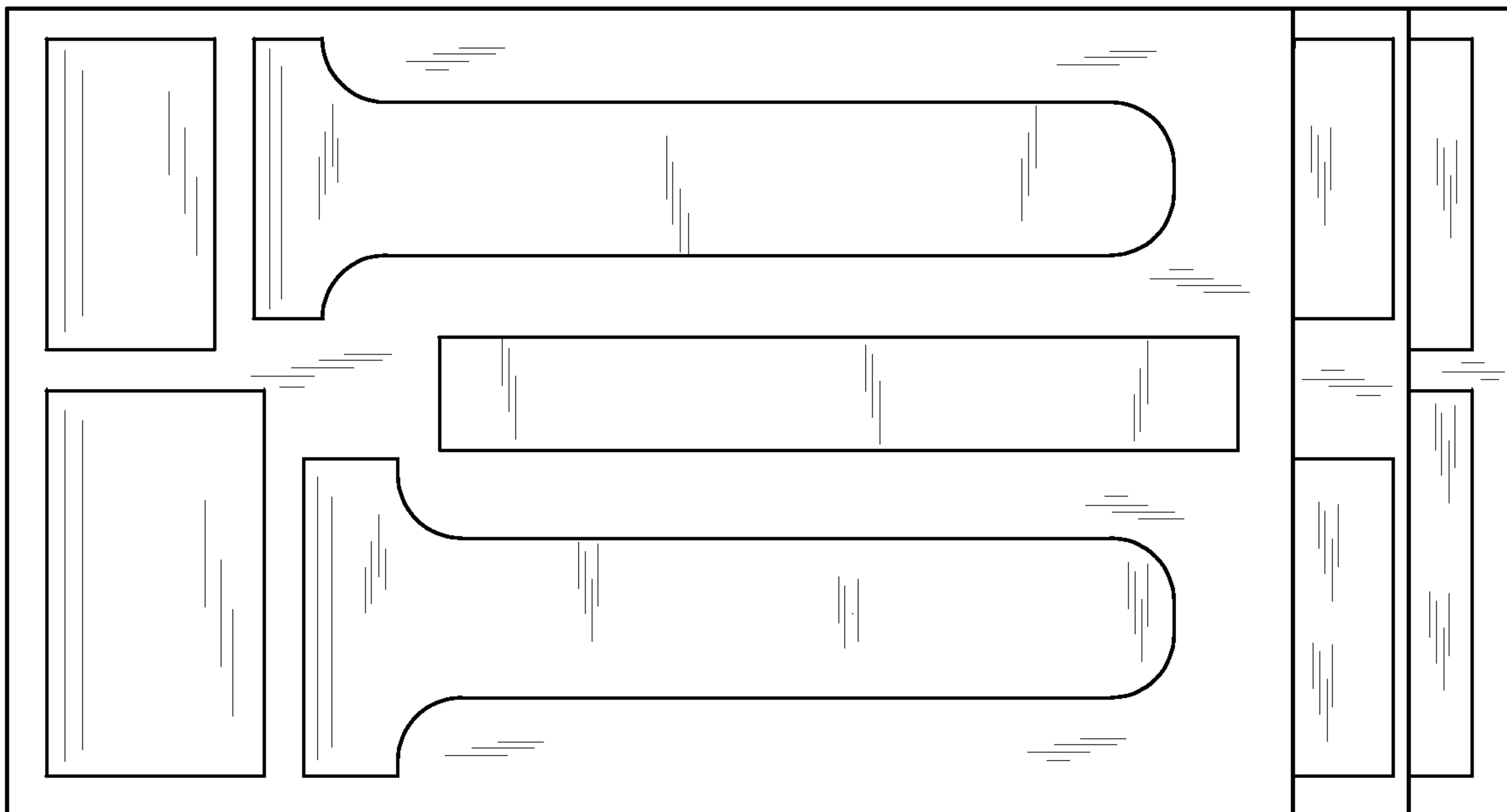


FIG. 3

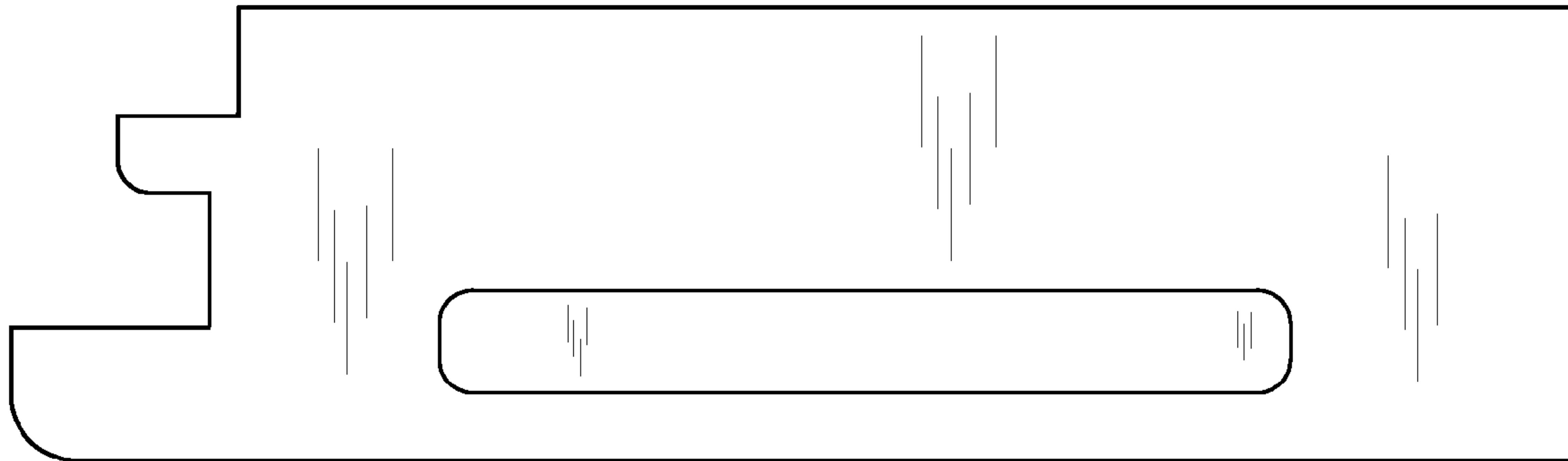


FIG. 4

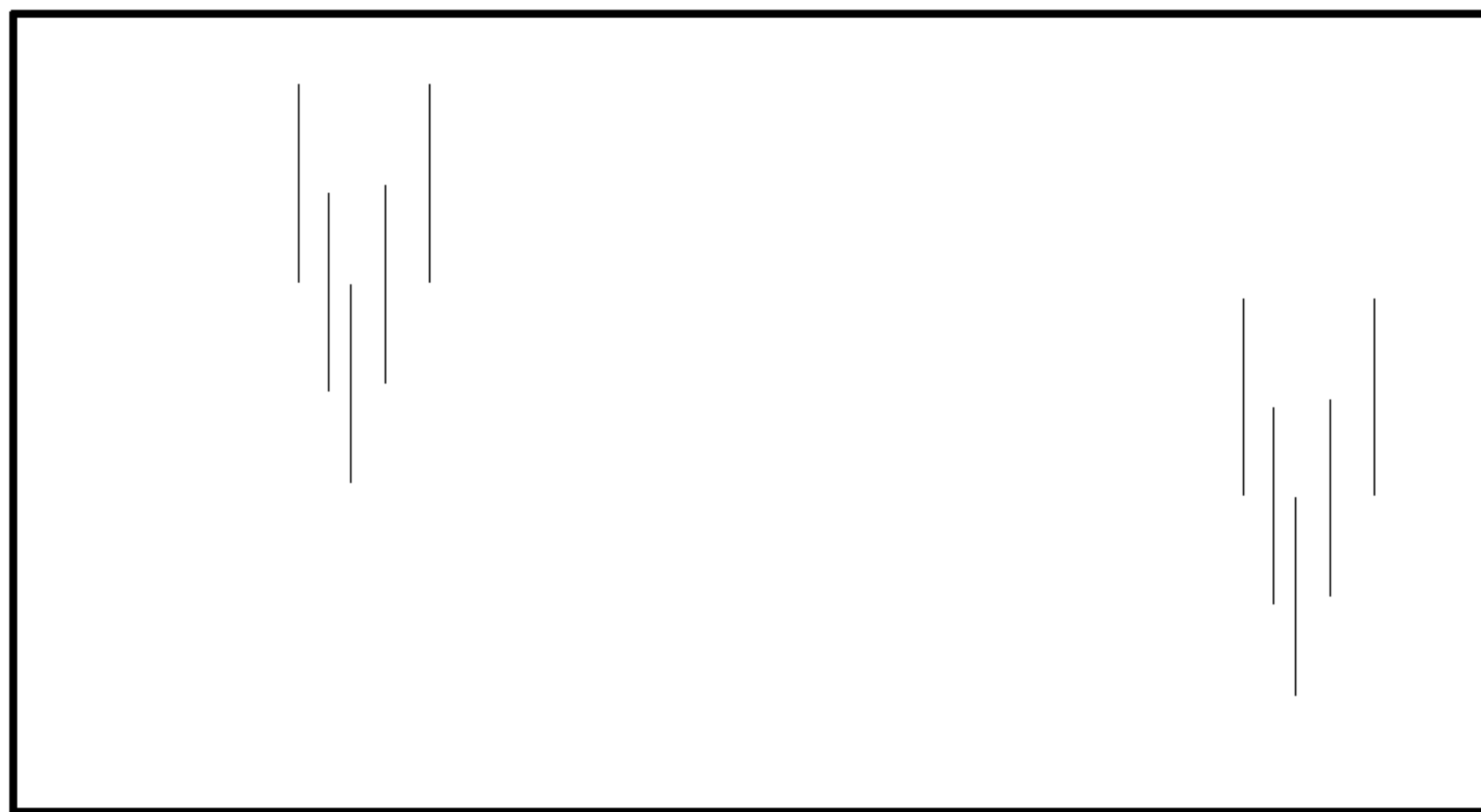


FIG. 5

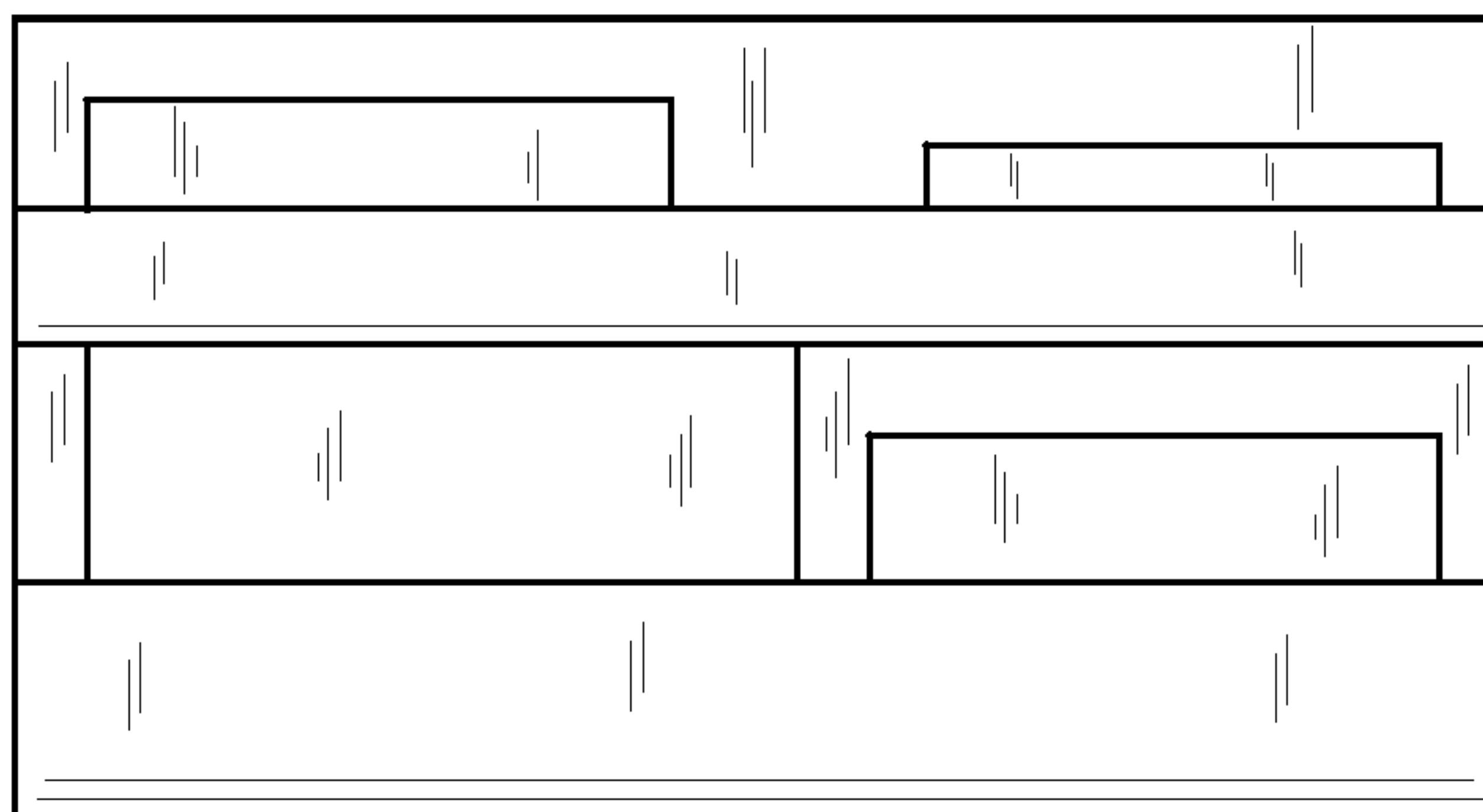


FIG. 6

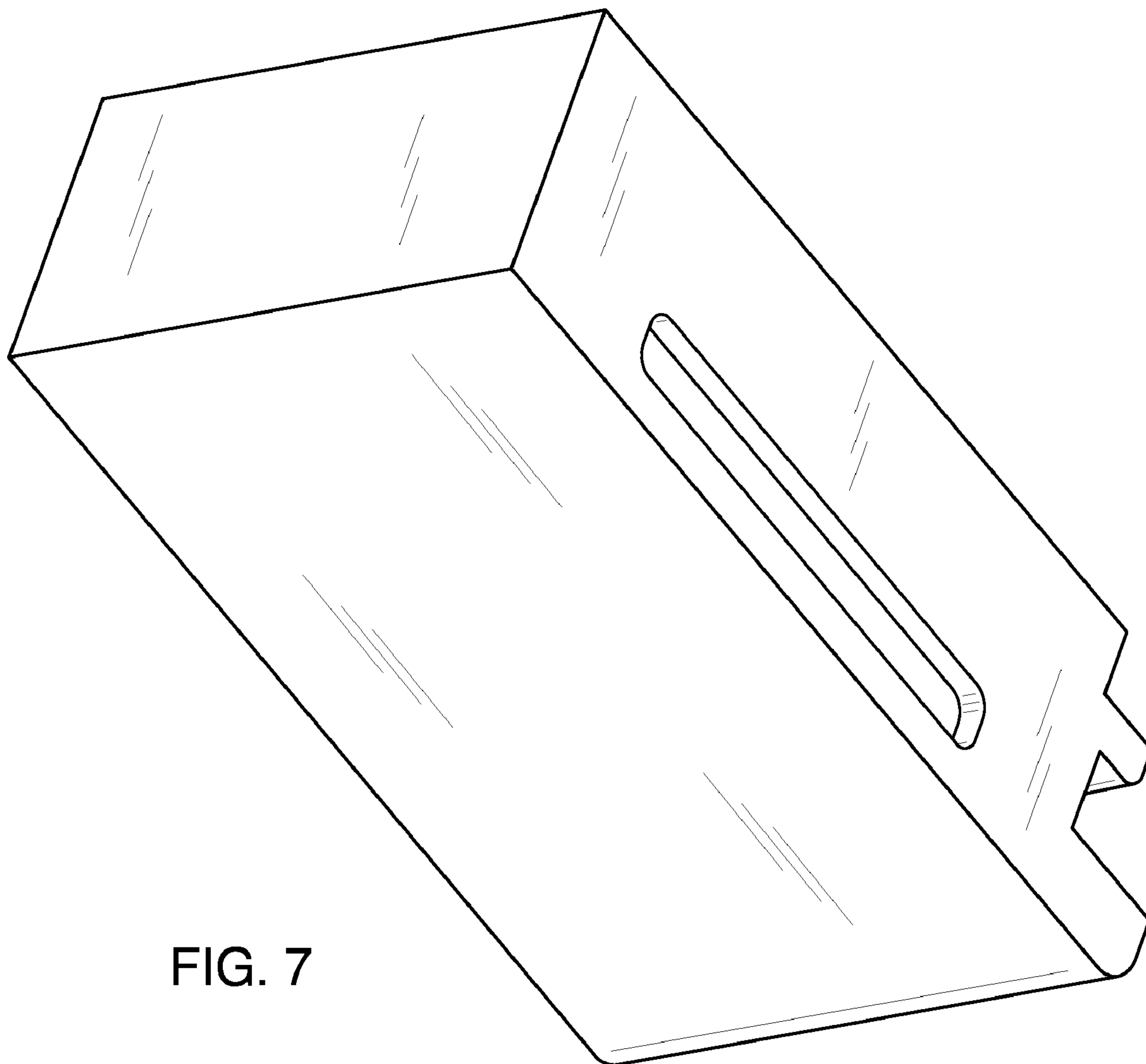


FIG. 7