



US00D624829S

(12) **United States Design Patent**
Ramsey et al.

(10) **Patent No.:** **US D624,829 S**
(45) **Date of Patent:** **** *Oct. 5, 2010**

(54) **CONTAINER FOR LIQUIDS**

(75) Inventors: **Louise Ramsey**, Skelmersdale (GB);
Peter Ramsey, Skelmersdale (GB)

(73) Assignee: **Pin Essentials Ltd.**, Liverpool (GB)

(*) Notice: This patent is subject to a terminal disclaimer.

(**) Term: **14 Years**

(21) Appl. No.: **29/306,887**

(22) Filed: **Apr. 17, 2008**

(51) **LOC (9) Cl.** **09-01**

(52) **U.S. Cl.** **D9/687**

(58) **Field of Classification Search** D9/682-694,
D9/516-575, 420, 422, 423, 434-436, 447-450;
215/379, 382; 220/376, 660, 669, 676;
222/153.09-153.14, 182, 209, 211-213,
222/215, 321.7-321.9, 372, 373, 378, 379,
222/383.1, 384-386, 398, 400.7, 400.8, 401,
222/402.1-402.25

See application file for complete search history.

(56) **References Cited**

U.S. PATENT DOCUMENTS

84,655 A * 12/1868 Thompson 206/37
2,276,047 A * 3/1942 Kurth 401/88
2,625,292 A * 1/1953 Spender 220/835
D285,052 S * 8/1986 Bianchi et al. D9/521

D309,433 S * 7/1990 Minuti D9/424
D422,899 S * 4/2000 Kudo D9/687
D428,340 S * 7/2000 Herrmann D9/739
D443,979 S * 6/2001 Rijlaarsdam D3/202
D479,689 S * 9/2003 Altonen et al. D9/516
D505,865 S * 6/2005 Seizer et al. D9/688

FOREIGN PATENT DOCUMENTS

GB DES. 1018751 * 9/1983
JP A-2002-034643 A1 2/2002
WO DM/066298 * 1/2005

* cited by examiner

Primary Examiner—Catherine Tuttle

(74) *Attorney, Agent, or Firm*—Taylor Russell & Russell, PC

(57) **CLAIM**

The ornamental design for a container for liquids, as shown and described.

DESCRIPTION

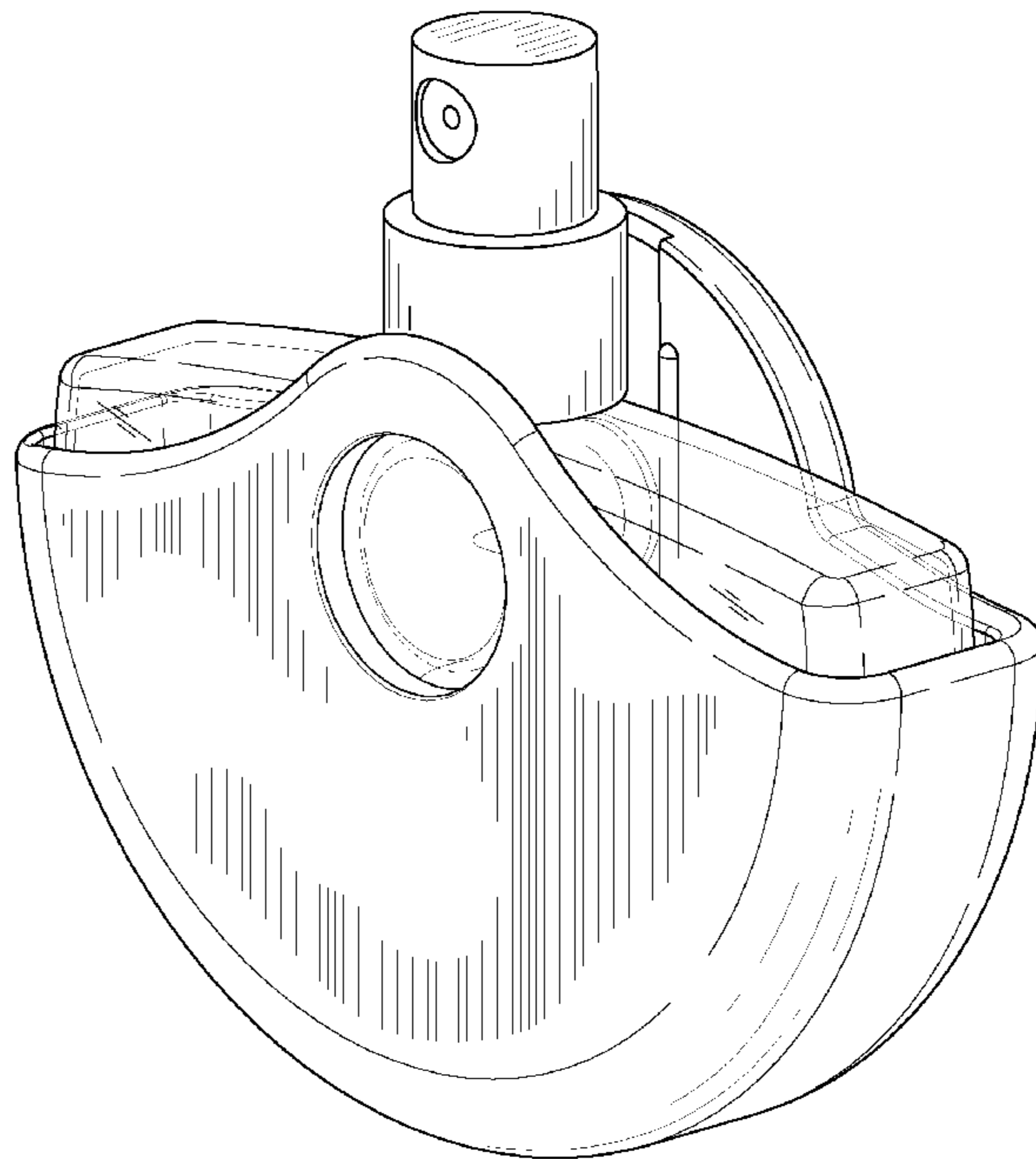
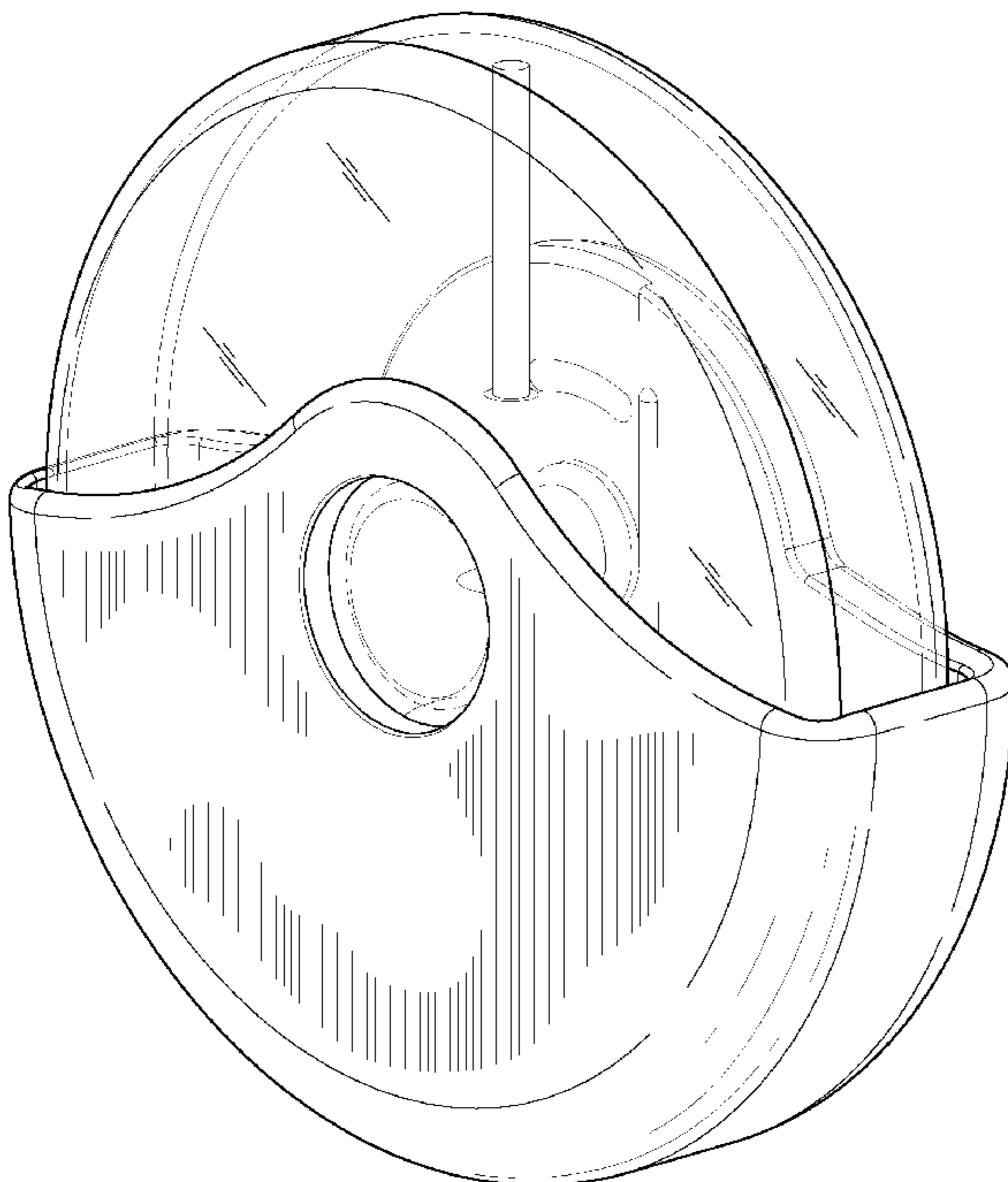
FIG. 1 is a front perspective view showing our new design for a container for liquids in a closed configuration;

FIG. 2 is a front perspective view showing the design in an open configuration; and,

FIG. 3 is a front elevation view of the closed configuration shown in FIG. 1.

The circular broken line is included for the purpose of defining a portion of the central window that forms no part of the claimed design.

1 Claim, 3 Drawing Sheets



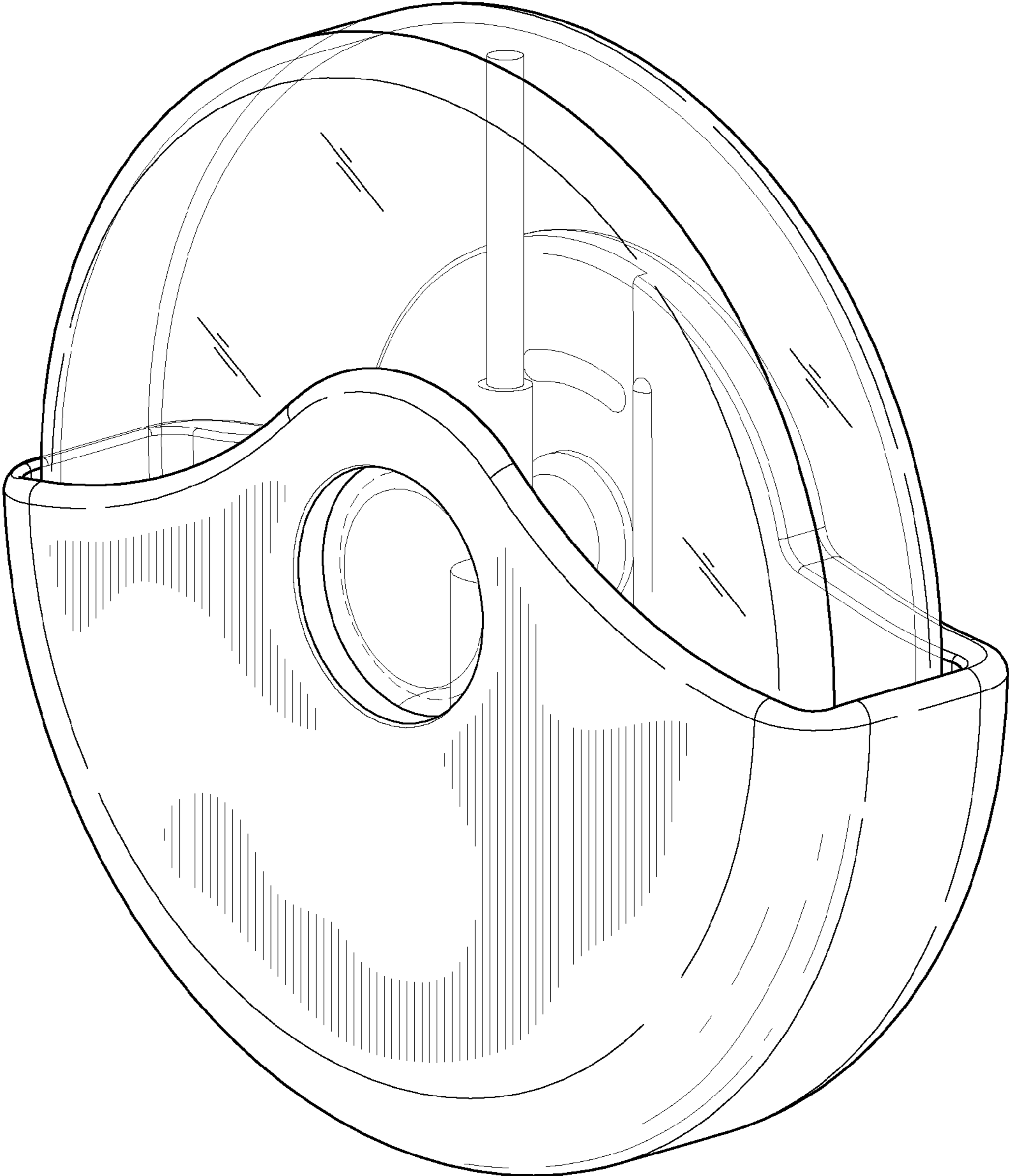


FIG-1

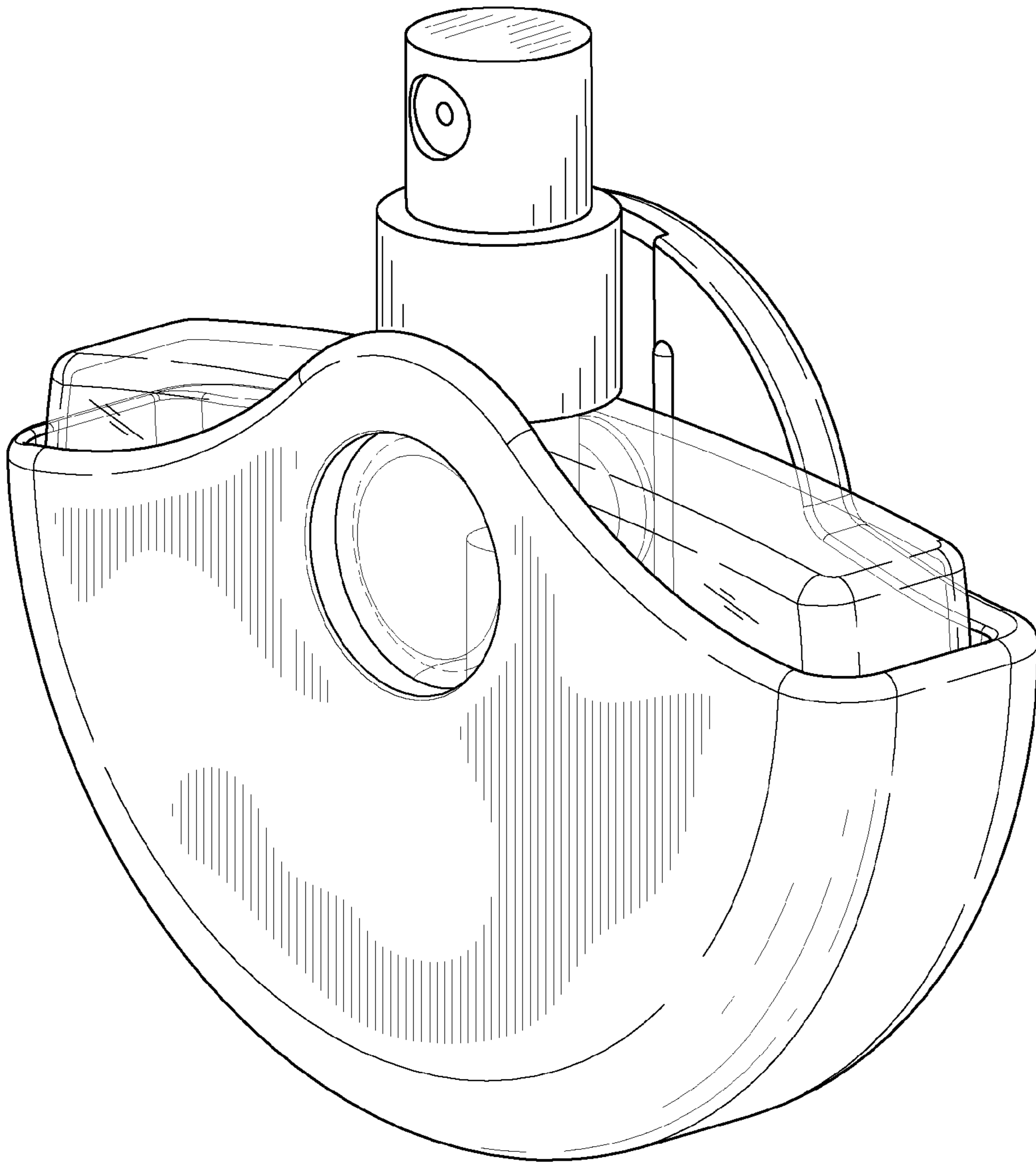


FIG-2

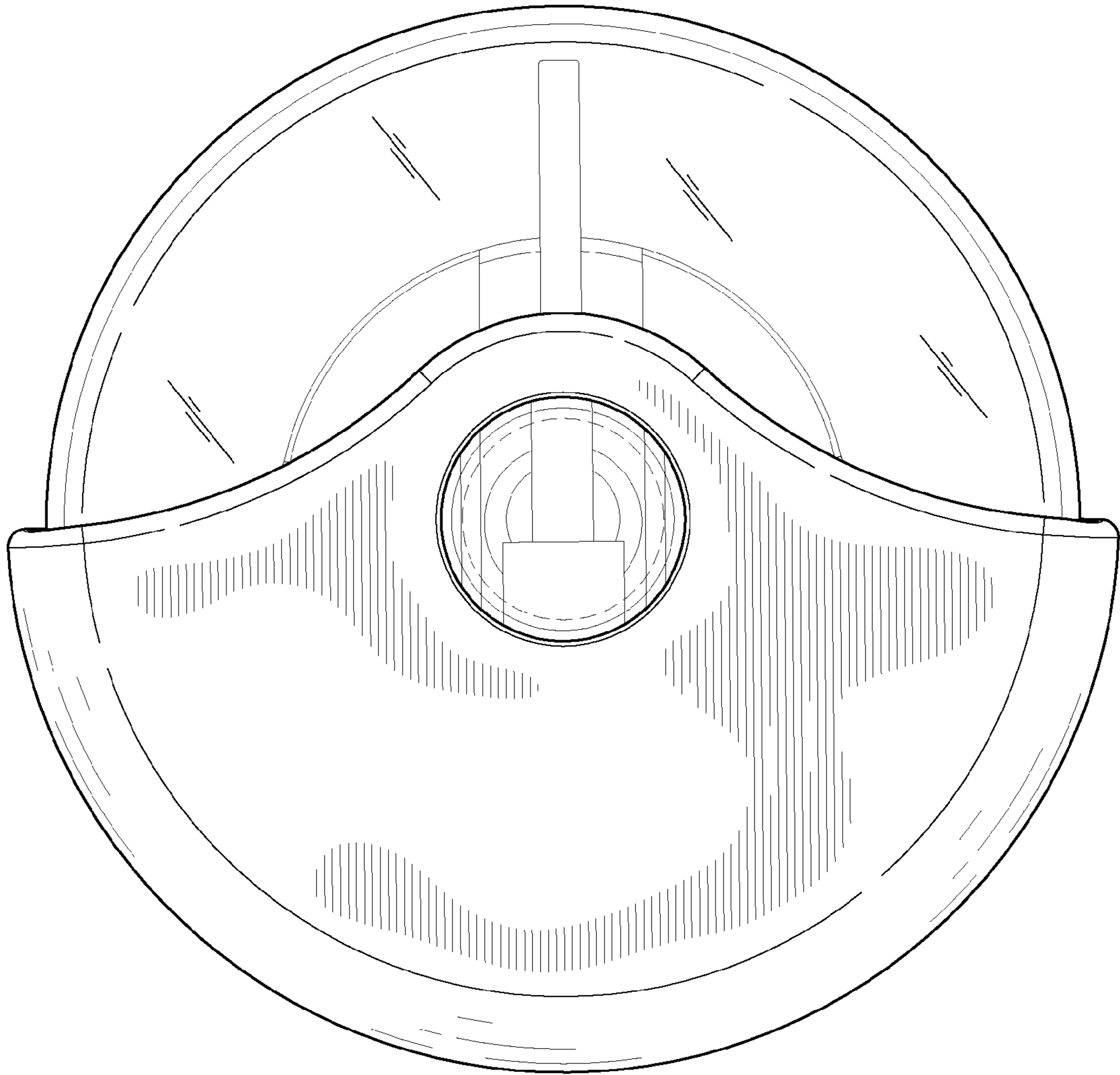


FIG-3