



US00D624828S

(12) **United States Design Patent**
Brogan et al.

(10) **Patent No.:** **US D624,828 S**

(45) **Date of Patent:** **** Oct. 5, 2010**

(54) **FIRE TRUCK-SHAPED JUICE CONTAINER**

D600,136 S * 9/2009 Arora et al. D9/676
D604,634 S * 11/2009 Arora et al. D9/676

(76) Inventors: **Lawrence Brogan**, 17 Pemberton St.,
Cambridge, MA (US) 02140; **Hugh
Devlin**, 17 Pemberton St., Cambridge,
MA (US) 02140

* cited by examiner

Primary Examiner—Sandra Morris
(74) *Attorney, Agent, or Firm*—Lambert and Associates;
Gary E. Lambert

(**) Term: **14 Years**

(21) Appl. No.: **29/348,094**

(22) Filed: **Nov. 27, 2009**

(57) **CLAIM**

The ornamental design for a fire truck-shaped juice container,
as shown and described.

(51) **LOC (9) Cl.** **09-01**

(52) **U.S. Cl.** **D9/676; D21/555**

(58) **Field of Classification Search** D9/600,
D9/672–677, 414, 430–433; 206/457, 527,
206/776, 830; 220/890; D21/555
See application file for complete search history.

DESCRIPTION

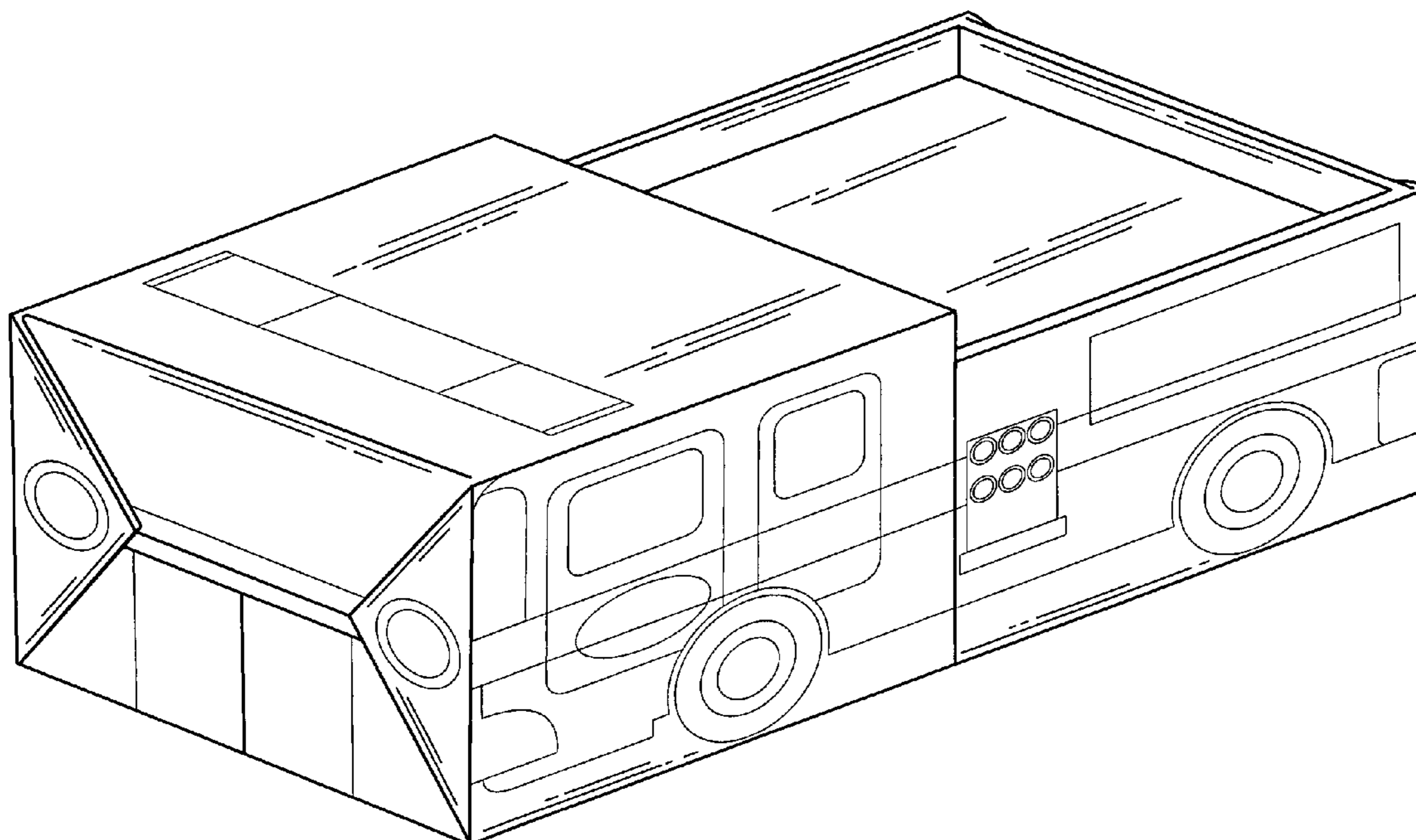
FIG. 1 is an isometric view of the fire truck-shaped juice
container, which embodies my new design;
FIG. 2 is a left side elevational view thereof;
FIG. 3 is a right side elevational view thereof;
FIG. 4 is a top plan view thereof;
FIG. 5 is a bottom plan view thereof;
FIG. 6 is a front view thereof; and,
FIG. 7 is a rear view thereof.

(56) **References Cited**

U.S. PATENT DOCUMENTS

D95,726 S * 5/1935 Andrews D9/676
D371,959 S * 7/1996 Hupp D9/676
D386,207 S * 11/1997 Wichser D9/619
D474,684 S * 5/2003 Stevens D9/676

1 Claim, 4 Drawing Sheets



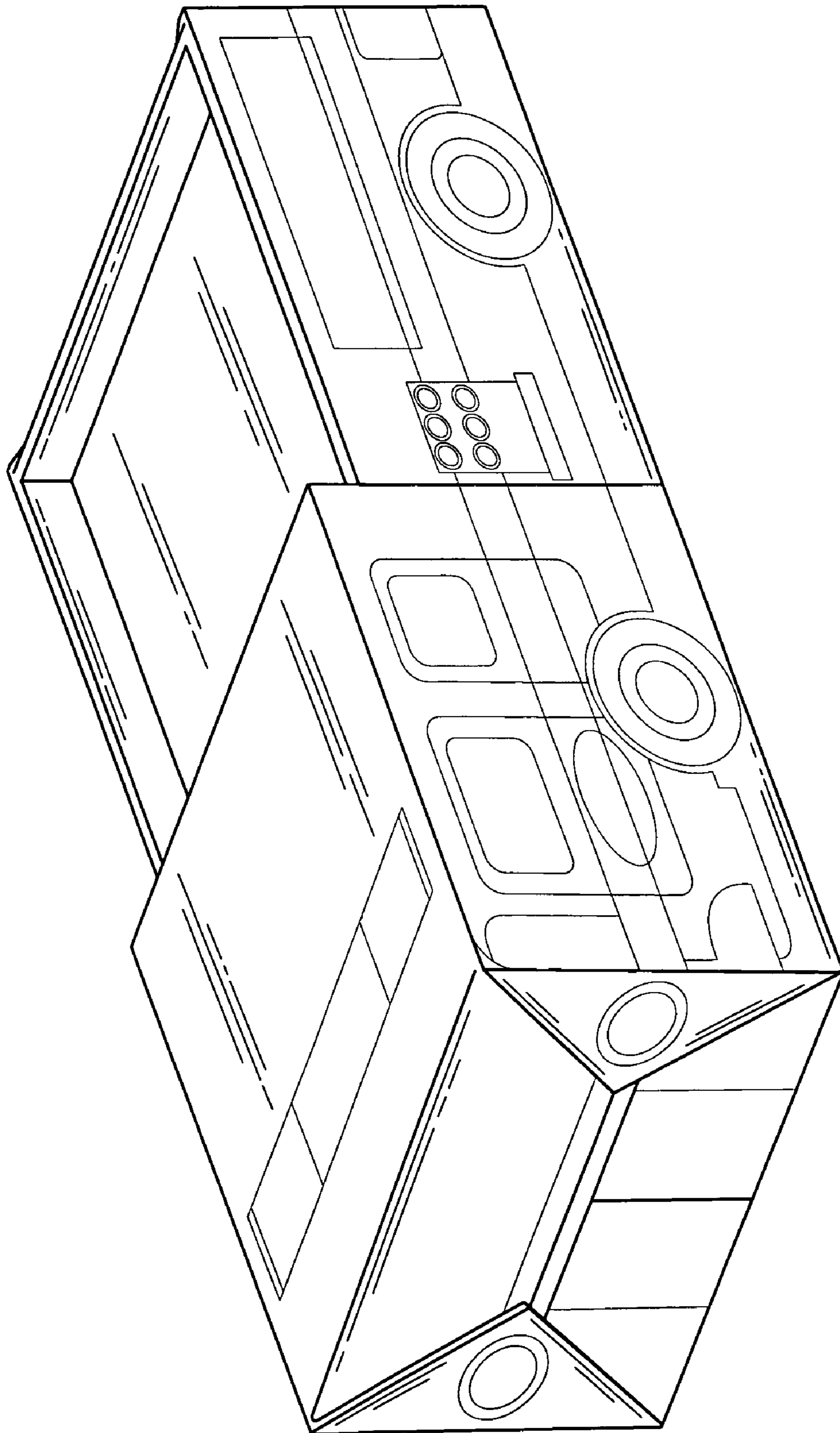


FIG. 1

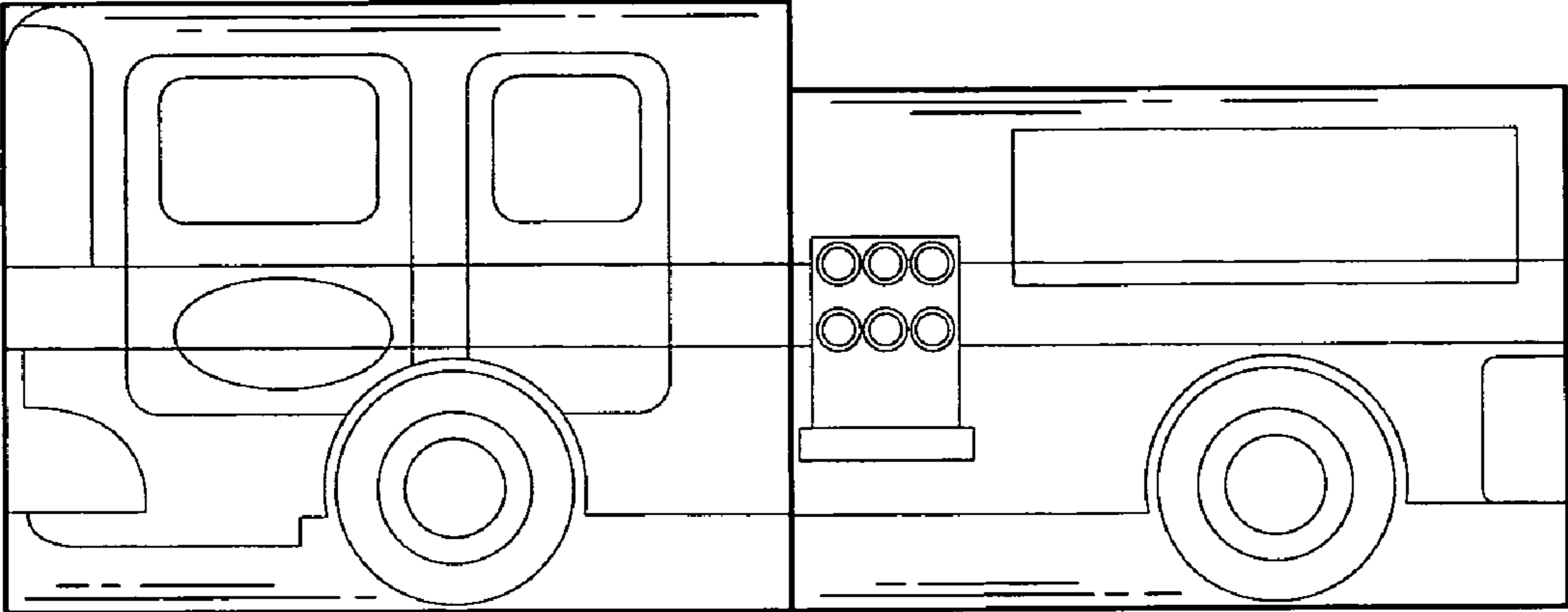


FIG. 2

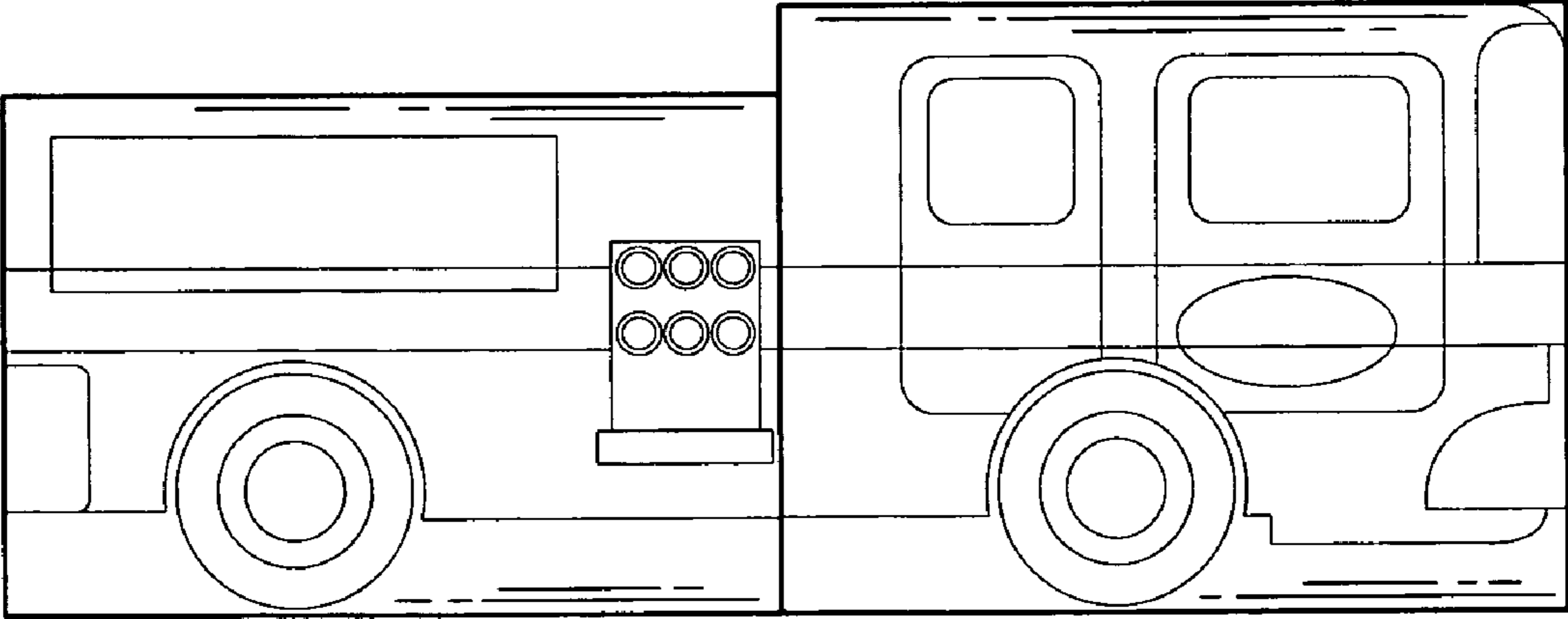


FIG. 3

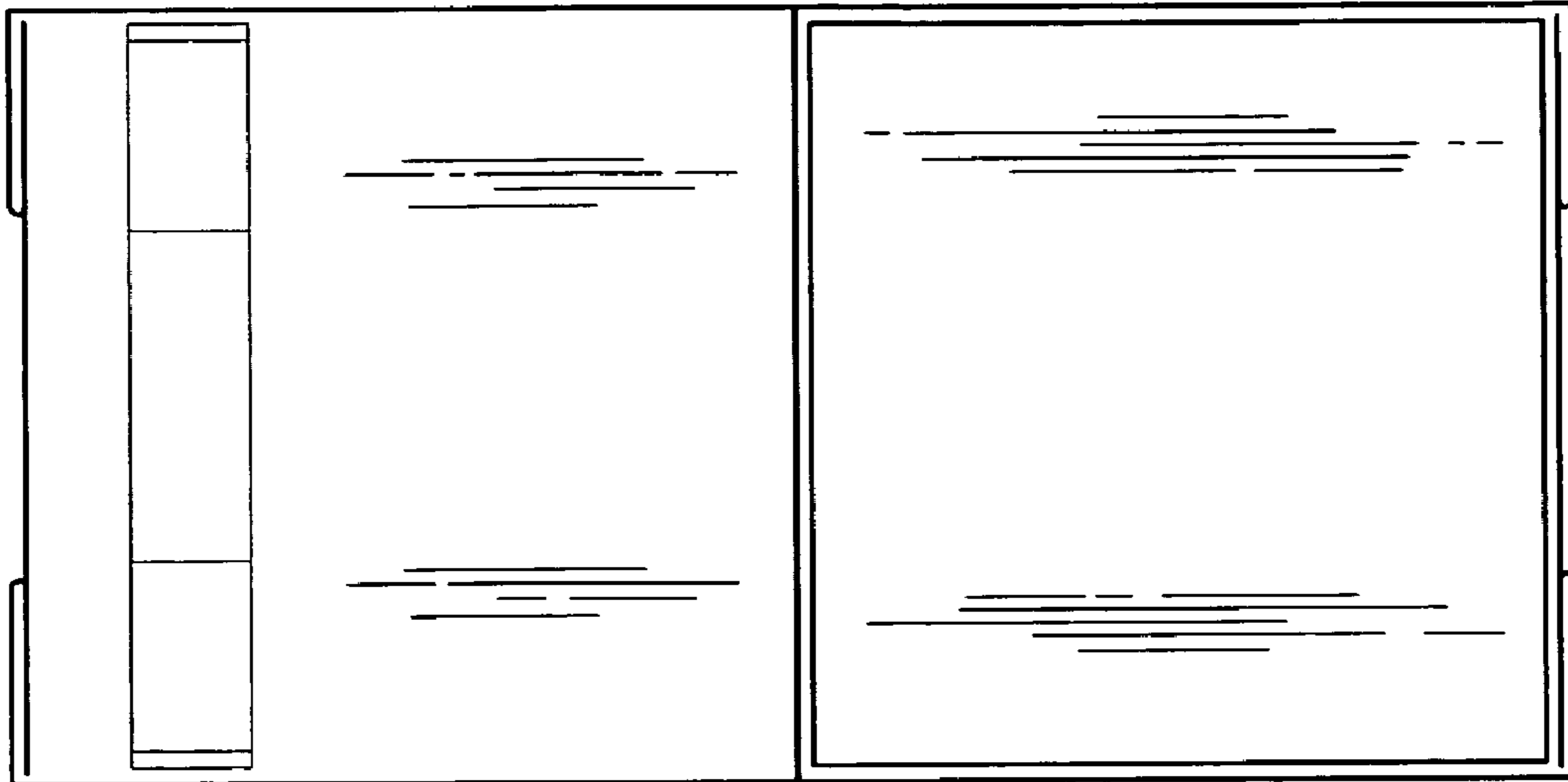


FIG. 4

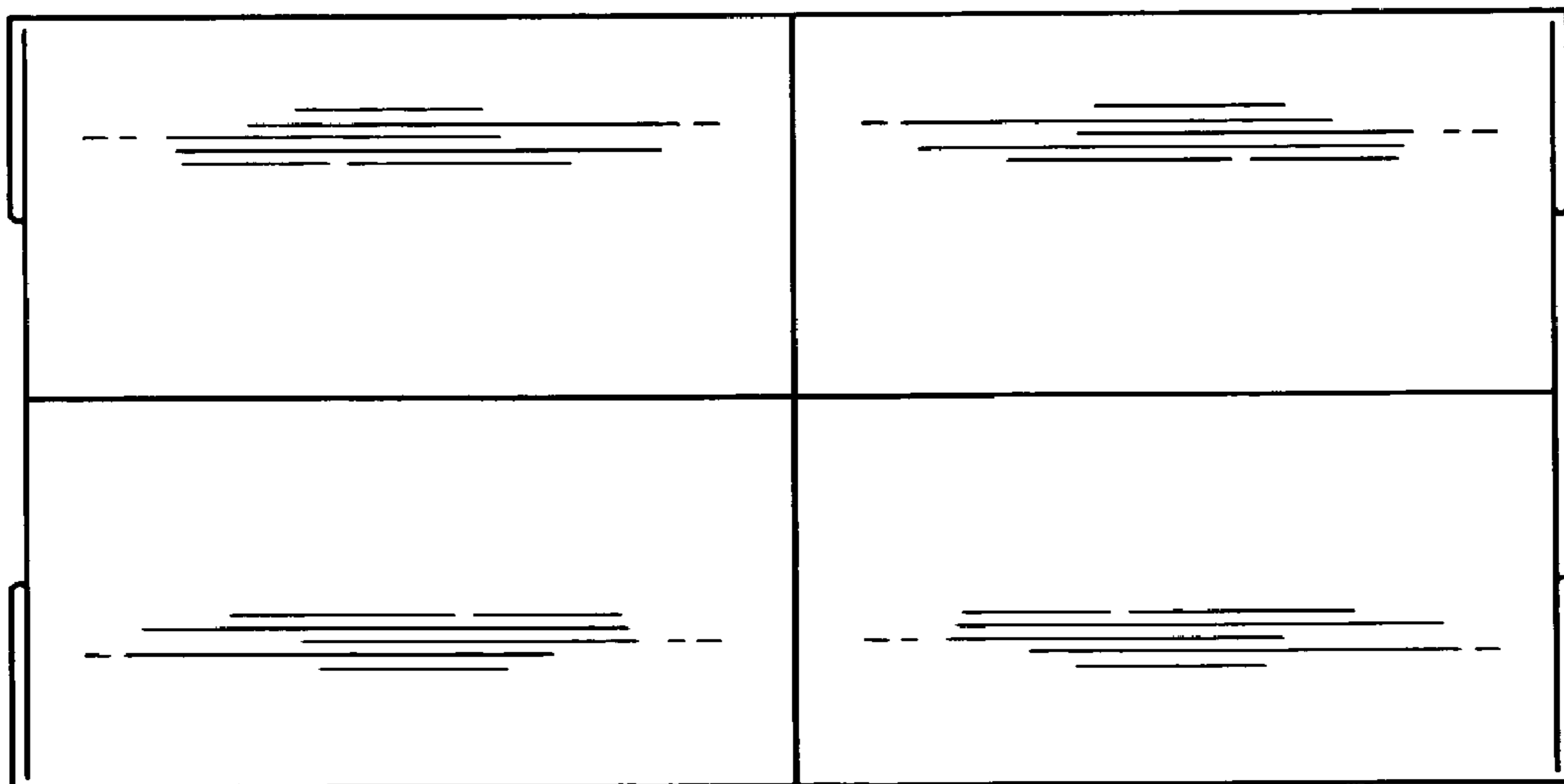


FIG. 5

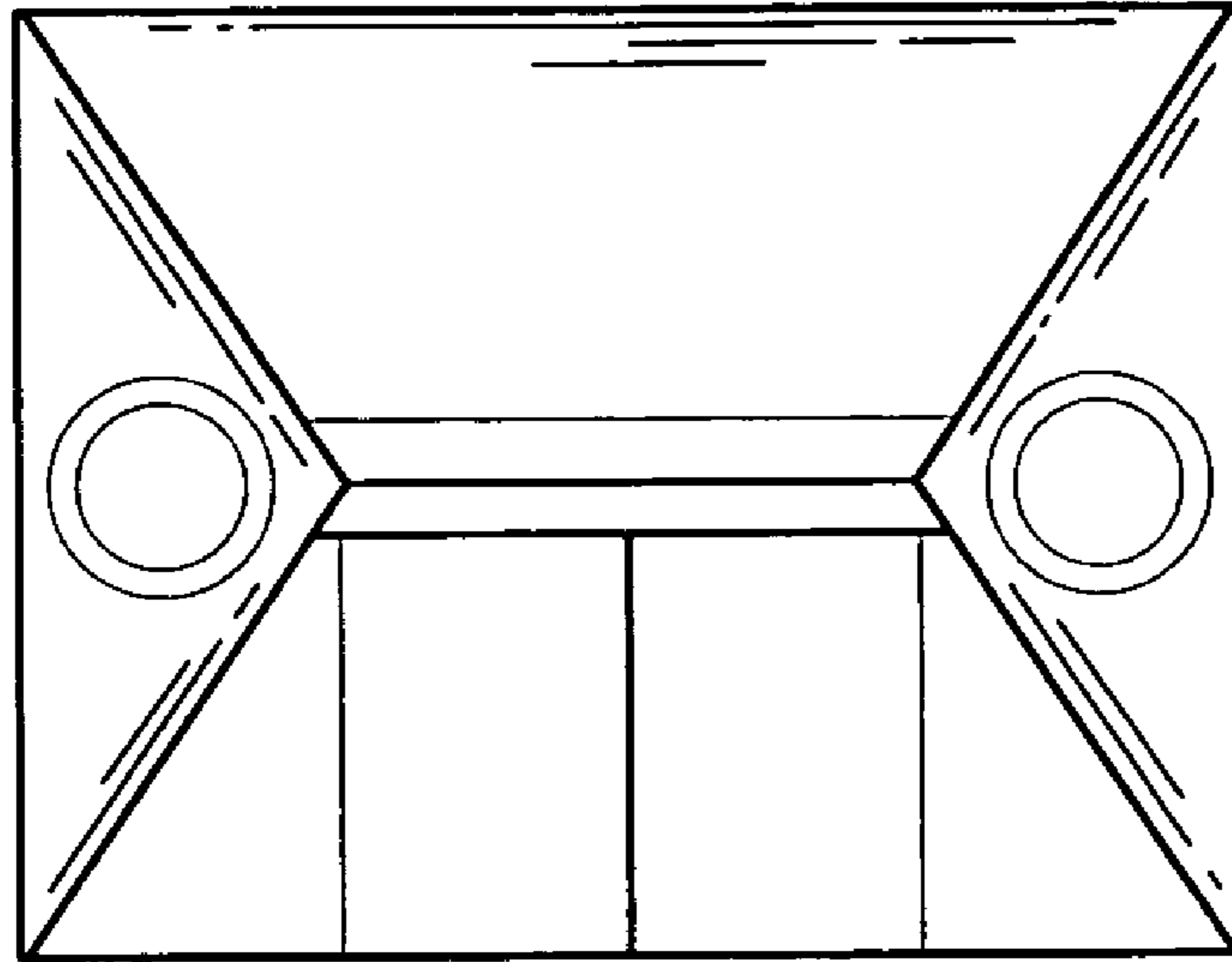


FIG. 6

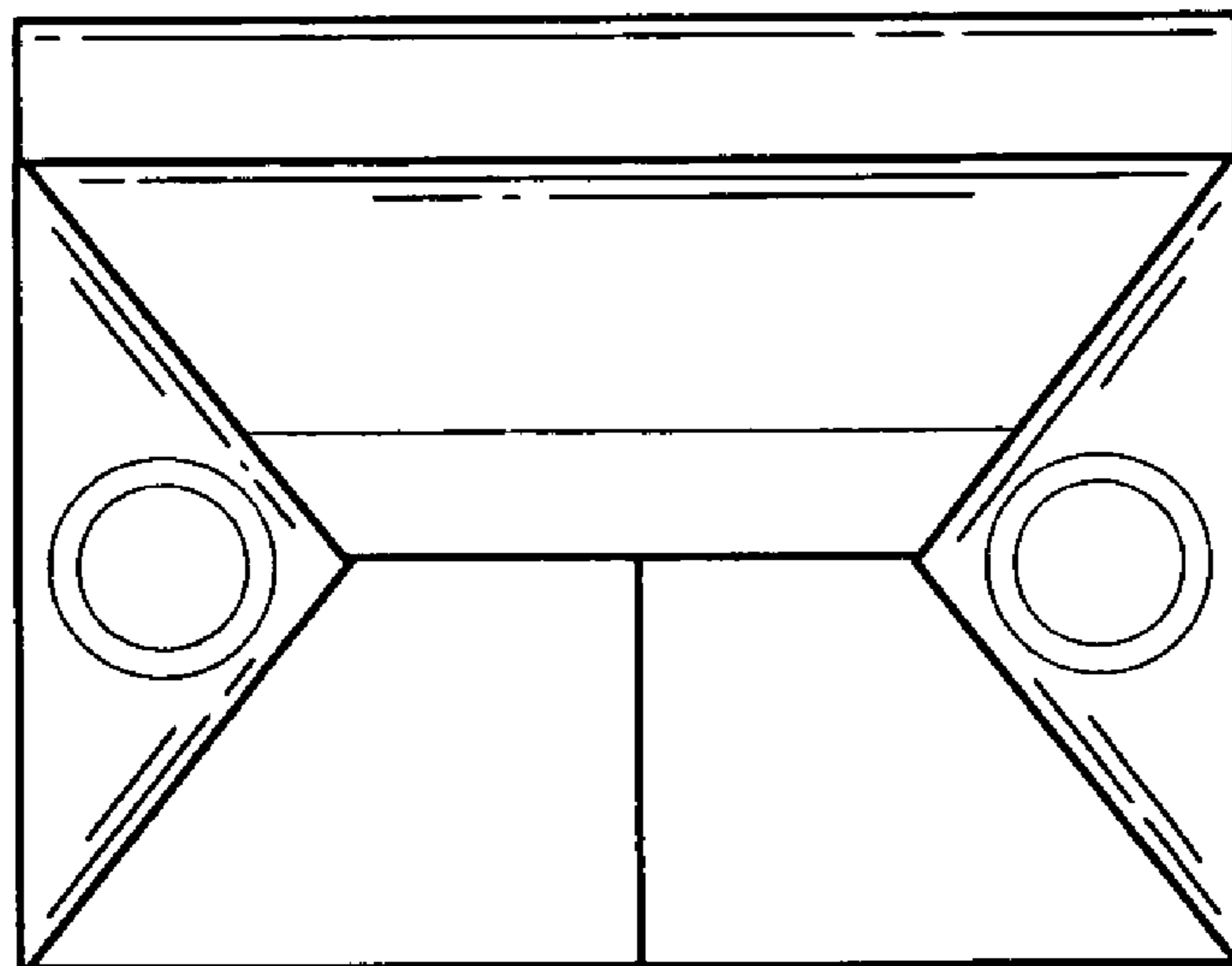


FIG. 7