



US00D624822S

(12) **United States Design Patent**
Lovelace, Jr. et al.

(10) **Patent No.:** **US D624,822 S**
(45) **Date of Patent:** **** Oct. 5, 2010**

(54) **PLASTIC CONTAINER**

(75) Inventors: **Richard A. Lovelace, Jr.**, Munroe Falls, OH (US); **James J. Miller**, Barberton, OH (US)

(73) Assignee: **Plastipak Packaging, Inc.**, Plymouth, MI (US)

(**) Term: **14 Years**

(21) Appl. No.: **29/339,885**

(22) Filed: **Jul. 9, 2009**

(51) **LOC (9) Cl.** **09-01**

(52) **U.S. Cl.** **D9/540; D9/531; D9/557**

(58) **Field of Classification Search** D9/500, D9/516, 530, 531, 537, 538, 540, 543, 549, D9/550, 553, 557, 434, 435, 443; D7/300, D7/306; 215/381–385, 396; 220/662.665
See application file for complete search history.

(56) **References Cited**

U.S. PATENT DOCUMENTS

D326,051 S *	5/1992	Frahm	D9/558
D326,608 S *	6/1992	Frahm	D9/500
D355,367 S *	2/1995	Rokus	D9/531
D361,039 S *	8/1995	Rokus	D9/531
5,469,612 A *	11/1995	Collette et al.	29/453
D372,844 S *	8/1996	Nunes	D7/622
D397,942 S *	9/1998	Lewis	D9/531
D411,802 S *	7/1999	Hestehave et al.	D9/500
D414,109 S *	9/1999	Ota et al.	D9/434
D430,038 S *	8/2000	Young et al.	D9/549
D471,457 S *	3/2003	Deichler et al.	D9/502
D474,692 S *	5/2003	Yu	D9/531
D478,514 S *	8/2003	Fai	D9/531
D487,701 S *	3/2004	Thibodeau et al.	D9/531
D510,522 S *	10/2005	Laveault et al.	D9/443
D605,937 S *	12/2009	Lovelace et al.	D9/434
D605,946 S *	12/2009	Manderfield, Jr.	D9/531
D617,194 S *	6/2010	Jones	D9/455

2010/0032406 A1* 2/2010 Magata 215/396

* cited by examiner

Primary Examiner—Stella M Reid

Assistant Examiner—Keli L Hill

(74) *Attorney, Agent, or Firm*—Dykema Gossett PLLC

(57) **CLAIM**

The ornamental design for a plastic container, as shown and described.

DESCRIPTION

FIG. 1 is a perspective view of a first embodiment of a plastic container showing our new design as viewed from the top, rear, and left side, including a handle illustrated in broken lines;

FIG. 2 is a front view of the container;

FIG. 3 is a rear view of the container;

FIG. 4 is a left side view of the container;

FIG. 5 is a right side view of the container;

FIG. 6 is a top plan view of the container;

FIG. 7 is a bottom view of the container;

FIG. 8 is a perspective view of a second embodiment of a plastic container showing our new design, the container including a handle and being viewed from the top, rear, and left side;

FIG. 9 is a front view of the container;

FIG. 10 is a rear view of the container;

FIG. 11 is a left side view of the container;

FIG. 12 is a right side view of the container;

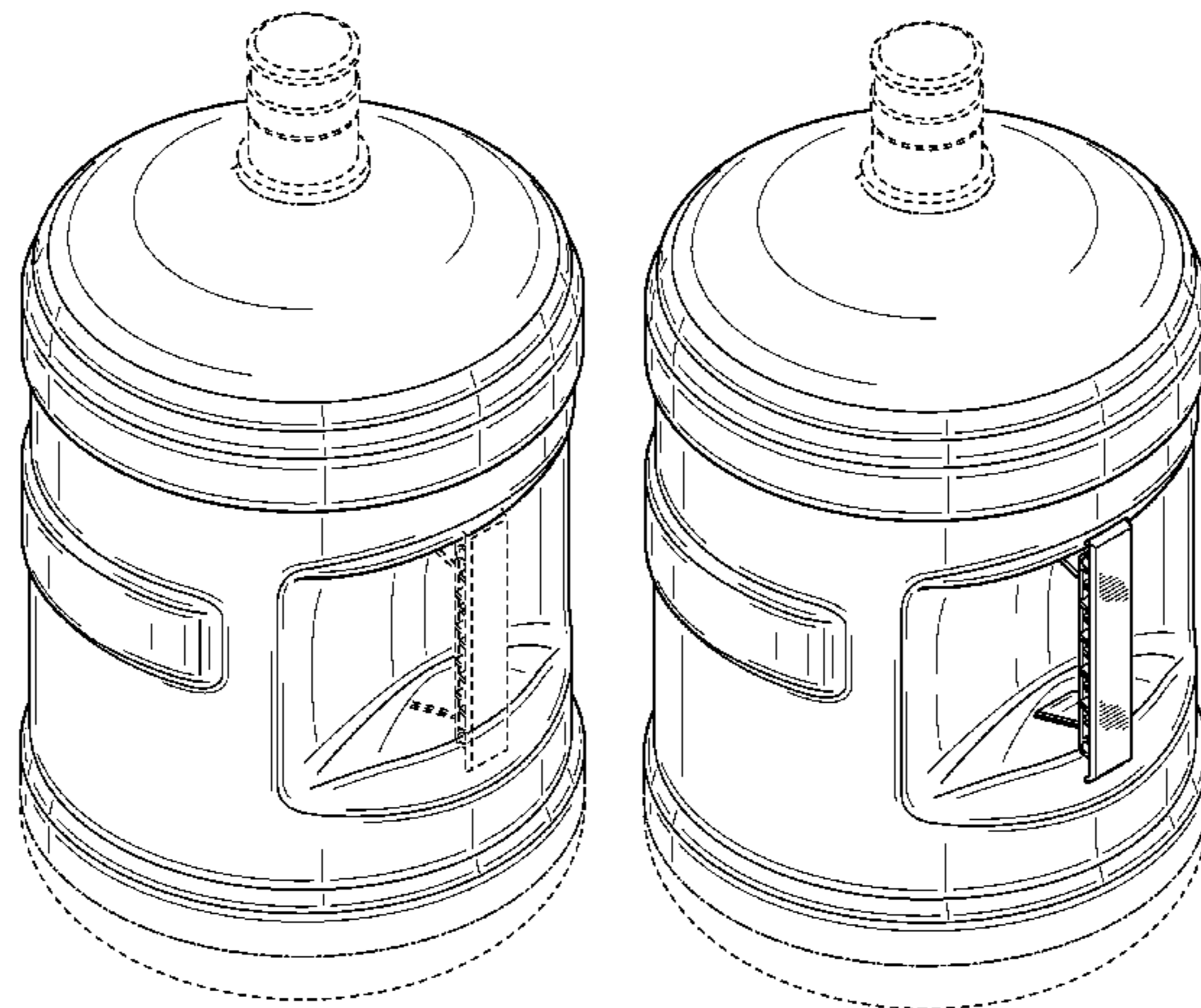
FIG. 13 is a top plan view of the container; and,

FIG. 14 is a bottom view of the container.

The dash-dash-dash-dash broken lines shown in the drawings are included for the purpose of showing environmental structure that forms no part of the claimed design.

The dot-dash-dot-dash broken lines shown in the drawings represent the boundary lines of the claimed design.

1 Claim, 12 Drawing Sheets



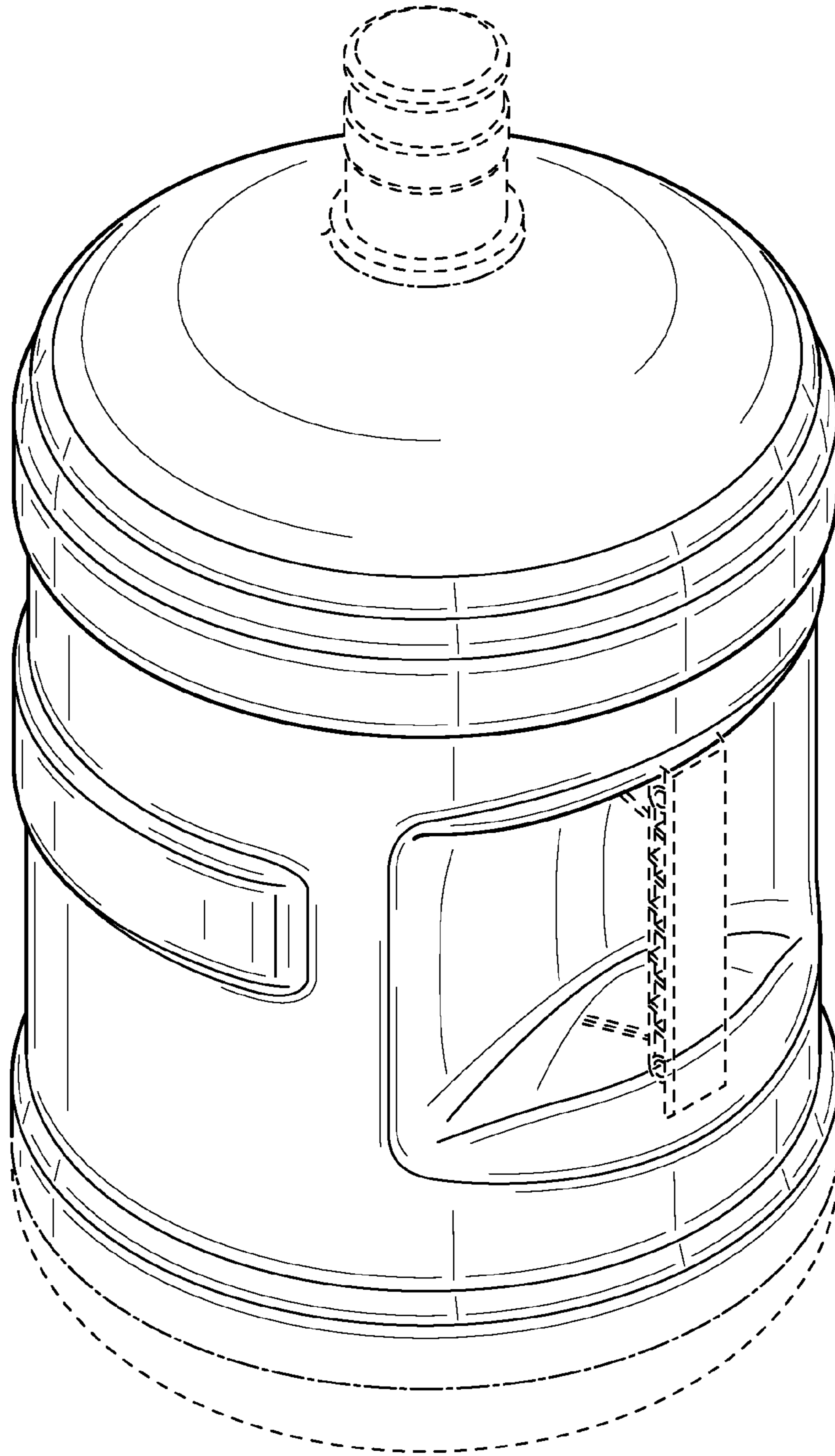


FIG. 1

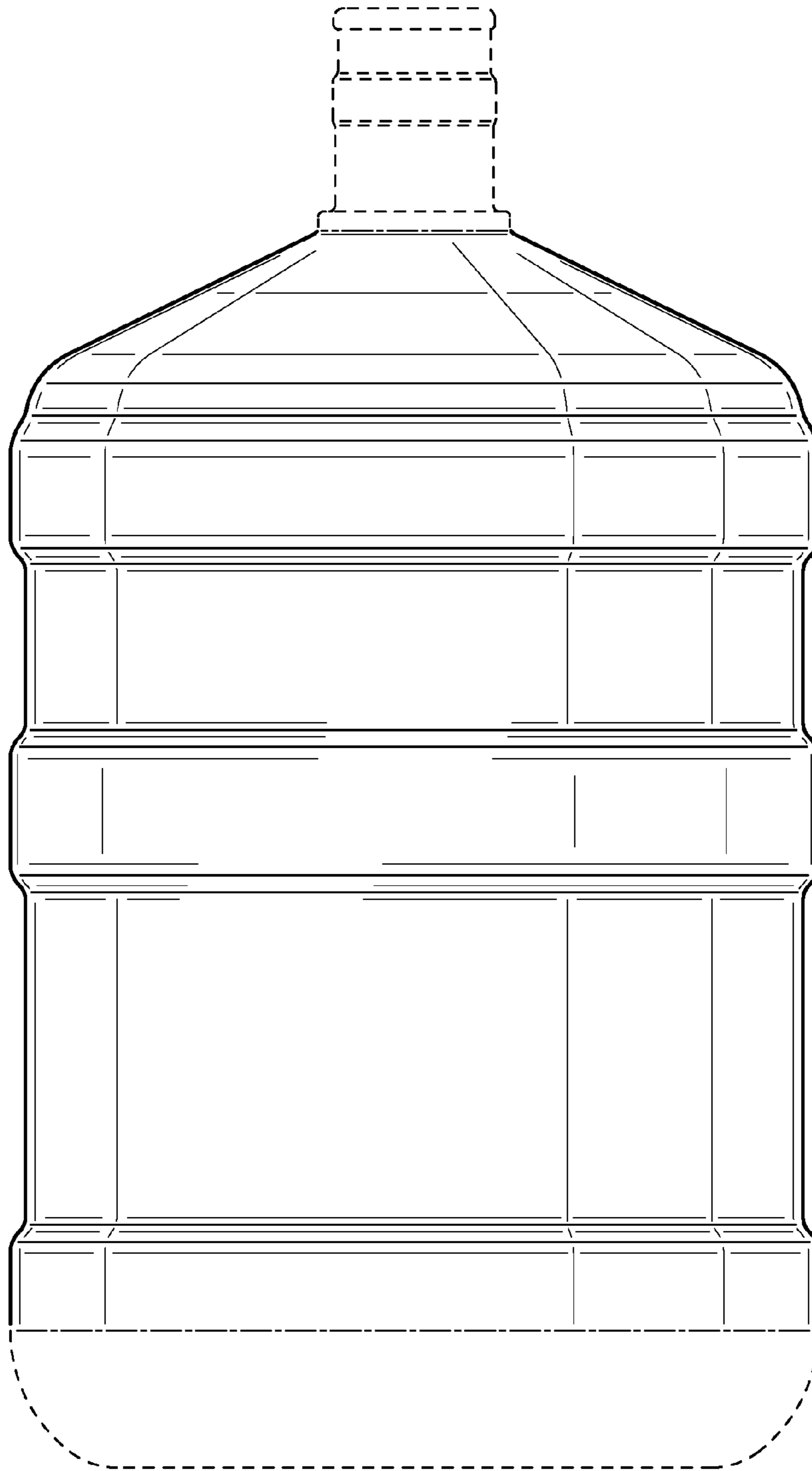


FIG. 2

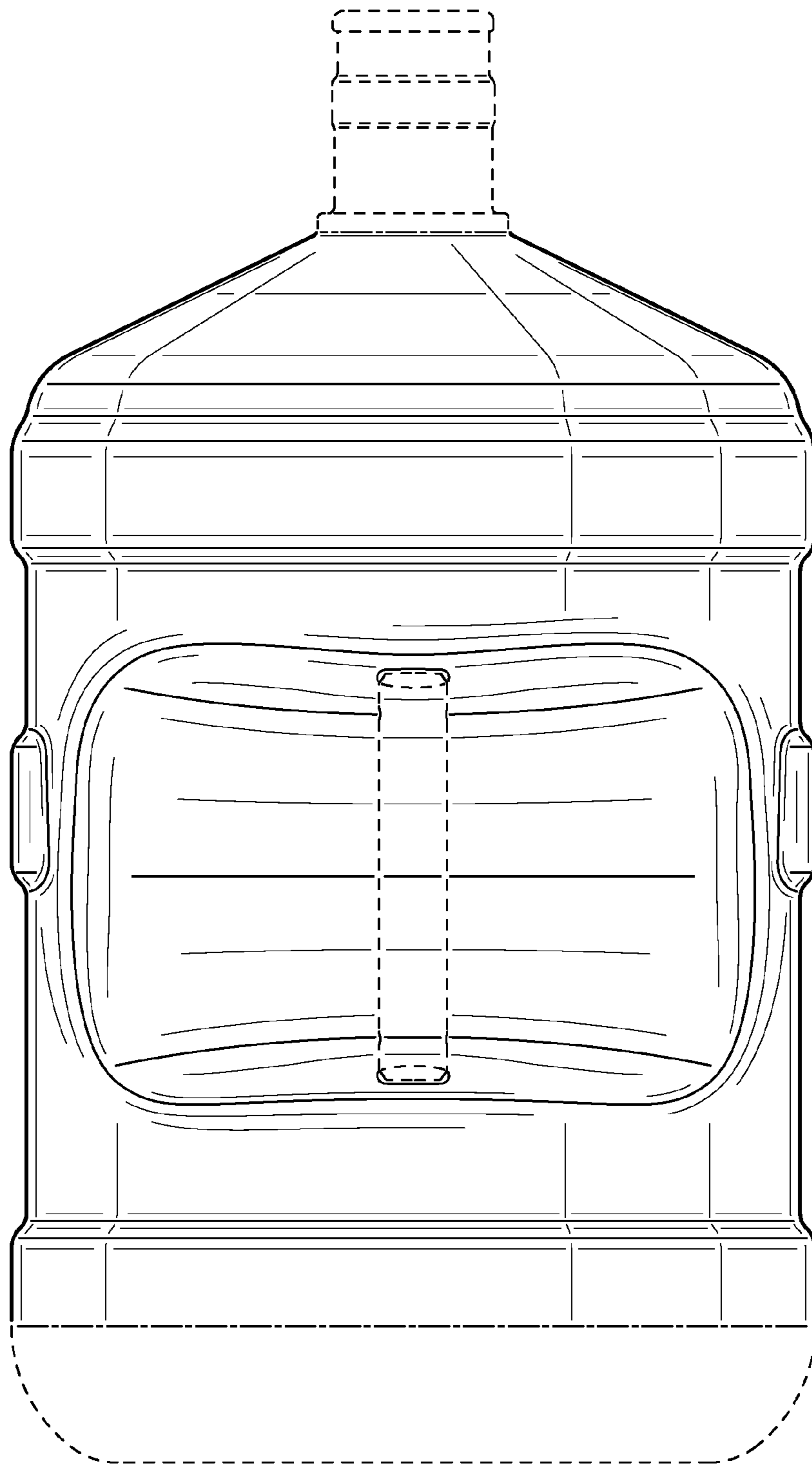


FIG. 3

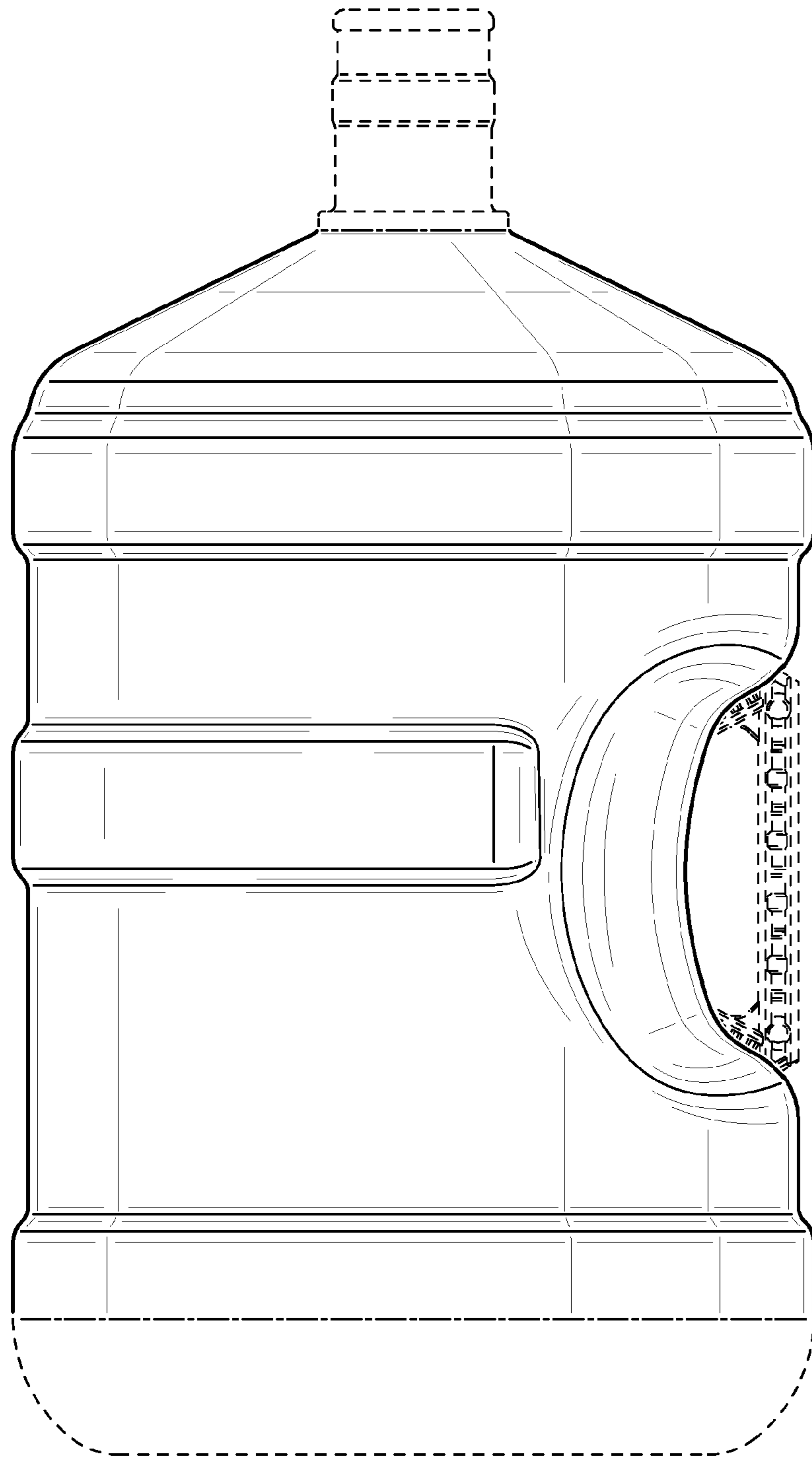


FIG. 4

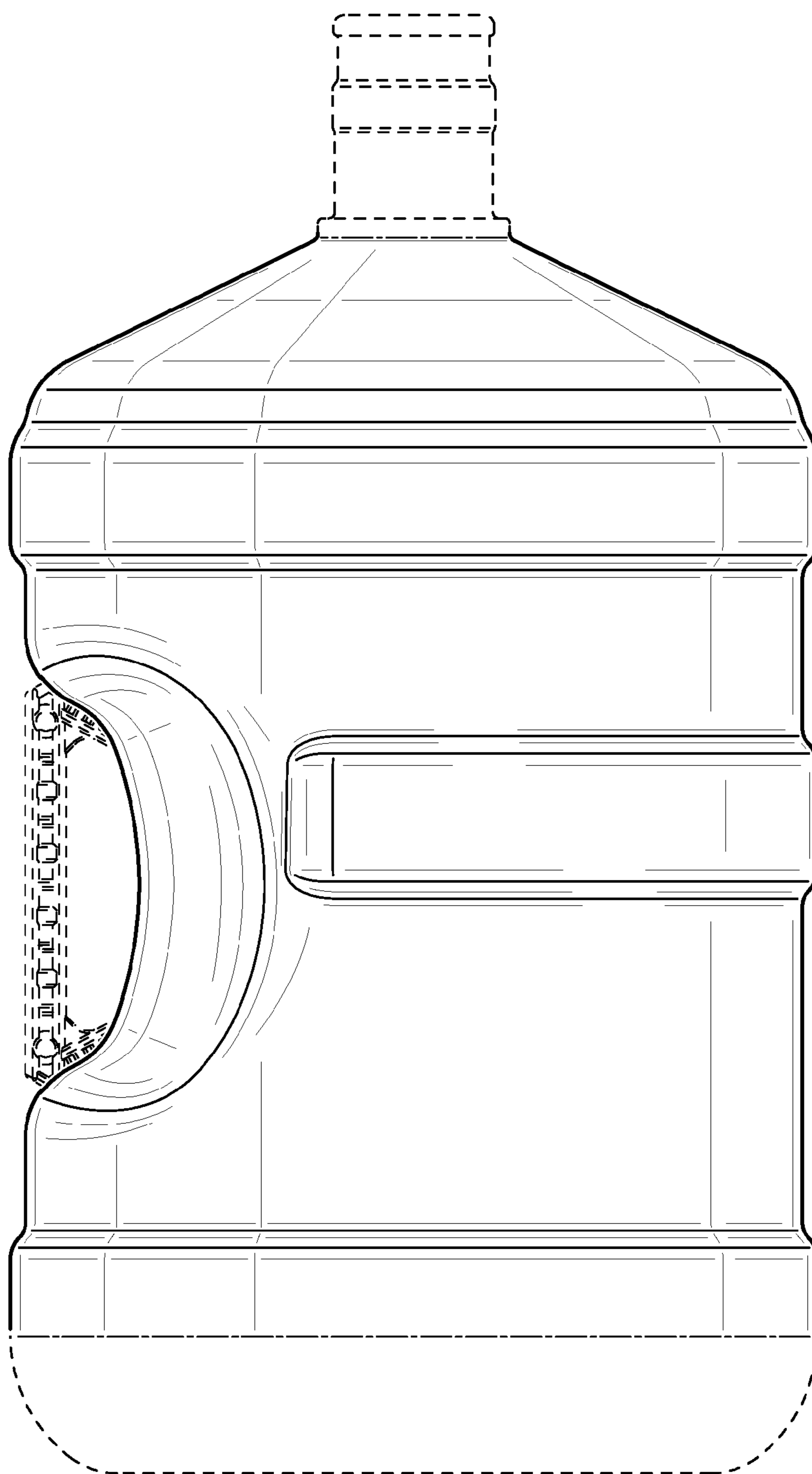


FIG. 5

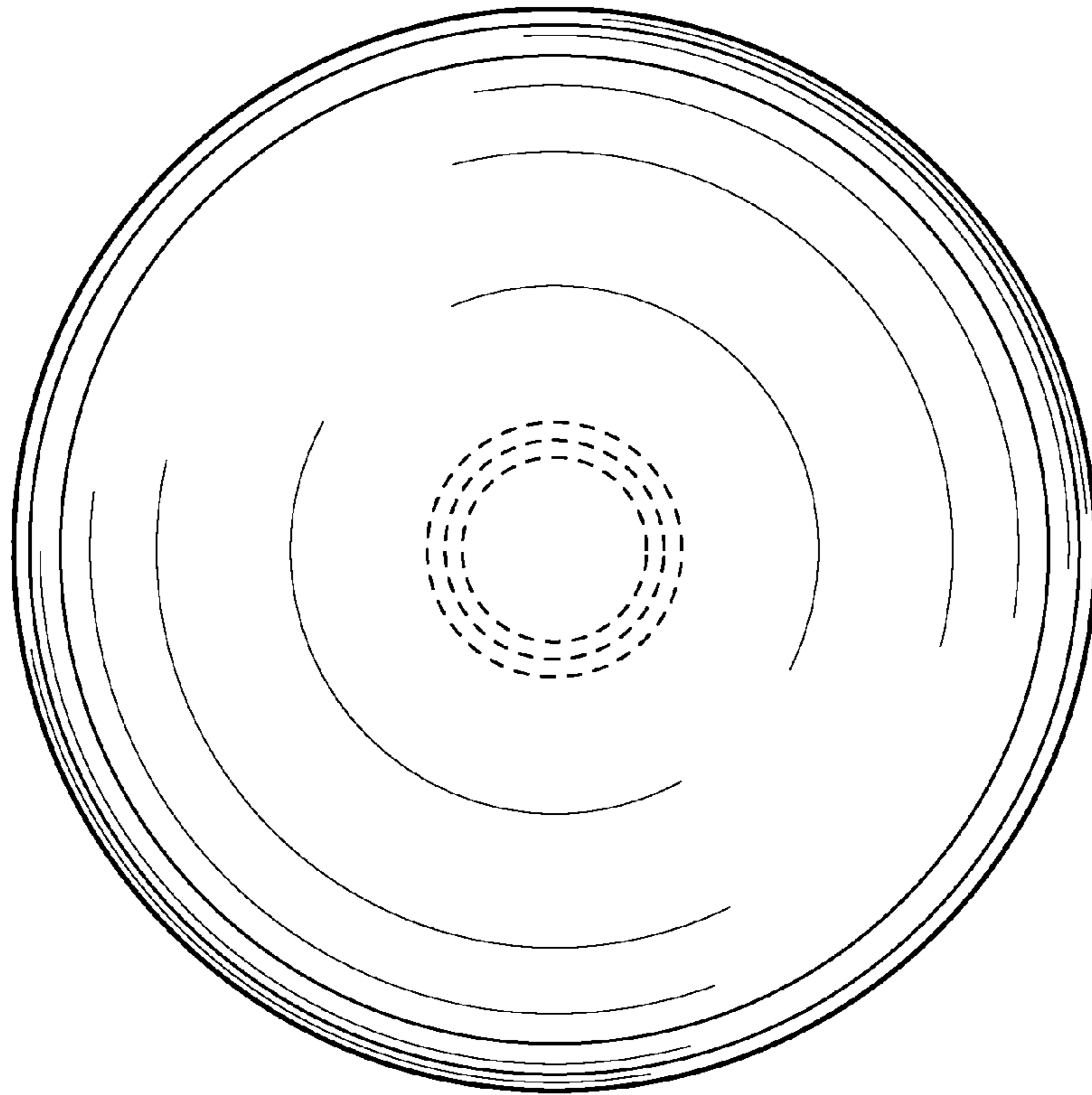


FIG. 6

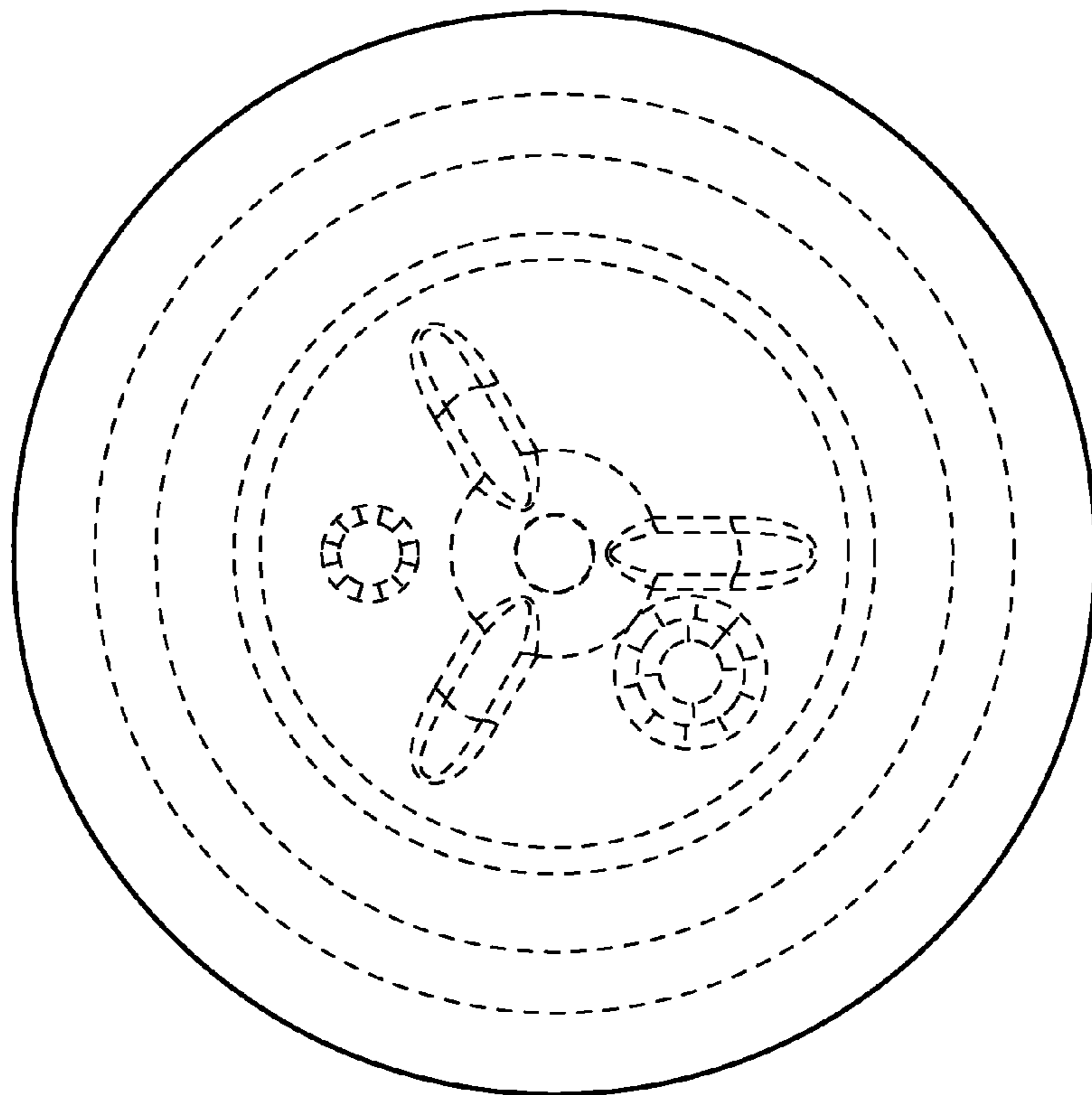


FIG. 7

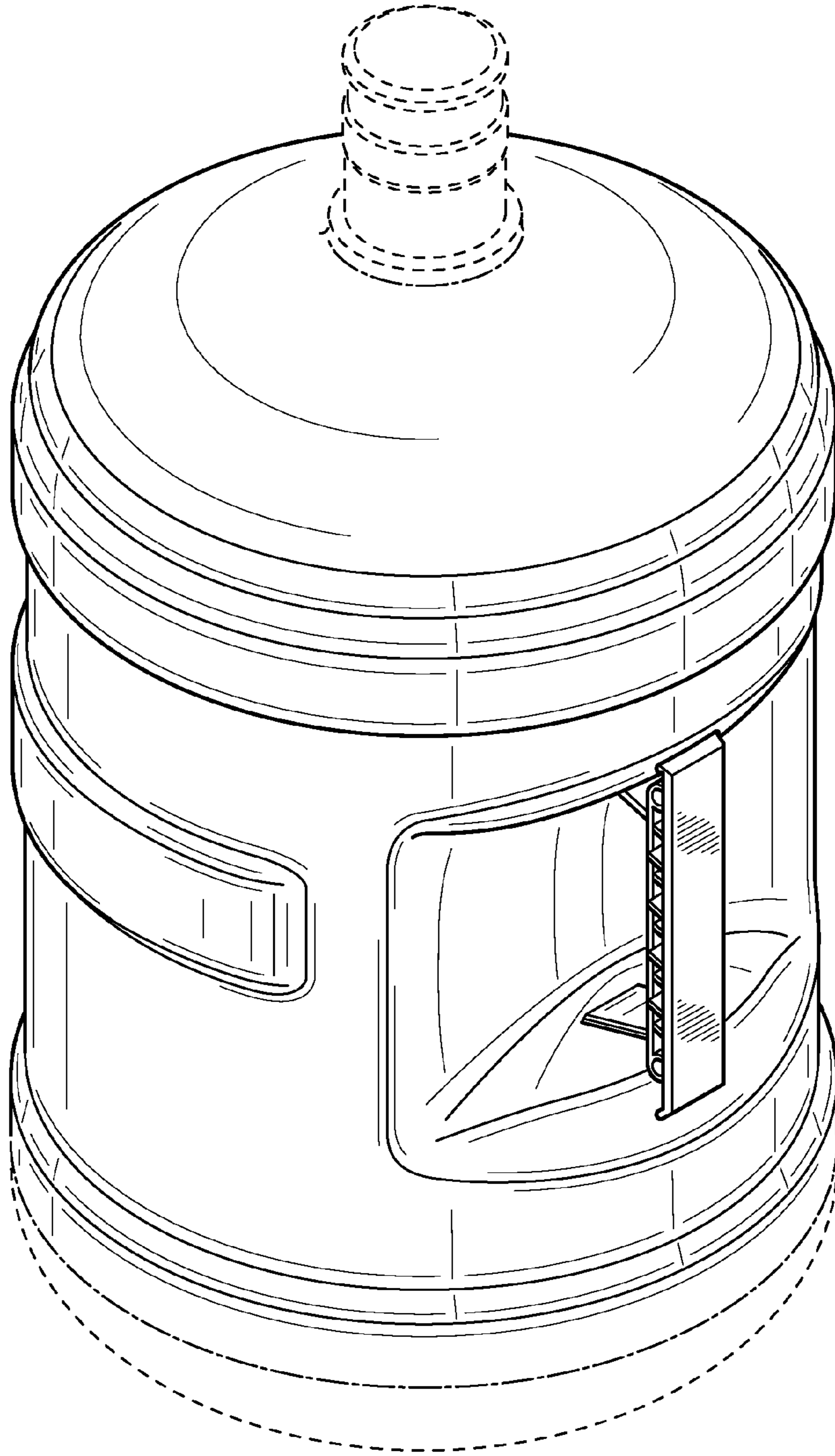


FIG. 8

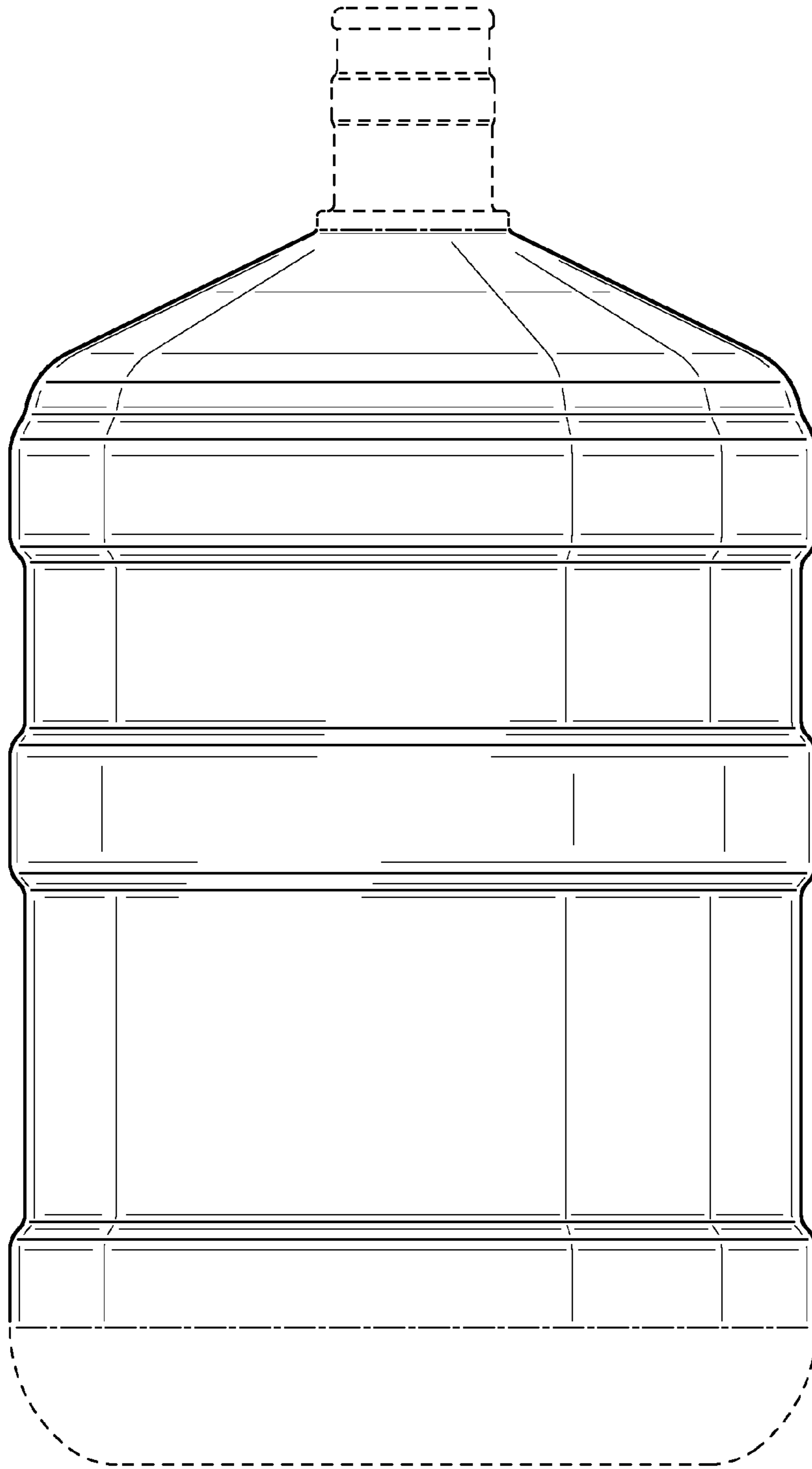


FIG. 9

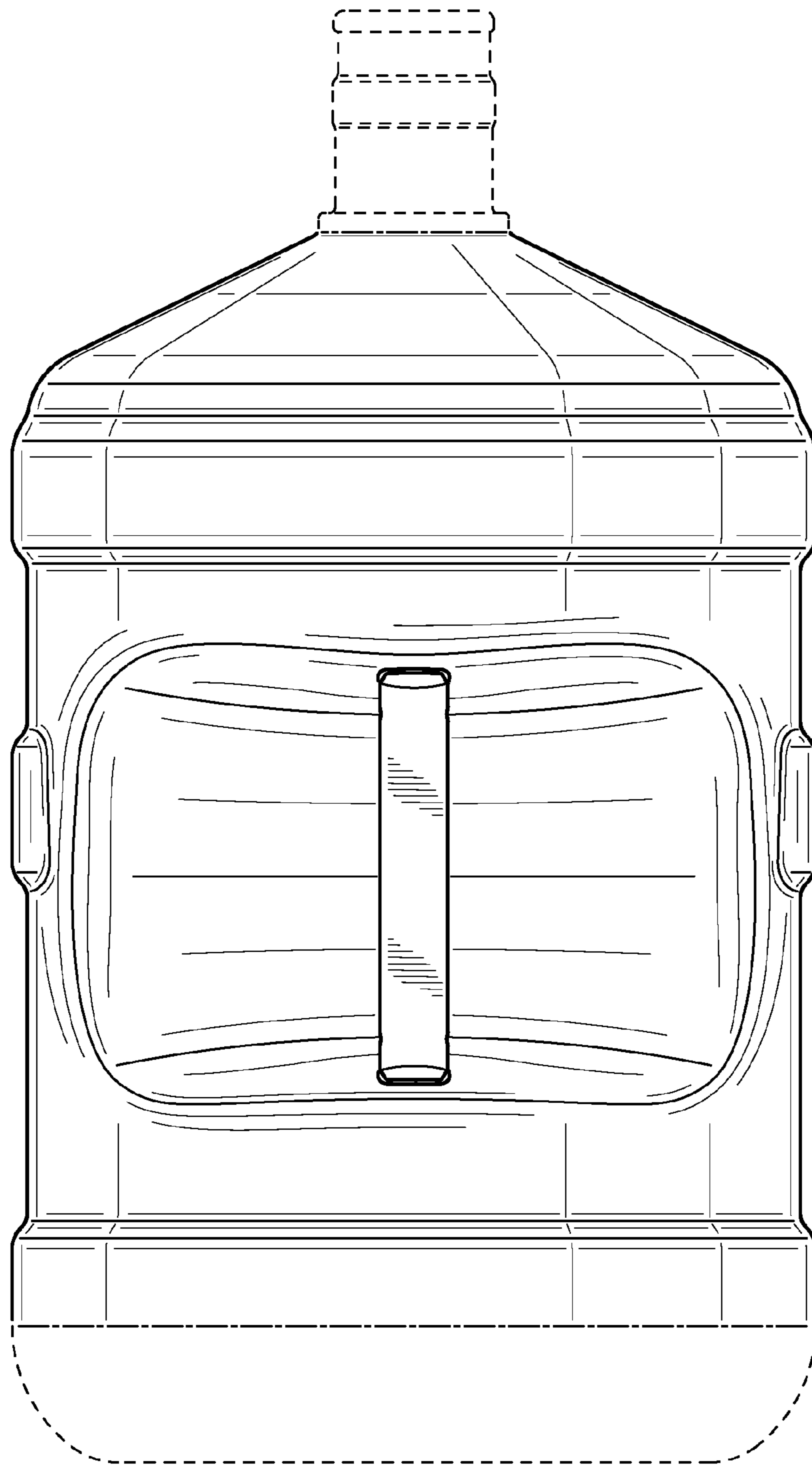


FIG. 10

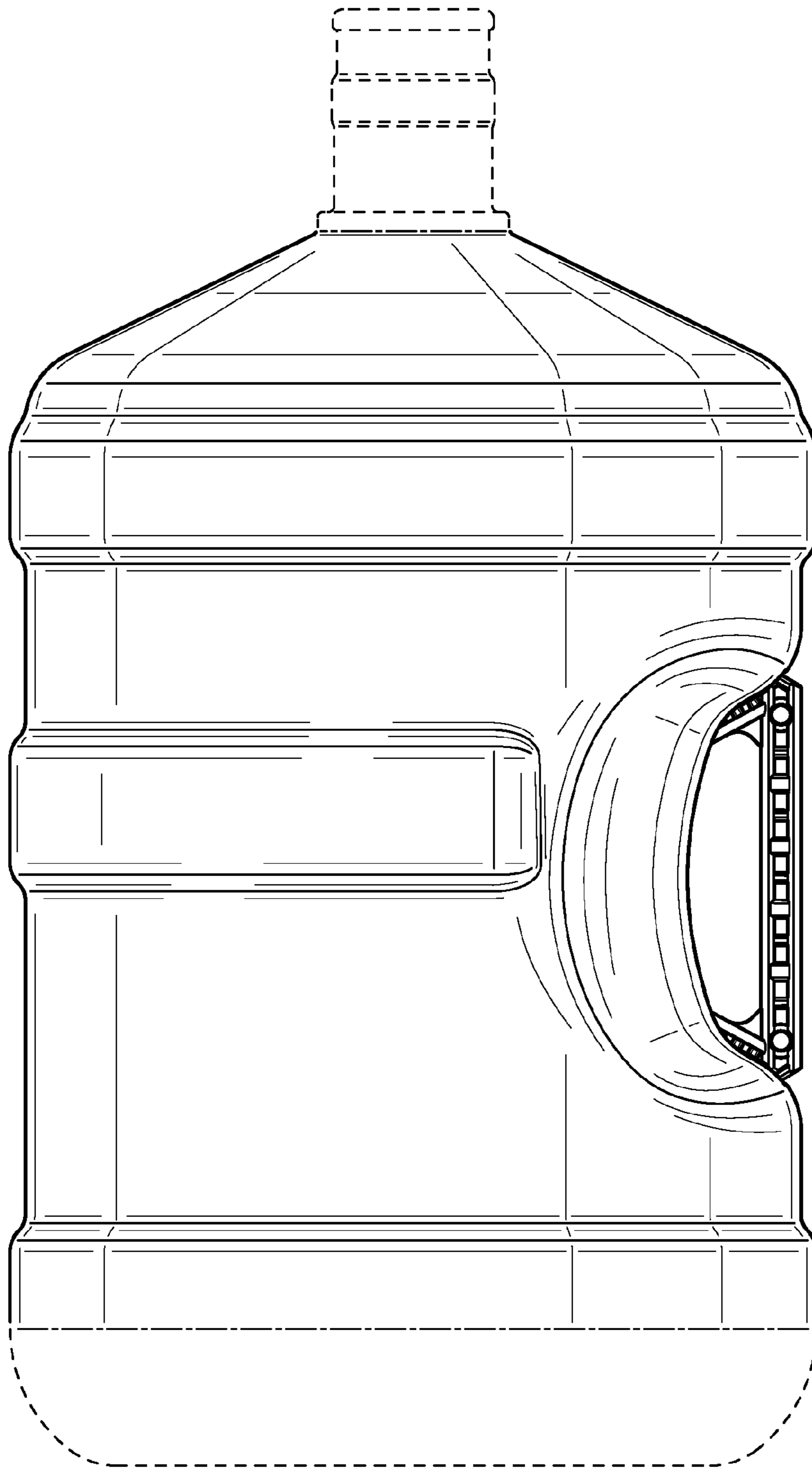


FIG. 11

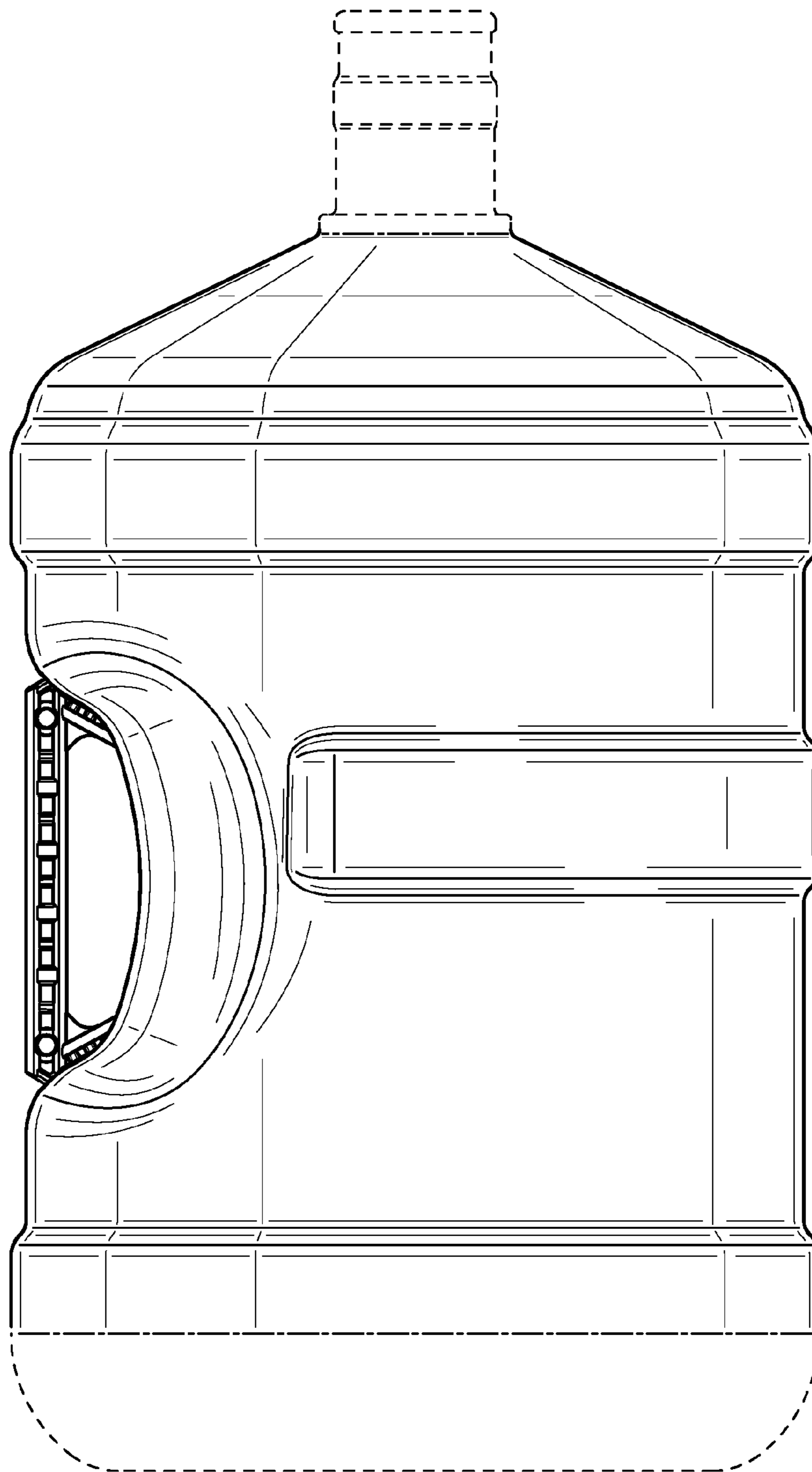


FIG. 12

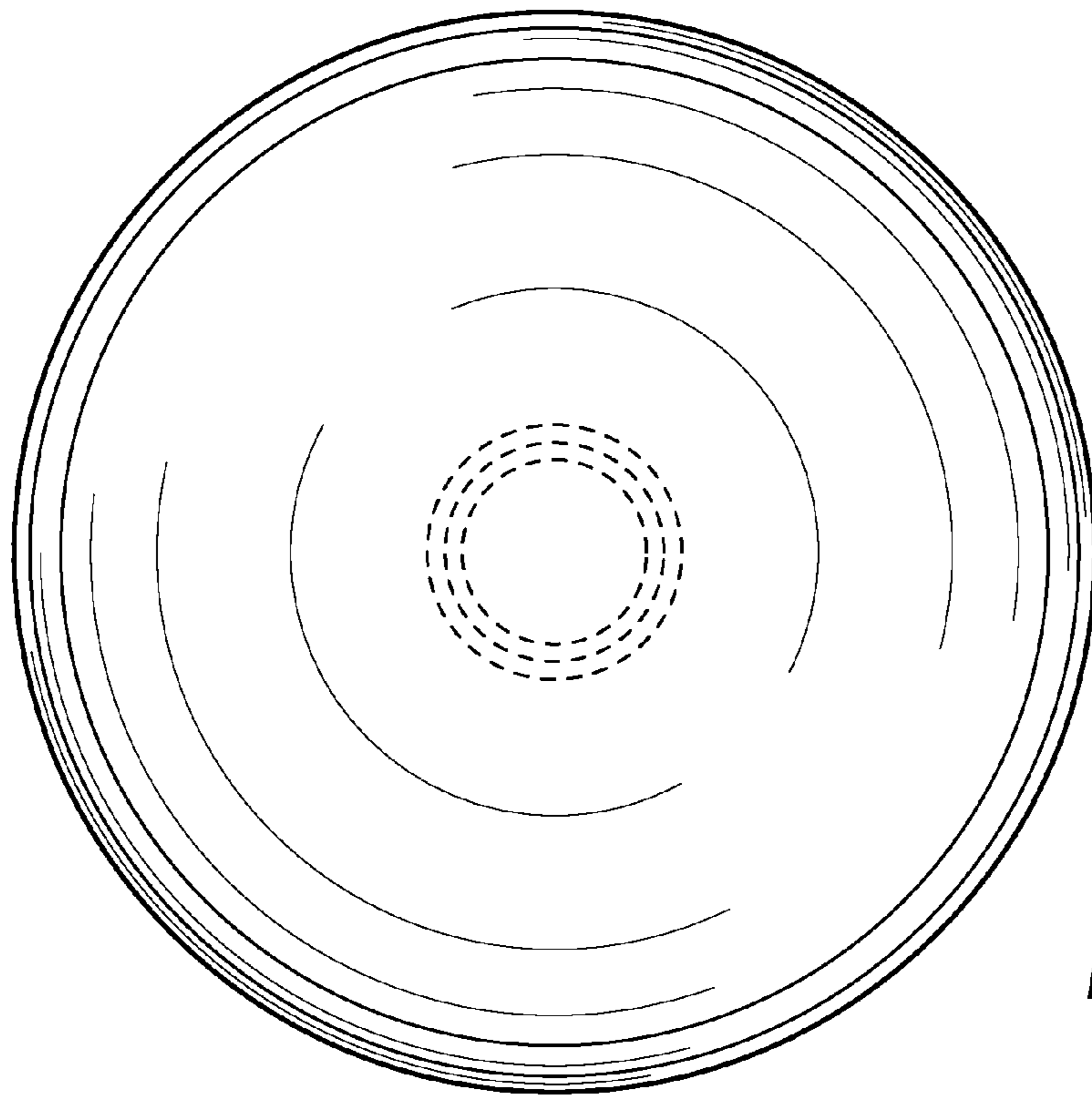


FIG. 13

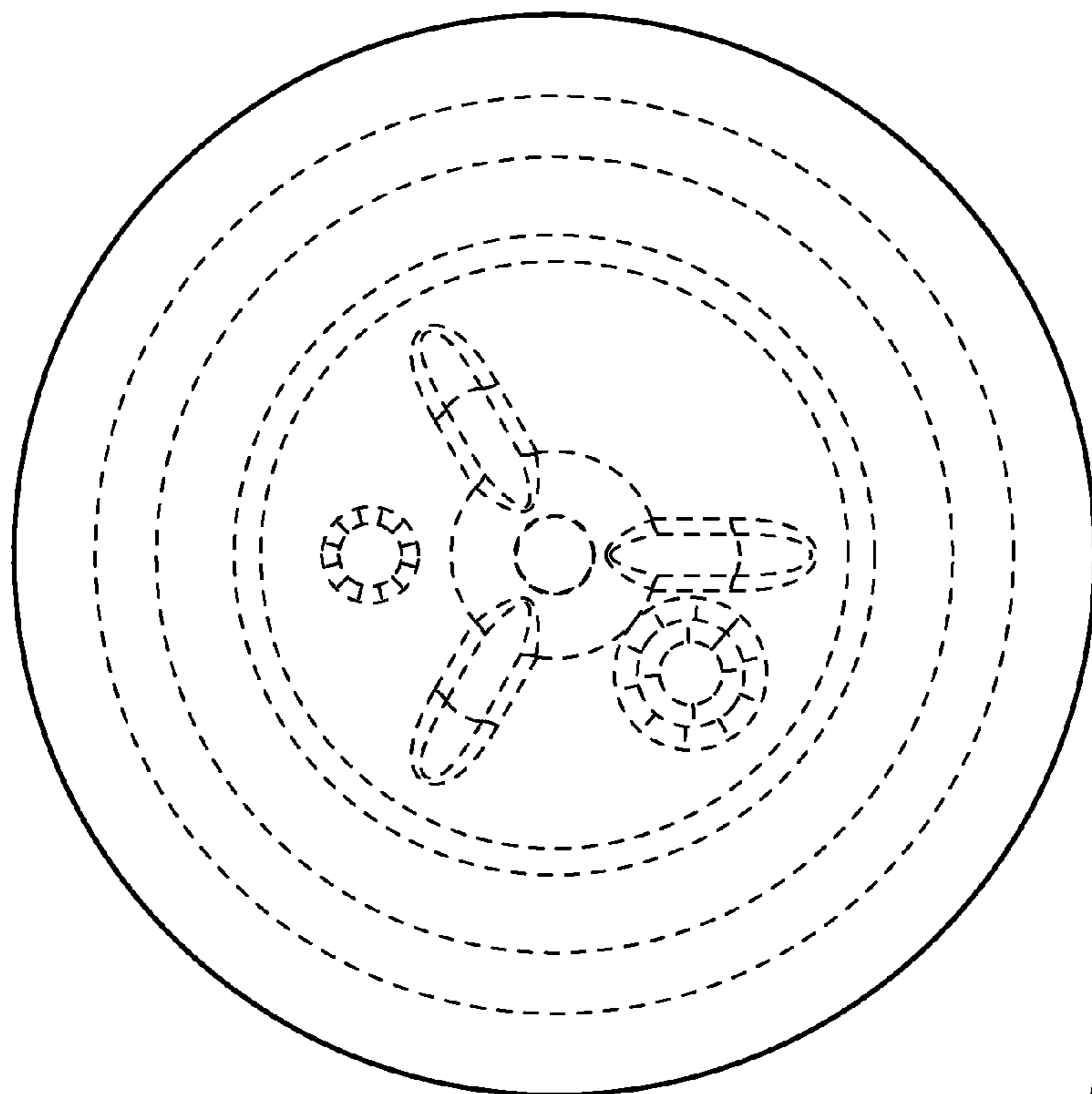


FIG. 14