



US00D624820S

(12) **United States Design Patent**
Sato

(10) **Patent No.:** **US D624,820 S**

(45) **Date of Patent:** **** Oct. 5, 2010**

(54) **SCREW CAP**

(76) Inventor: **Tamotsu Sato**, Takahashi-cho 1-19,
Ogaki-shi, Gifu (JP) 503-0896

(**) Term: **14 Years**

(21) Appl. No.: **29/327,629**

(22) Filed: **Nov. 10, 2008**

(51) **LOC (9) Cl.** **09-07**

(52) **U.S. Cl.** **D9/453; D9/443**

(58) **Field of Classification Search** D9/708,
D9/709, 705, 629, 454, 453, 452, 451, 447,
D9/445, 443, 439, 438, 435; D7/571, 567,
D7/354; D24/224, 197; 222/566, 525; 220/288;
215/329, 328, 256, 252, 238, 222; 116/308
See application file for complete search history.

(56) **References Cited**

U.S. PATENT DOCUMENTS

3,937,348	A *	2/1976	Guala	215/252
D250,633	S *	12/1978	Bouthillier et al.	D9/453
D296,672	S *	7/1988	Bouthillier	D9/436
H803	H *	8/1990	Sherrington	D9/435
5,358,872	A *	10/1994	Mussi et al.	435/297.1
D370,300	S *	5/1996	Gottvald et al.	D27/172
D404,303	S *	1/1999	Webster	D9/443
D435,793	S *	1/2001	Kreiseder	D9/449

D513,986 S * 1/2006 Healy et al. D9/445

* cited by examiner

Primary Examiner—Susan Bennett Hattan

(74) *Attorney, Agent, or Firm*—Westerman, Hattori, Daniels
& Adrian, LLP

(57) **CLAIM**

The ornamental design for a screw cap, as shown and described.

DESCRIPTION

FIG. 1 is a front, elevation view of the screw cap;
 FIG. 2 is a rear, elevation view of the screw cap;
 FIG. 3 is a right side, elevation view of the screw cap;
 FIG. 4 is a left side, elevation view of the screw cap;
 FIG. 5 is a top, plan view of the screw cap;
 FIG. 6 is a bottom, plan view of the screw cap;
 FIG. 7 is a cross-sectional view taken along the line 7—7 of FIG. 5;
 FIG. 8 is a cross-sectional view taken along the line 8—8 of FIG. 5; and,
 FIG. 9 is a perspective view of the screw cap that is screwed onto a leading end of a test tube.

The broken lines in the drawings depict environmental subject matter only and form no part of the claimed design.

1 Claim, 5 Drawing Sheets

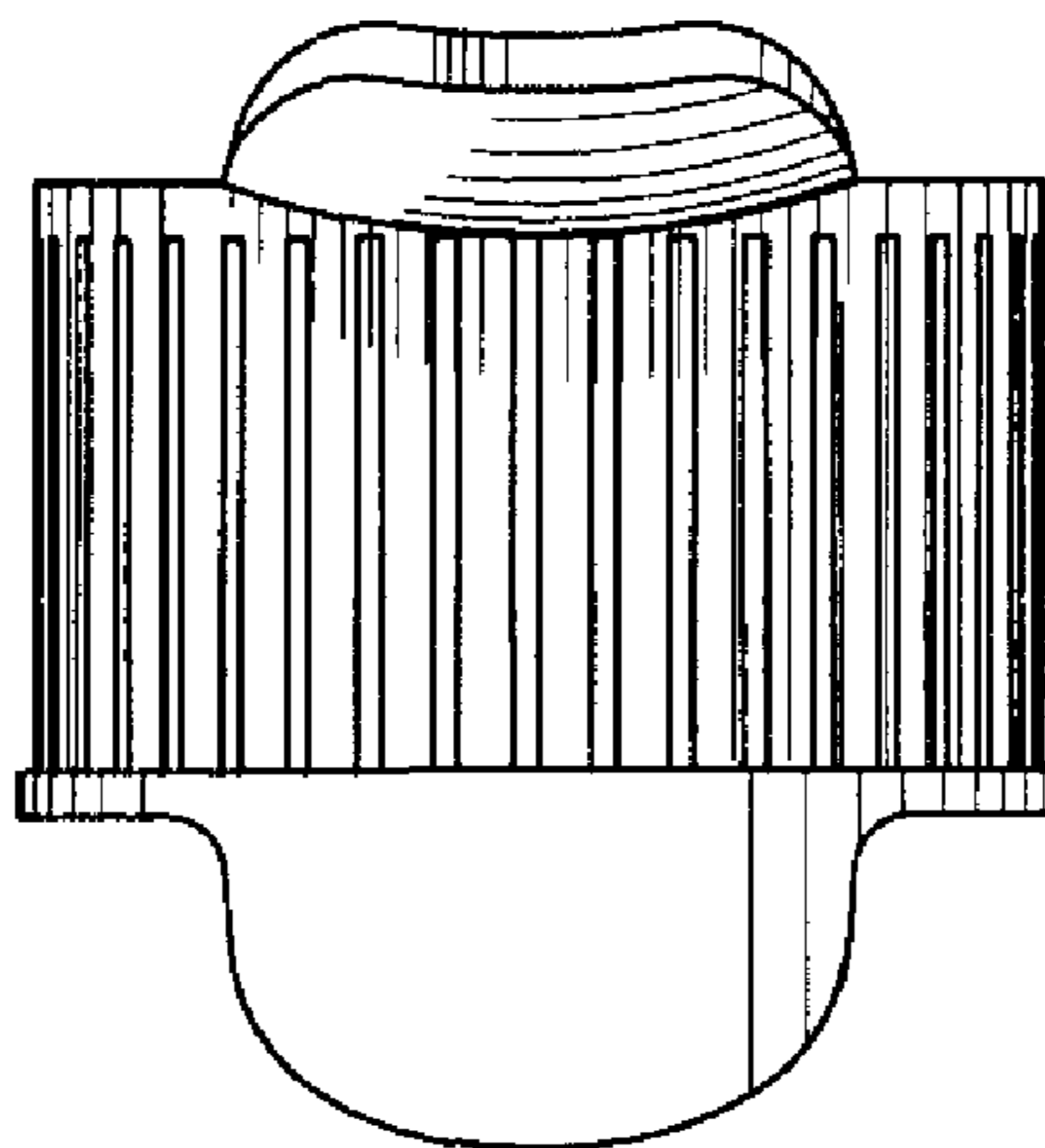


FIG. 1

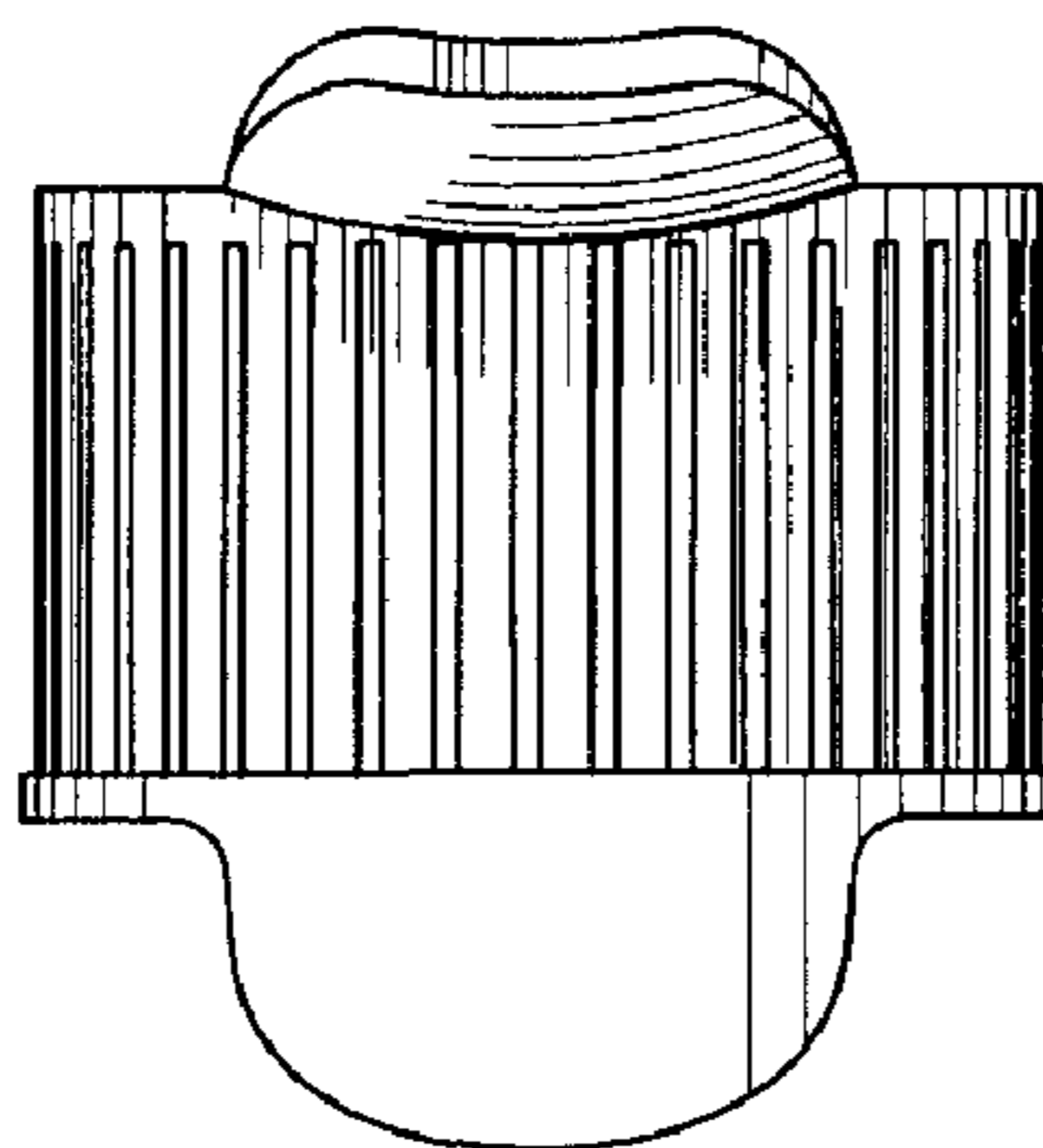


FIG. 2

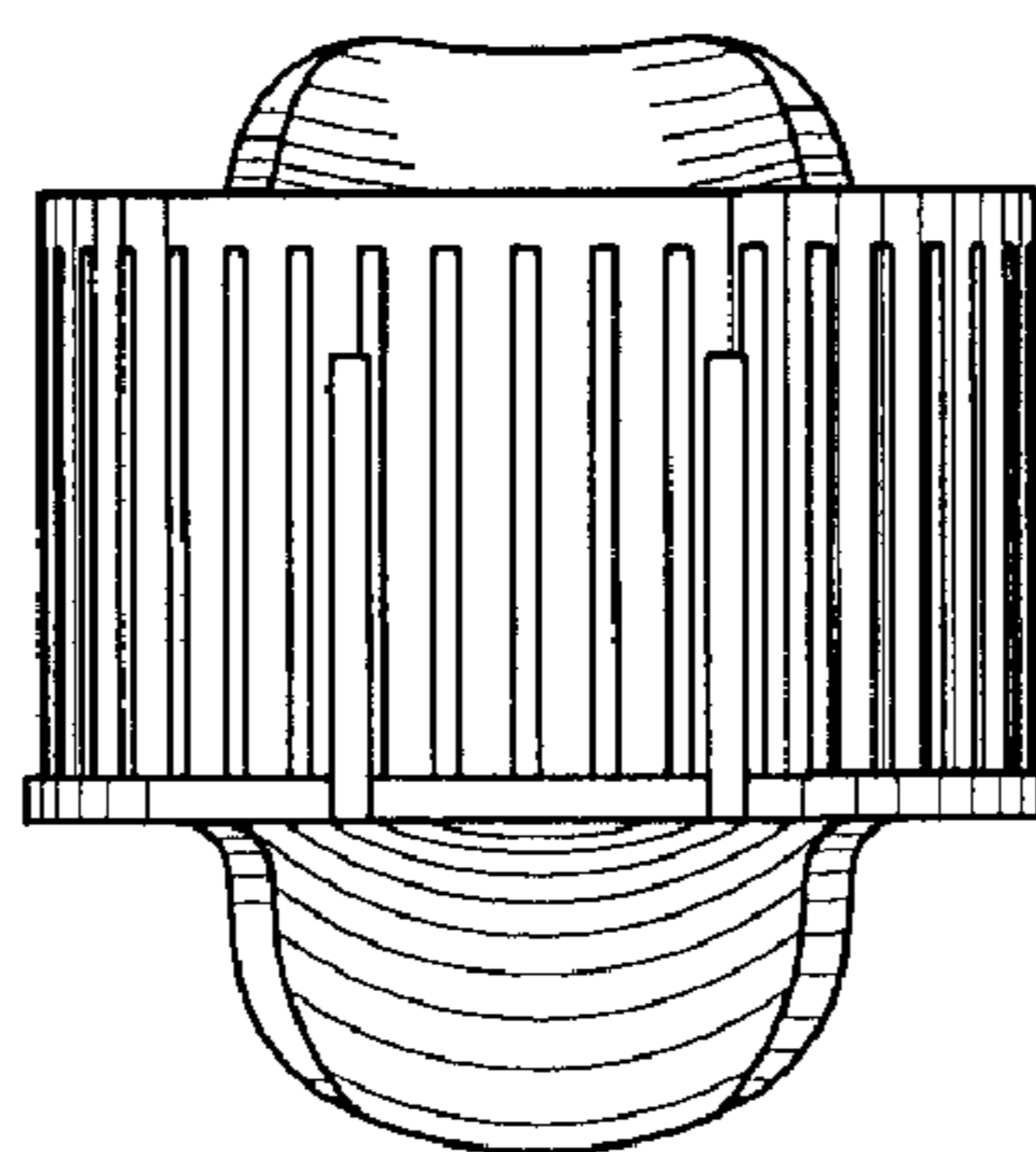


FIG. 3

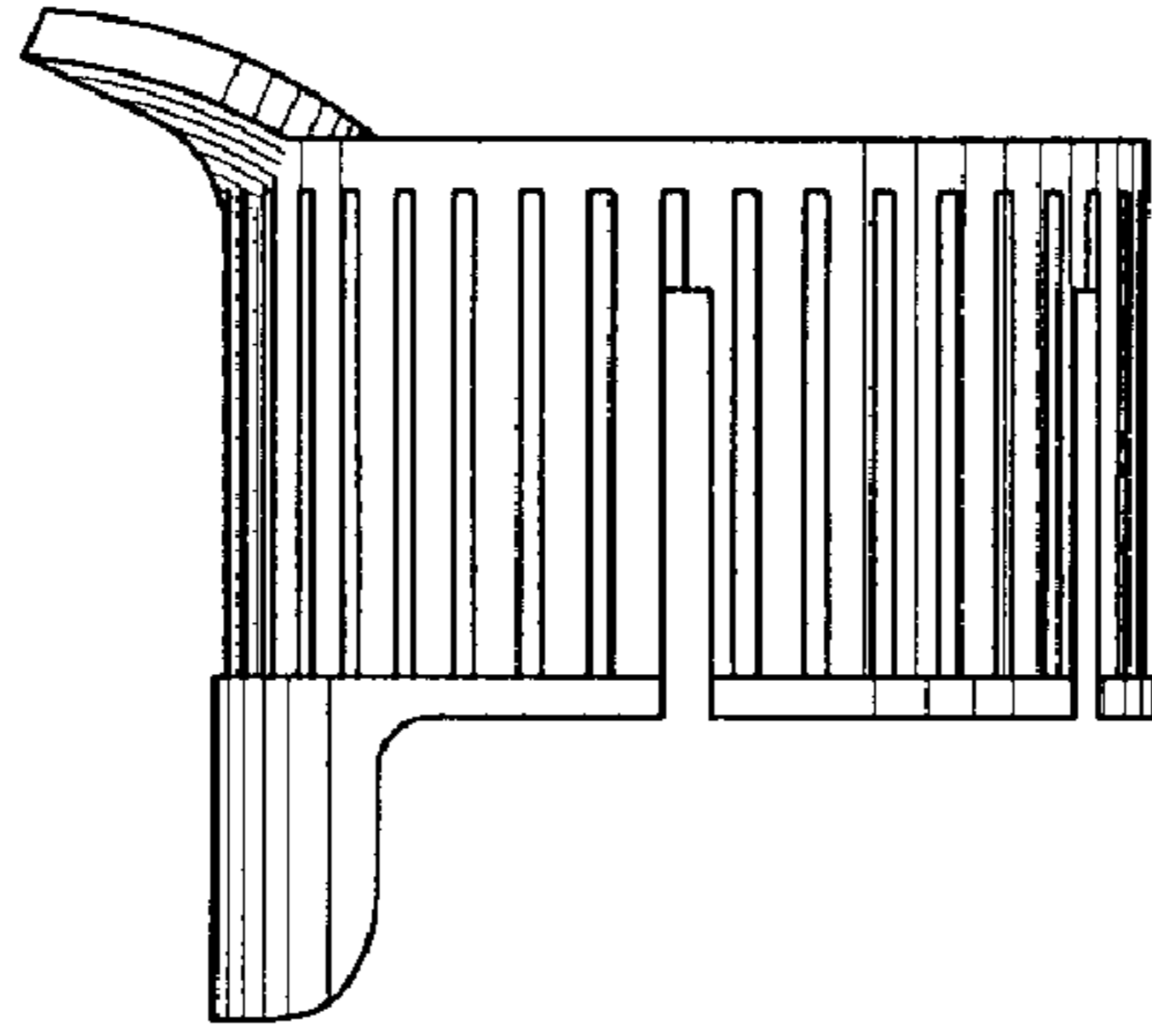


FIG. 4

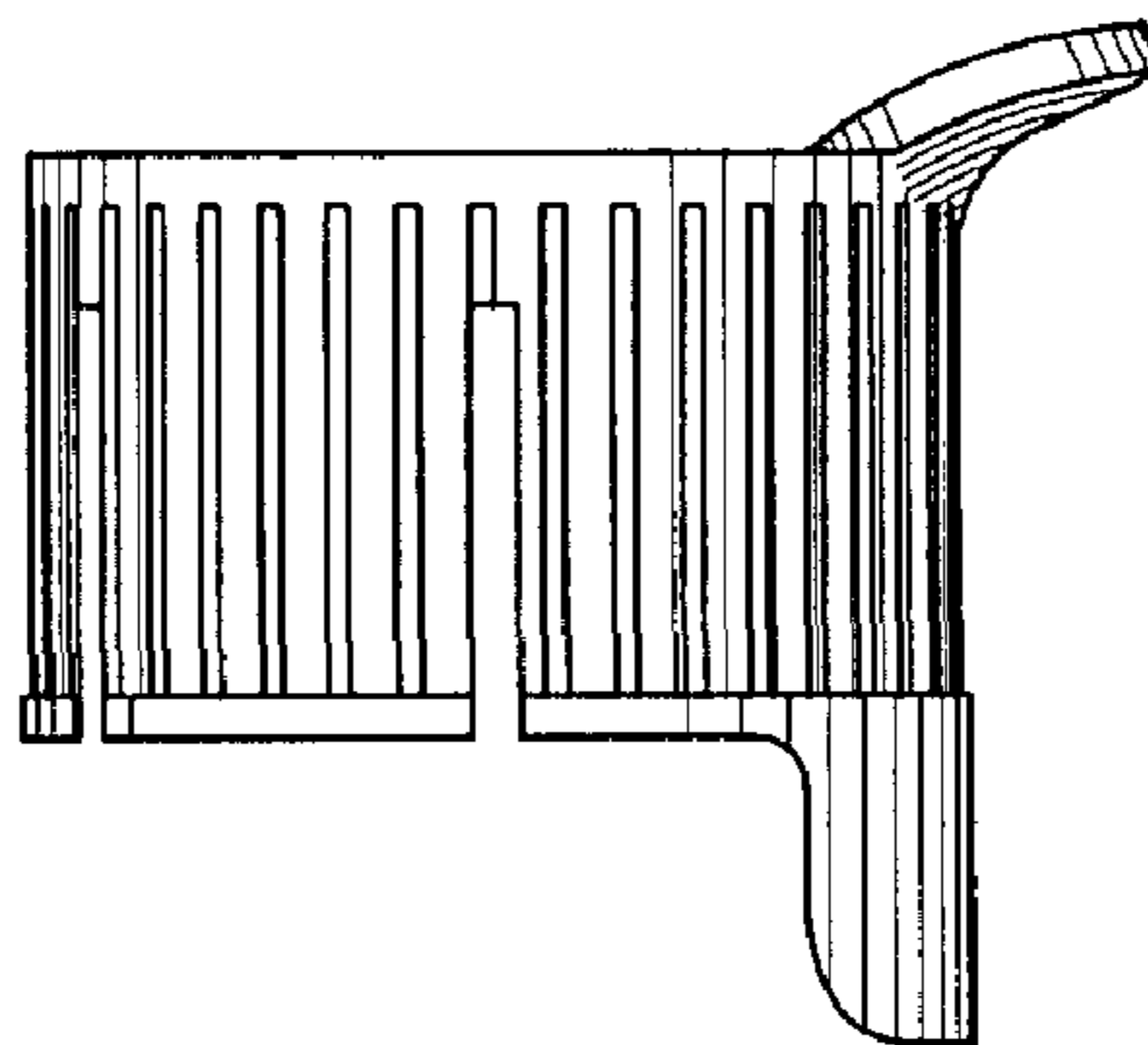


FIG. 5

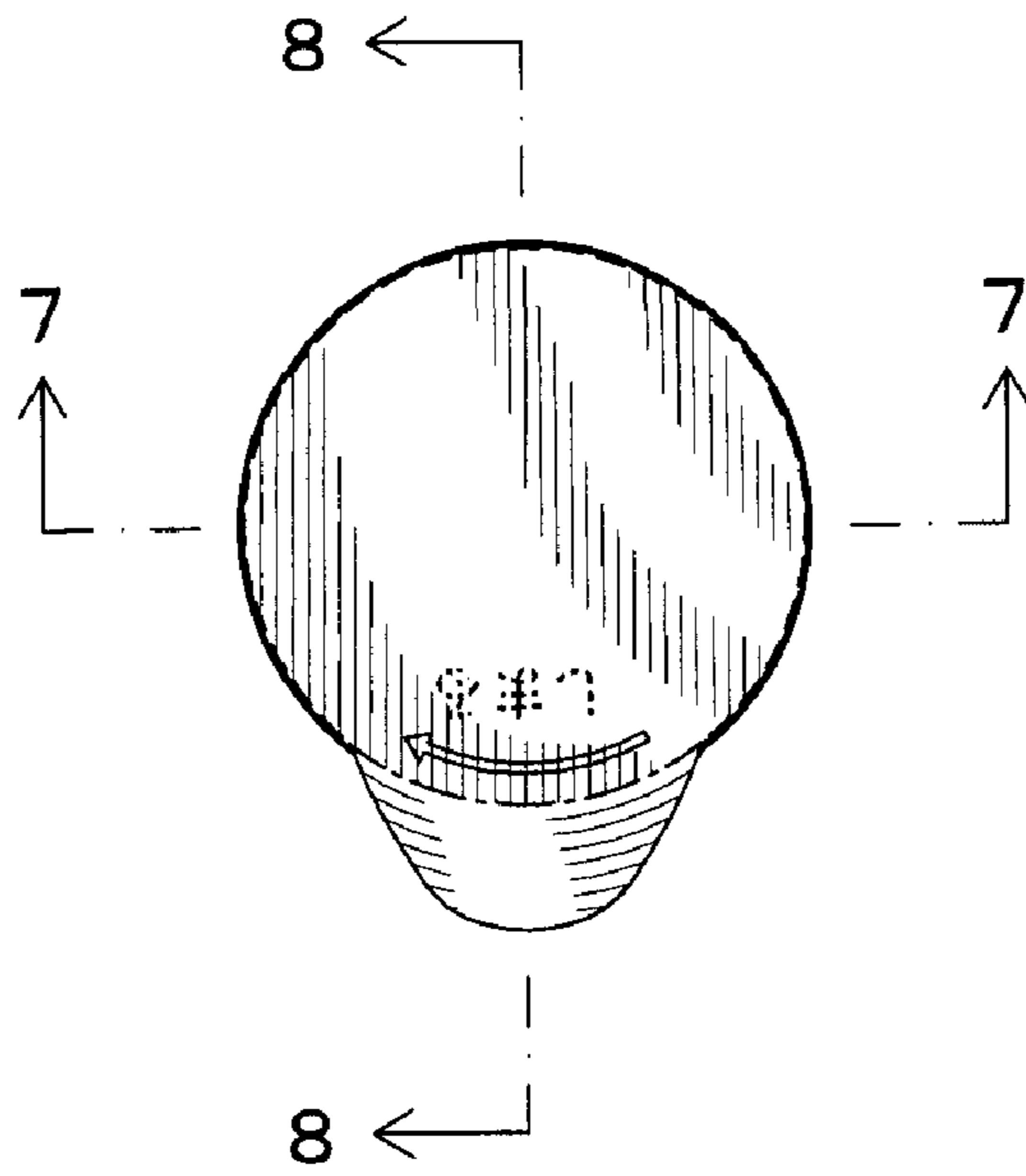


FIG. 6

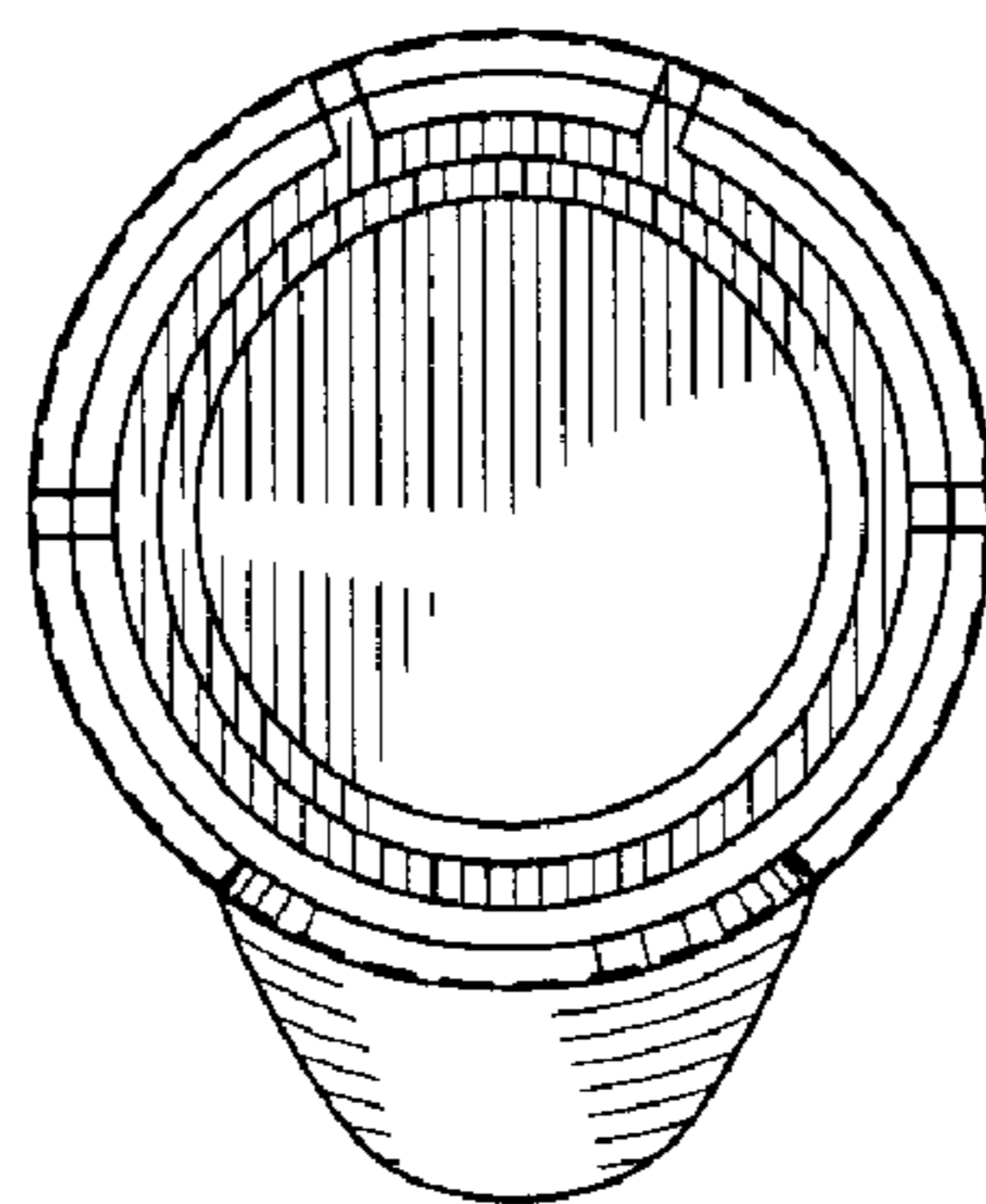


FIG. 7

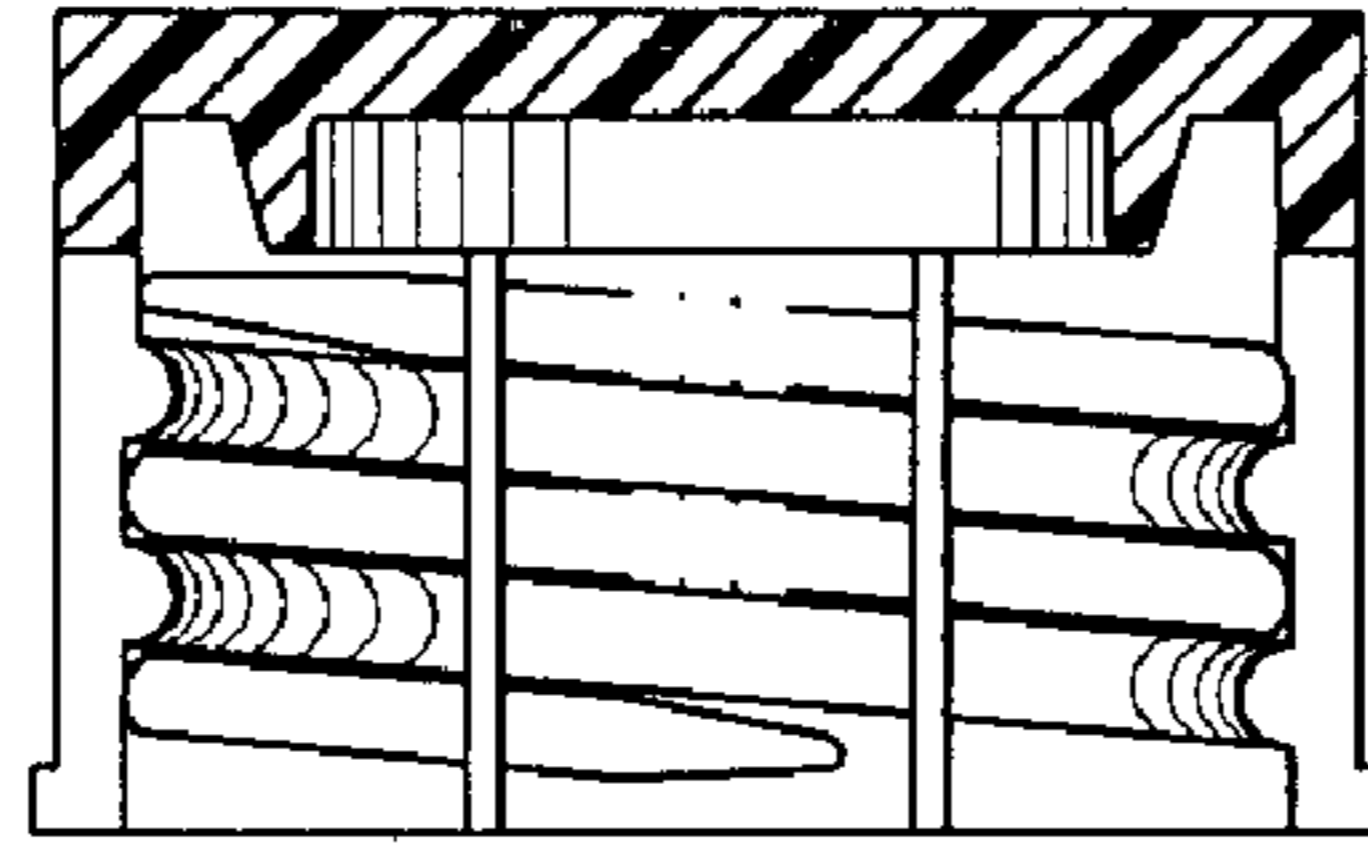


FIG. 8

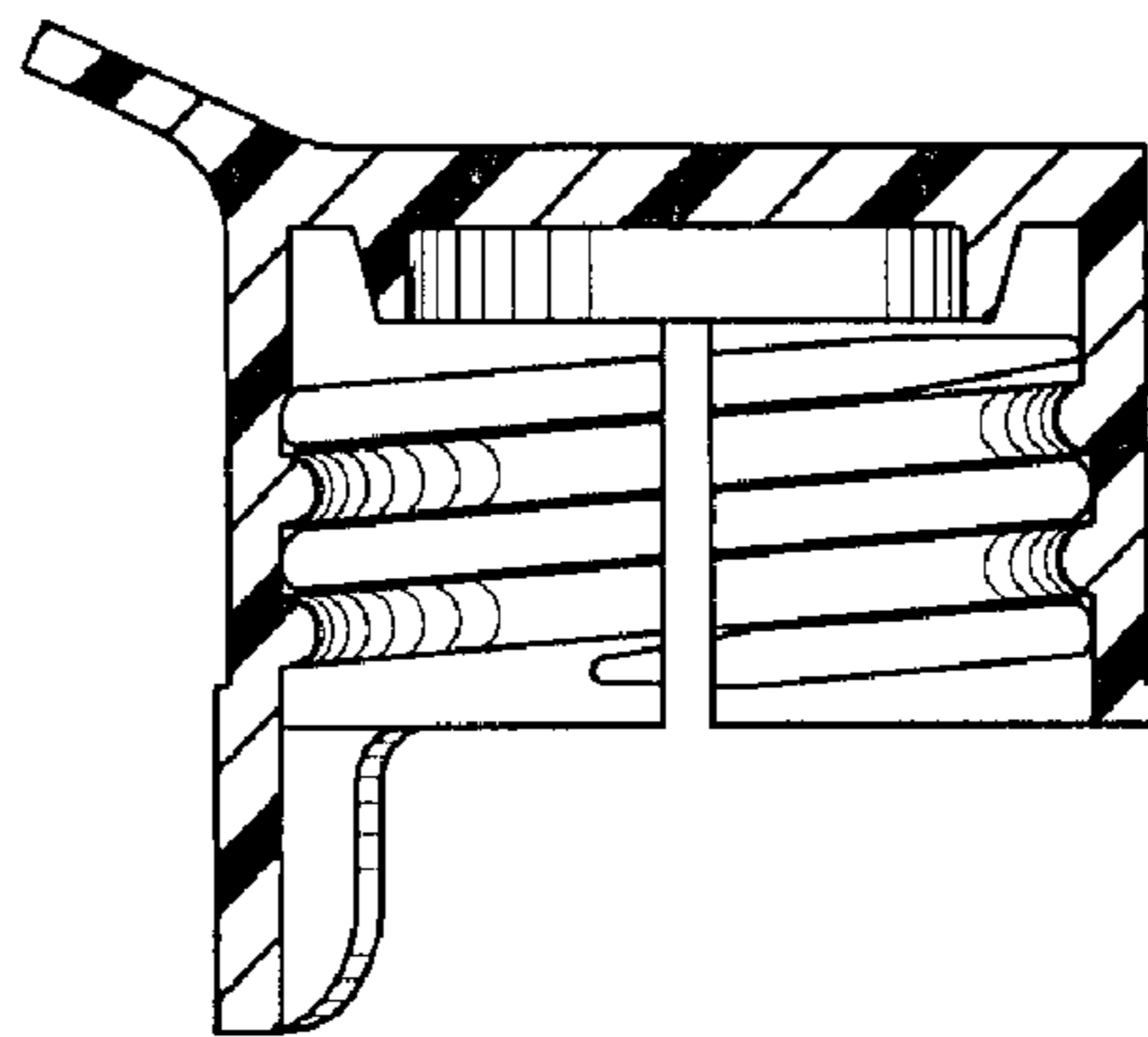


FIG. 9

