



US00D624816S

(12) **United States Design Patent**
Lutzig

(10) **Patent No.:** **US D624,816 S**
(45) **Date of Patent:** **** Oct. 5, 2010**

(54) **PACKAGING CONTAINER**

(75) Inventor: **Bodo-Werner Lutzig**, Chavornay (CH)

(73) Assignee: **Philip Morris USA Inc.**, Richmond, VA (US)

(**) Term: **14 Years**

(21) Appl. No.: **29/325,447**

(22) Filed: **Oct. 1, 2008**

(30) **Foreign Application Priority Data**

Apr. 2, 2008 (EM) 000911169

(51) **LOC (9) Cl.** **09-03**

(52) **U.S. Cl.** **D9/432; D27/187**

(58) **Field of Classification Search** D9/430-433,
D9/414, 418, 420-423; D27/189; 206/278,
206/297, 299, 457, 770, 737, 822; 229/100,
229/101, 101.3, 106, 108, 108.1, 116.1, 116.3,
229/116.5, 121, 122, 201, 213, 221, 222,
229/227, 922, 939, 942, 87.08, 101.2, 193,
229/195, 197

See application file for complete search history.

(56) **References Cited**

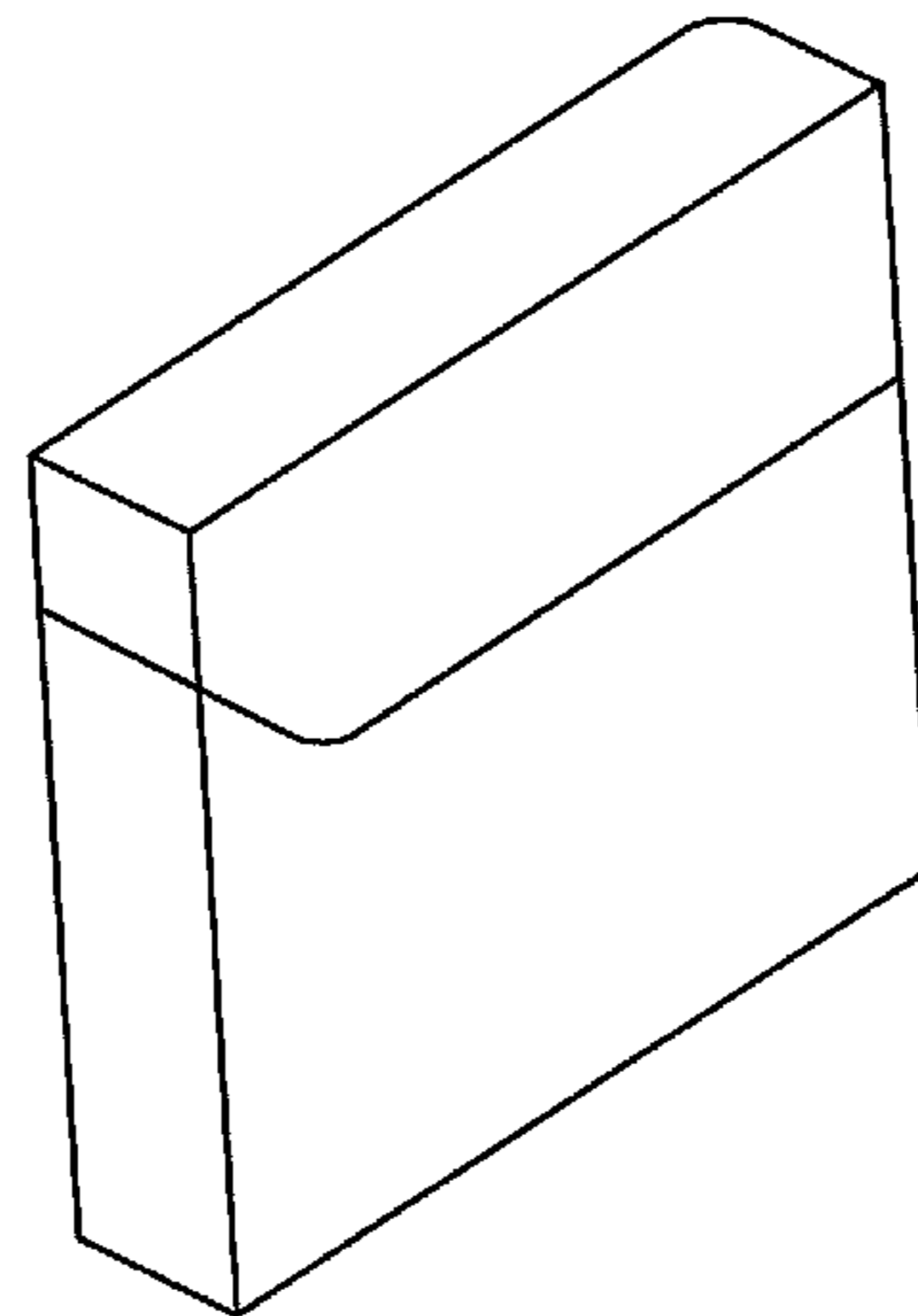
U.S. PATENT DOCUMENTS

1,358,875 A * 11/1920 Reynolds 229/125.09
2,788,827 A * 4/1957 Banner 206/553
3,018,878 A * 1/1962 Watkins 206/246
3,079,064 A * 2/1963 Ringler 229/160.1
4,119,196 A * 10/1978 Flaherty 206/271
D279,507 S * 7/1985 Schechter et al. D27/189
4,534,463 A * 8/1985 Bouchard 206/267
4,753,383 A * 6/1988 Focke et al. 229/160.1
D296,938 S * 7/1988 Ameringen D9/423
4,890,440 A * 1/1990 Romagnoli 53/456
D315,638 S * 3/1991 Pennell D6/635
5,080,227 A * 1/1992 Focke 206/273
5,377,905 A * 1/1995 Sigrist 229/231
5,464,093 A * 11/1995 Hogan 206/265
5,478,011 A * 12/1995 Pham 229/160.1

5,487,468 A * 1/1996 Sheahan 206/242
5,513,752 A * 5/1996 Gottlieb 206/387.1
5,575,385 A * 11/1996 Zona 206/256
5,678,690 A * 10/1997 Belvederi et al. 206/443
D394,386 S * 5/1998 Fischer D9/432
D395,004 S * 6/1998 Shamoon D9/430
5,823,331 A * 10/1998 Manservigi et al. 206/268
5,924,627 A * 7/1999 Wilder et al. 229/182.1
6,015,084 A * 1/2000 Mathieu et al. 229/122.32
D441,497 S * 5/2001 Focke et al. D27/189
6,311,834 B1 * 11/2001 Focke et al. 206/268
6,370,846 B1 * 4/2002 Schoch et al. 53/456
6,612,429 B2 * 9/2003 Dennen 206/268
6,719,131 B1 * 4/2004 Focke et al. 206/268
6,742,651 B1 * 6/2004 Focke et al. 206/268
6,941,728 B1 * 9/2005 Bray et al. 53/449
D519,673 S * 4/2006 Bray et al. D27/189
7,093,711 B2 * 8/2006 Draghetti et al. 206/268
D538,643 S * 3/2007 Babbino et al. D9/430
7,395,924 B2 * 7/2008 Tambo 206/268
7,428,967 B2 * 9/2008 Petrucci et al. 206/242
D578,385 S * 10/2008 Ancona D9/423
D579,149 S * 10/2008 Bertuzzi et al. D27/189
D579,325 S * 10/2008 Bray et al. D9/423
7,455,176 B2 * 11/2008 Focke et al. 206/268
D582,264 S * 12/2008 Snyder D9/423
D583,096 S * 12/2008 Conti et al. D27/189
D591,899 S * 5/2009 Bray et al. D27/189
7,537,113 B2 * 5/2009 Tambo 206/264
2002/0190110 A1 * 12/2002 Polloni et al. 229/110
2003/0106928 A1 * 6/2003 Li Vigni et al. 229/146
2005/0218200 A1 * 10/2005 Focke et al. 229/110
2005/0252796 A1 * 11/2005 Sendo 206/261
2006/0011498 A1 * 1/2006 Giannini et al. 206/268
2006/0054518 A1 * 3/2006 Focke et al. 206/273
2006/0191986 A1 * 8/2006 Focke et al. 229/146
2006/0208050 A1 * 9/2006 Petrucci et al. 229/146
2008/0029411 A1 * 2/2008 Polloni et al. 206/268
2008/0190791 A1 * 8/2008 Ghini et al. 206/268
2008/0283427 A1 * 11/2008 Polloni et al. 206/268
2009/0078599 A1 * 3/2009 Tanbo 206/259

FOREIGN PATENT DOCUMENTS

EP 1712470 A1 * 10/2006
FI 19870878 * 6/1988
FI 19880168 * 3/1989
FI 19900833 * 9/1991
FI 19900834 * 9/1991



FI 19900835 * 9/1991
 GB 2435030 A * 8/2007
 JP 2008207879 A * 9/2008
 WO WO 3078274 A1 * 9/2003
 WO WO 2004024595 A1 * 3/2004
 WO DM-066020 * 8/2004
 WO WO 2005014436 A1 * 2/2005
 WO WO 2007060395 A1 * 5/2007

* cited by examiner

Primary Examiner—Robert M Spear

Assistant Examiner—Karen Acker

(74) *Attorney, Agent, or Firm*—Buchanan Ingersoll & Rooney PC

(57) **CLAIM**

The ornamental design for a packaging container, as shown and described,

DESCRIPTION

FIG. 1 is a front perspective view of a packaging container according to a first embodiment of my new design.

FIG. 2 is a bottom plan view thereof.

FIG. 3 is a right side elevational view thereof.

FIG. 4 is a front elevational thereof.

FIG. 5 is a top plan view thereof.

FIG. 6 is a left side elevational view thereof.

FIG. 7 is a rear elevational view thereof.

FIG. 8 is a front perspective view of a packaging container according to a second embodiment of my new design.

FIG. 9 is bottom plan view thereof.

FIG. 10 is a right side elevational view thereof.

FIG. 11 is a front elevational view thereof.

FIG. 12 is a top plan view thereof.

FIG. 13 is a left side elevational view thereof..

FIG. 14 is a rear elevational view thereof.

FIG. 15 is a front perspective view of a packaging container according to a third embodiment of my new design.

FIG. 16 is a bottom plan view thereof.

FIG. 17 is a right side elevational view thereof.

FIG. 18 is a front elevational thereof.

FIG. 19 is a top plan view thereof.

FIG. 20 is a left side elevational view thereof.

FIG. 21 is a rear elevational view thereof.

FIG. 22 is a front perspective view of a packaging container according to a fourth embodiment of my new design.

FIG. 23 is a bottom plan view thereof.

FIG. 24 is a right side elevational view thereof.

FIG. 25 is a front elevational thereof.

FIG. 26 is a top plan view thereof.

FIG. 27 is a left side elevational view thereof.

FIG. 28 is a rear elevational view thereof.

FIG. 29 is a front perspective view of a packaging container according to a fifth embodiment of my new design.

FIG. 30 is a bottom plan view thereof.

FIG. 31 is a right side elevational view thereof.

FIG. 32 is a front elevational thereof.

FIG. 33 is a top plan view thereof.

FIG. 34 is a left side elevational view thereof.

FIG. 35 is a rear elevational view thereof.

FIG. 36 is a front perspective view of a packaging container according to a sixth embodiment of my new design.

FIG. 37 is a bottom plan view thereof.

FIG. 38 is a right side elevational view thereof.

FIG. 39 is a front elevational thereof.

FIG. 40 is a top plan view thereof.

FIG. 41 is a left side elevational view thereof.

FIG. 42 is a rear elevational view thereof.

FIG. 43 is a front perspective view of a packaging container according to a seventh embodiment of my new design.

FIG. 44 is a bottom plan view thereof.

FIG. 45 is a right side elevational view thereof.

FIG. 46 is a front elevational thereof.

FIG. 47 is a top plan view thereof.

FIG. 48 is a left side elevational view thereof.

FIG. 49 is a rear elevational view thereof.

FIG. 50 is a front perspective view of a packaging container according to an eighth embodiment of my new design.

FIG. 51 is a bottom plan view thereof.

FIG. 52 is a right side elevational view thereof.

FIG. 53 is a front elevational thereof.

FIG. 54 is a top plan view thereof.

FIG. 55 is a left side elevational view thereof.

FIG. 56 is a rear elevational view thereof.

FIG. 57 is a front perspective view of a packaging container according to a ninth embodiment of my new design.

FIG. 58 is a bottom plan view thereof.

FIG. 59 is a right side elevational view thereof.

FIG. 60 is a front elevational thereof.

FIG. 61 is a top plan view thereof.

FIG. 62 is a left side elevational view thereof.

FIG. 63 is a rear elevational view thereof.

FIG. 64 is a front perspective view of a packaging container according to a tenth embodiment of my new design.

FIG. 65 is a bottom plan view thereof.

FIG. 66 is a right side elevational view thereof.

FIG. 67 is a front elevational thereof.

FIG. 68 is a top plan view thereof.

FIG. 69 is a left side elevational view thereof.

FIG. 70 is a rear elevational view thereof.

FIG. 71 is a front perspective view of a packaging container according to an eleventh embodiment of my new design.

FIG. 72 is a bottom plan view thereof.

FIG. 73 is a right side elevational view thereof.

FIG. 74 is a front elevational thereof.

FIG. 75 is a top plan view thereof.

FIG. 76 is a left side elevational view thereof.

FIG. 77 is a rear elevational view thereof.

FIG. 78 is a front perspective view of a packaging container according to a twelfth embodiment of my new design.

FIG. **79** is a bottom plan view thereof.

FIG. **80** is a right side elevational view thereof.

FIG. **81** is a front elevational thereof.

FIG. **82** is a top plan view thereof.

FIG. **83** is a left side elevational view thereof.

FIG. **84** is a rear elevational view thereof.

FIG. **85** is a front perspective view of a packaging container according to a thirteenth embodiment of my new design.

FIG. **86** is a bottom plan view thereof.

FIG. **87** is a right side elevational view thereof.

FIG. **88** is a front elevational thereof.

FIG. **89** is a top plan view thereof.

FIG. **90** is a left side elevational view thereof; and,

FIG. **91** is a rear elevational view thereof.

1 Claim, 26 Drawing Sheets

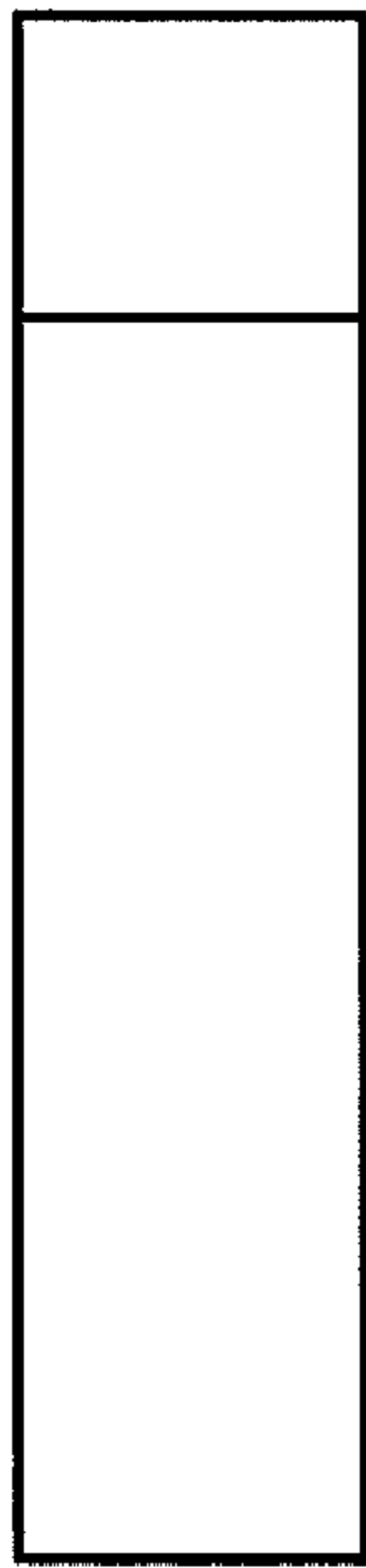


FIG. 6

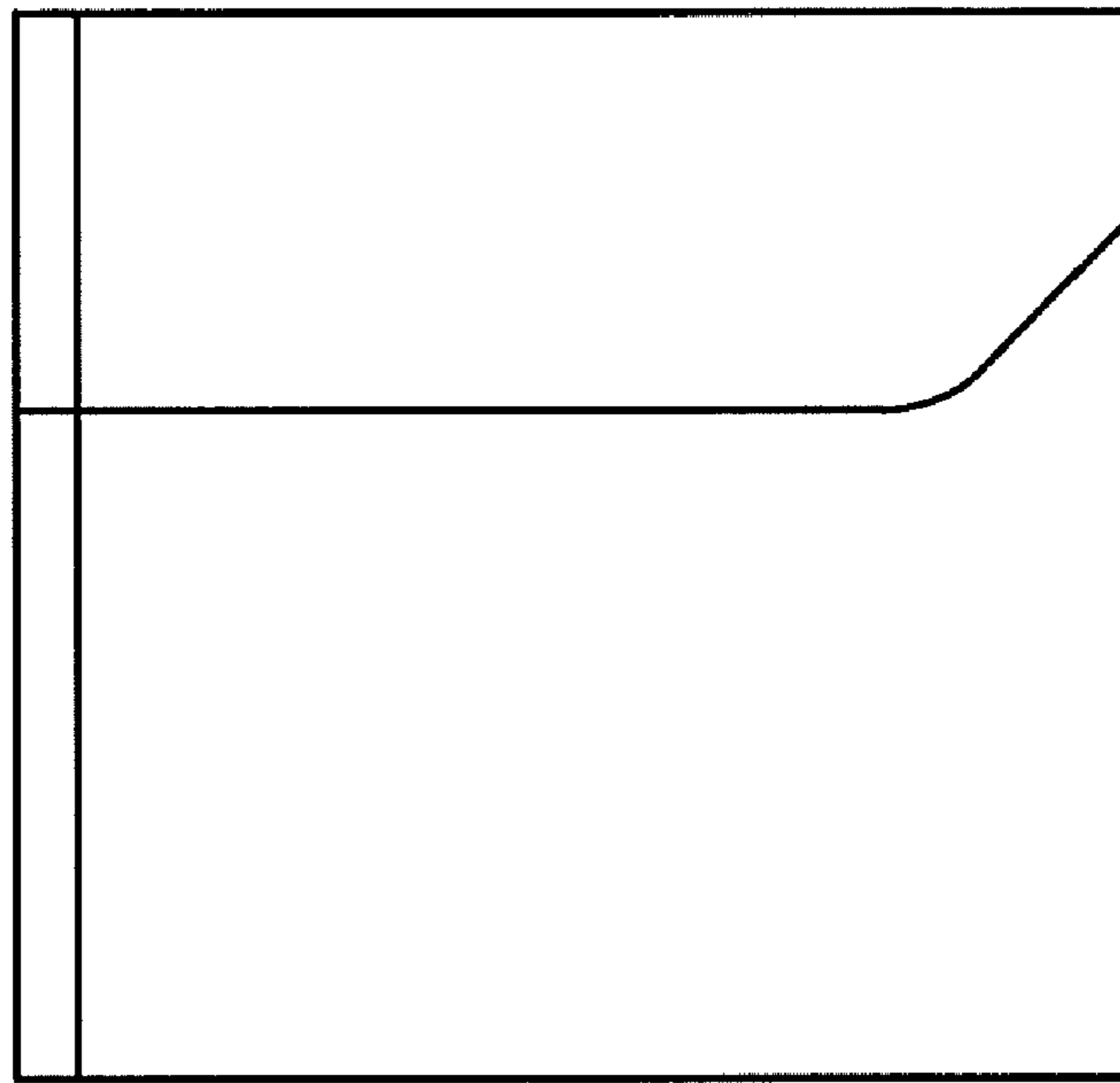


FIG. 7

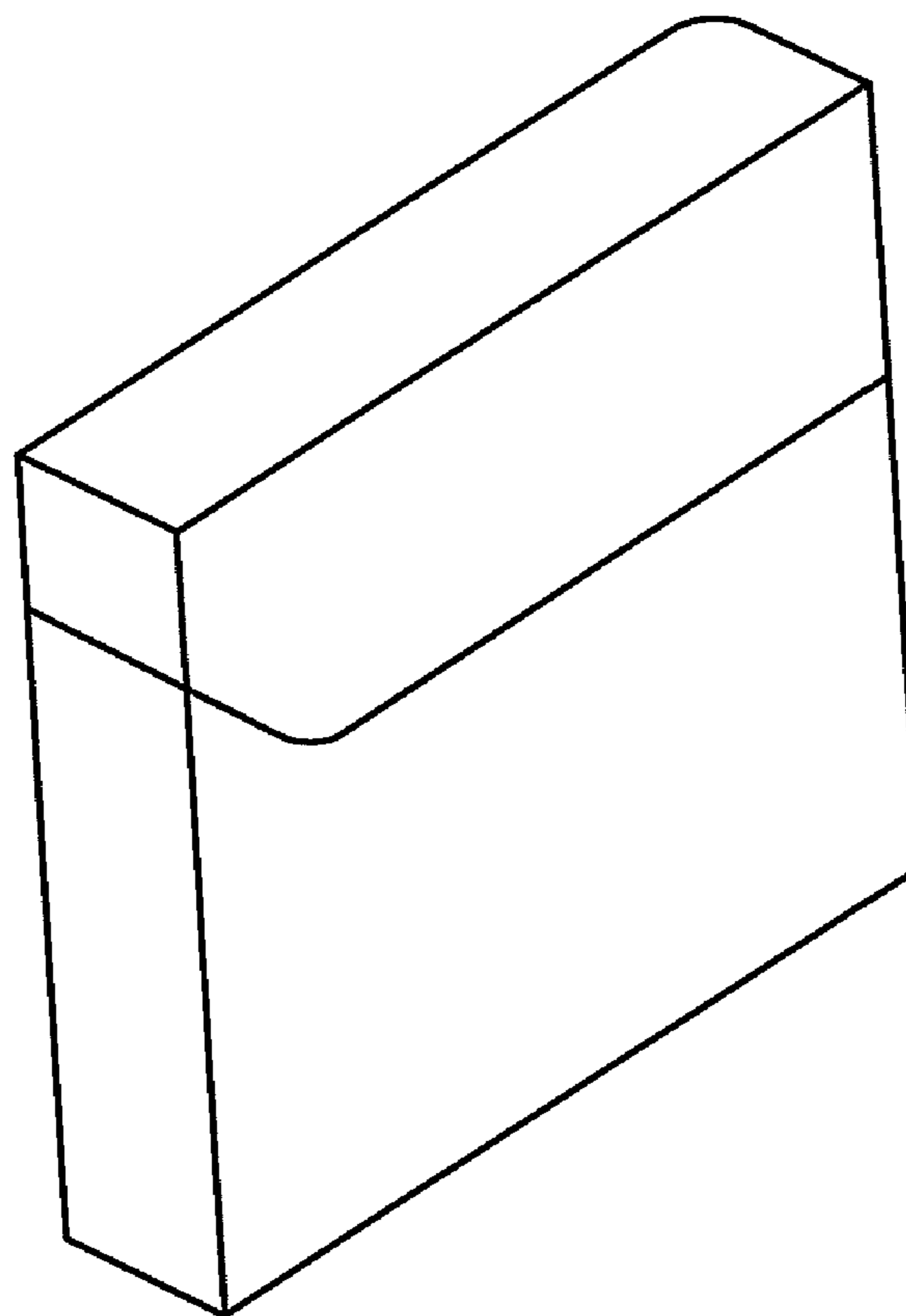


FIG. 1



FIG. 2



FIG. 3

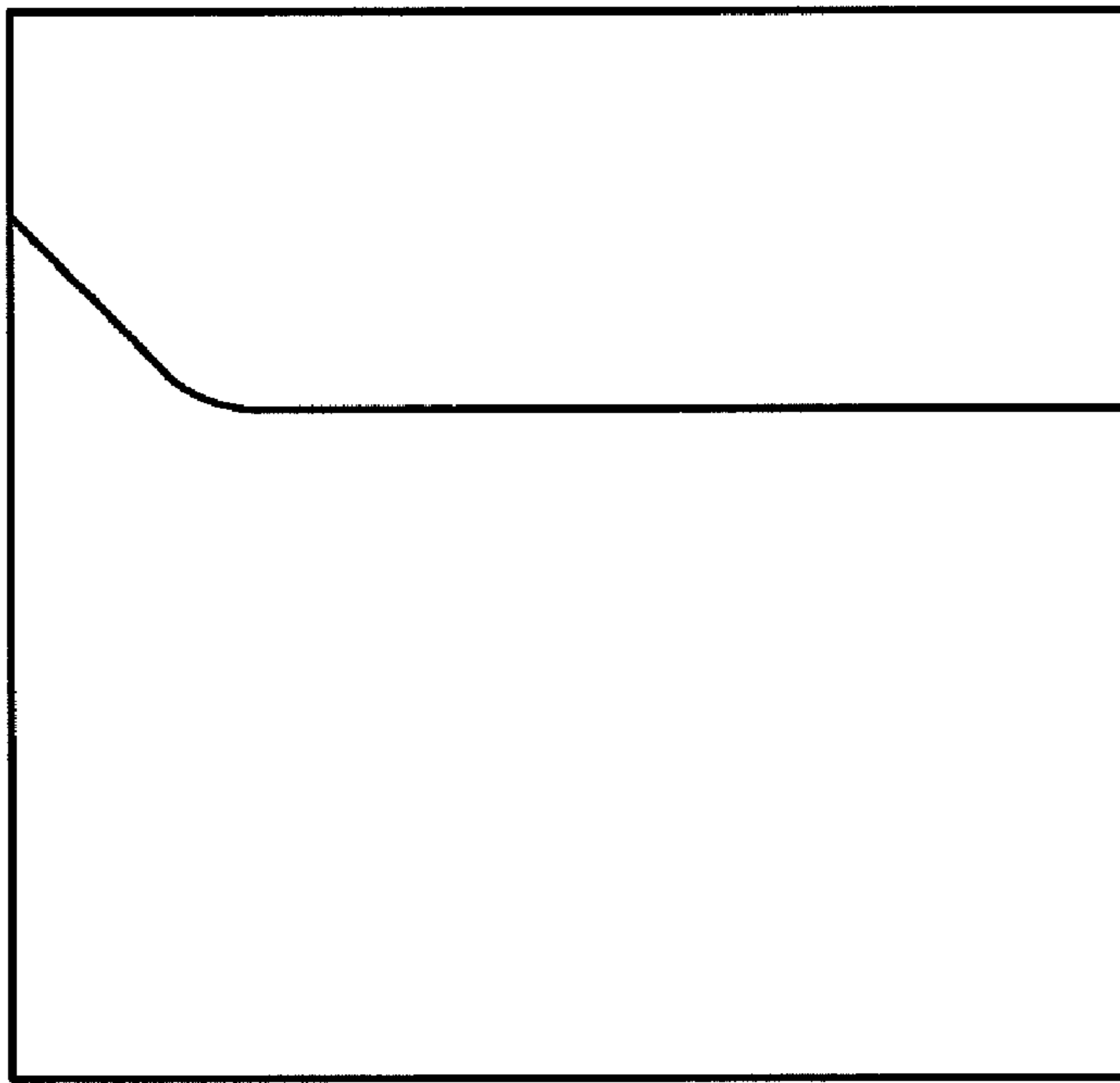


FIG. 4



FIG. 5

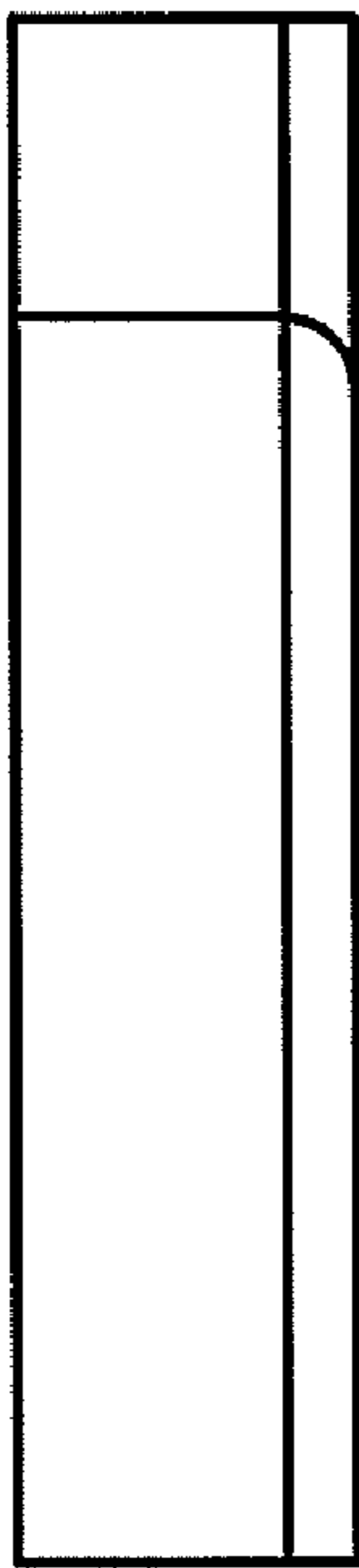


FIG. 13

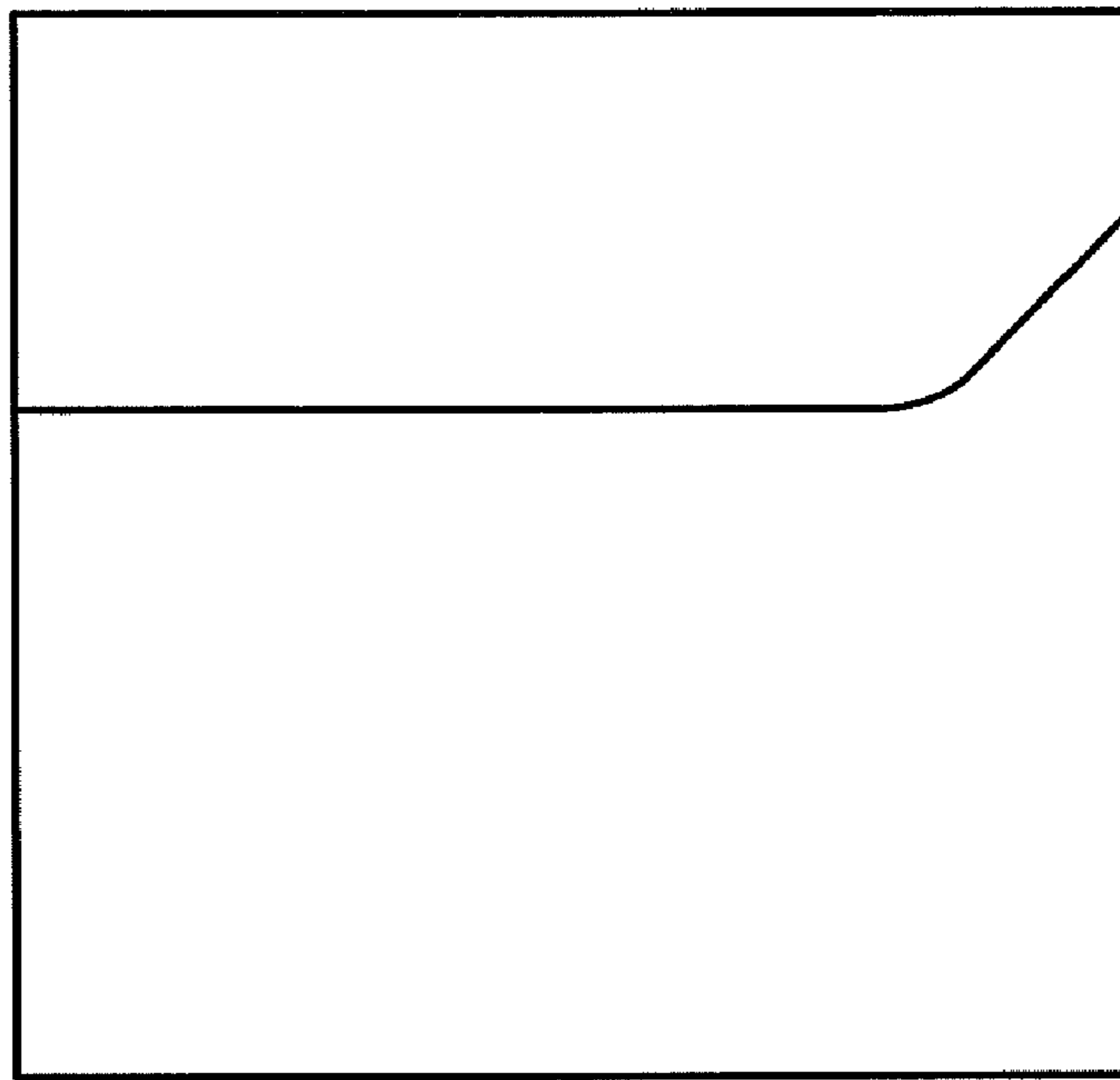


FIG. 14

FIG. 8

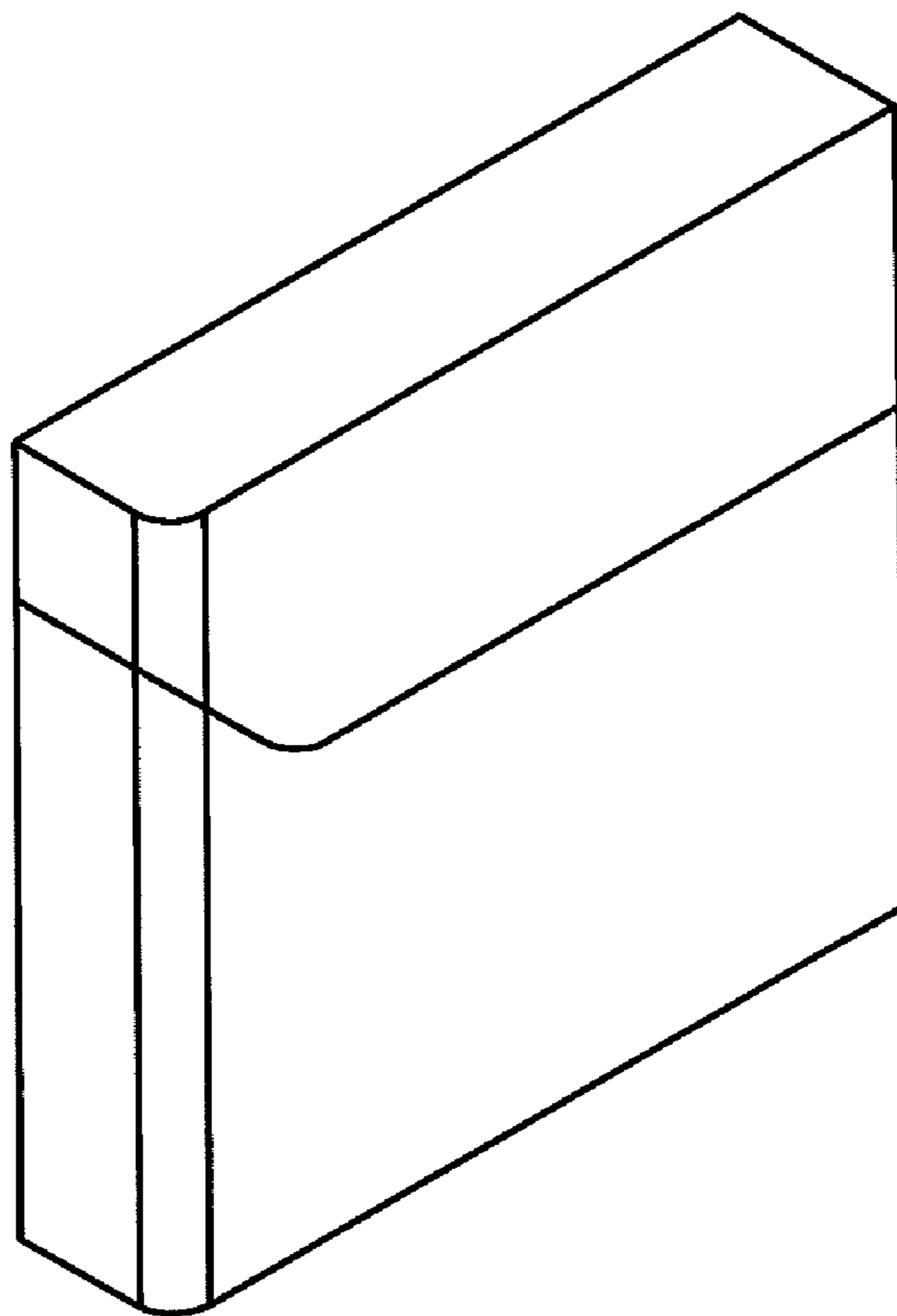




FIG. 9

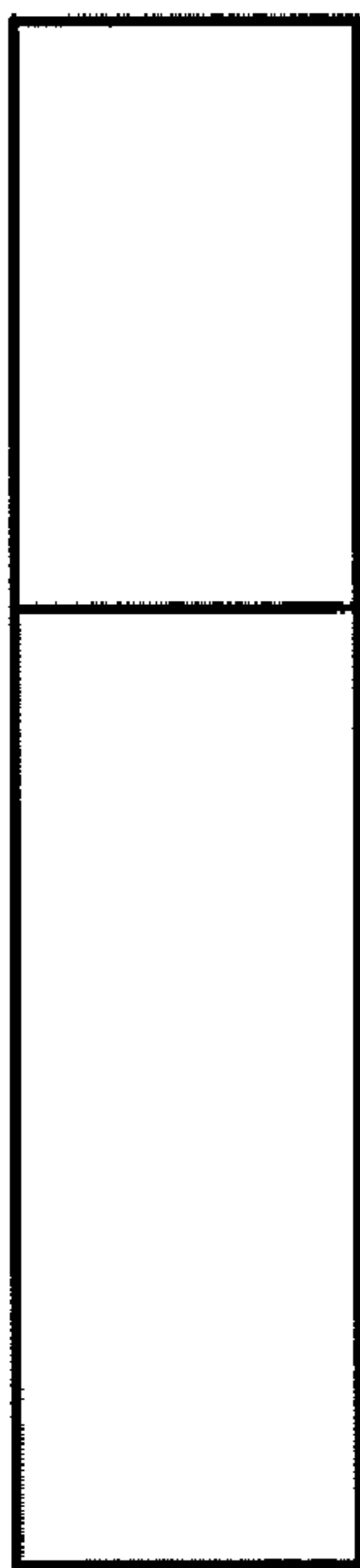


FIG. 10

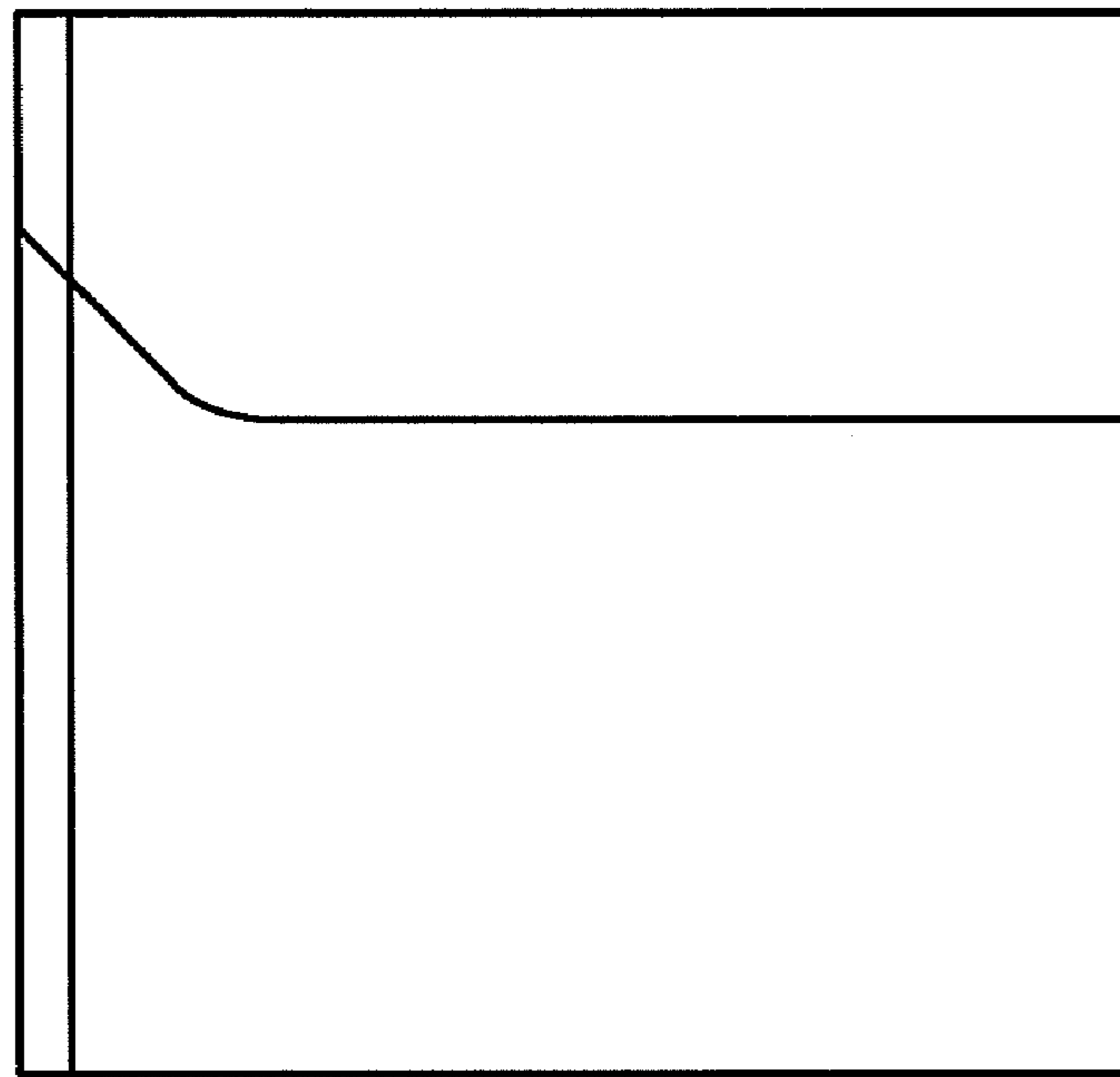


FIG. 11



FIG. 12

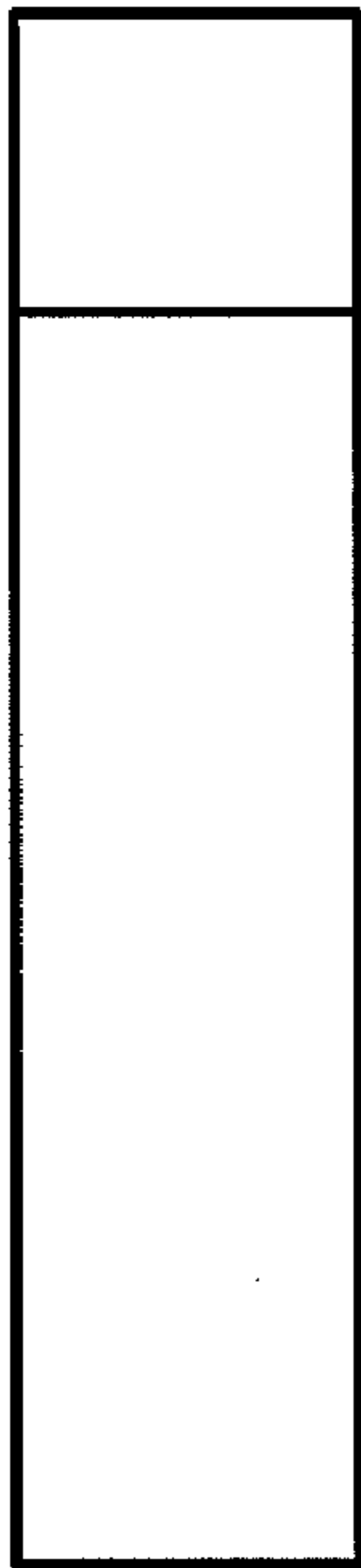


FIG. 20

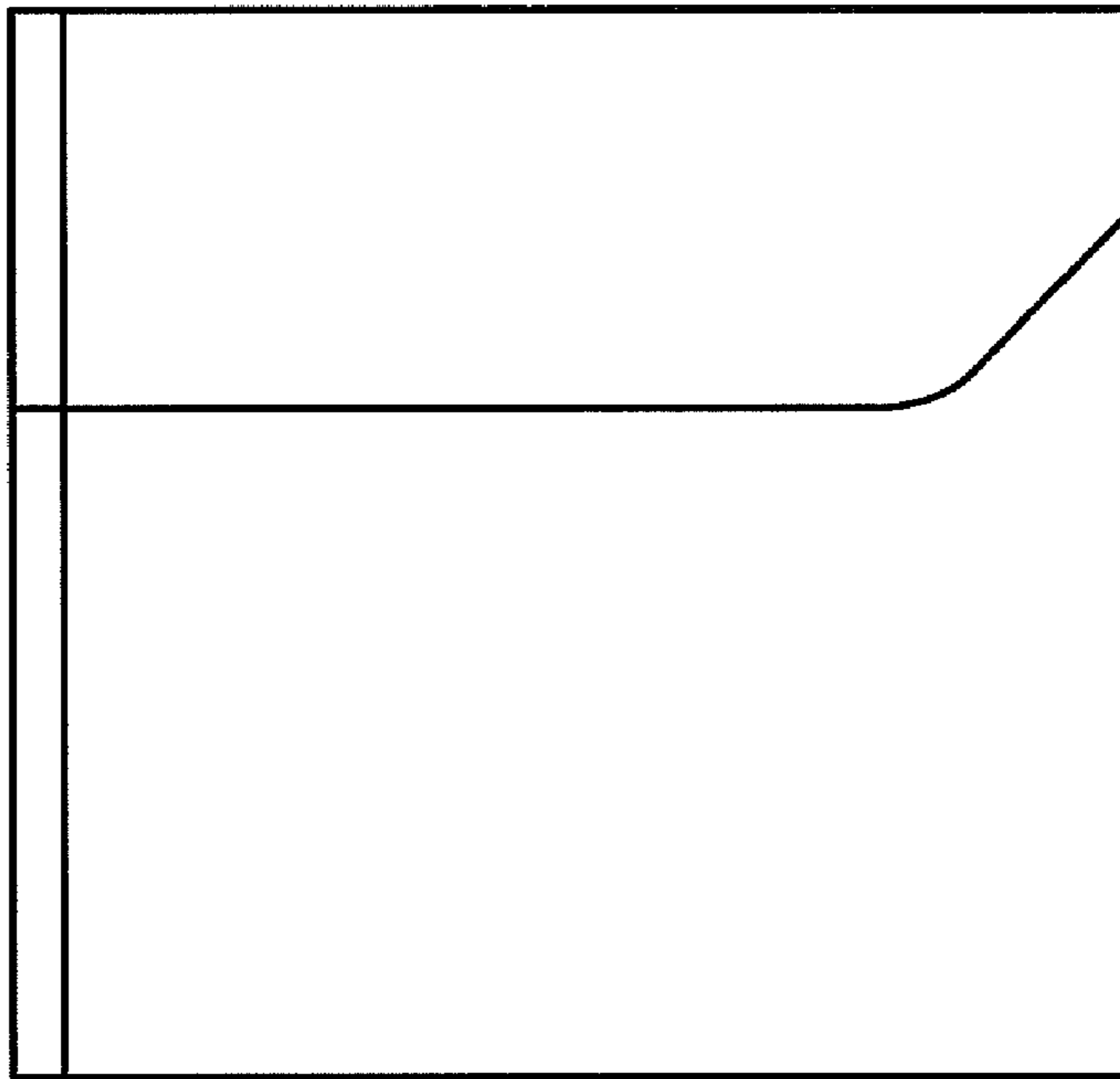


FIG. 21

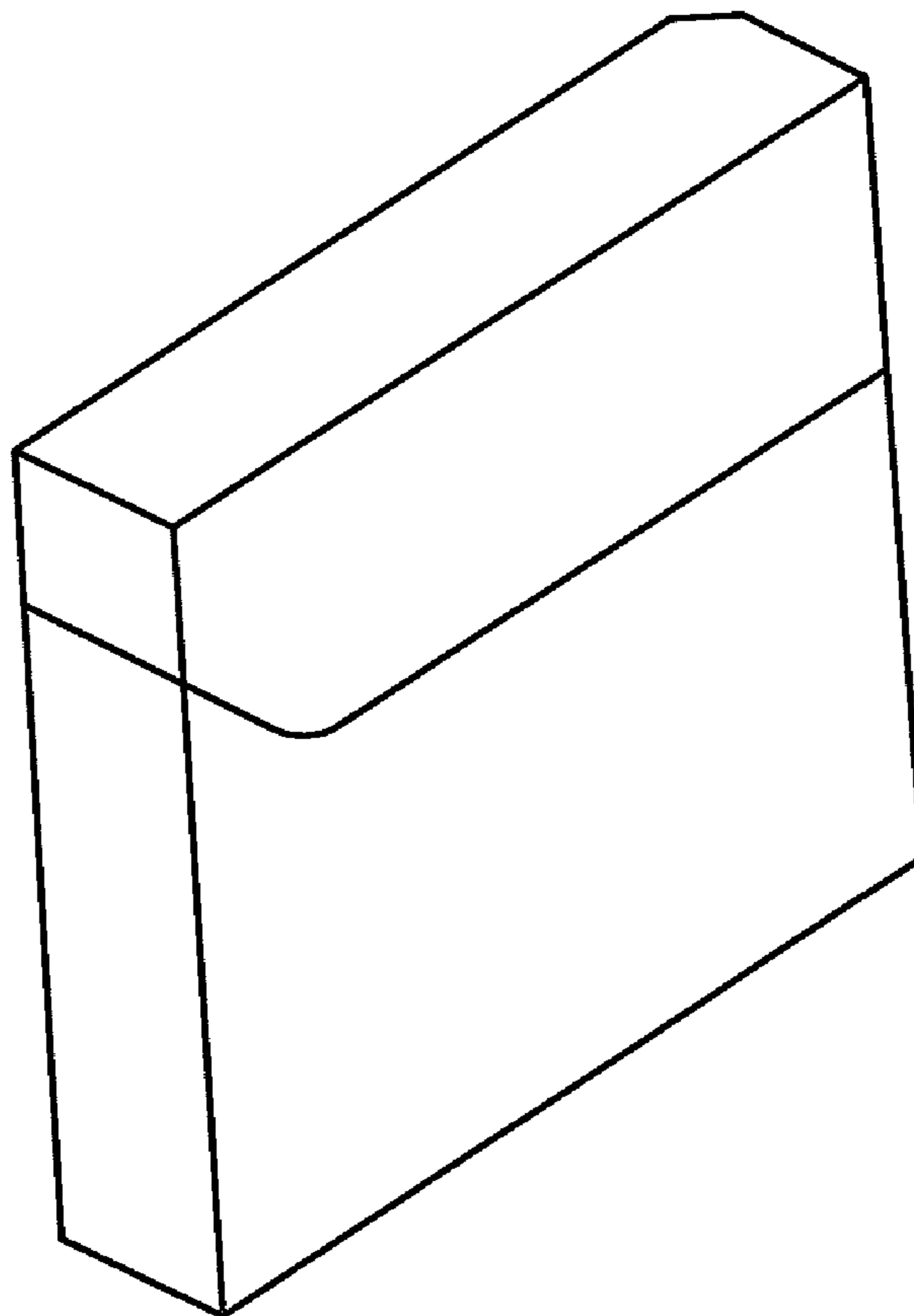


FIG. 15



FIG. 16

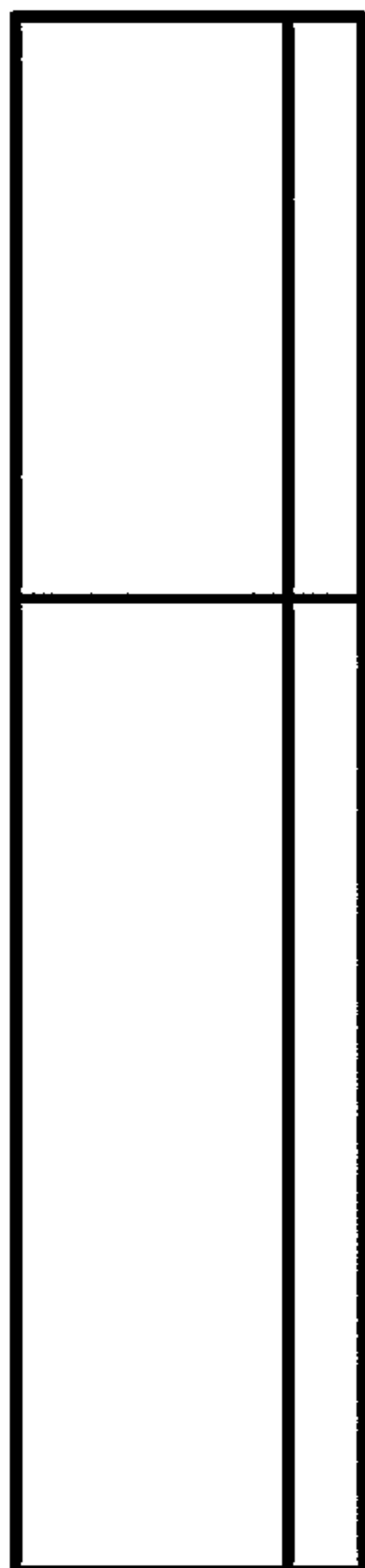


FIG. 17

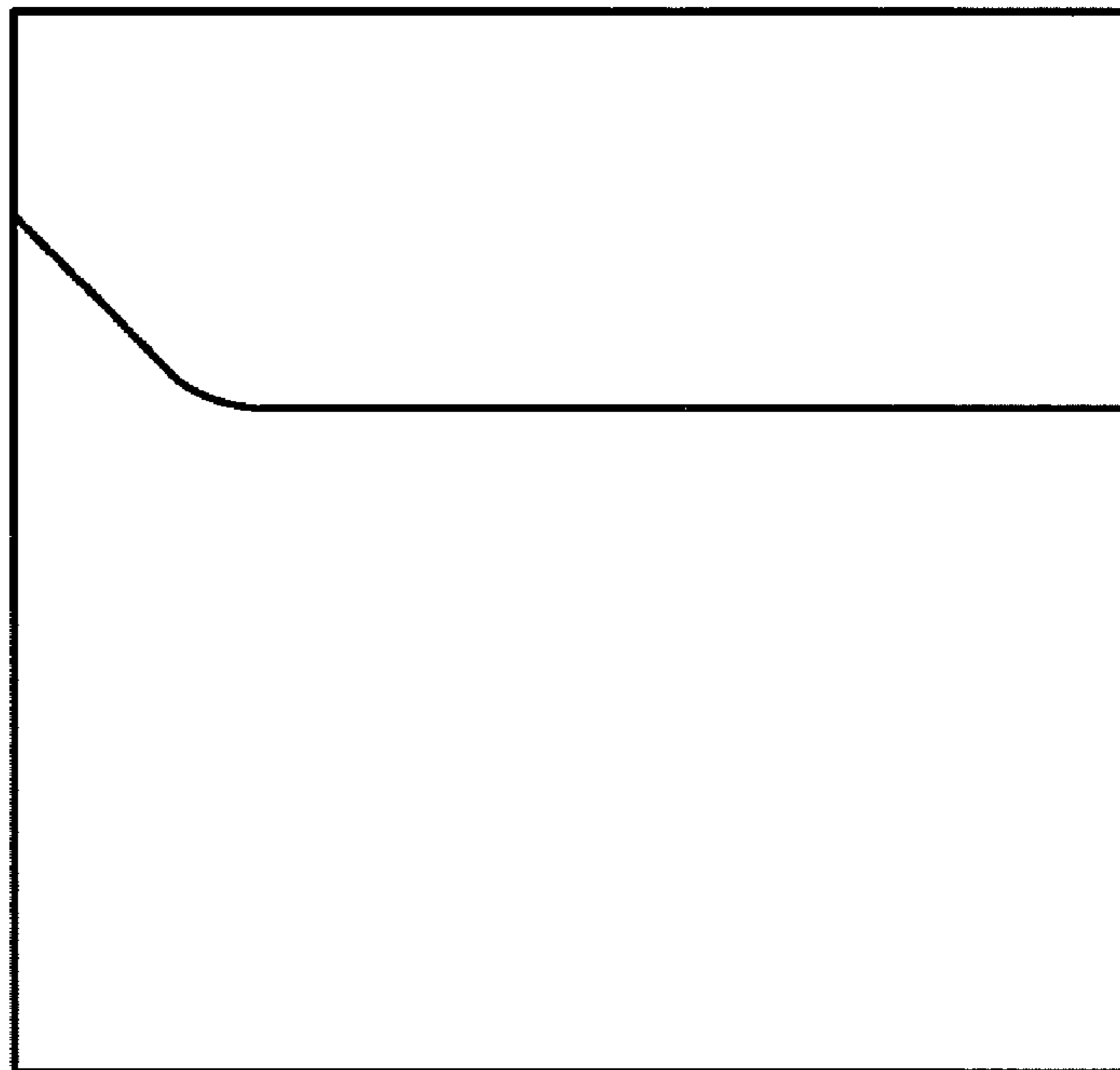


FIG. 18



FIG. 19

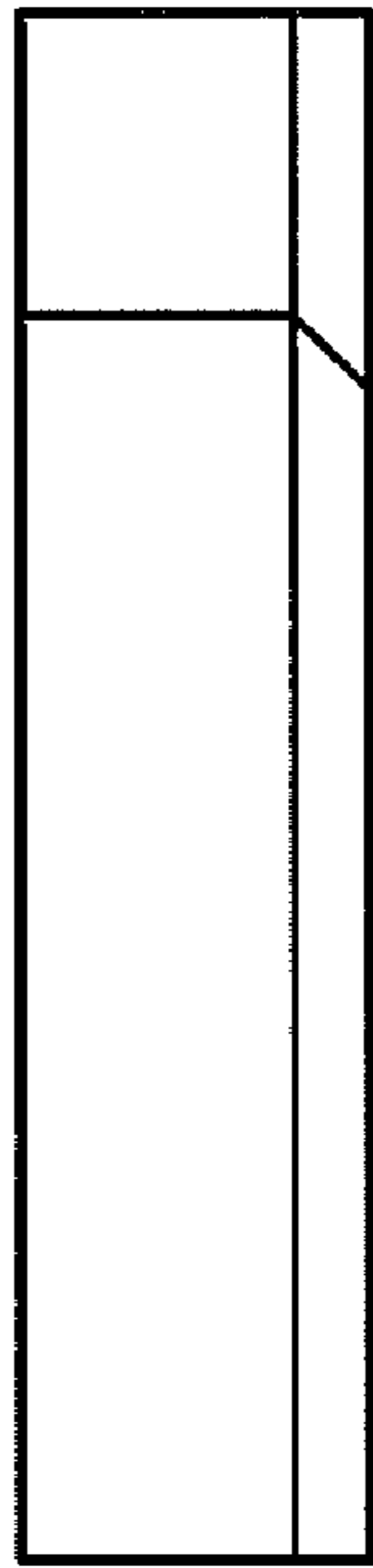


FIG. 27

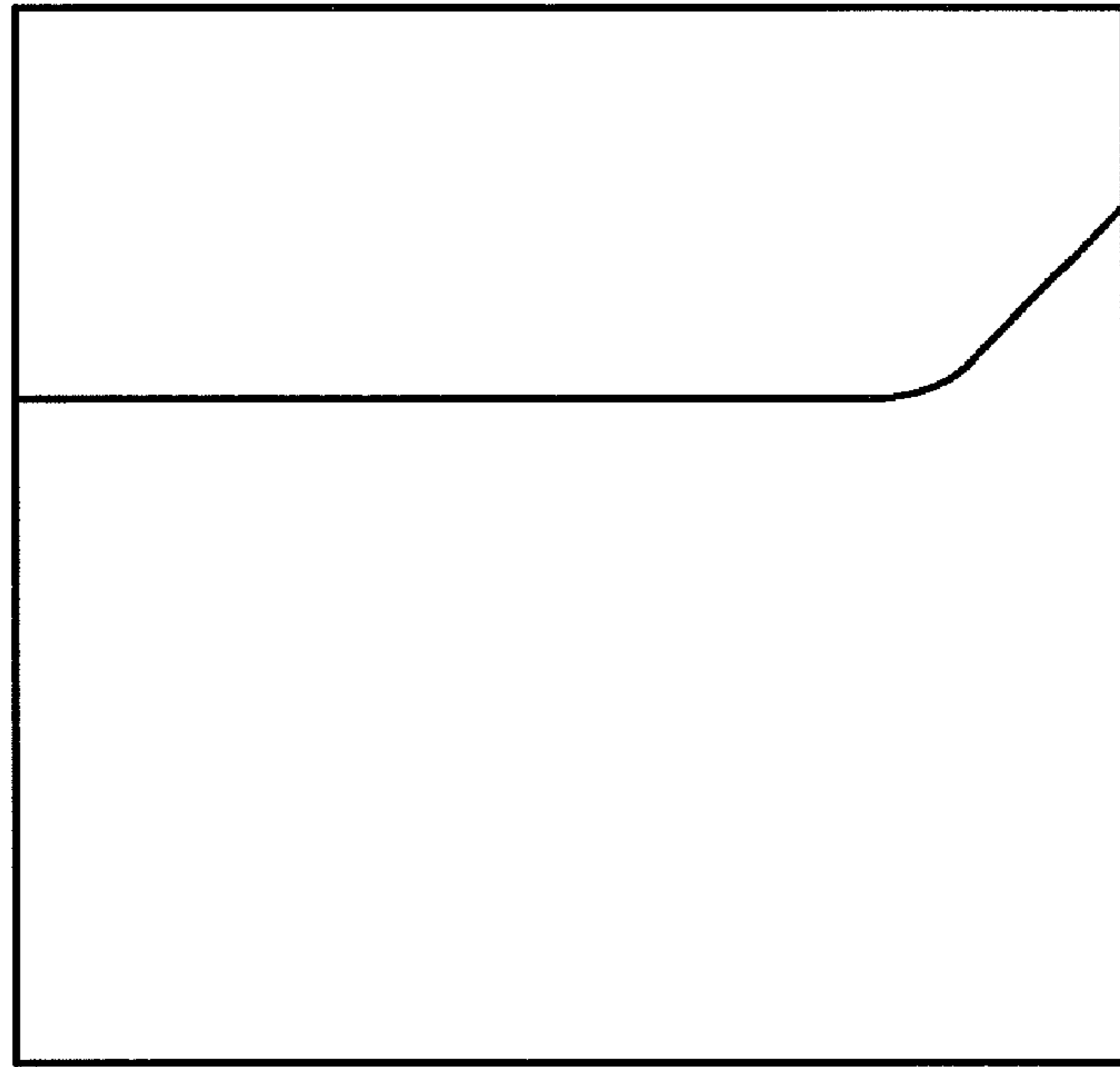


FIG. 28

FIG. 22

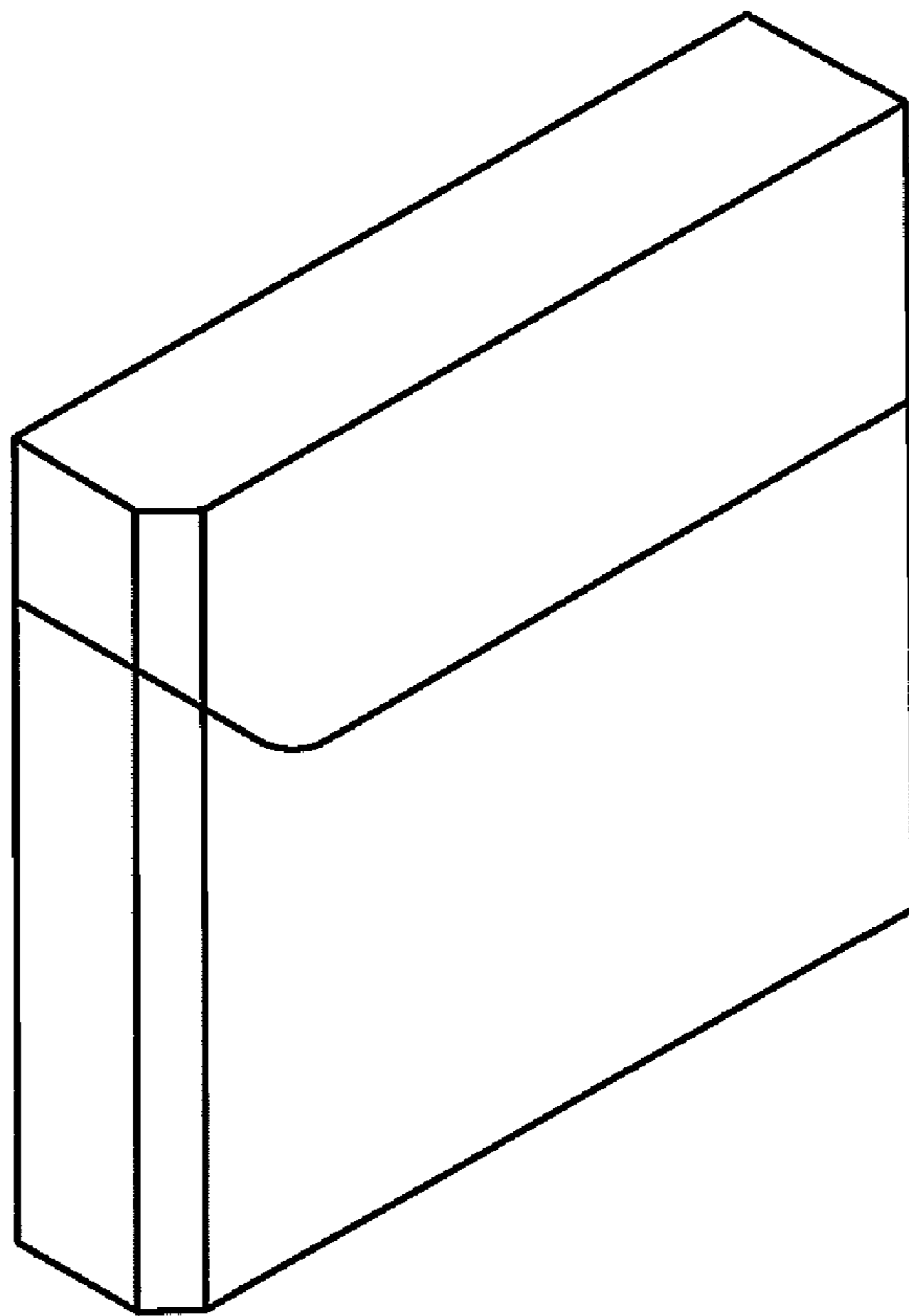




FIG. 23

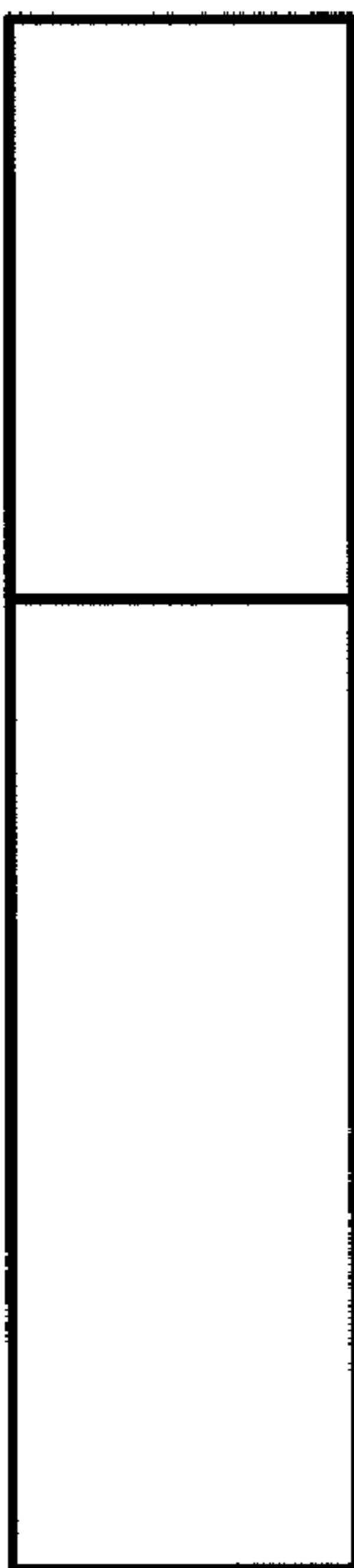


FIG. 24

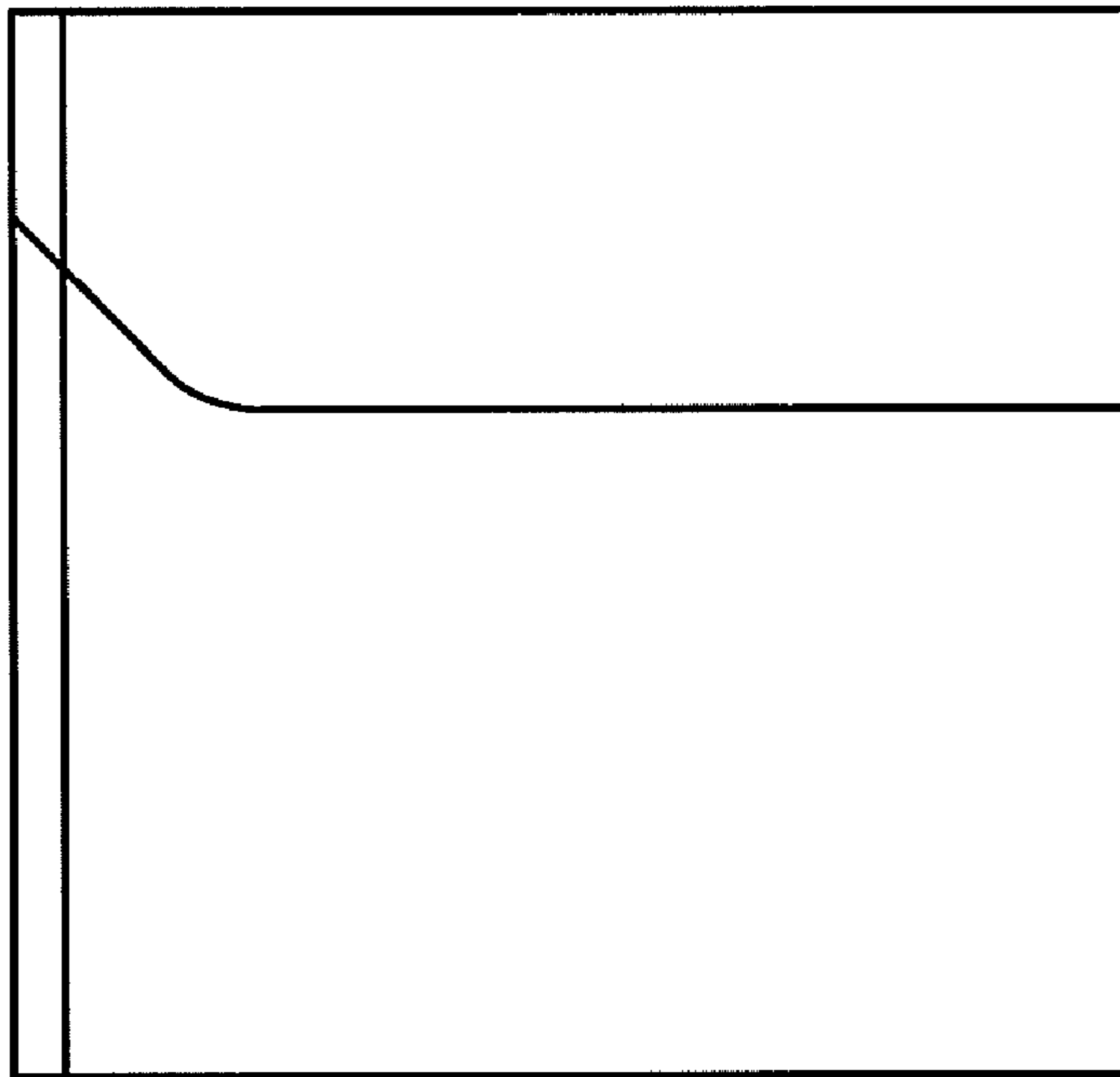


FIG. 25



FIG. 26

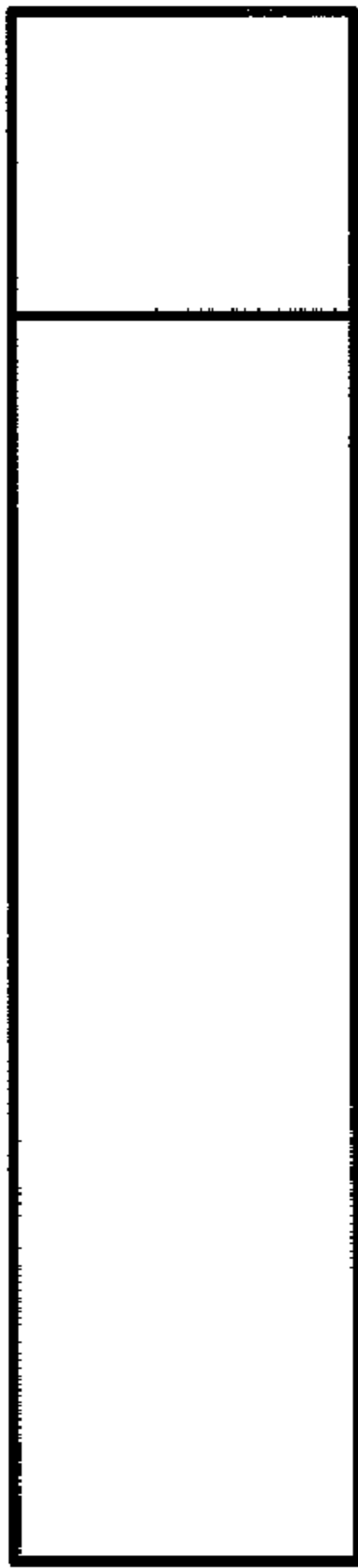


FIG. 34

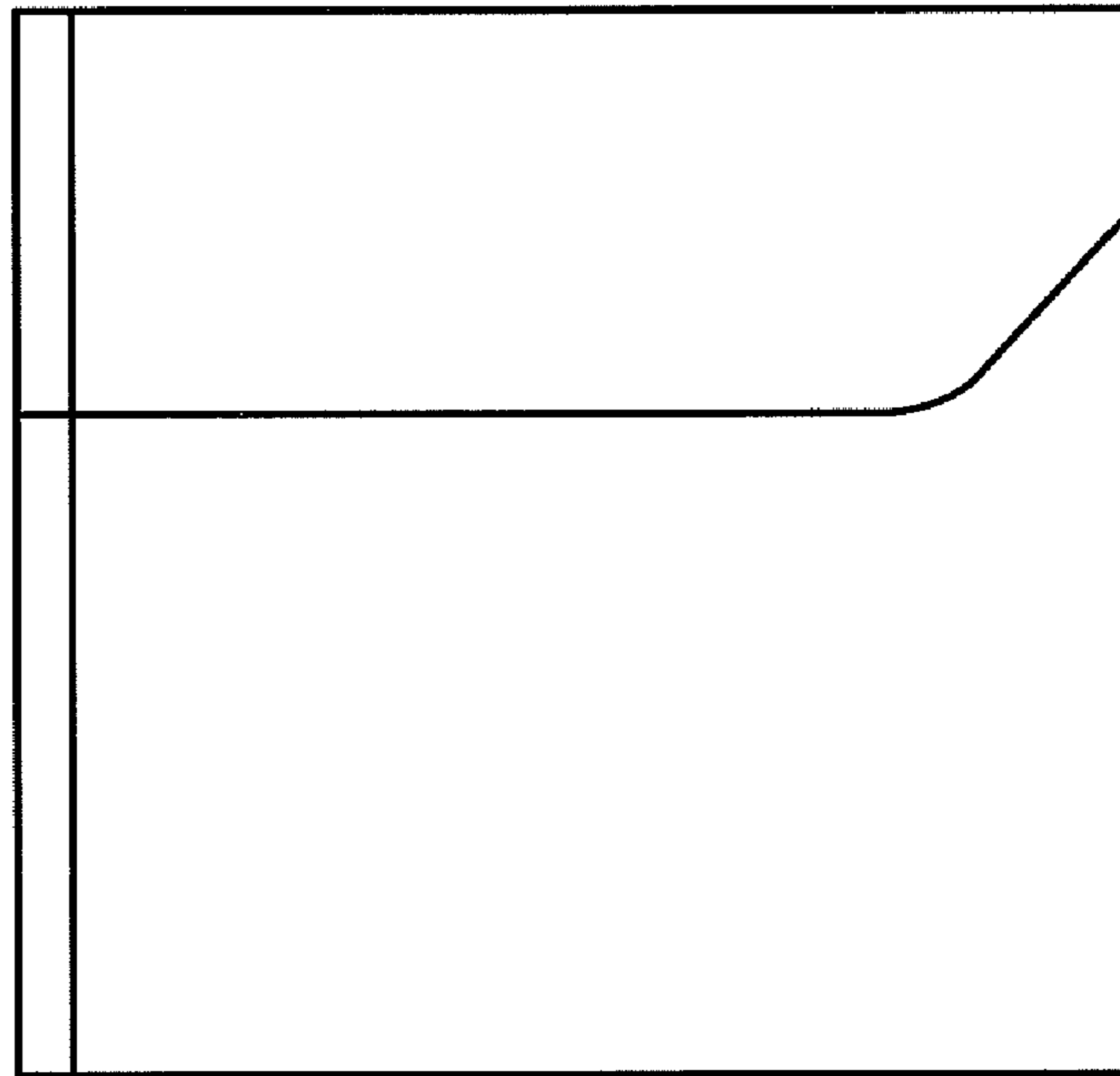


FIG. 35

FIG. 29

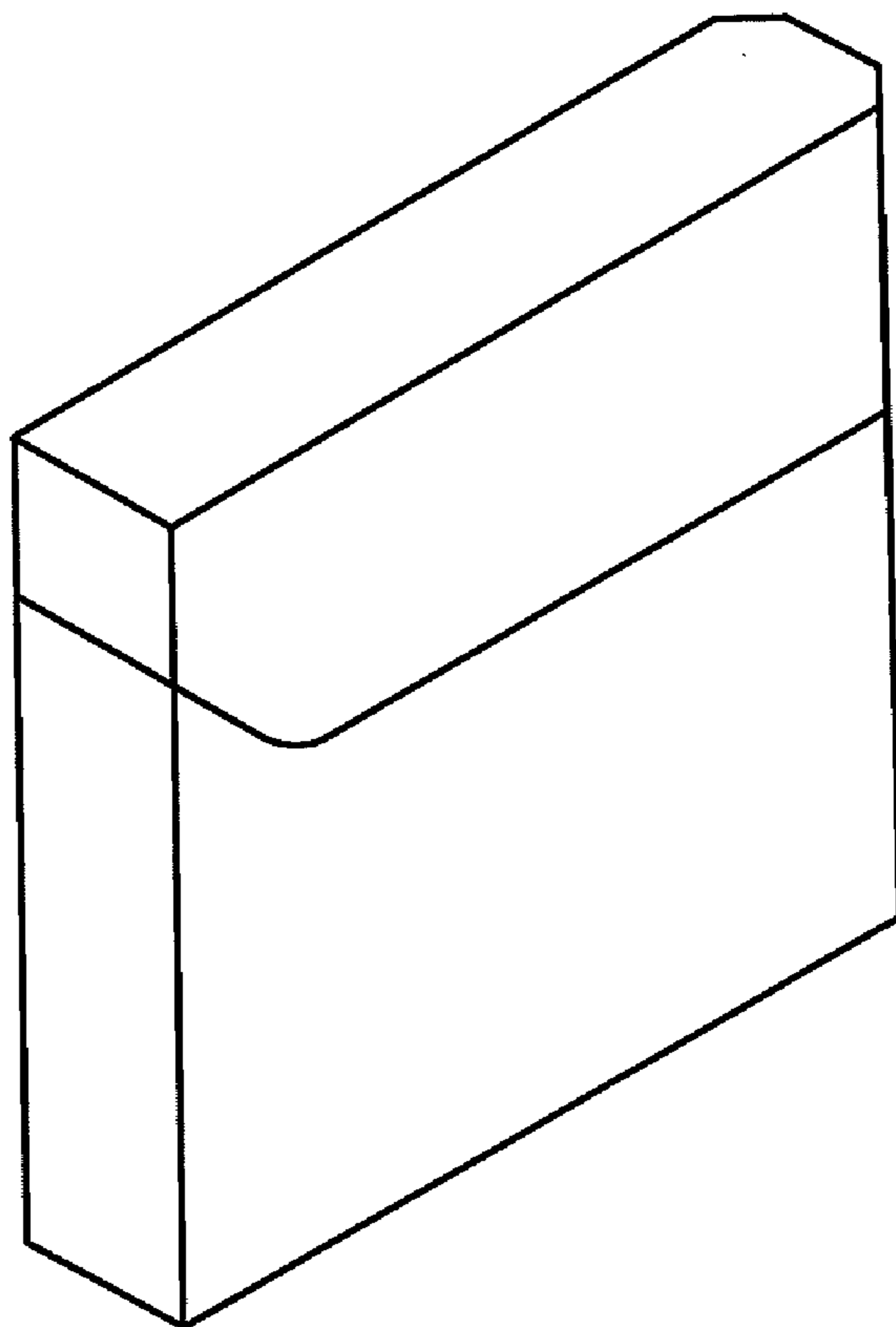




FIG. 30

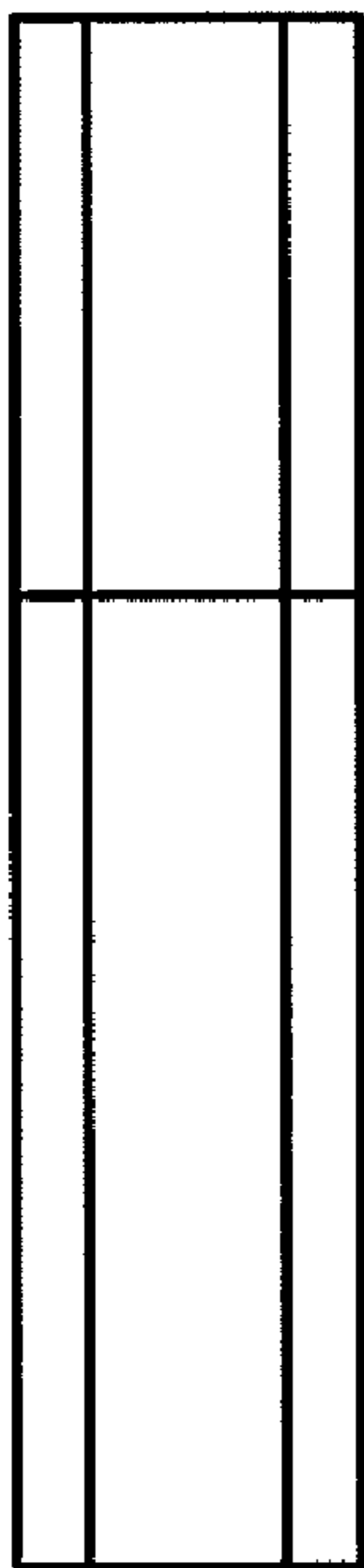


FIG. 31

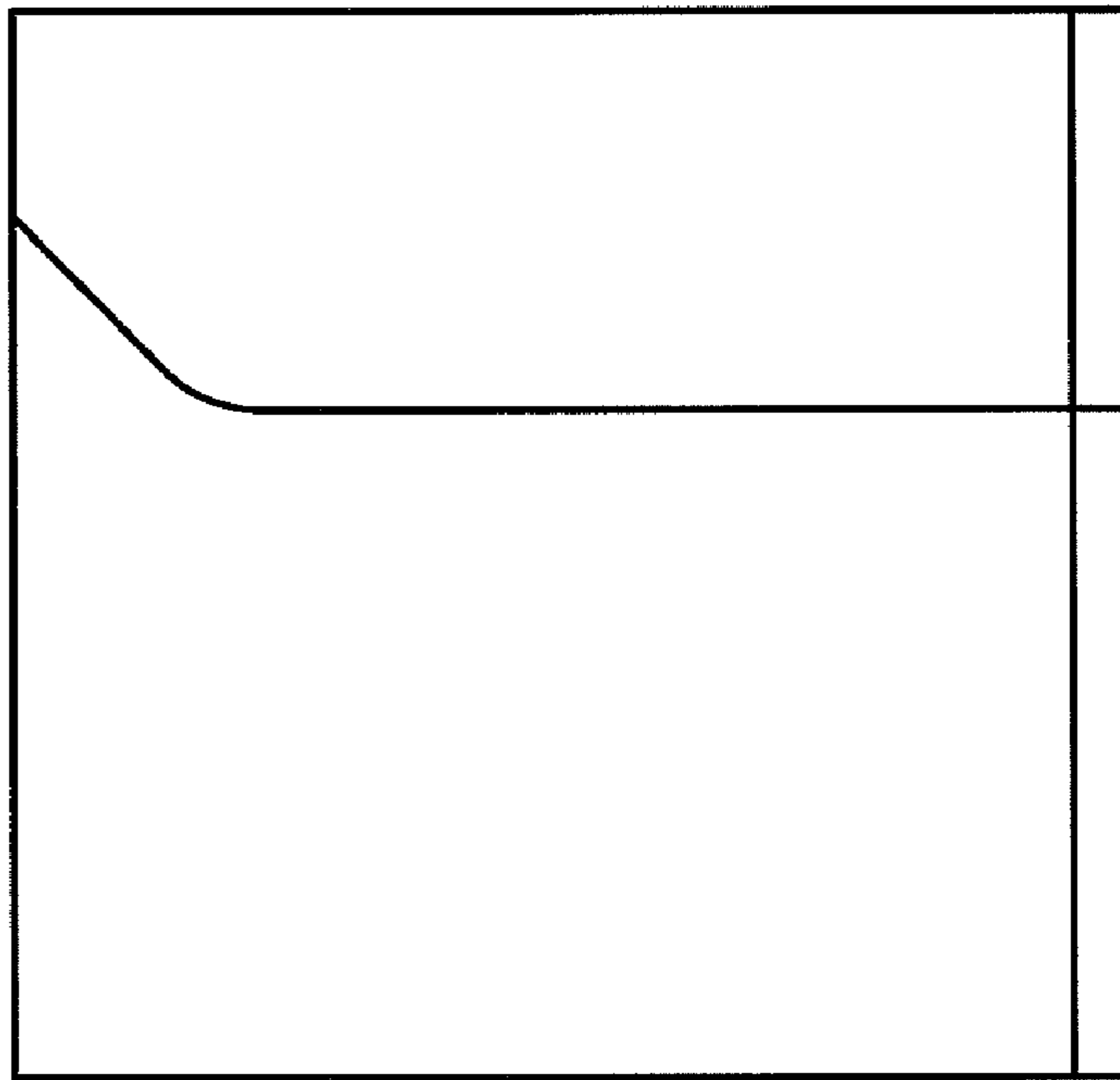


FIG. 32

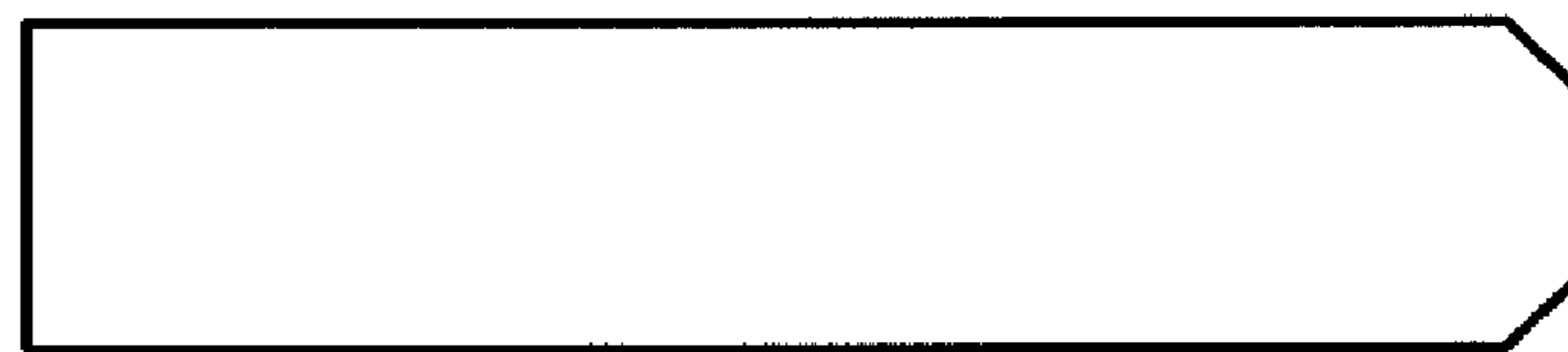


FIG. 33

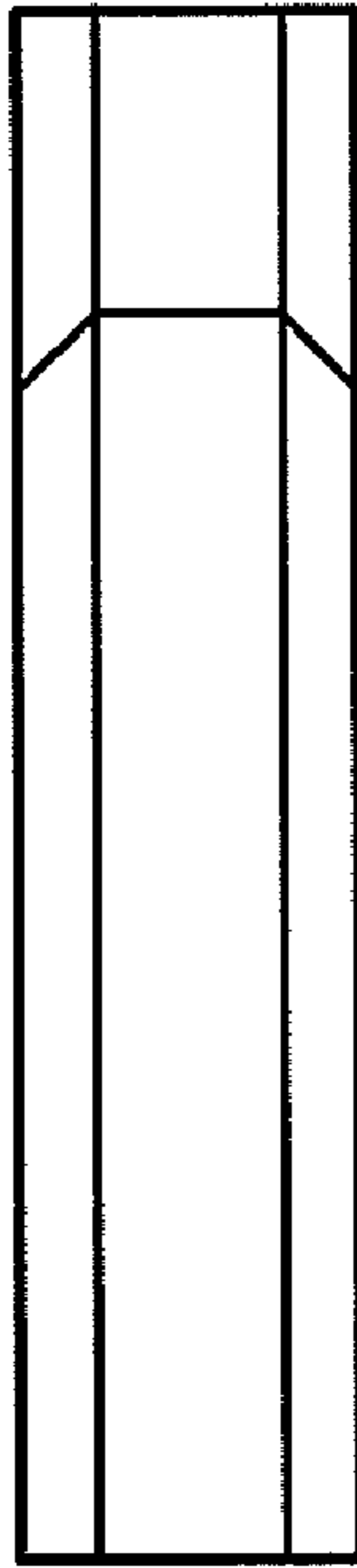


FIG. 41

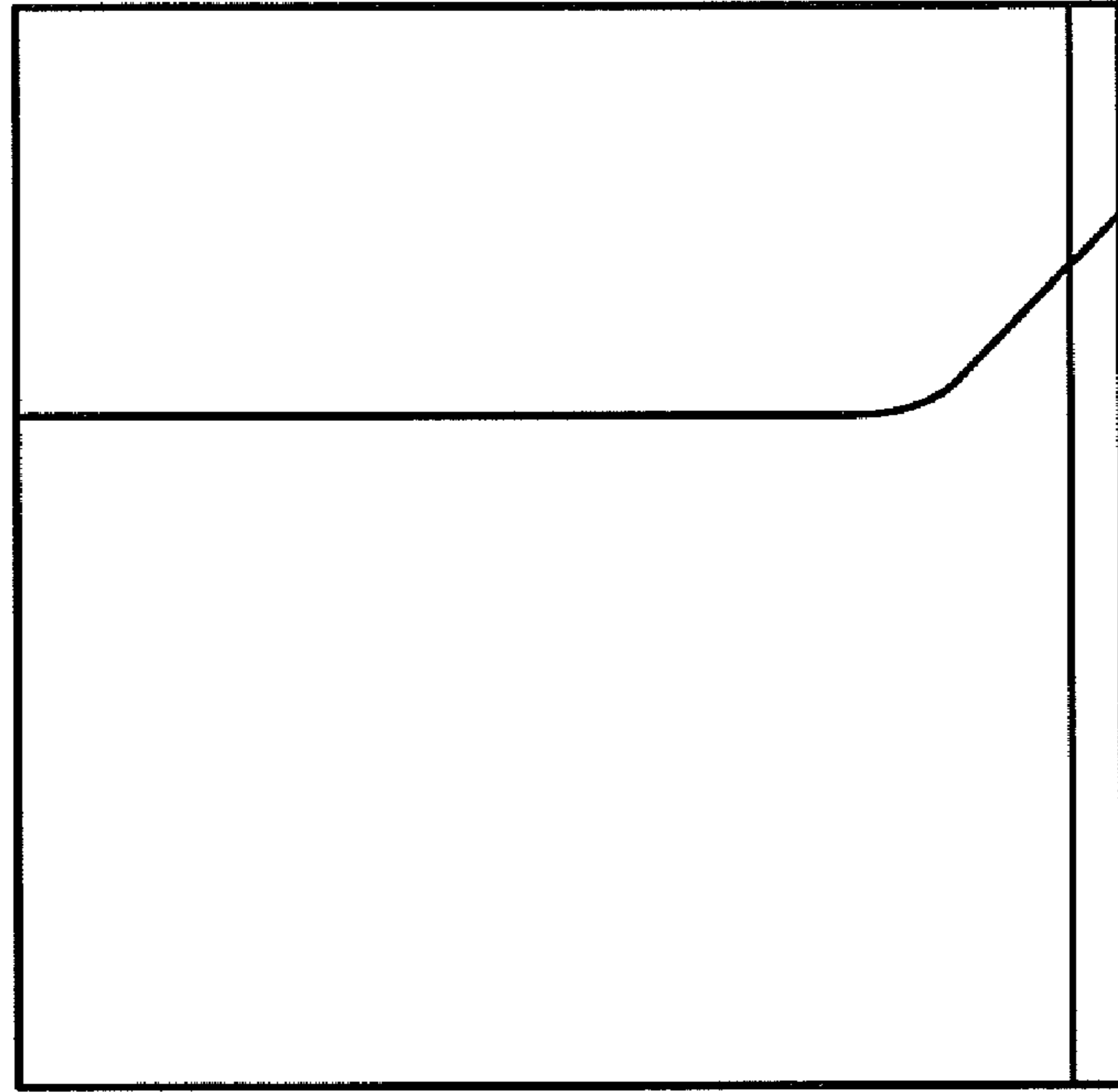


FIG. 42

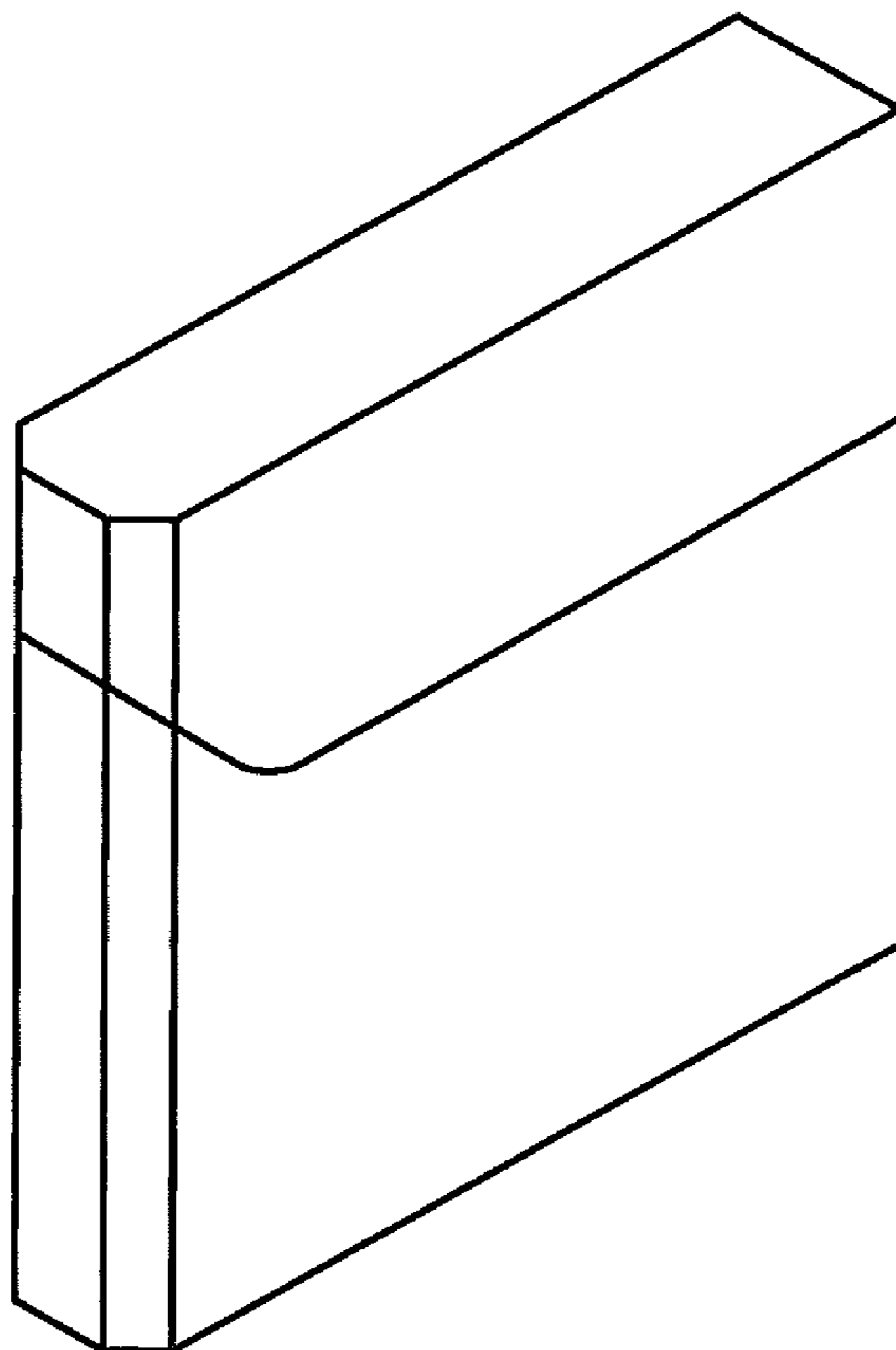


FIG. 36



FIG. 37

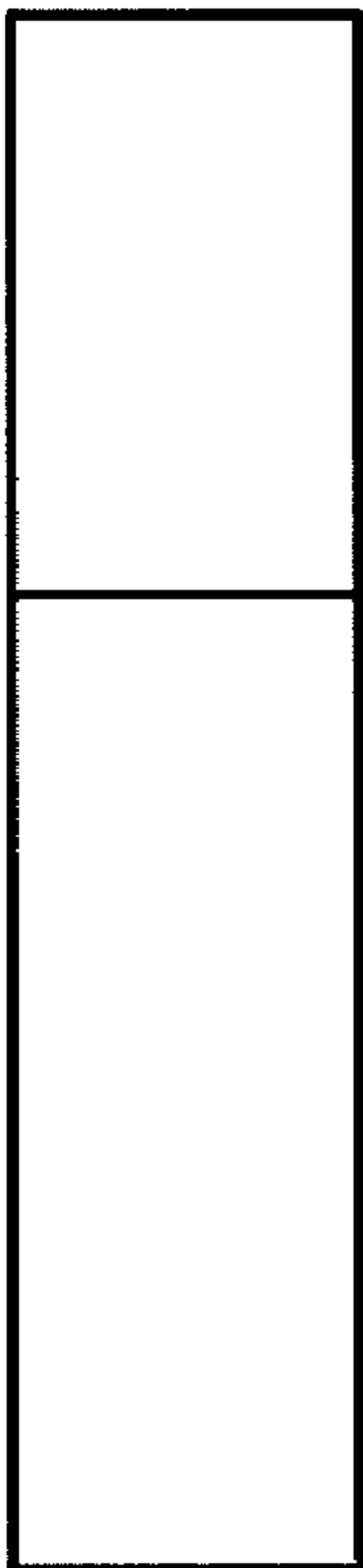


FIG. 38

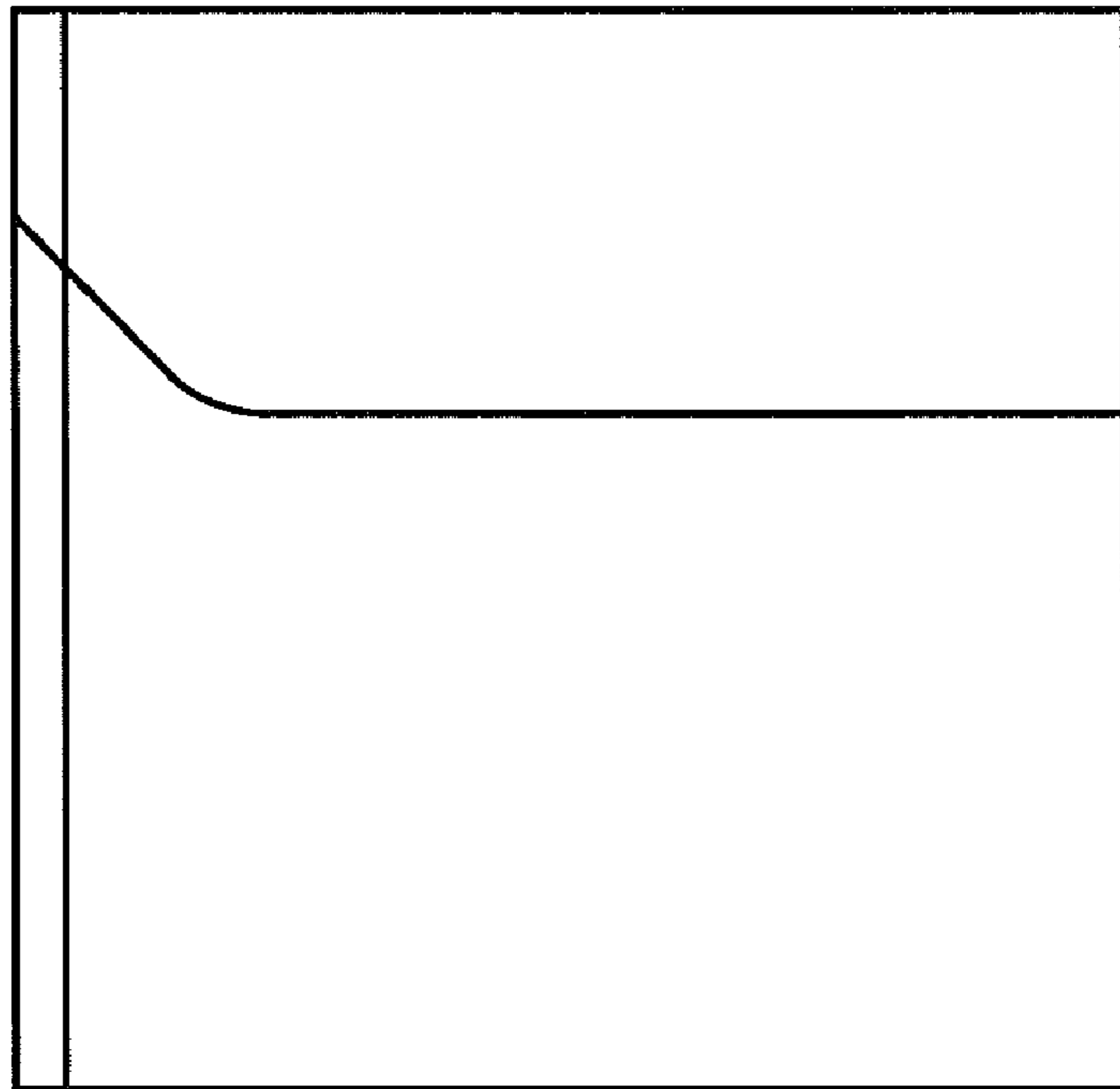


FIG. 39

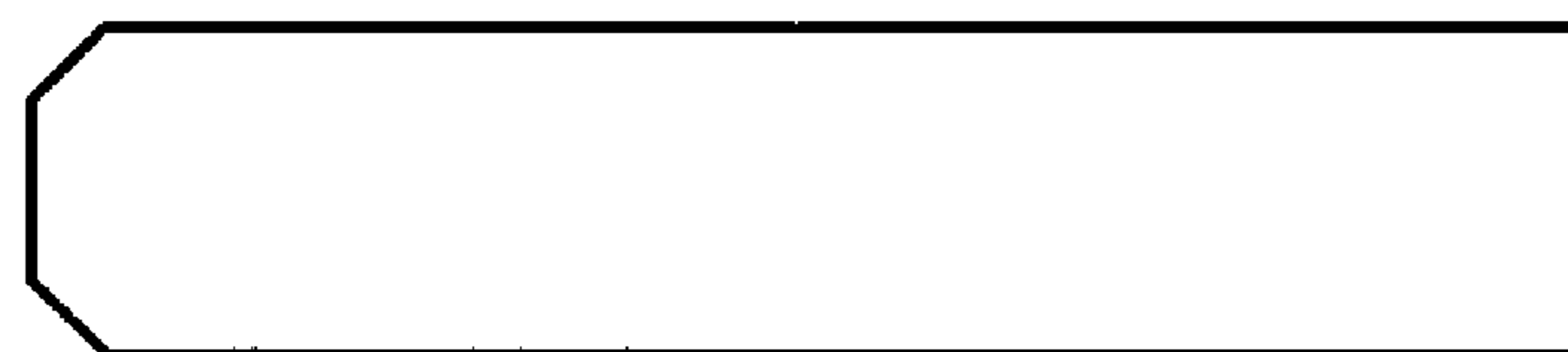


FIG. 40

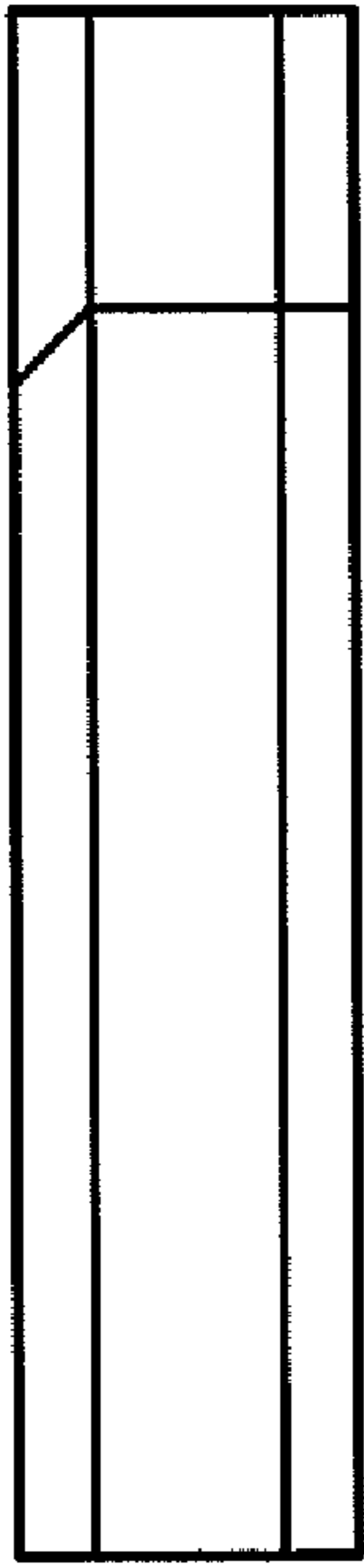


FIG. 48

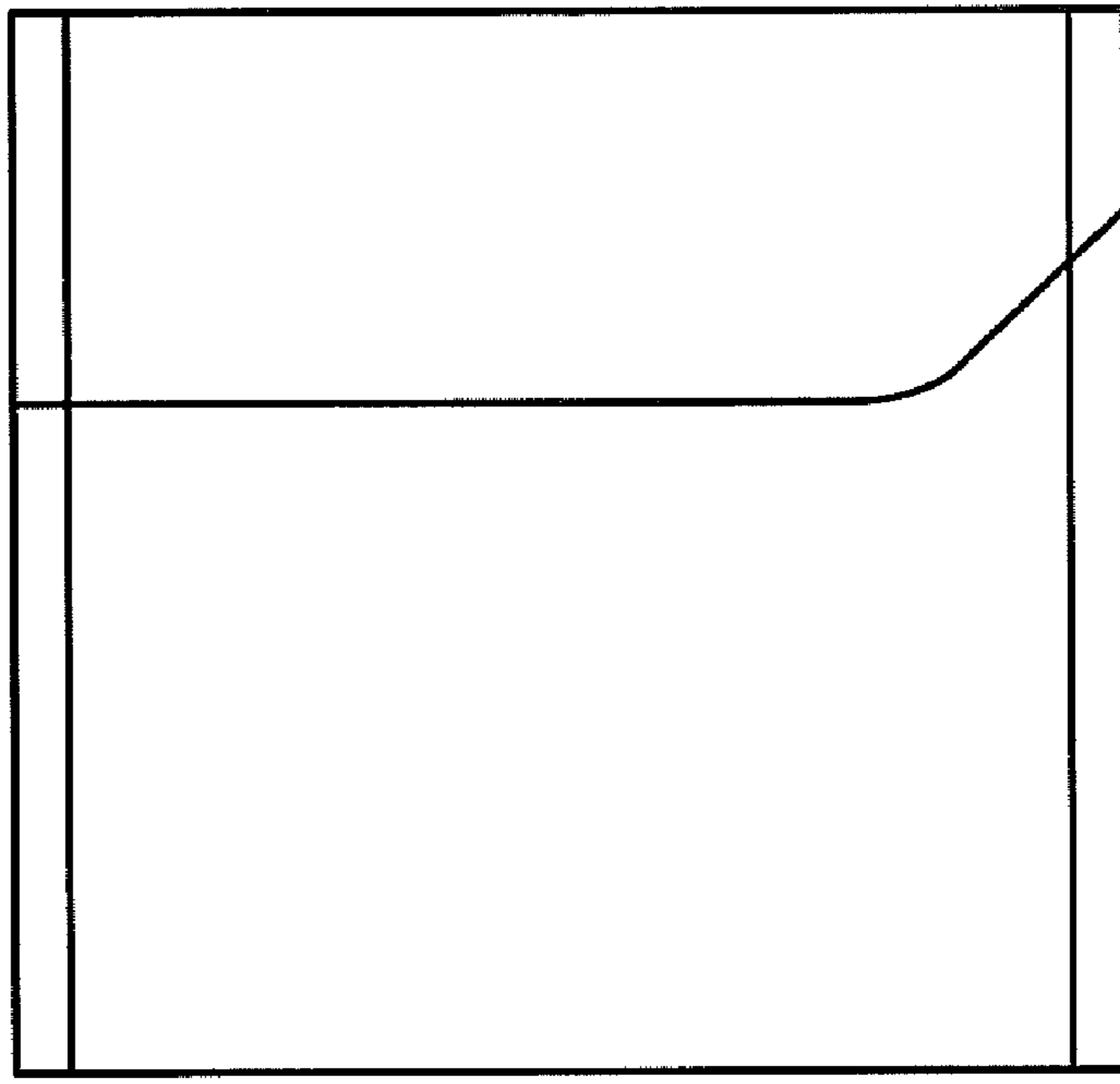
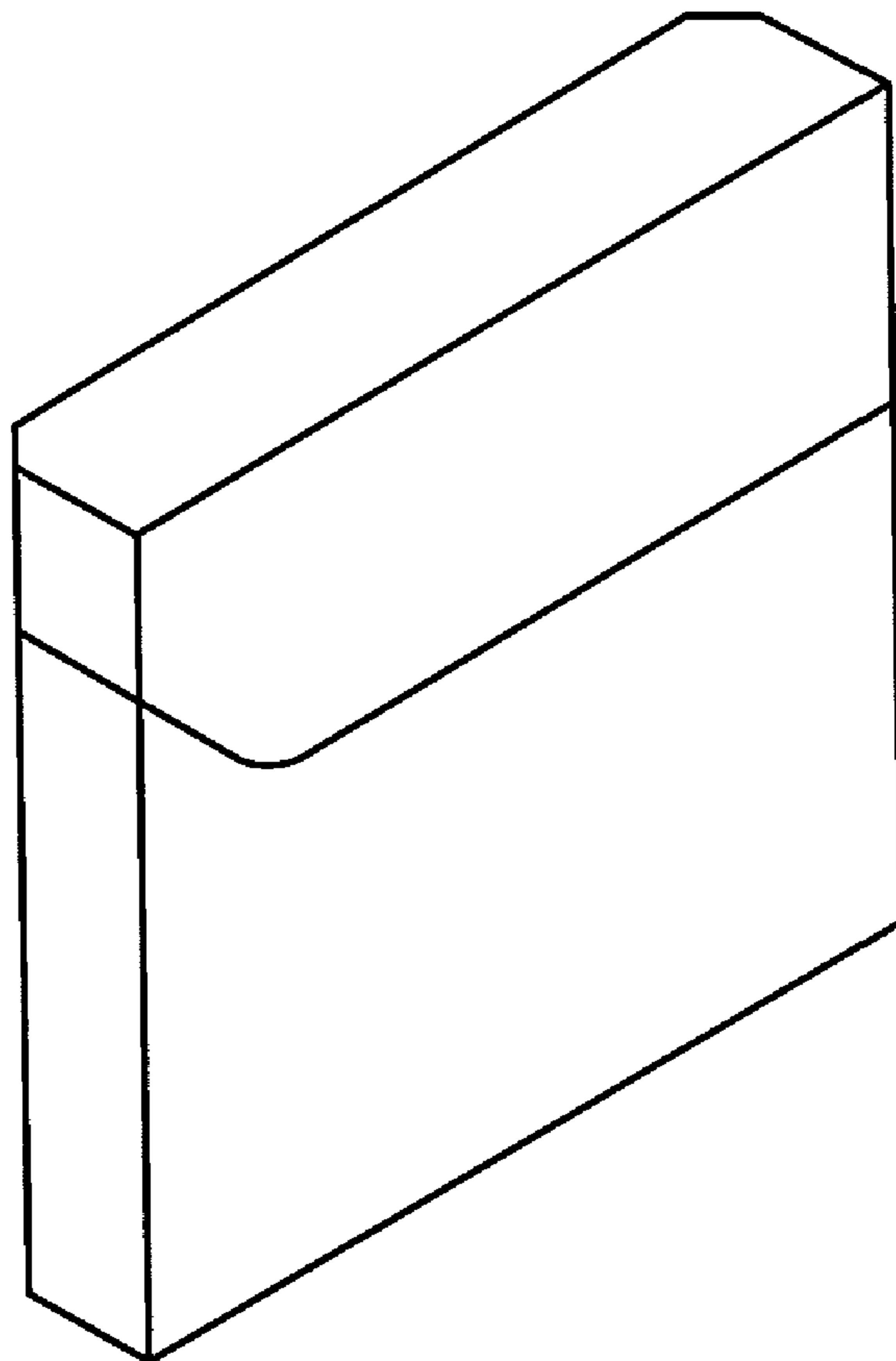


FIG. 49

FIG. 43



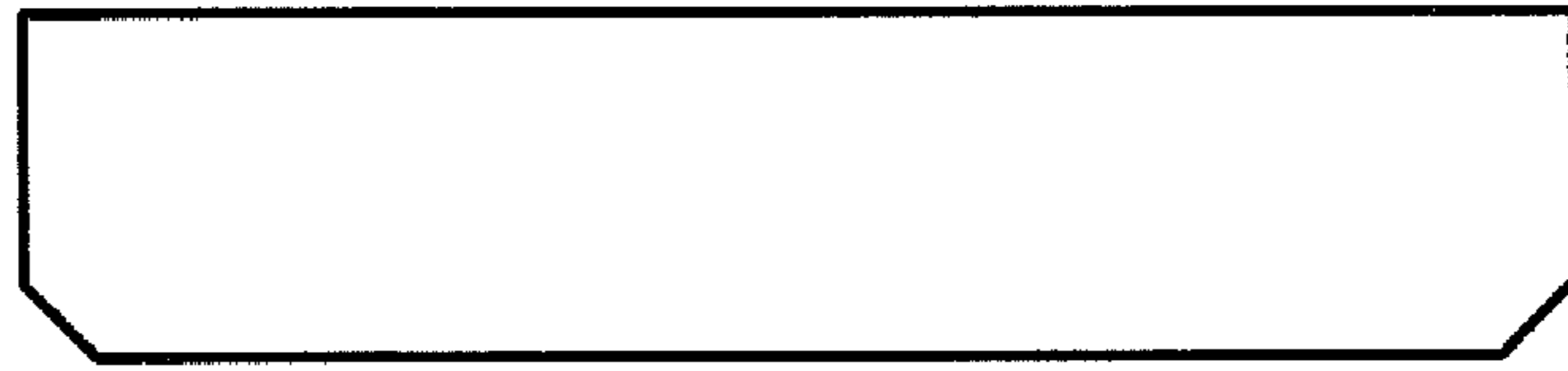


FIG. 44

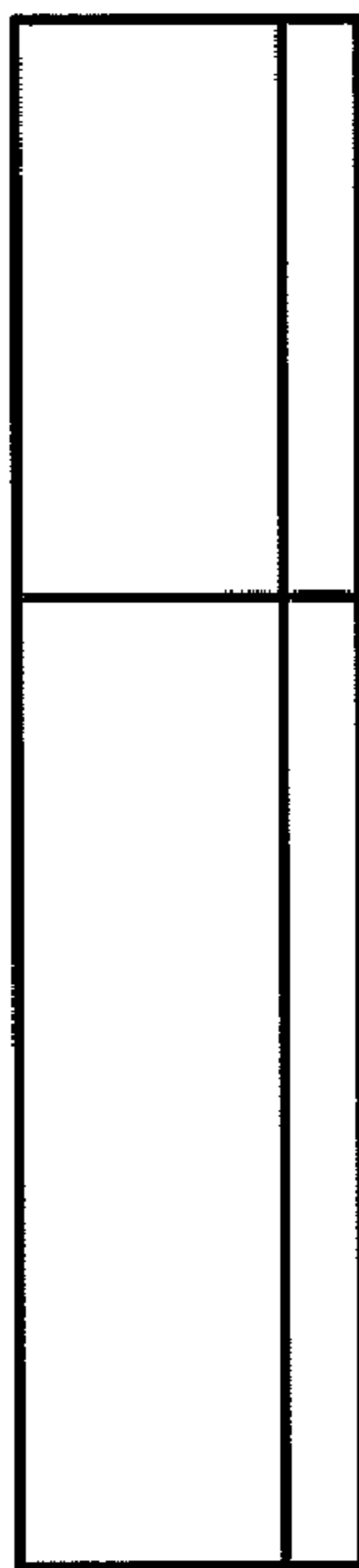


FIG. 45

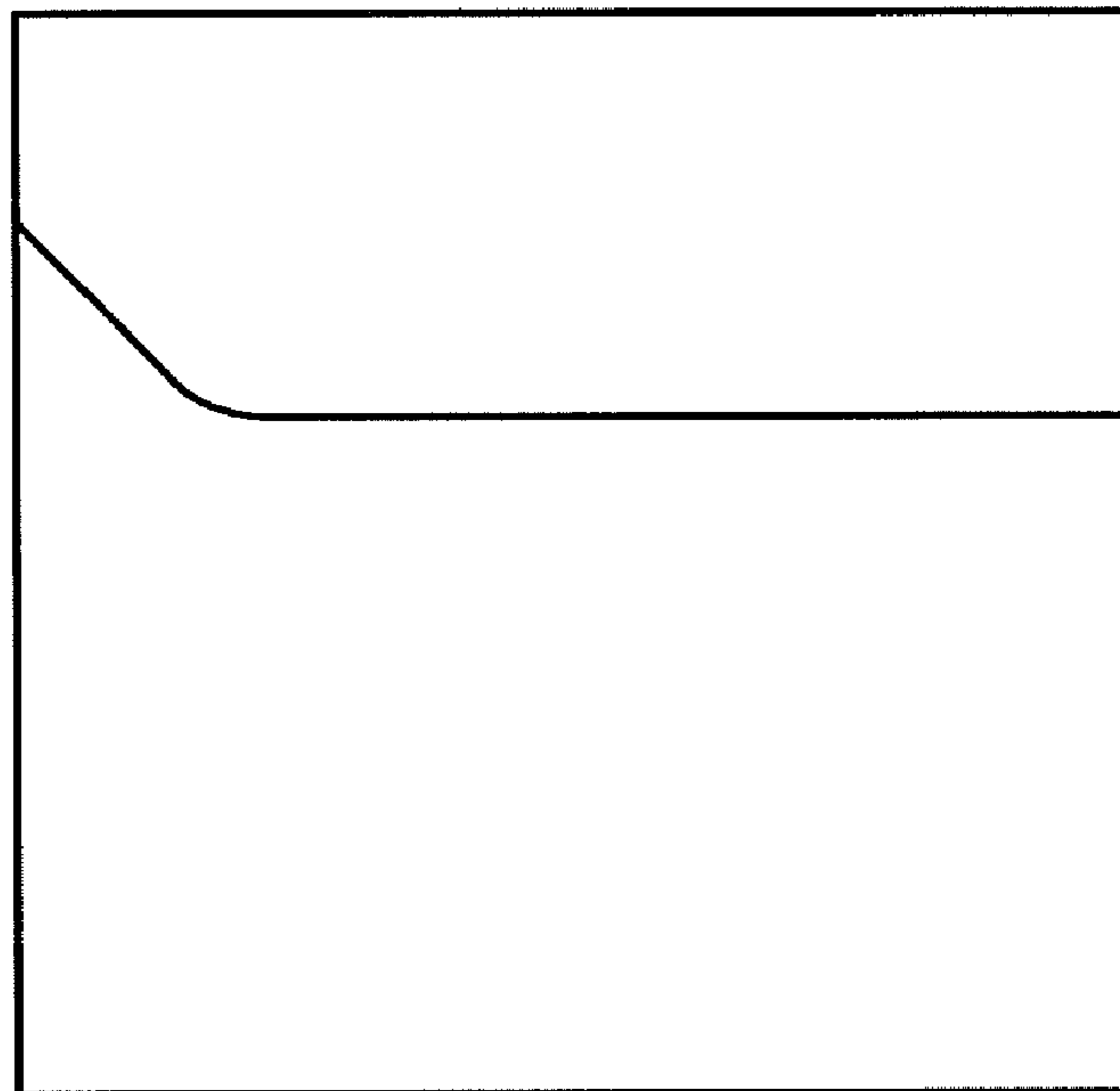


FIG. 46



FIG. 47

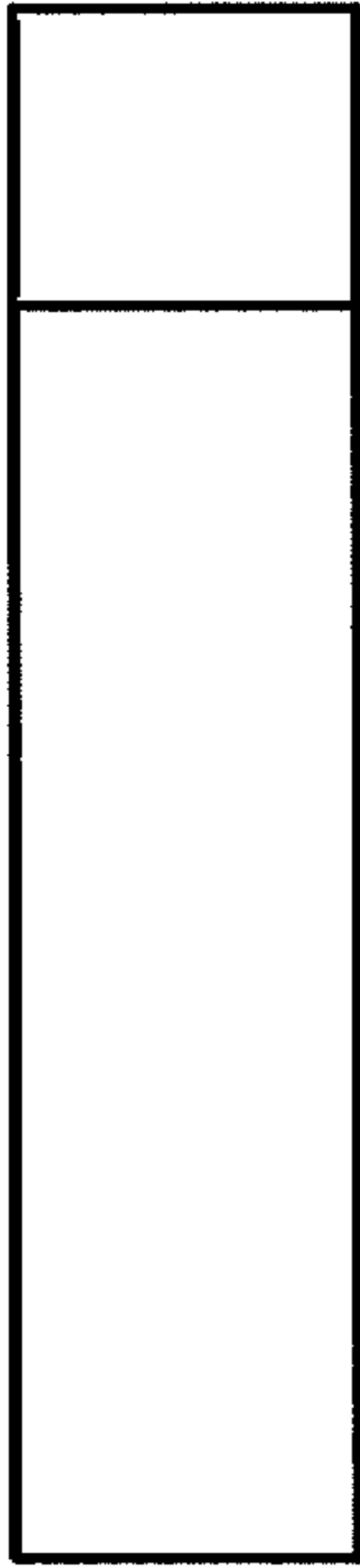


FIG. 55

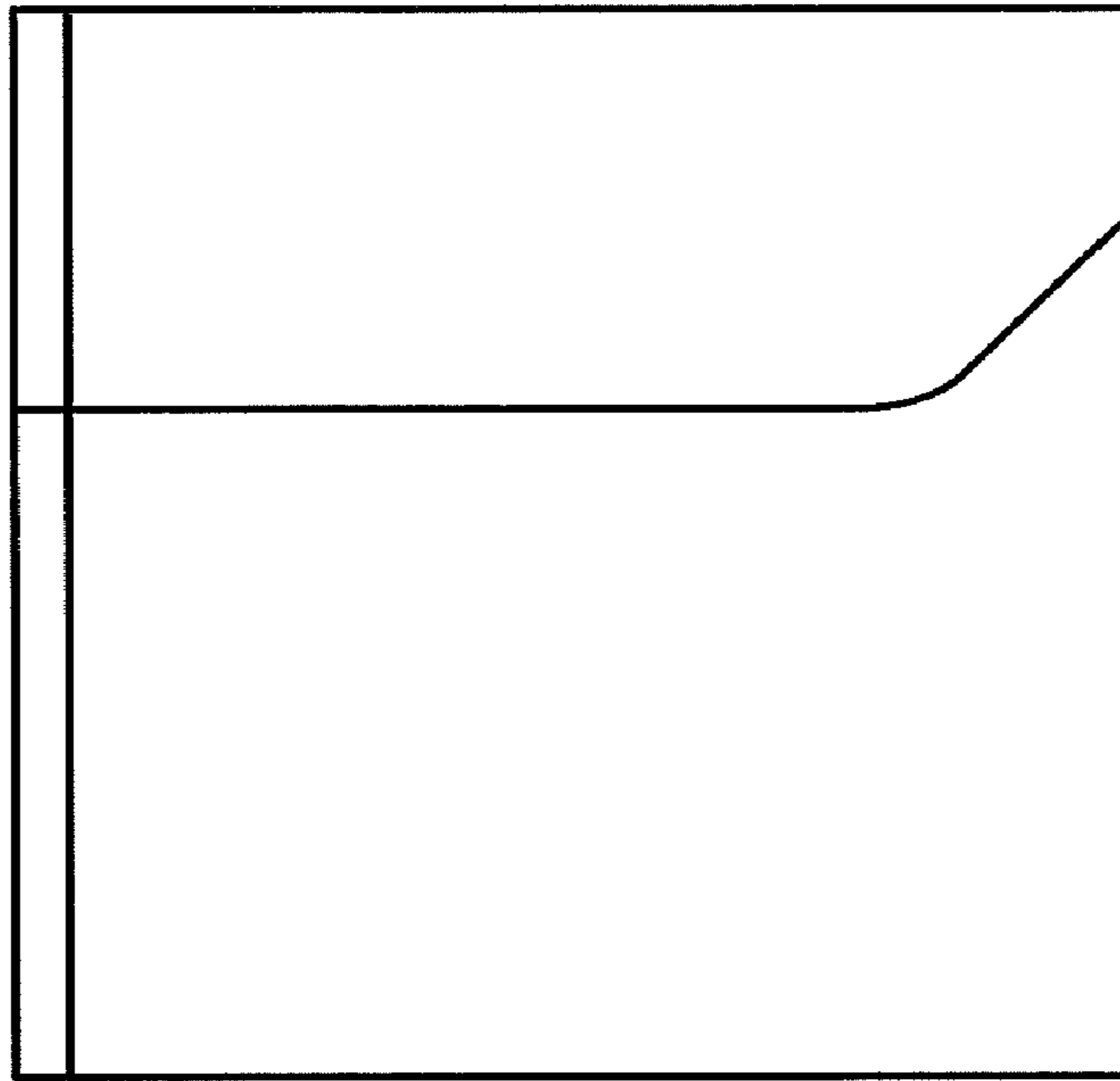


FIG. 56

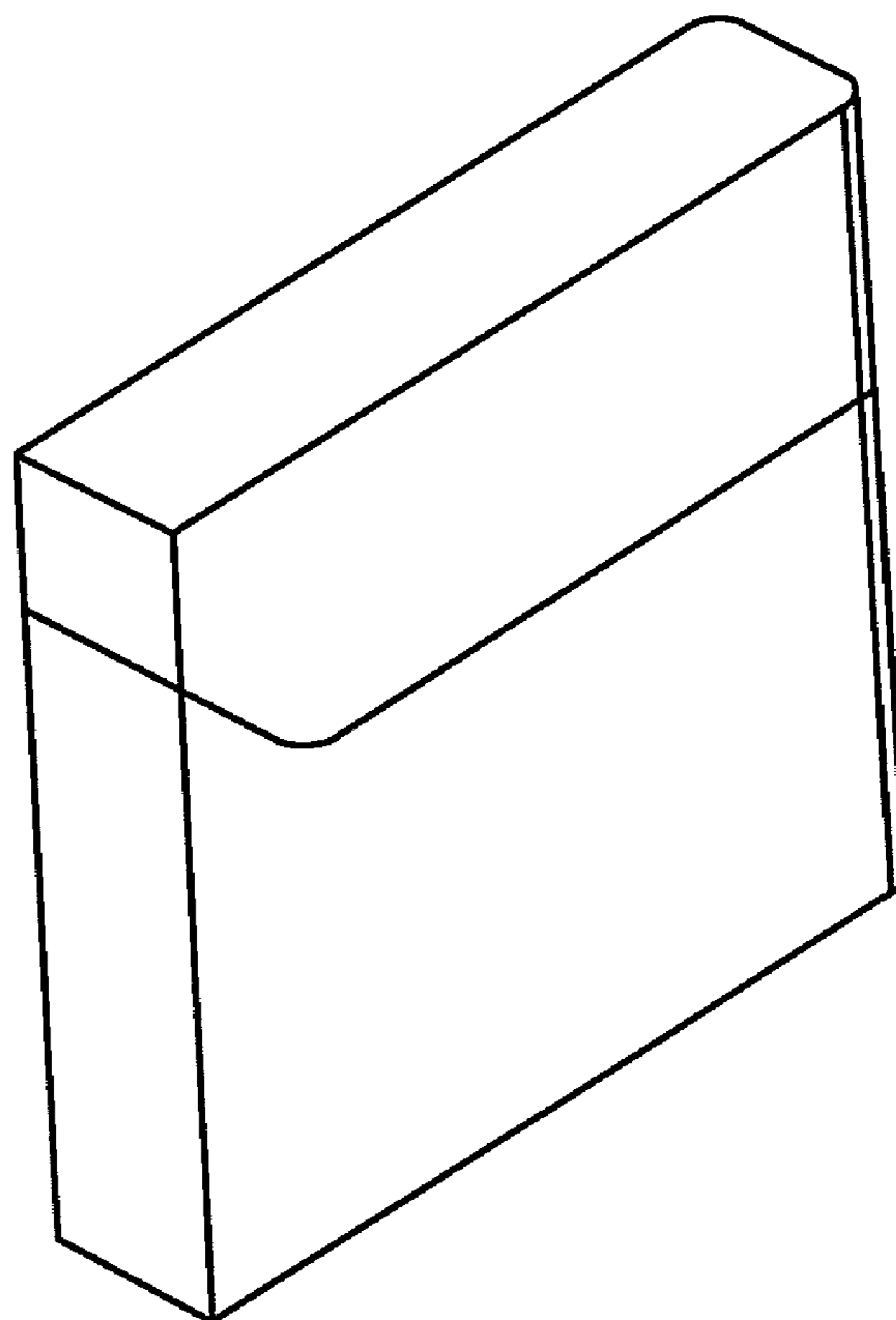


FIG. 50



FIG. 51

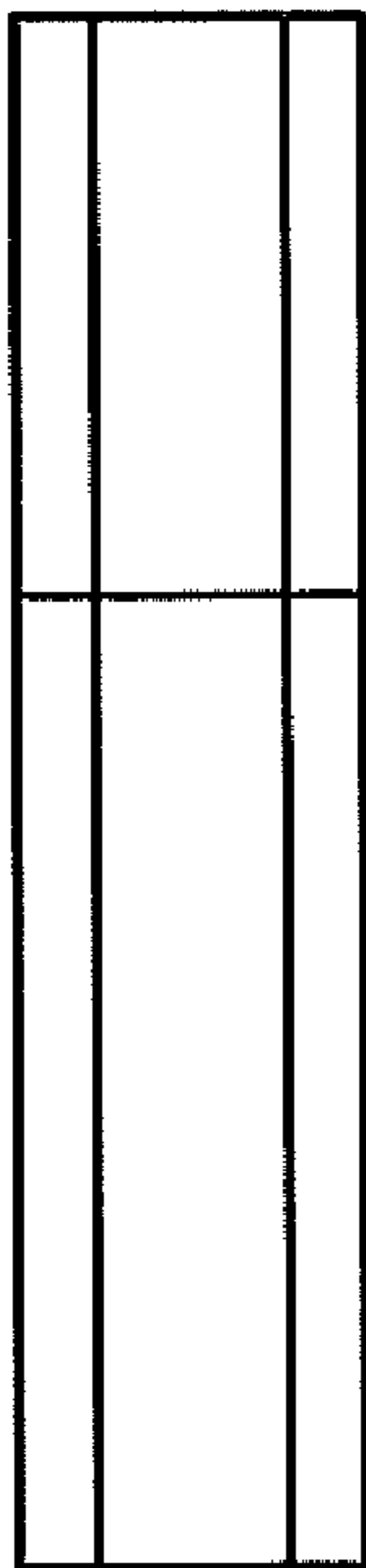


FIG. 52

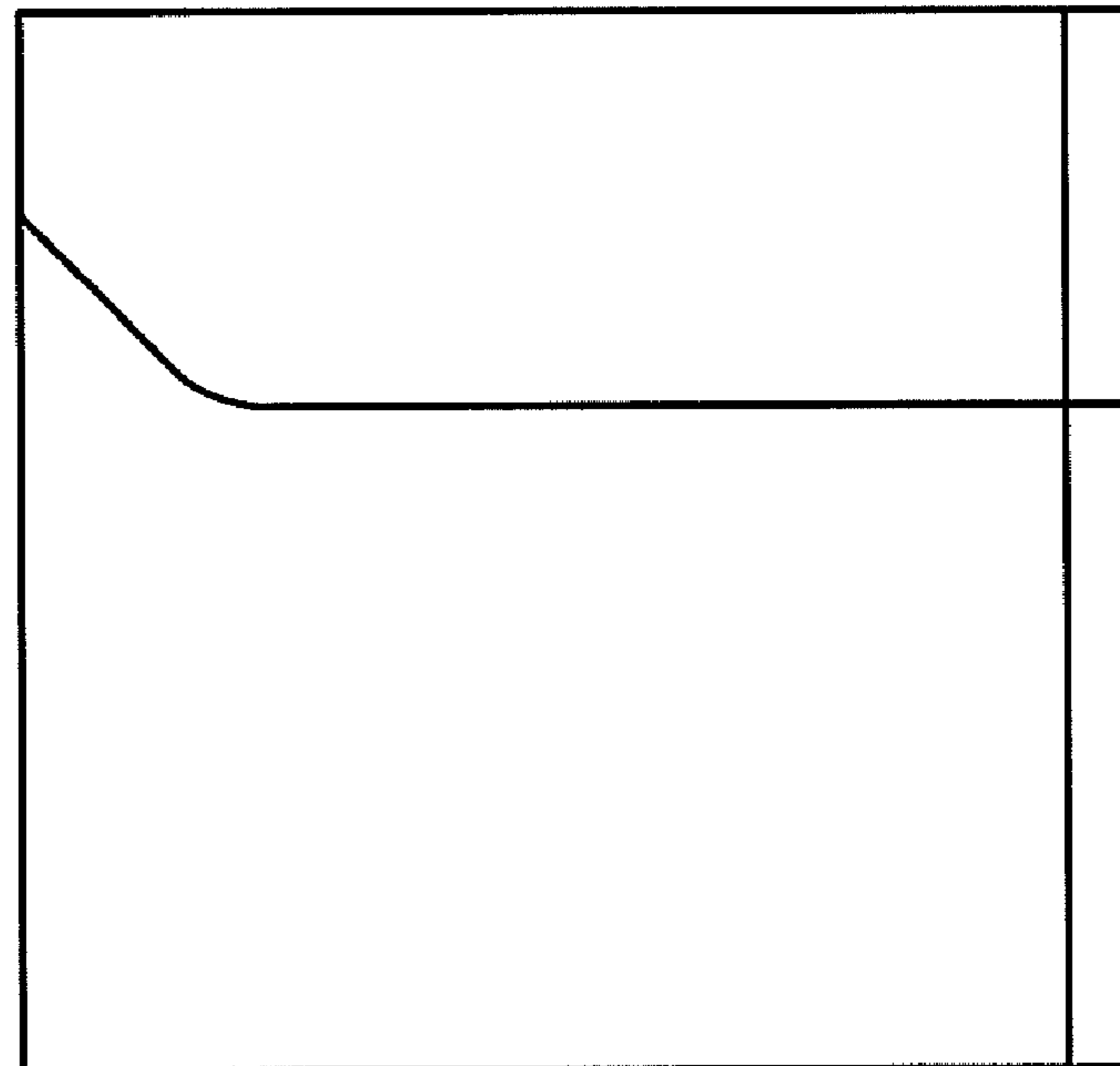


FIG. 53

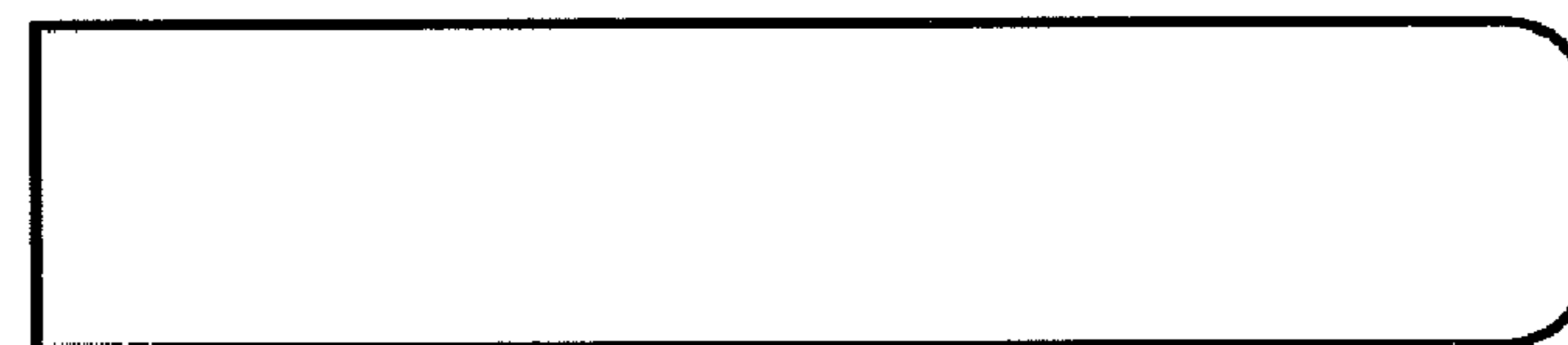


FIG. 54

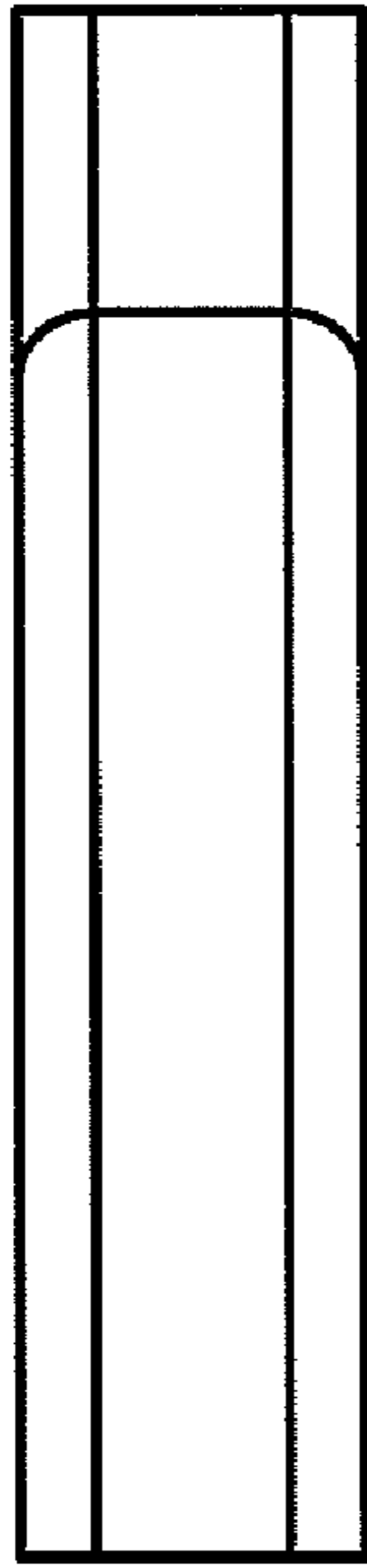


FIG. 62

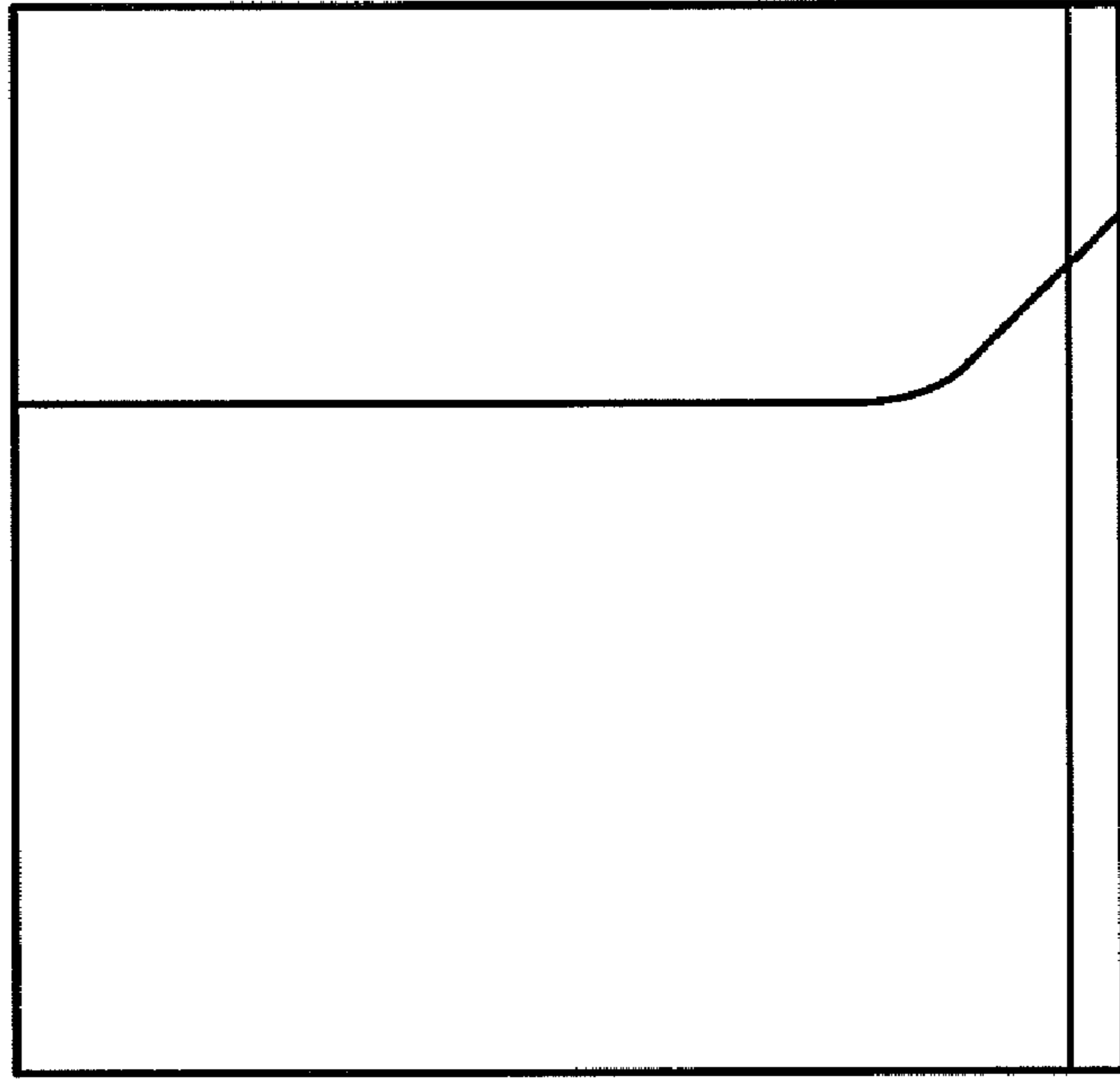


FIG. 63

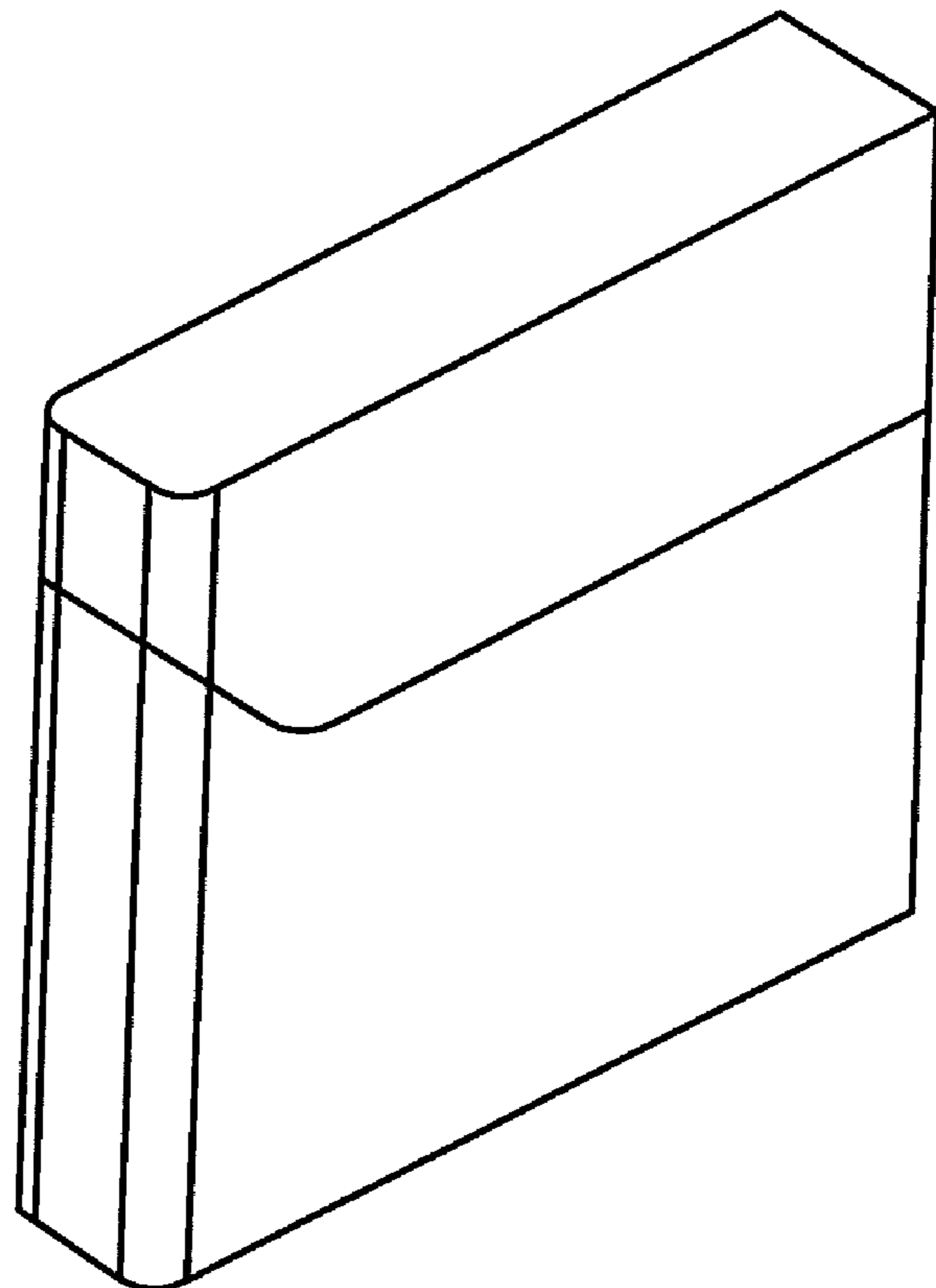


FIG. 57



FIG. 58

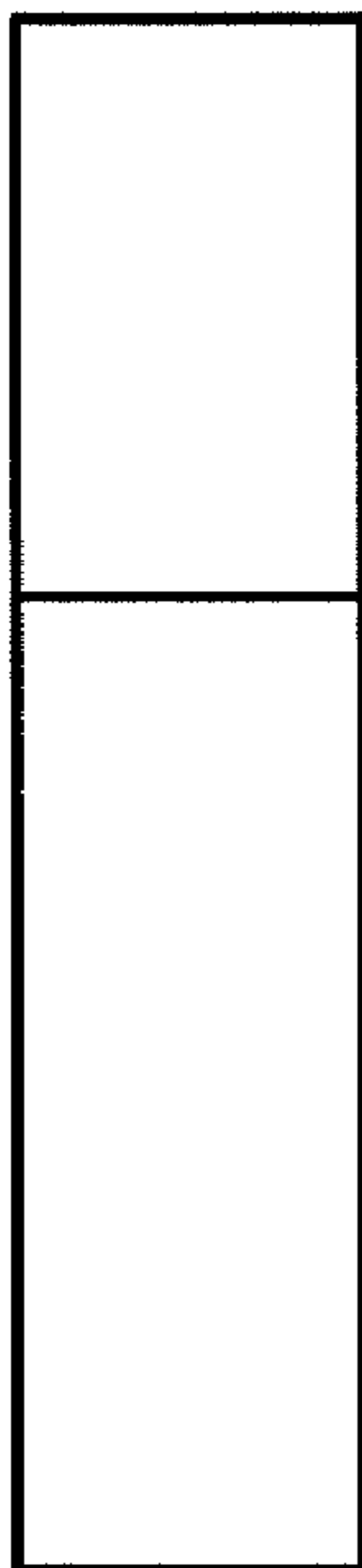


FIG. 59

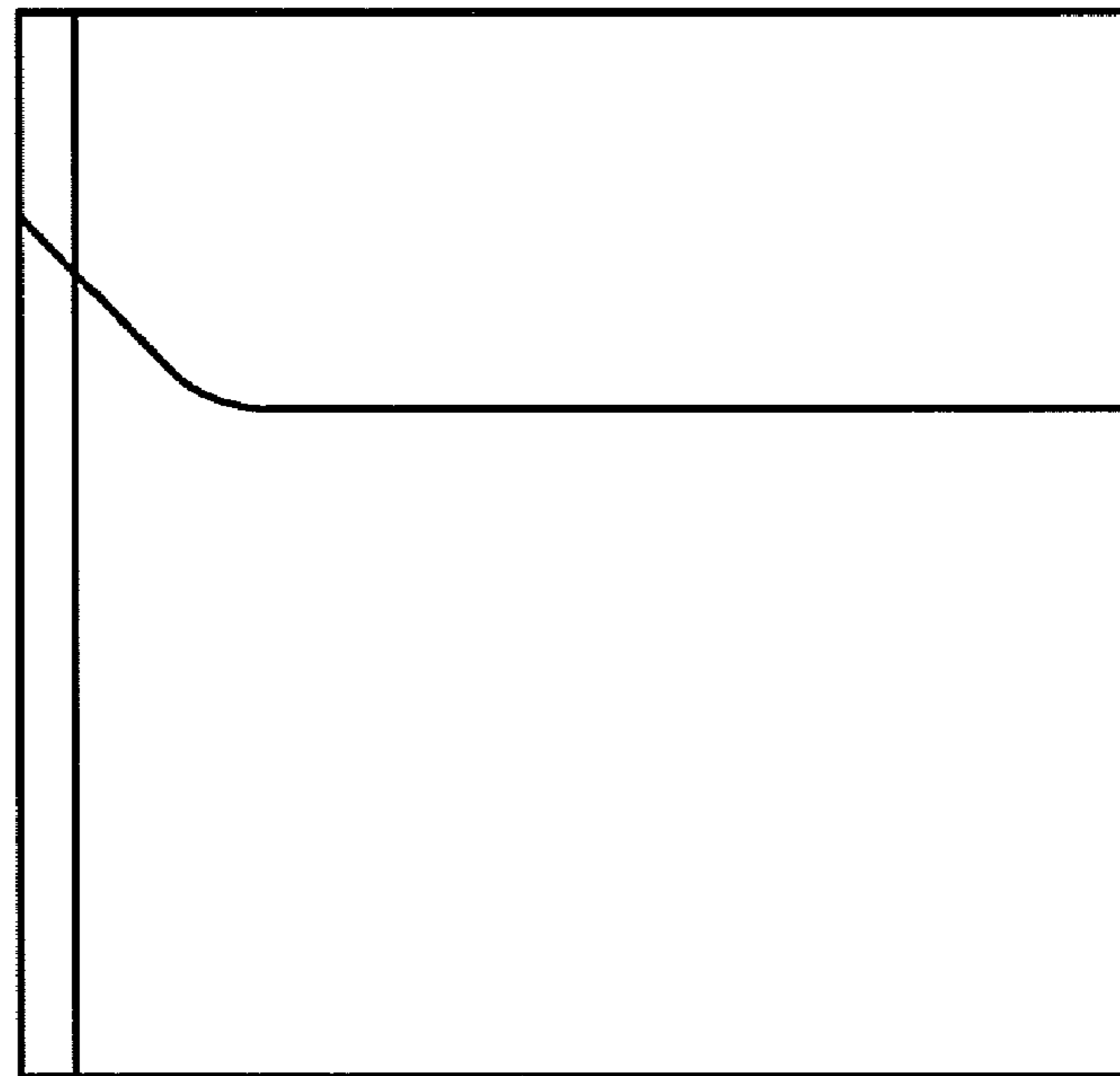


FIG. 60

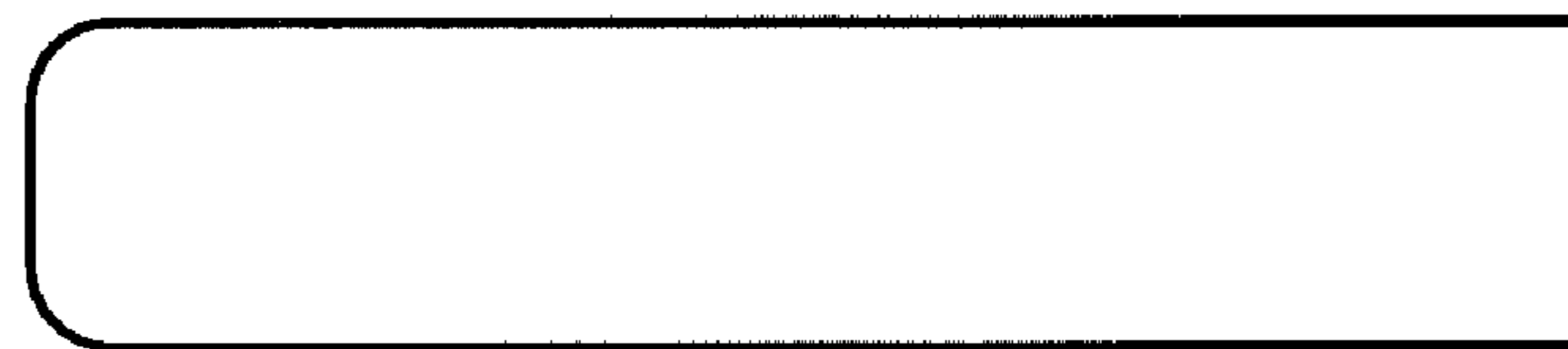


FIG. 61

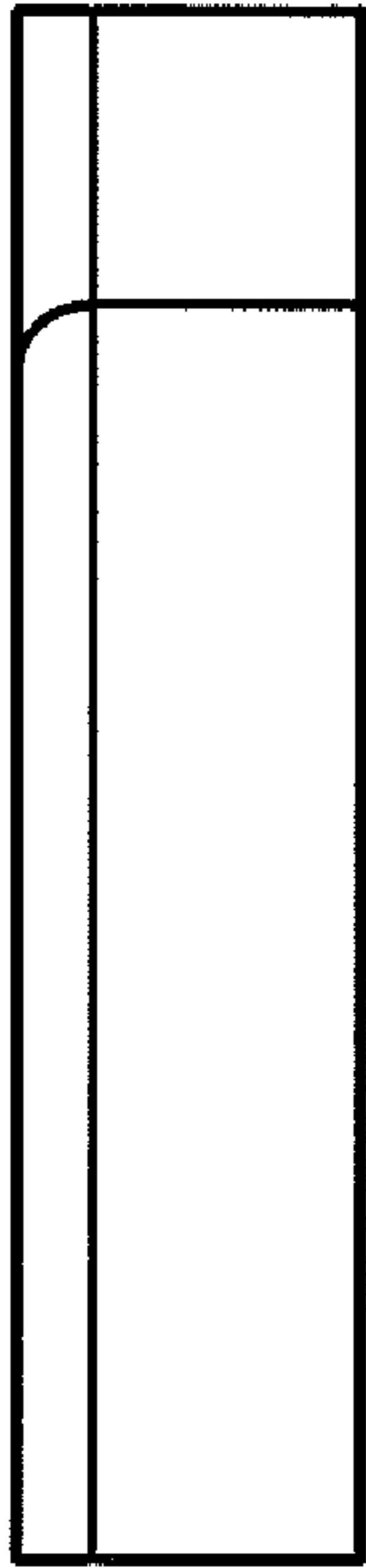


FIG. 69

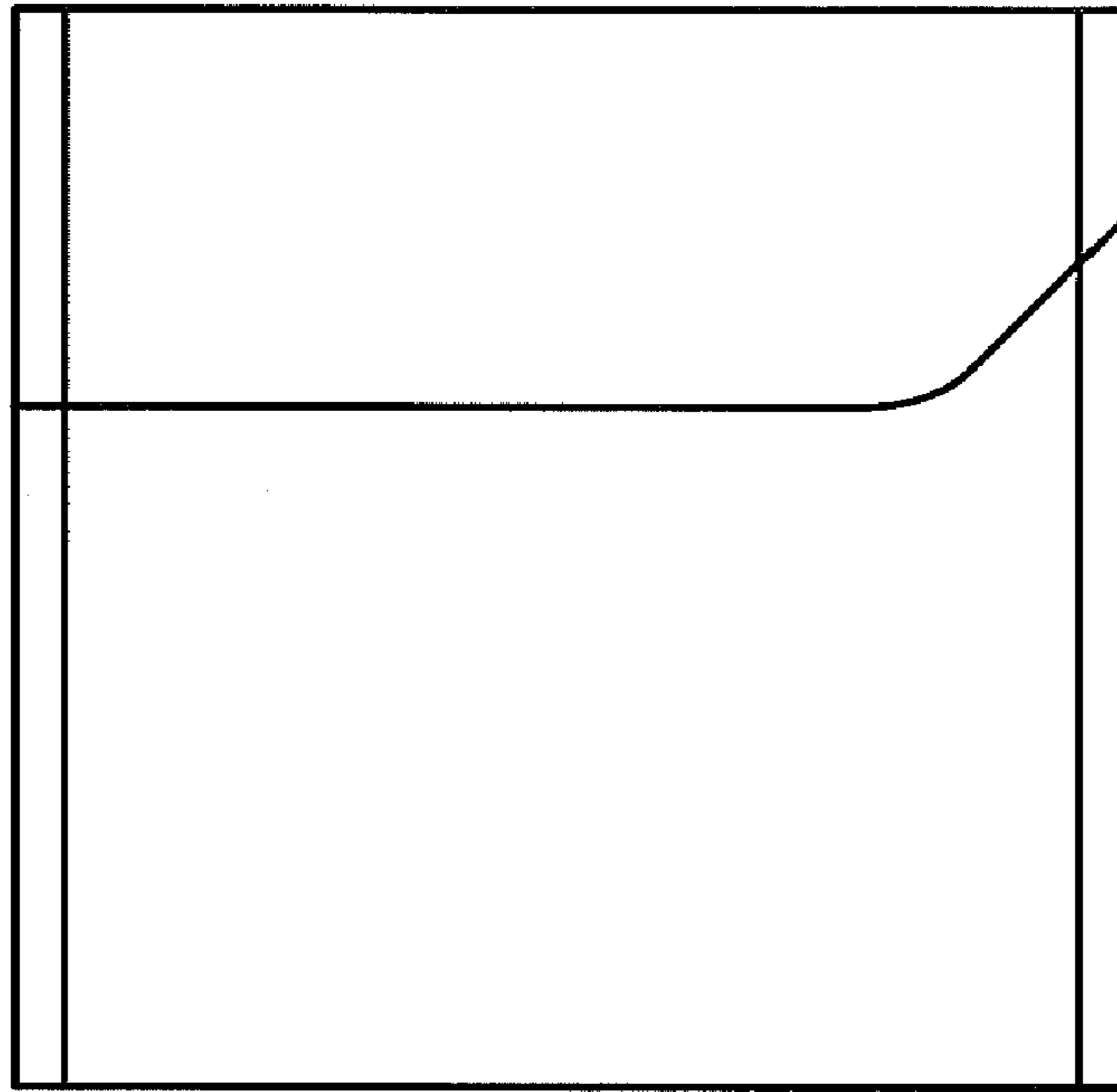
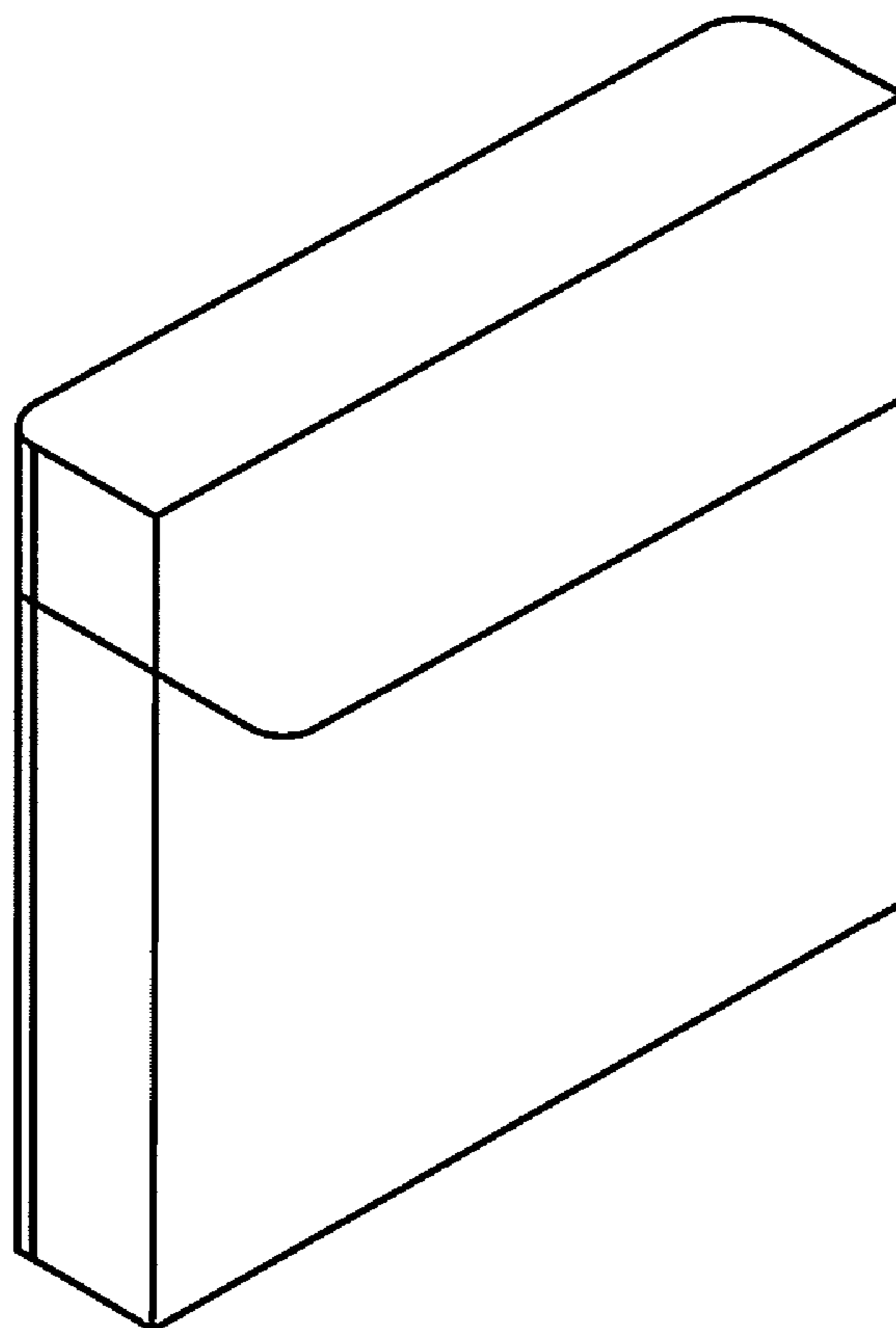


FIG. 70

FIG. 64



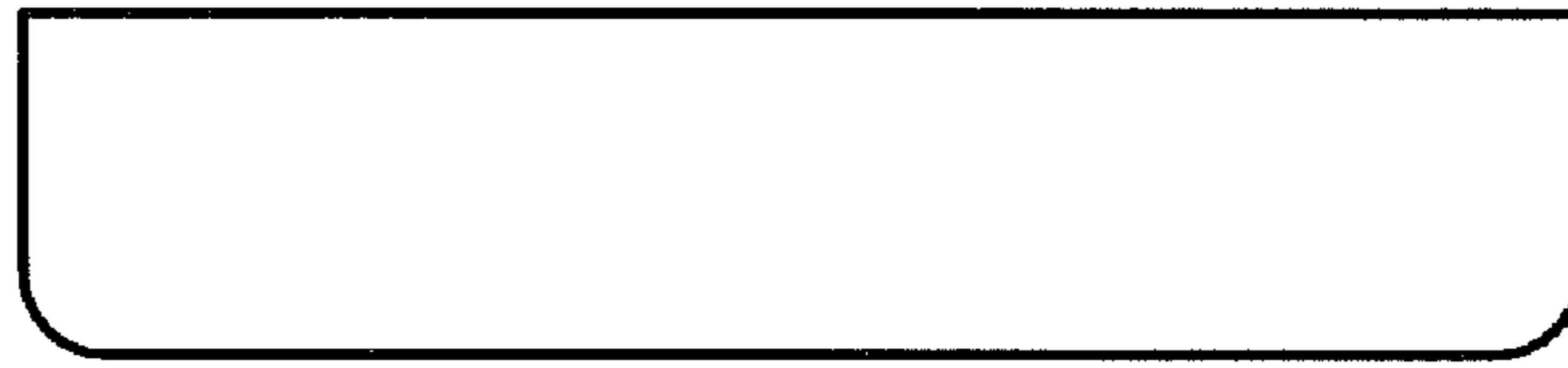


FIG. 65

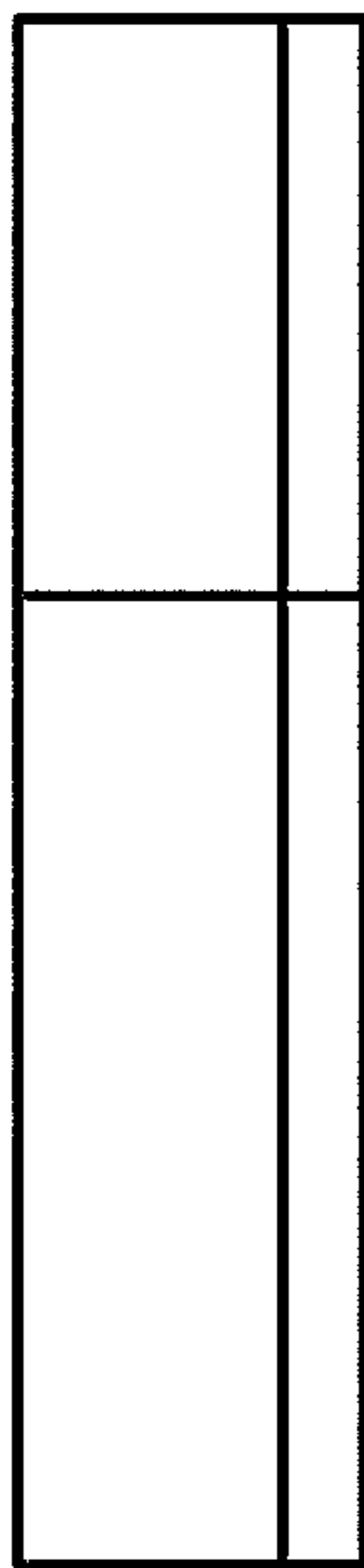


FIG. 66

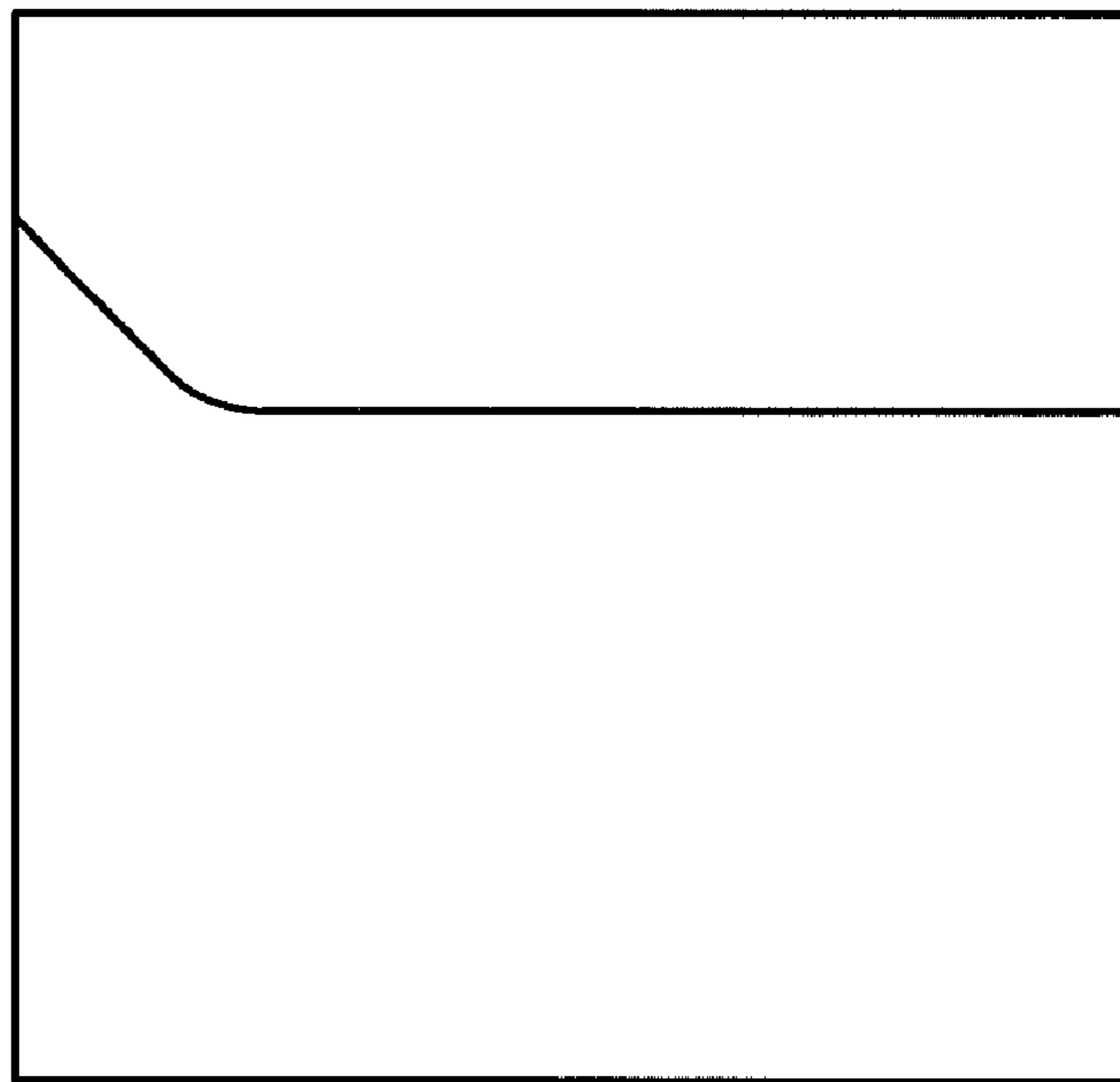


FIG. 67



FIG. 68

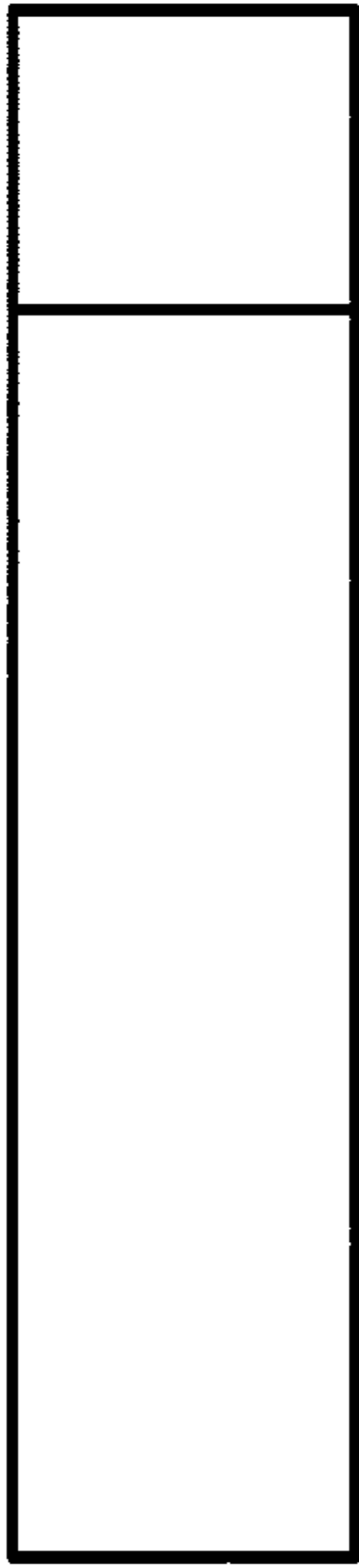


FIG. 76

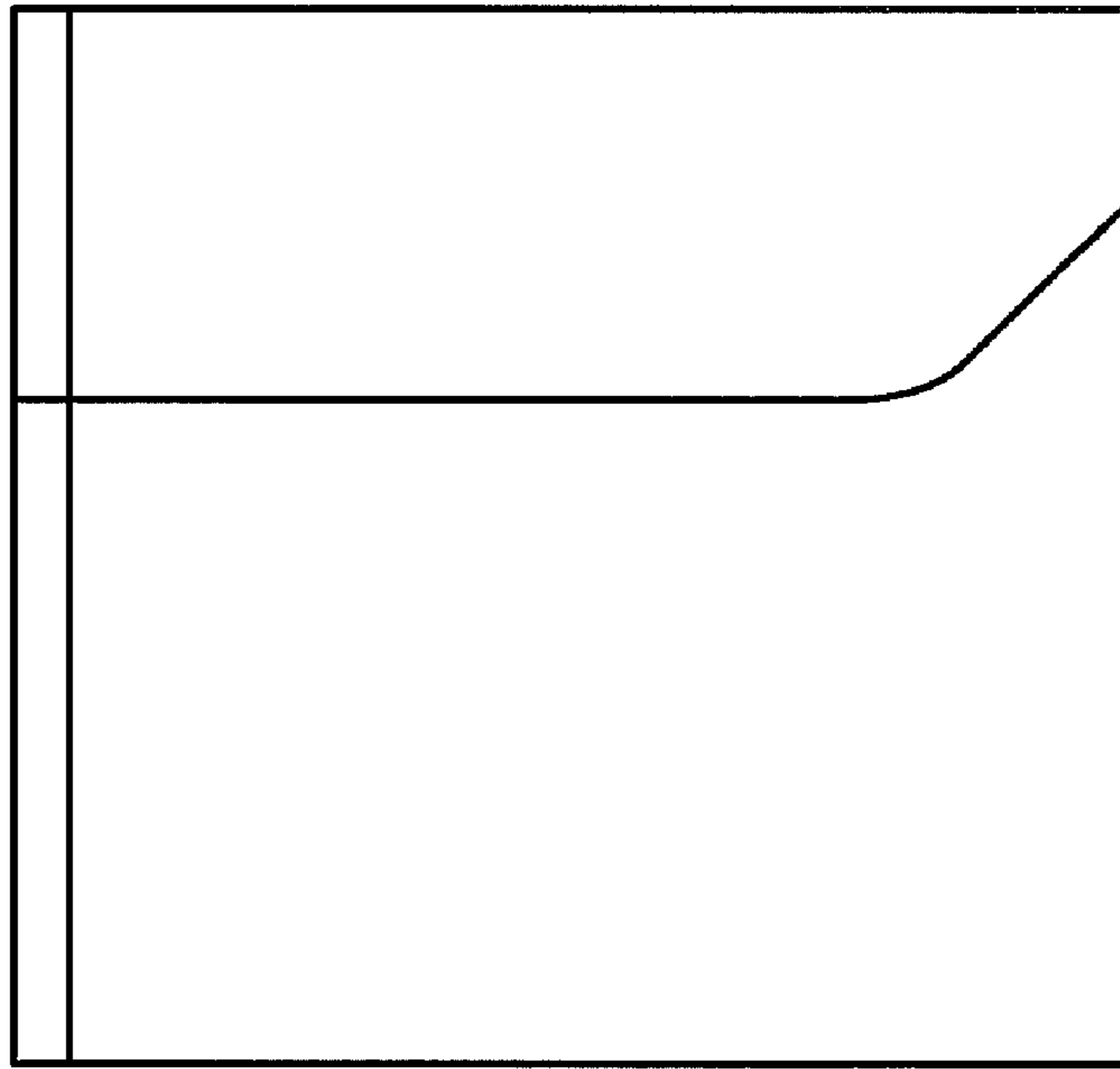


FIG. 77

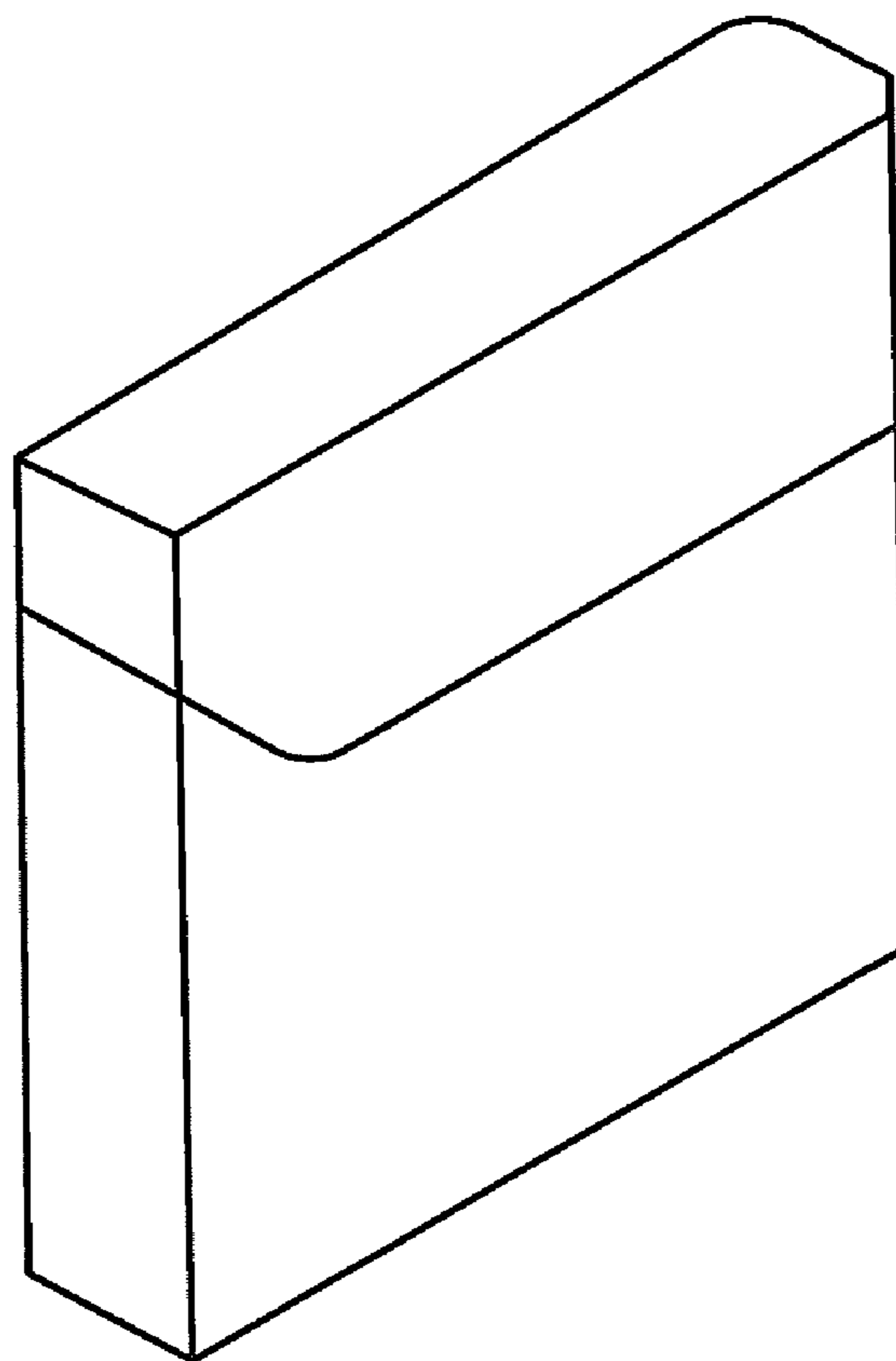


FIG. 71



FIG. 72

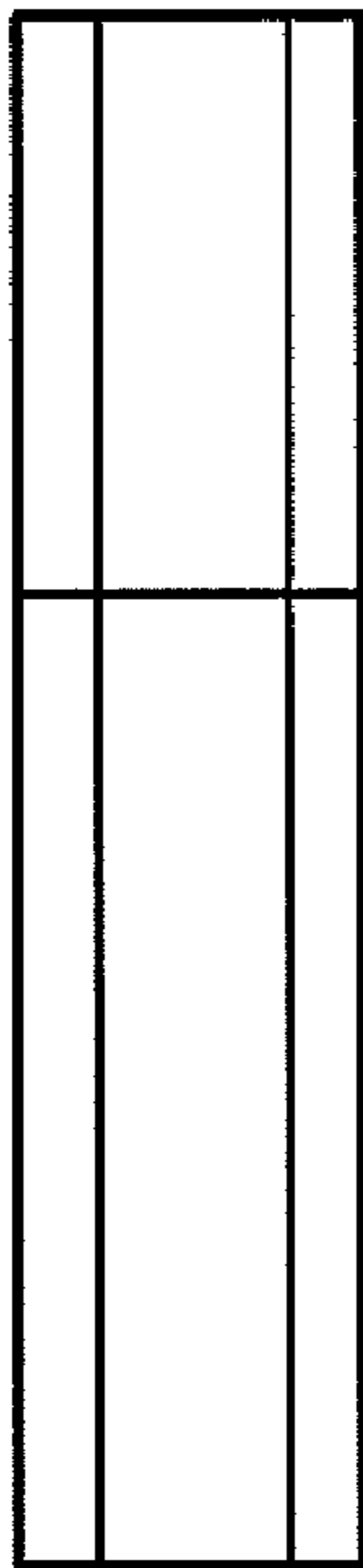


FIG. 73

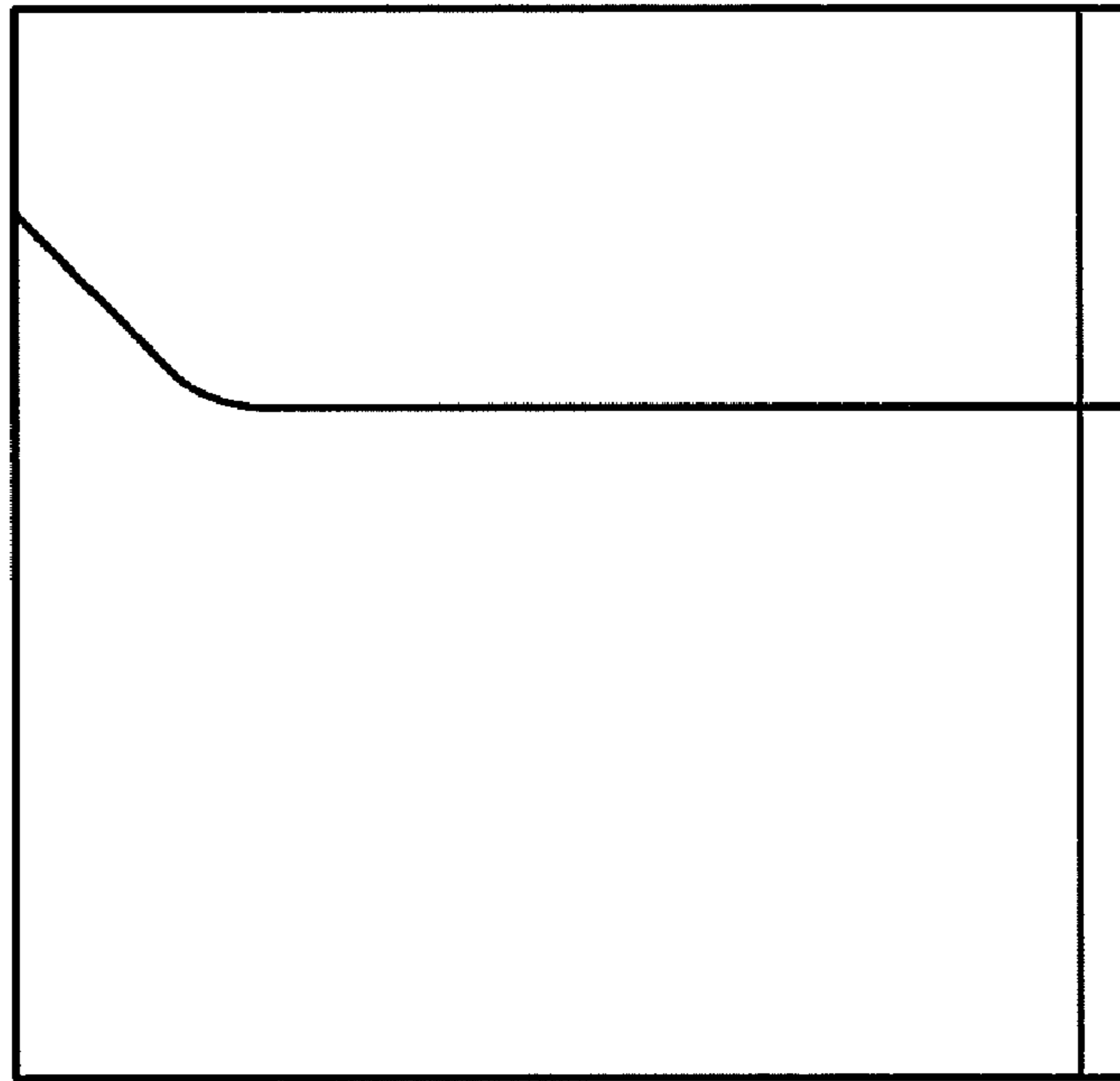


FIG. 74



FIG. 75



FIG. 83

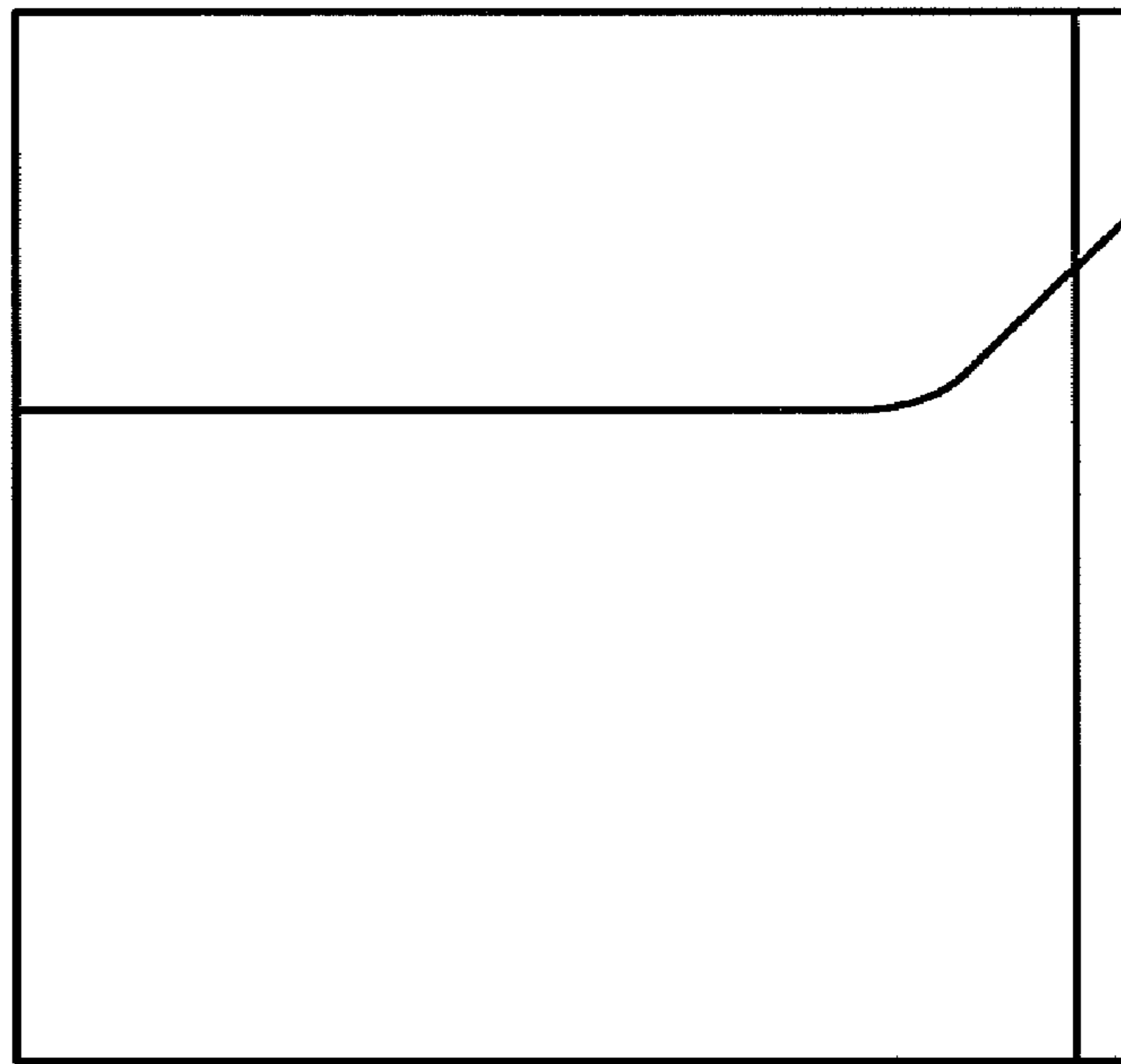
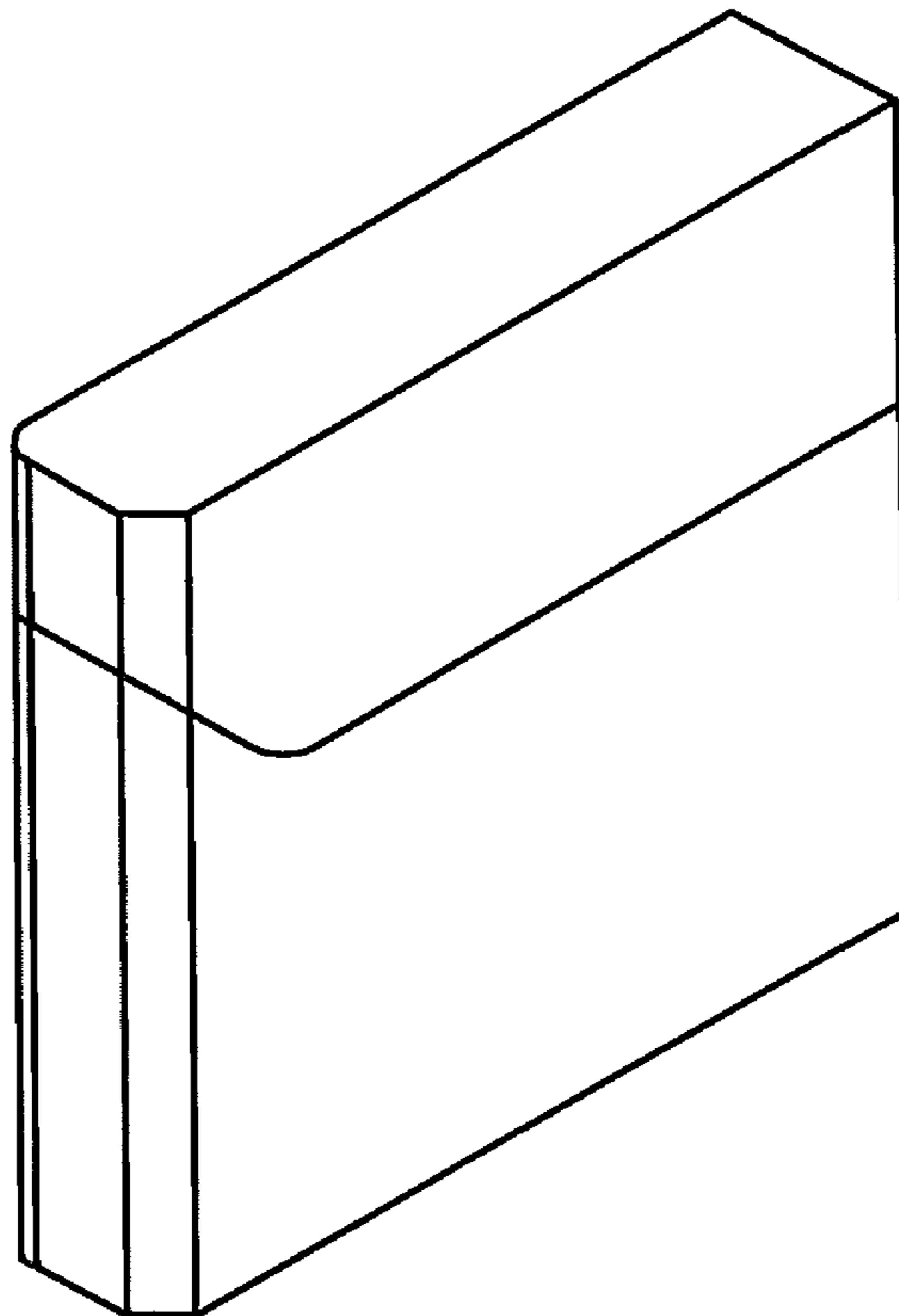


FIG. 84

FIG. 78



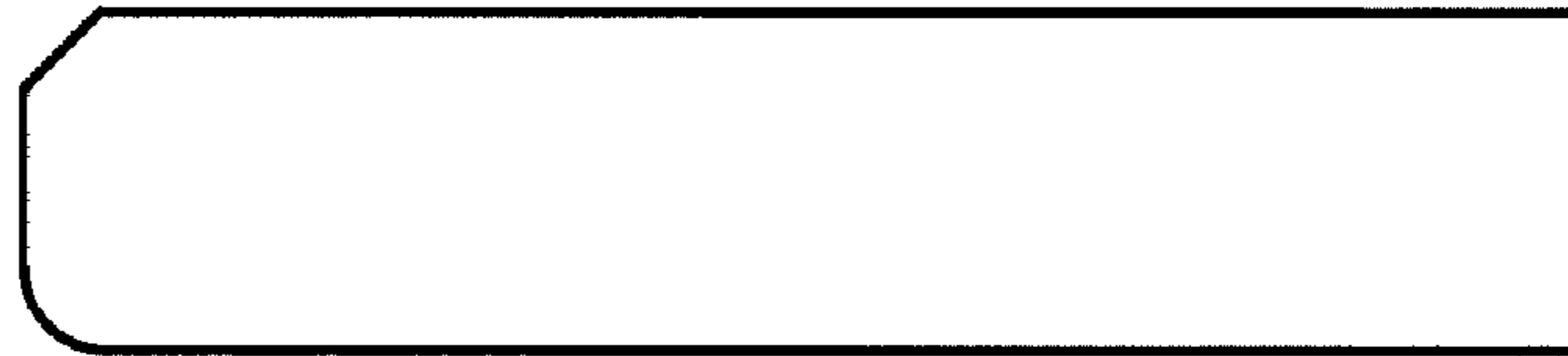


FIG. 79

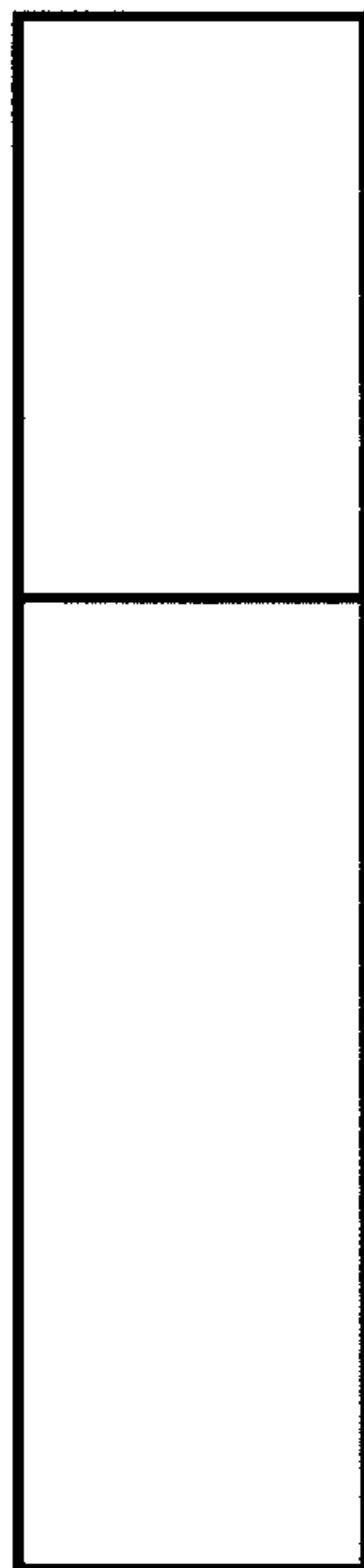


FIG. 80

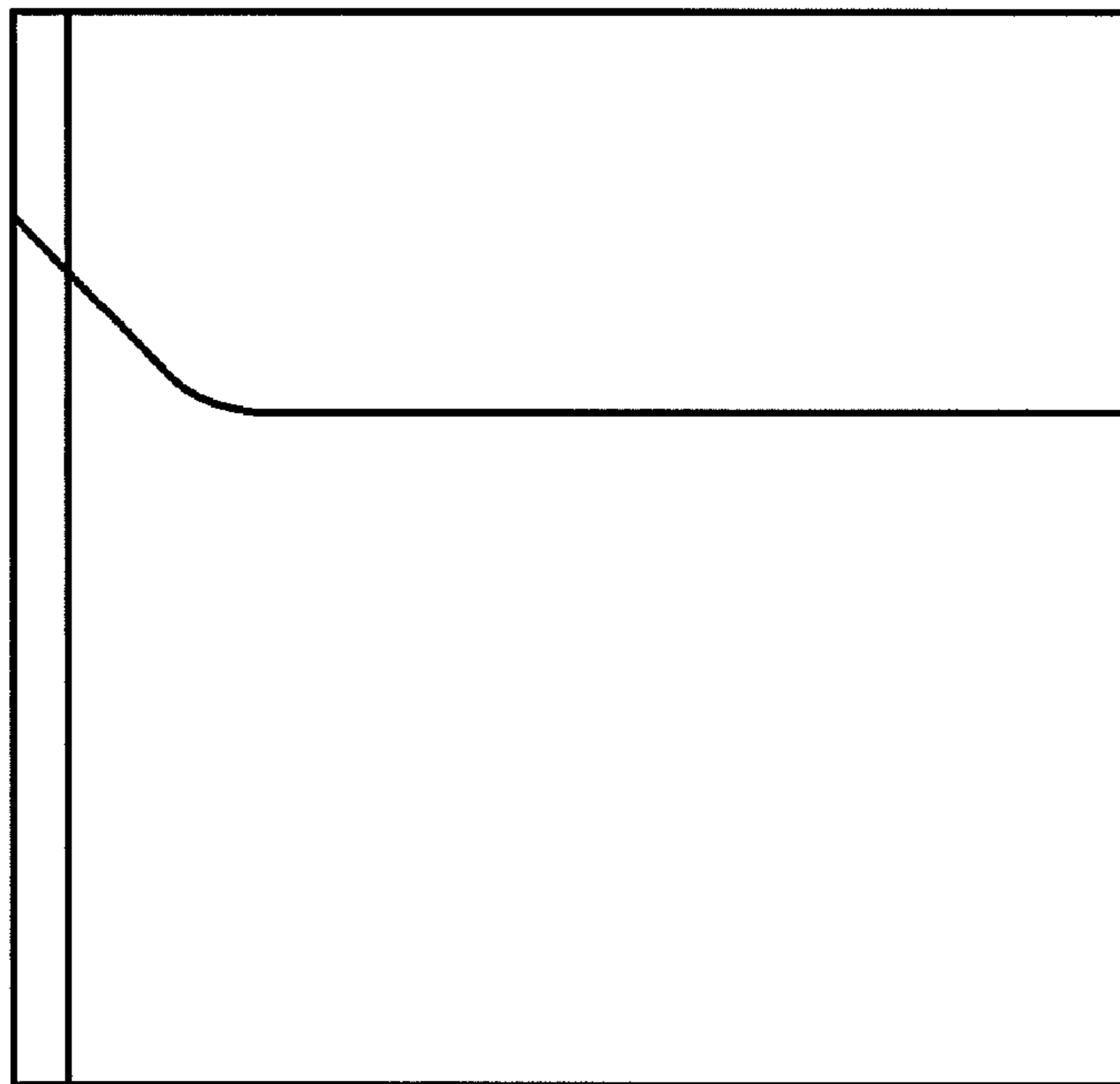


FIG. 81

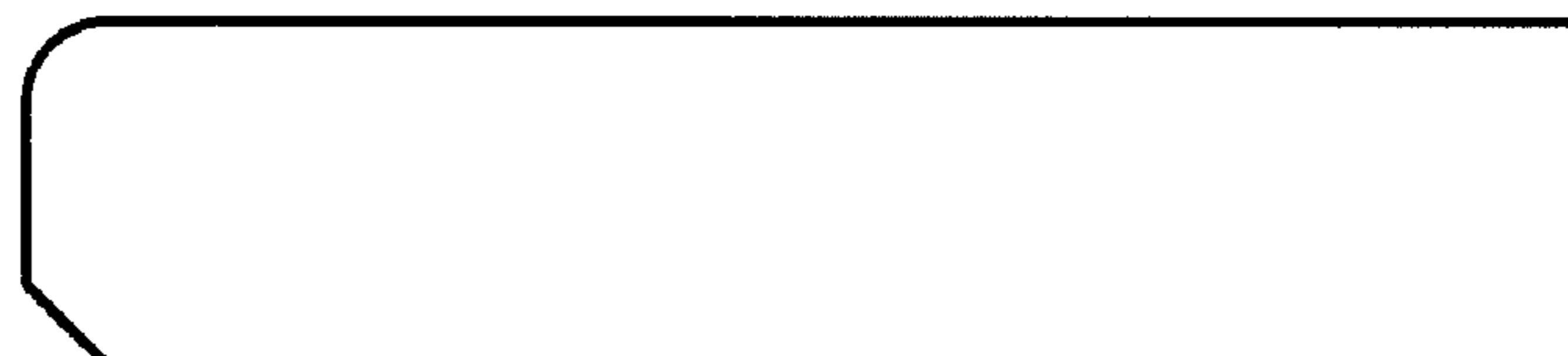


FIG. 82

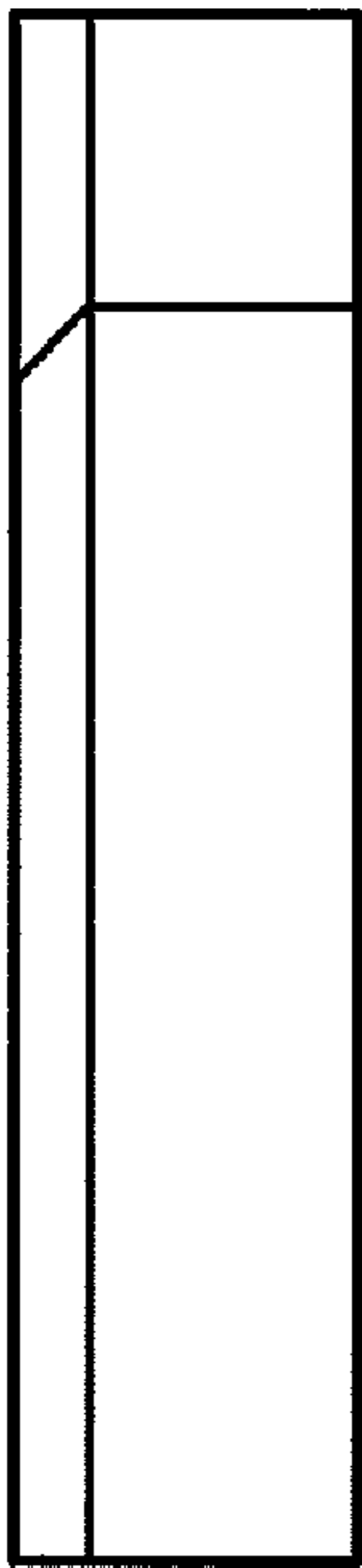


FIG. 90

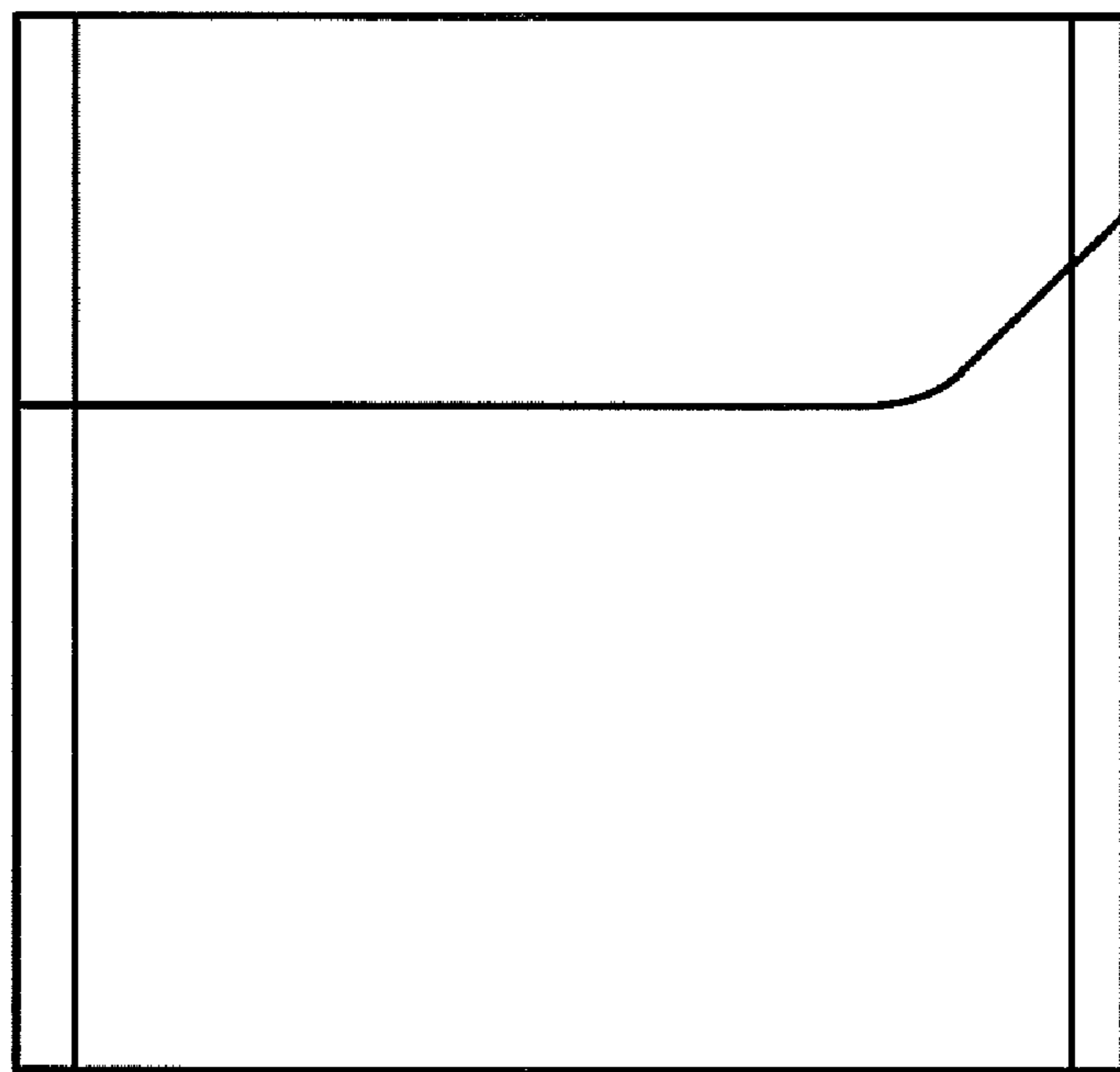
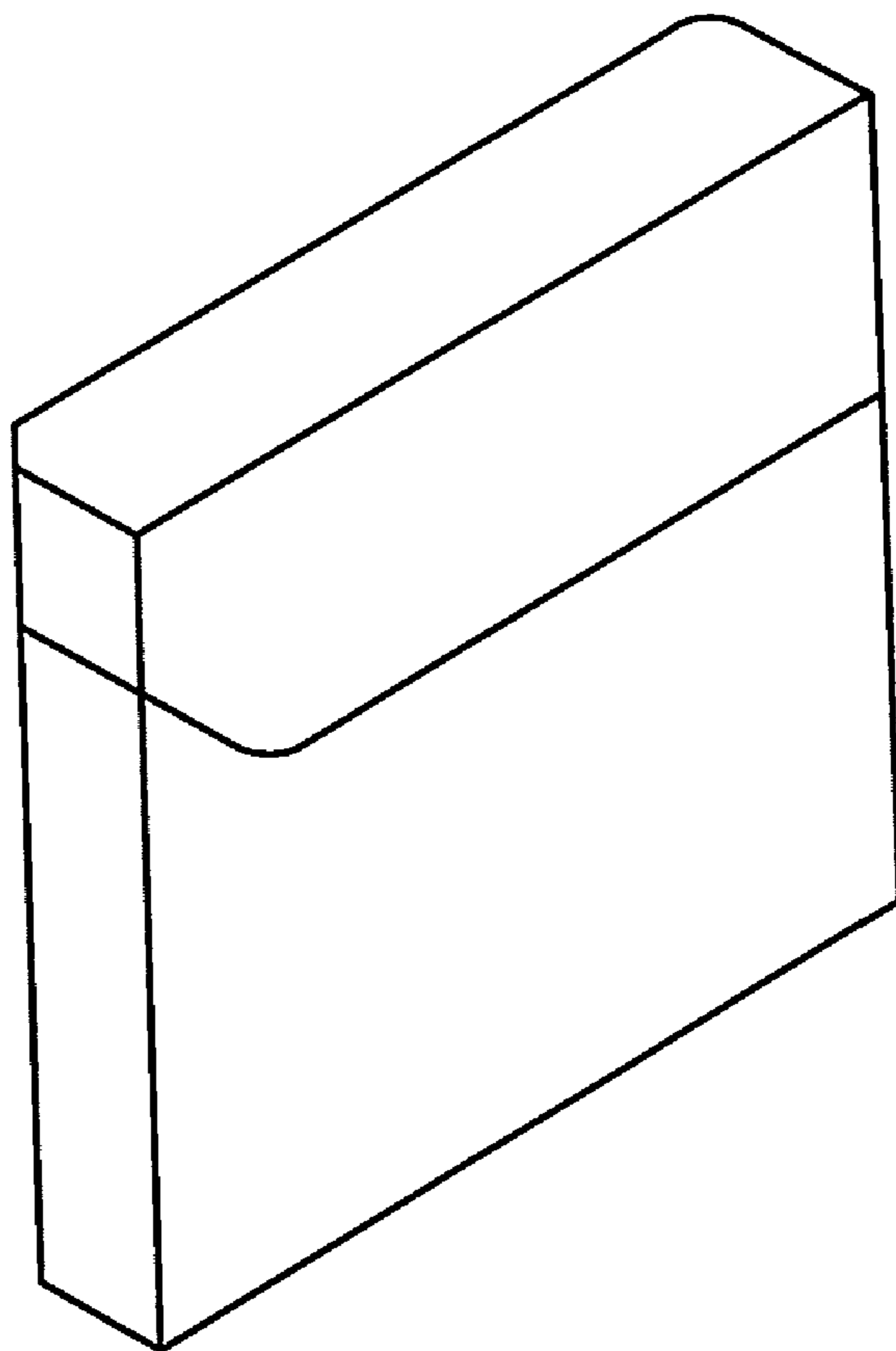


FIG. 91

FIG. 85



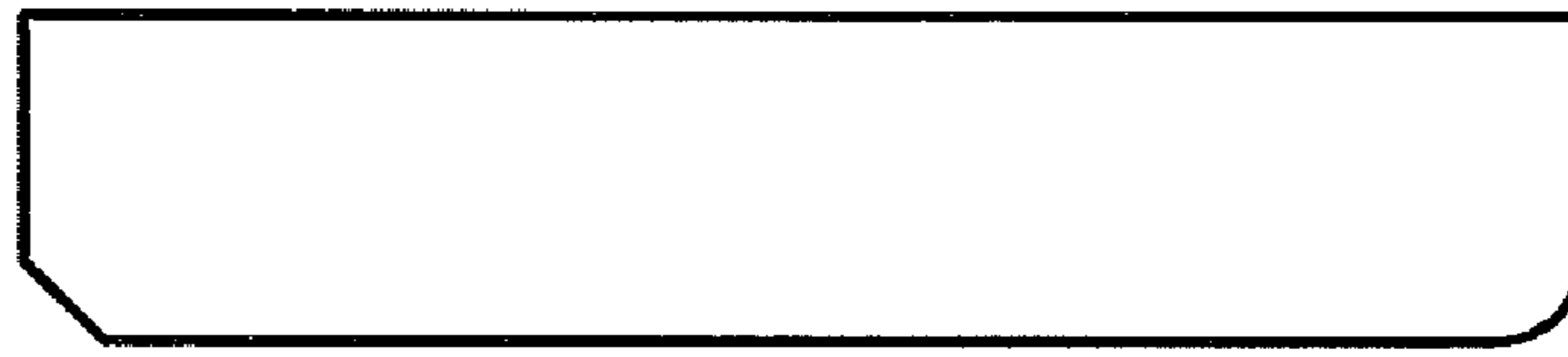


FIG. 86

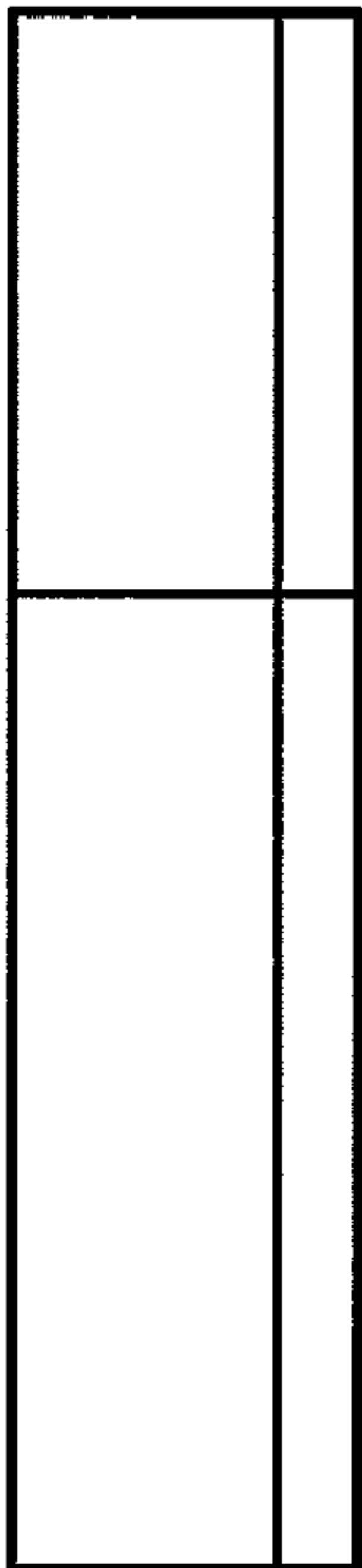


FIG. 87

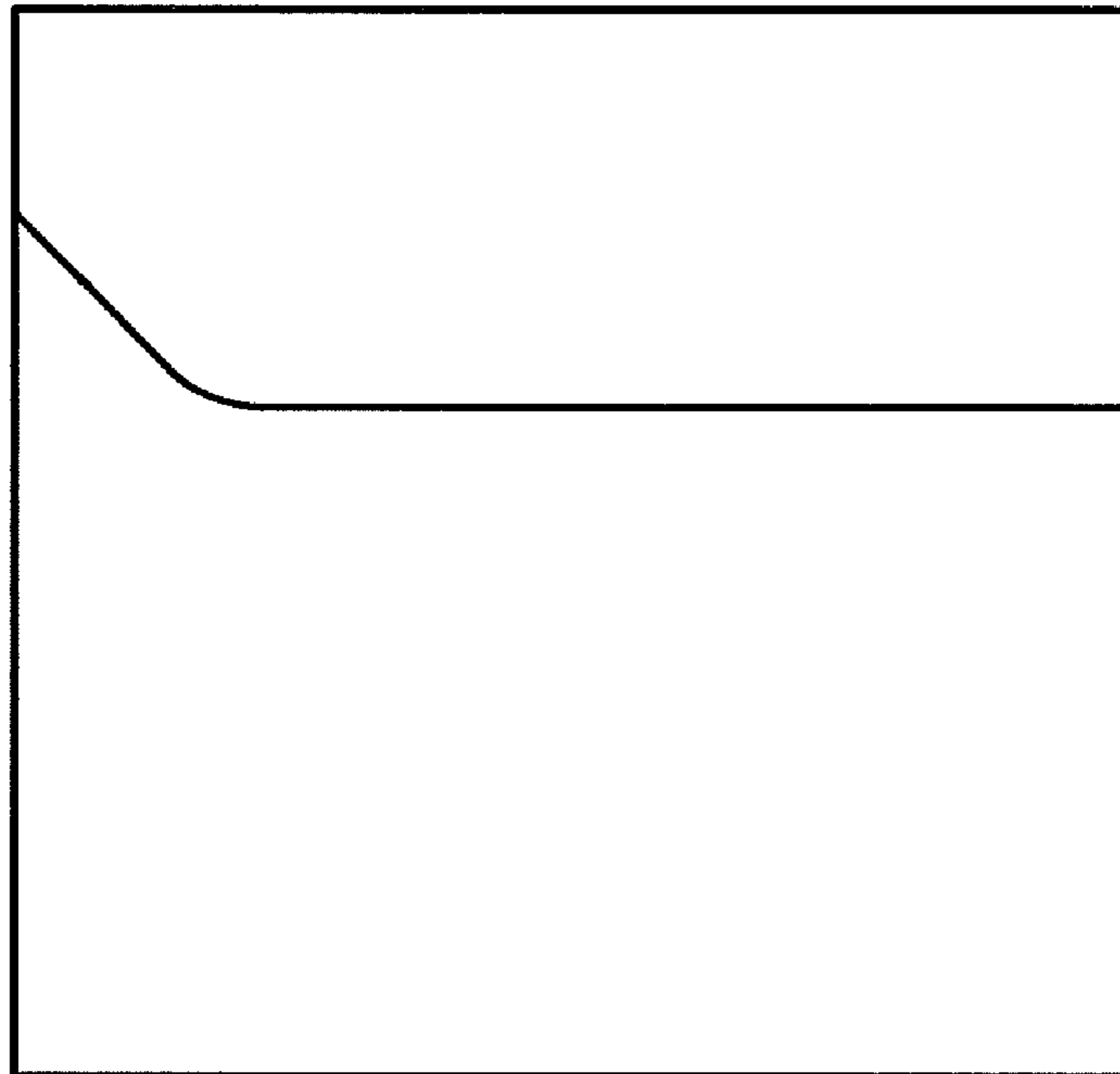


FIG. 88



FIG. 89