



US00D624814S

(12) **United States Design Patent**
Hoppner et al.

(10) **Patent No.:** **US D624,814 S**
(45) **Date of Patent:** **** Oct. 5, 2010**

(54) **PACKAGED TRANSACTION CARD**

(75) Inventors: **Julie E. Hoppner**, Minneapolis, MN (US); **Abby L. Meyerson**, Brooklyn, NY (US); **Ted C. Halbur**, Lino Lakes, MN (US); **Robert W. Ash**, Andover, MN (US)

(73) Assignee: **Target Brands, Inc.**, Minneapolis, MN (US)

(**) Term: **14 Years**

(21) Appl. No.: **29/346,477**

(22) Filed: **Oct. 31, 2009**

(51) **LOC (9) Cl.** **09-03**

(52) **U.S. Cl.** **D9/415; D9/422**

(58) **Field of Classification Search** D9/702, D9/703, 705, 707, 709, 715, 722, 414, 415, D9/418, 421, 432, 433, 457; 383/103, 107, 383/84, 100, 108; 229/200, 92.8, 87.06; 426/106; 206/308.1, 449, 454, 555, 756, 206/762; 235/380, 486, 487; 283/107, 51, 283/57, 61, 62, 74; 40/124.01, 124.06, 124.191, 40/638, 43; 53/460; D19/9, 10

See application file for complete search history.

(56) **References Cited**

U.S. PATENT DOCUMENTS

D263,449	S	*	3/1982	Jarund	D9/415
D320,159	S	*	9/1991	Wallach	D9/415
5,740,915	A	*	4/1998	Williams	206/555
D394,387	S	*	5/1998	Williams	D9/433
5,791,474	A	*	8/1998	Hansen	206/449
D405,116	S		2/1999	Anderson, II		
6,109,439	A	*	8/2000	Goade, Sr.	206/454
6,543,809	B1	*	4/2003	Kistner et al.	283/57
D479,688	S	*	9/2003	Kumakura et al.	D9/457
D540,665	S	*	4/2007	Gupta et al.	D9/732
D559,905	S	*	1/2008	Halbur et al.	D19/9
D565,404	S	*	4/2008	Doherty	D9/709
D599,849	S	*	9/2009	Halbur et al.	D19/10
2009/0152366	A1		6/2009	Anderson, II et al.		

OTHER PUBLICATIONS

"Identification/Credit/Debit Card," U.S. Appl. No. 29/286,082, filed Apr. 23, 2007 and Replacement Drawings as filed on Apr. 29, 2008.

Swensons, www.swensonsdriveins.com/gifts.htm, available at least as early as Apr. 6, 2001 per the Internet archive available at www.archive.org.

* cited by examiner

Primary Examiner—Daniel D Bui

Assistant Examiner—Thomas J Johannes

(74) *Attorney, Agent, or Firm*—Griffiths & Seaton PLLC

(57) **CLAIM**

The ornamental design for a packaged transaction card, as shown and described.

DESCRIPTION

FIG. 1 is a front, perspective view of a packaged transaction card showing a first embodiment of our new design;

FIG. 2 is a front view thereof;

FIG. 3 is a rear view thereof;

FIG. 4 is a top view thereof;

FIG. 5 is a bottom view thereof;

FIG. 6 is a right side view thereof, the left side view being a mirror image of the right side view; and

FIG. 7 is an enlarged midportion of the right side view of FIG. 6.

FIG. 8 is a front, perspective view of a packaged transaction card showing a second embodiment of our new design;

FIG. 9 is a front view thereof;

FIG. 10 is a rear view thereof;

FIG. 11 is a top view thereof;

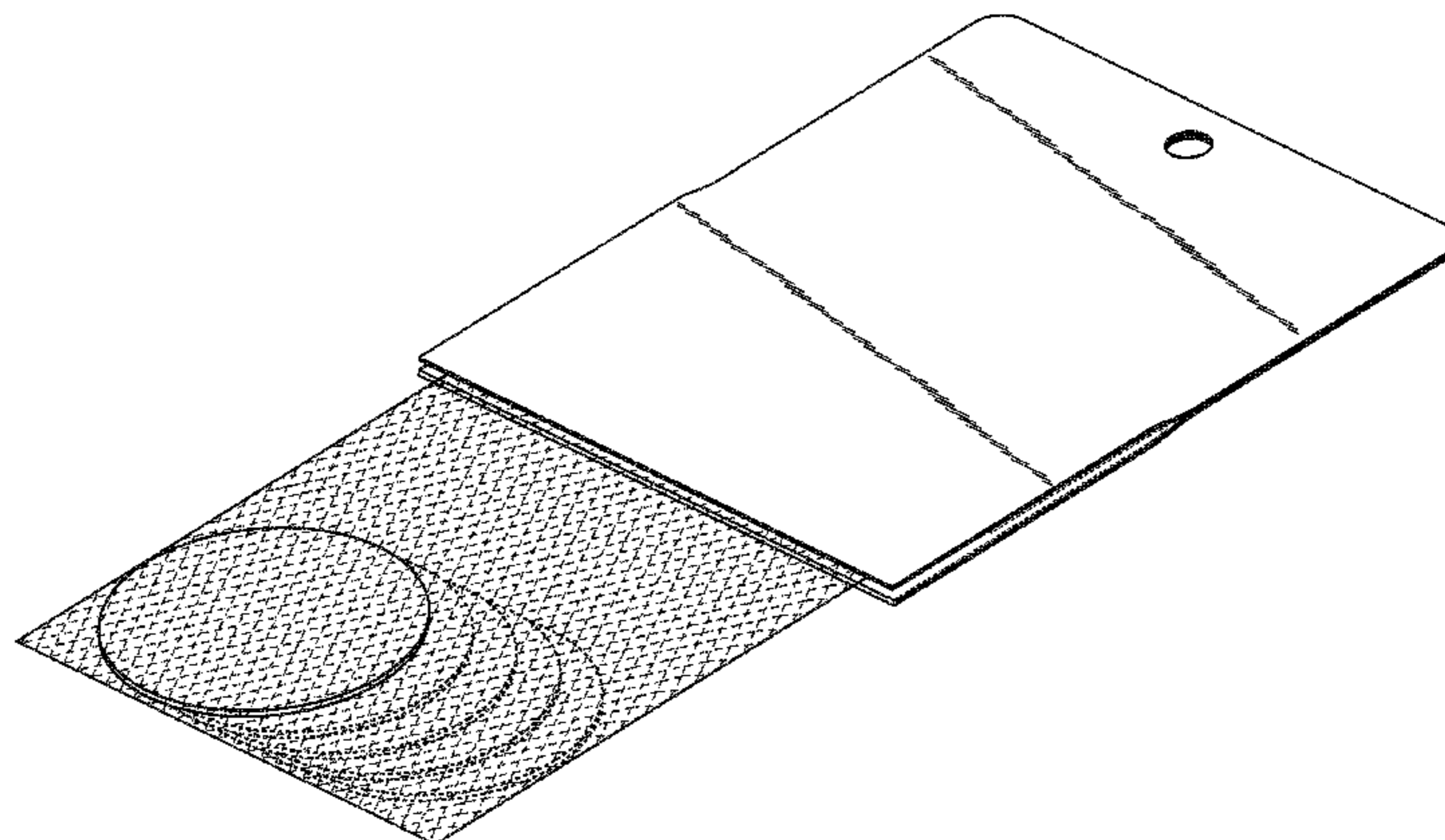
FIG. 12 is a bottom view thereof;

FIG. 13 is a right side view thereof, the left side view being a mirror image of the right side view; and,

FIG. 14 is an enlarged midportion of the right side view of FIG. 13.

The features shown in broken lines depict environmental and related subject matter only and form no part of the claimed design.

1 Claim, 12 Drawing Sheets



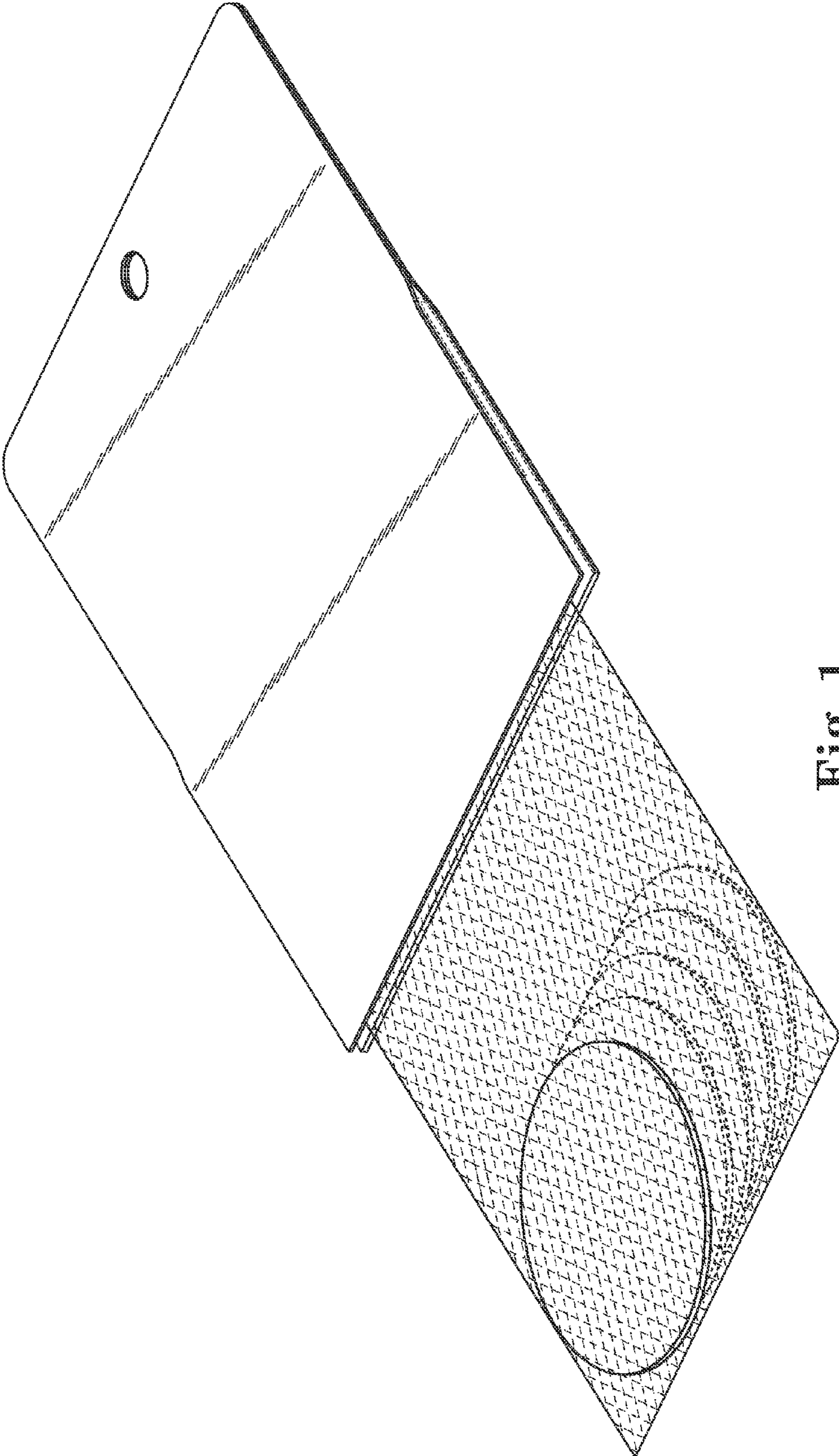


Fig. 1

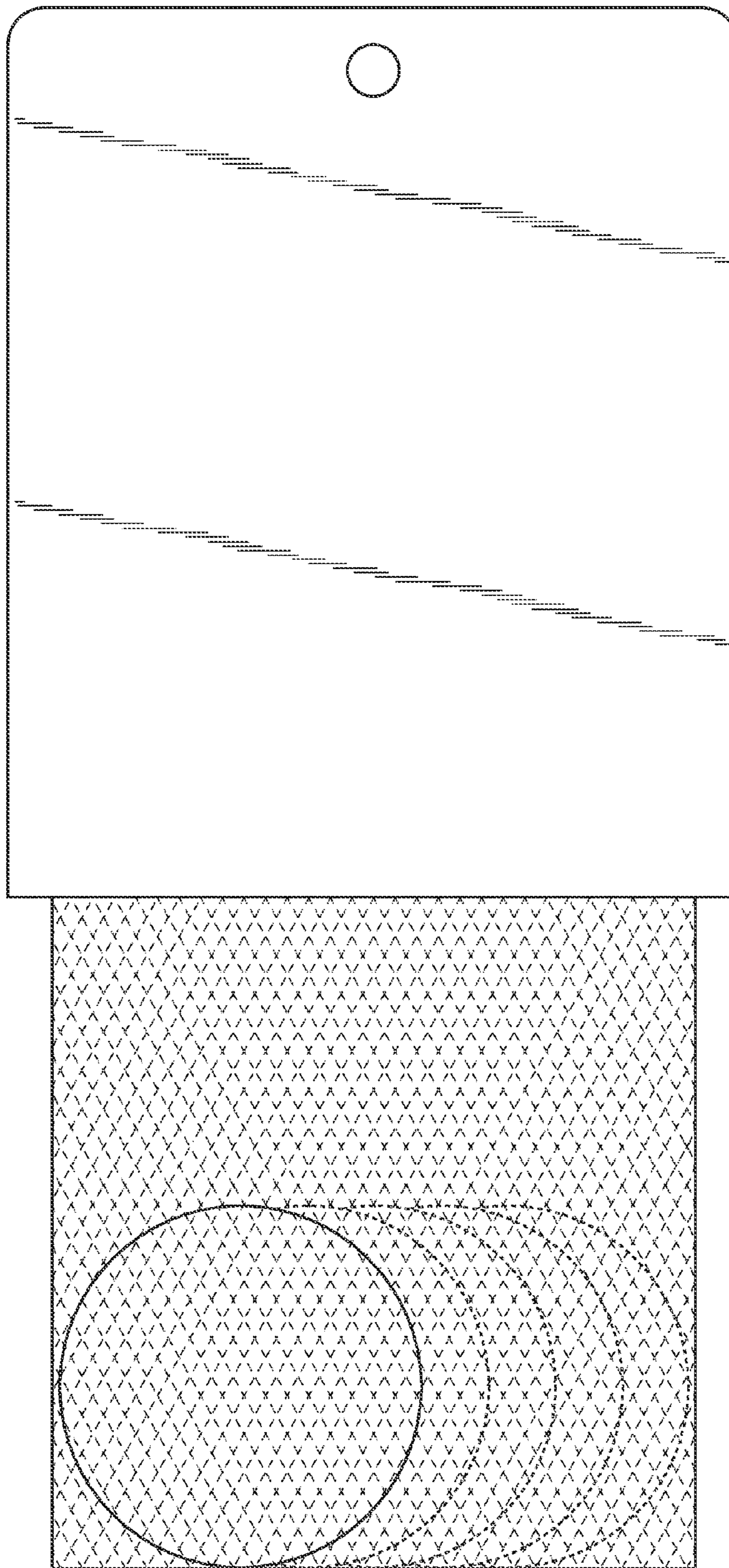


Fig. 2

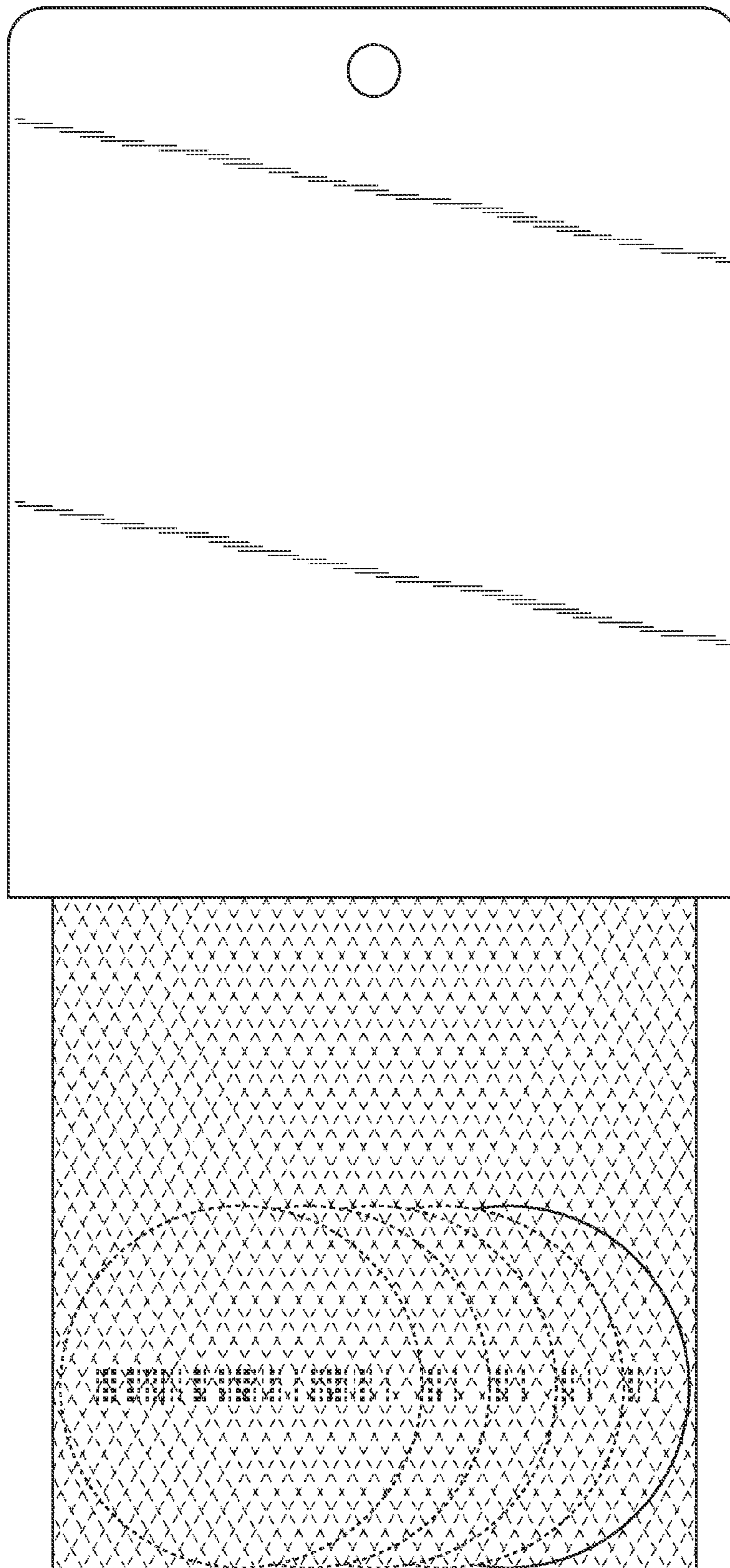


Fig. 3

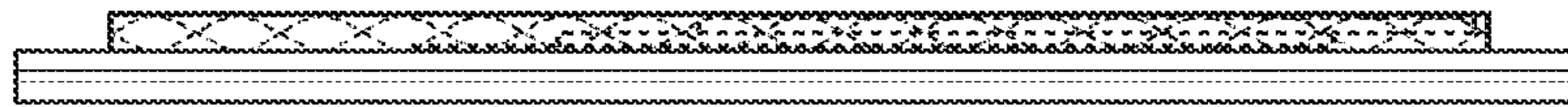


Fig. 4



Fig. 5

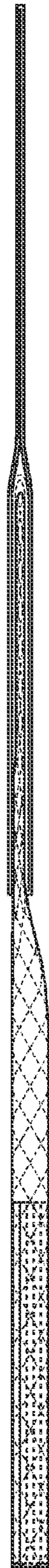


Fig. 6

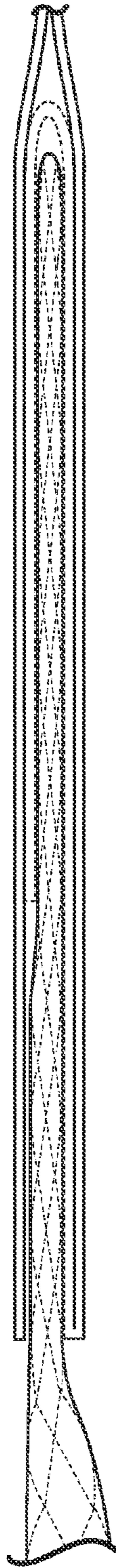


Fig. 7

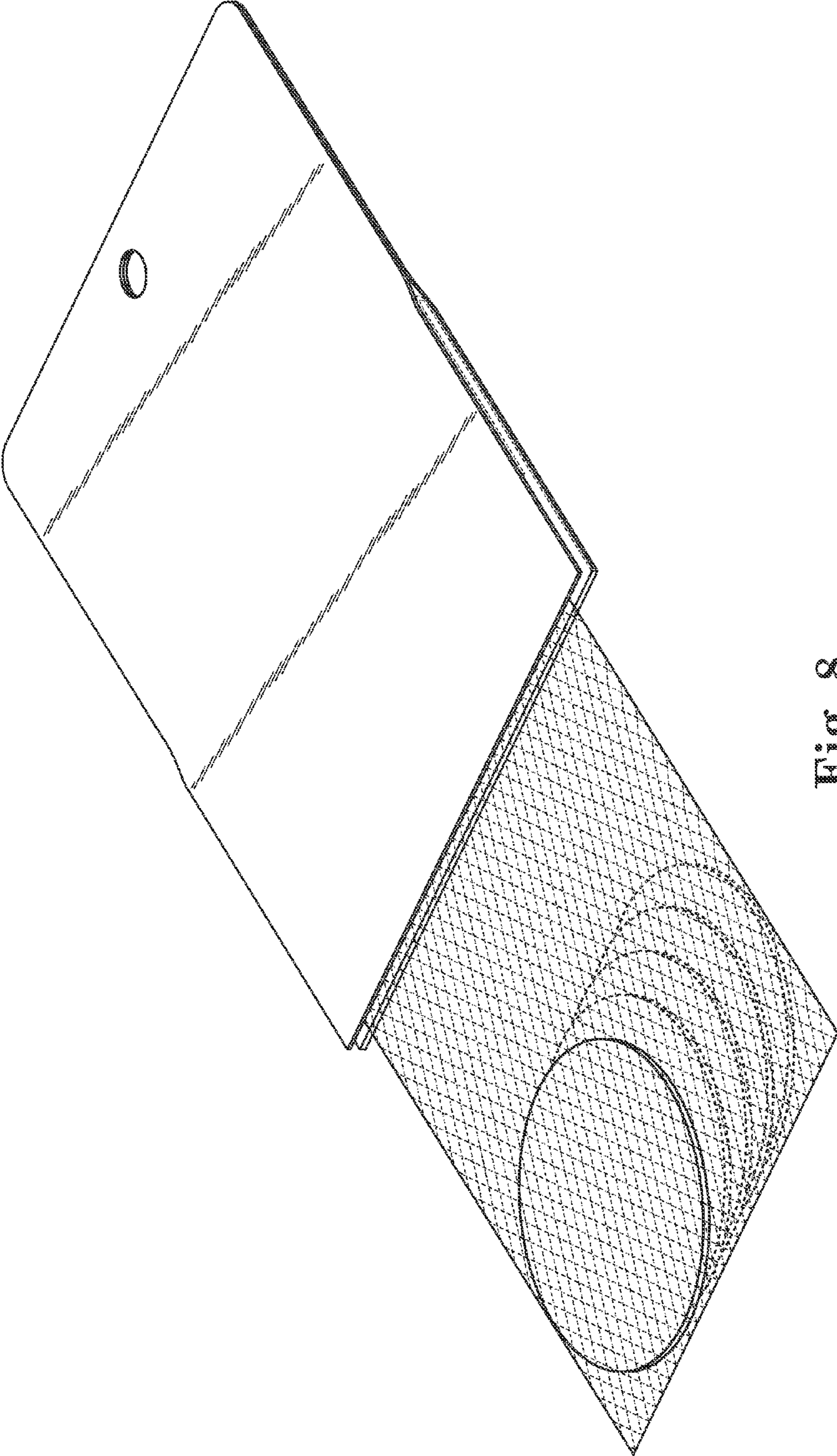


Fig. 8

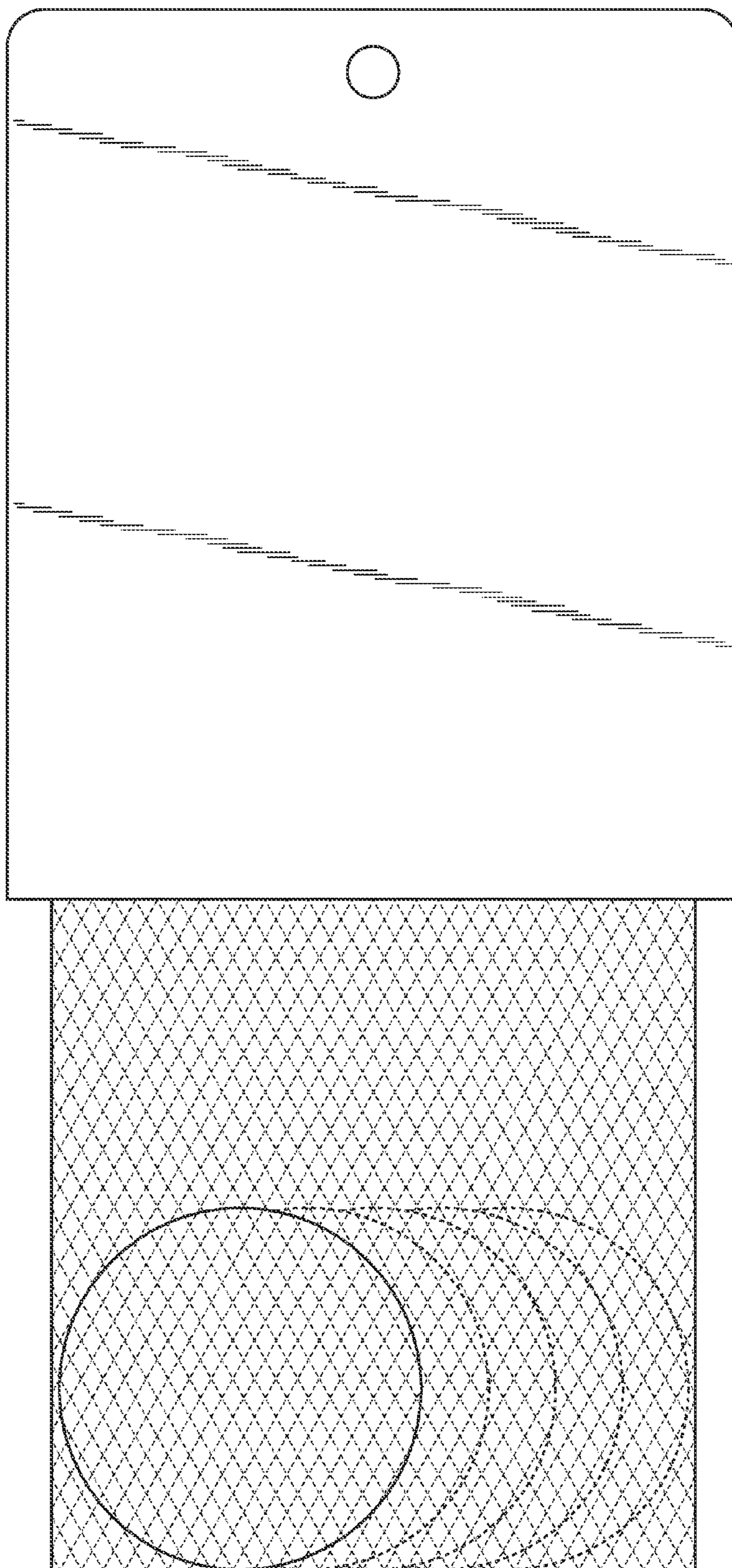


Fig. 9

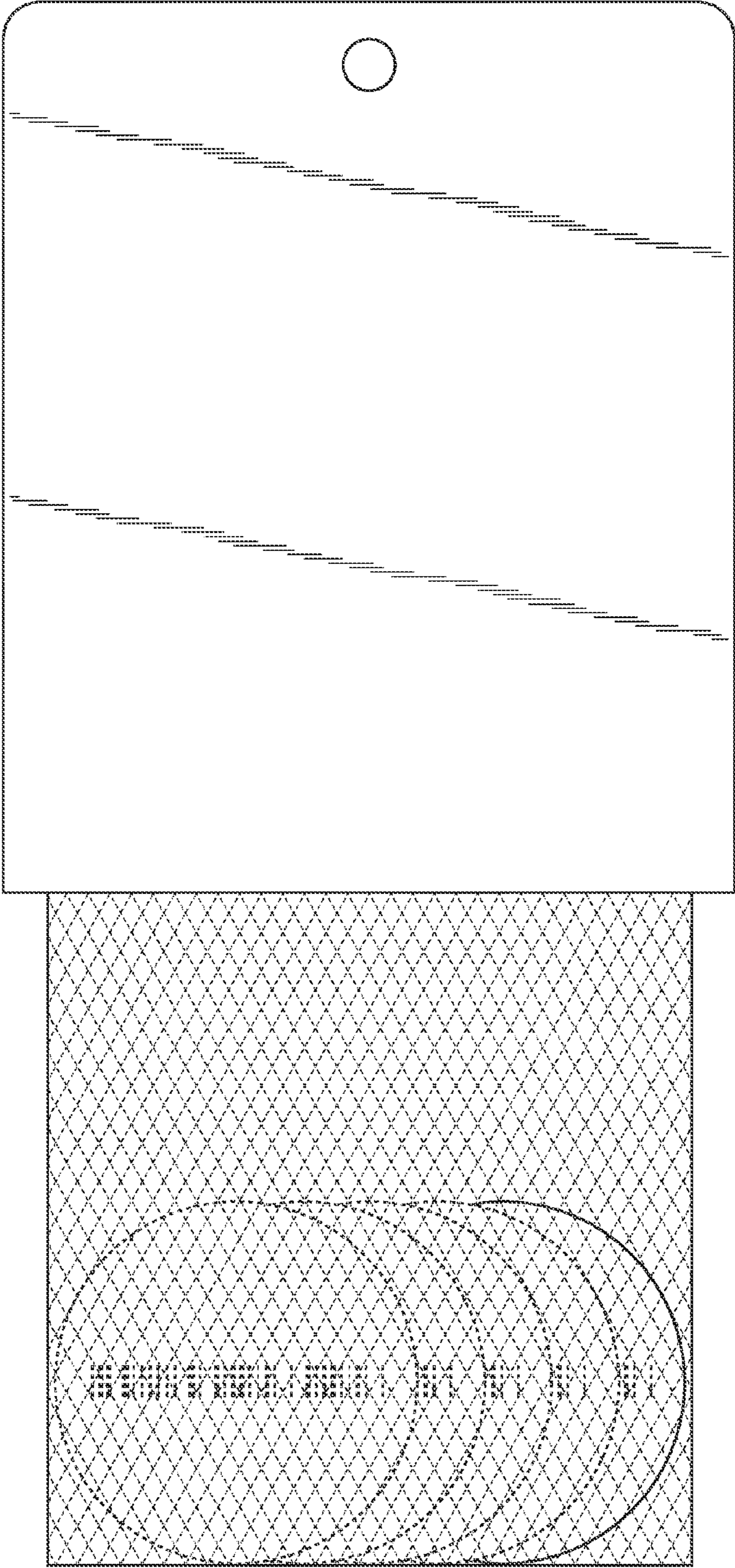


Fig. 10

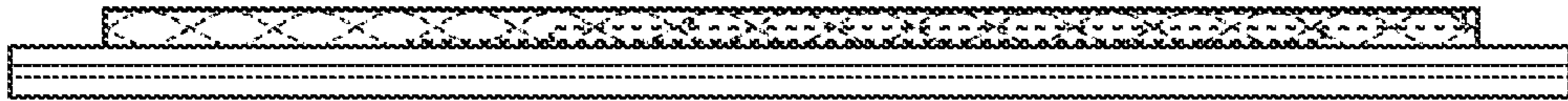


Fig. 11



Fig. 12



Fig. 13

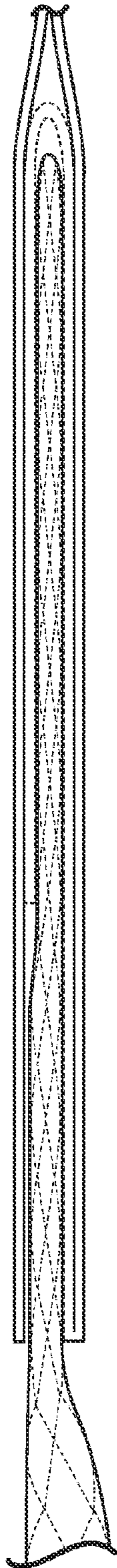


Fig. 14