



US00D624811S

(12) **United States Design Patent**  
**Wakabayashi**

(10) **Patent No.:** **US D624,811 S**  
(45) **Date of Patent:** **\*\* Oct. 5, 2010**

(54) **BAND CLIP**

(75) Inventor: **Yasuki Wakabayashi**, Yokohama (JP)

(73) Assignee: **Kabushiki Kaisha Piolax** (JP)

(\*\*) Term: **14 Years**

(21) Appl. No.: **29/285,879**

(22) Filed: **Apr. 14, 2007**

(30) **Foreign Application Priority Data**

Oct. 13, 2006 (JP) ..... 2006-027761

(51) **LOC (9) Cl.** ..... **08-03**

(52) **U.S. Cl.** ..... **D8/396**

(58) **Field of Classification Search** ..... D8/356,  
D8/383, 394-396; 24/16 PB, 17 AP, 30.5 P,  
24/30.5 S, 300-302, 339, DIG. 16; 248/58,  
248/60, 74.3, 71; 70/16; 128/878

See application file for complete search history.

(56) **References Cited**

**U.S. PATENT DOCUMENTS**

- 4,735,387 A \* 4/1988 Hirano et al. .... 248/71
- 4,875,647 A \* 10/1989 Takagi et al. .... 248/74.3
- D305,099 S \* 12/1989 Naruse et al. .... D8/396
- 4,944,475 A \* 7/1990 Ono et al. .... 248/71
- 5,131,613 A \* 7/1992 Kamiya et al. .... 248/74.3
- 5,231,246 A \* 7/1993 Benson et al. .... 174/351
- D372,665 S \* 8/1996 Kim ..... D8/396
- 5,601,261 A \* 2/1997 Koike ..... 248/71
- 5,957,165 A \* 9/1999 Watanabe et al. .... 140/123.6

- 6,749,157 B2 \* 6/2004 Takeuchi ..... 248/71
- 6,764,050 B2 \* 7/2004 Takenaga ..... 248/71
- 6,809,257 B2 \* 10/2004 Shibuya ..... 174/481
- D520,865 S \* 5/2006 Wakabayashi ..... D8/396
- 7,229,052 B2 \* 6/2007 Takeuchi ..... 248/71
- 2003/0075647 A1 \* 4/2003 Takenaga ..... 248/71
- 2004/0182973 A1 \* 9/2004 Kawai ..... 248/71
- 2006/0180718 A1 \* 8/2006 Harrison ..... 248/74.2
- 2006/0239796 A1 \* 10/2006 Franks ..... 411/455
- 2007/0266531 A1 \* 11/2007 Krisel ..... 24/16 PB

\* cited by examiner

*Primary Examiner*—Cathron C Brooks

*Assistant Examiner*—John Windmuller

(74) *Attorney, Agent, or Firm*—Saidman DesignLaw Group

(57) **CLAIM**

The ornamental design for a band clip, as shown and described.

**DESCRIPTION**

FIG. 1 is a front view of a band clip showing my new design;

FIG. 2 is a top view thereof;

FIG. 3 is a bottom view thereof;

FIG. 4 is a right-side view thereof;

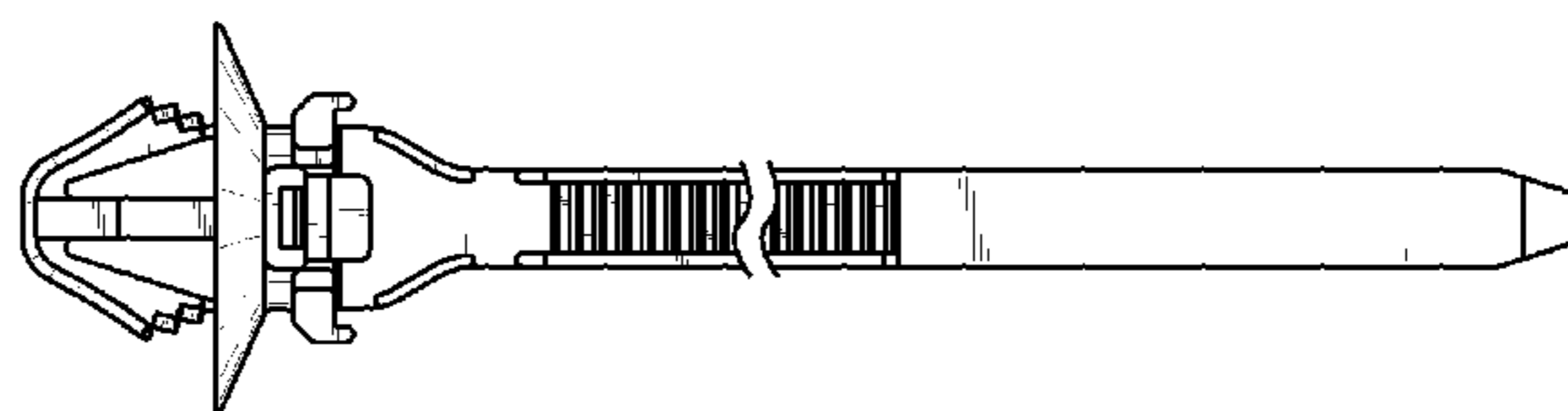
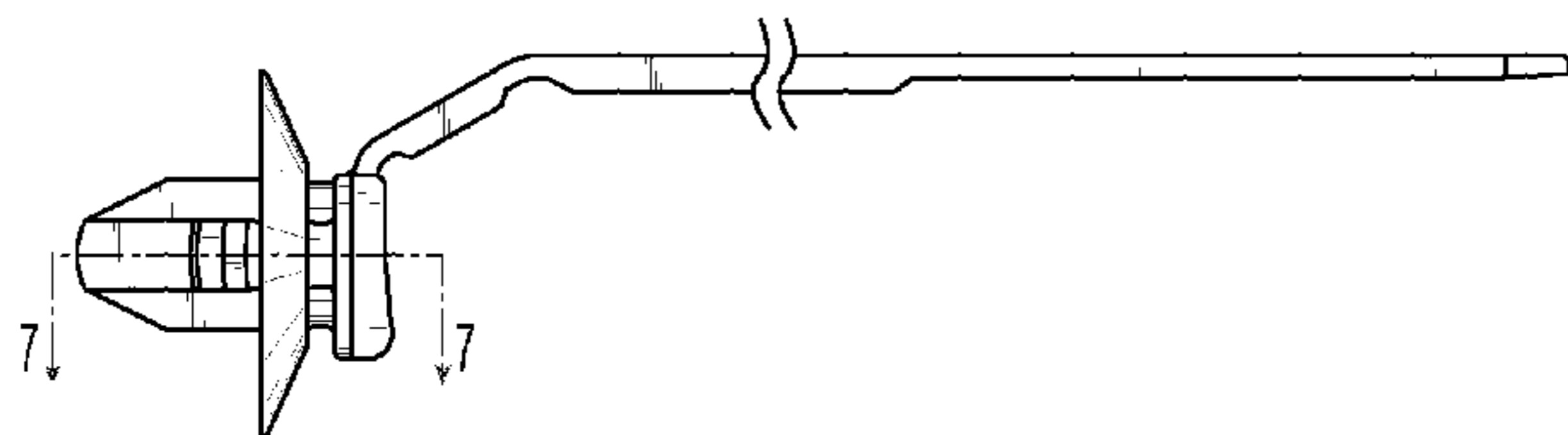
FIG. 5 is a left-side view thereof;

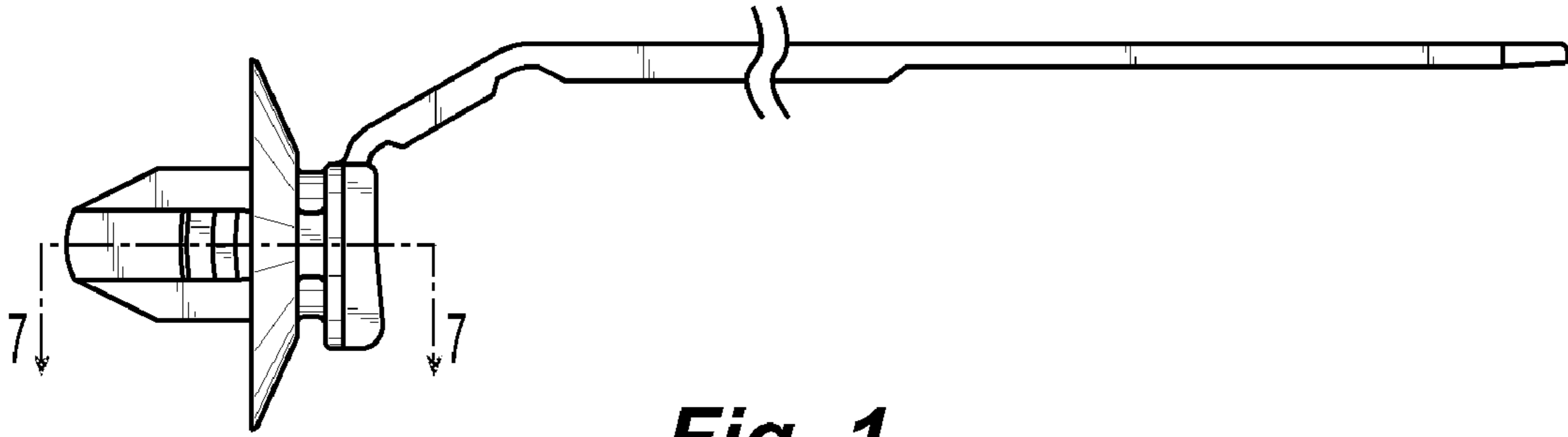
FIG. 6 is a sectional view taken along line 6—6 of FIG. 2; and,

FIG. 7 is a sectional view taken along line 7—7 of FIG. 1.

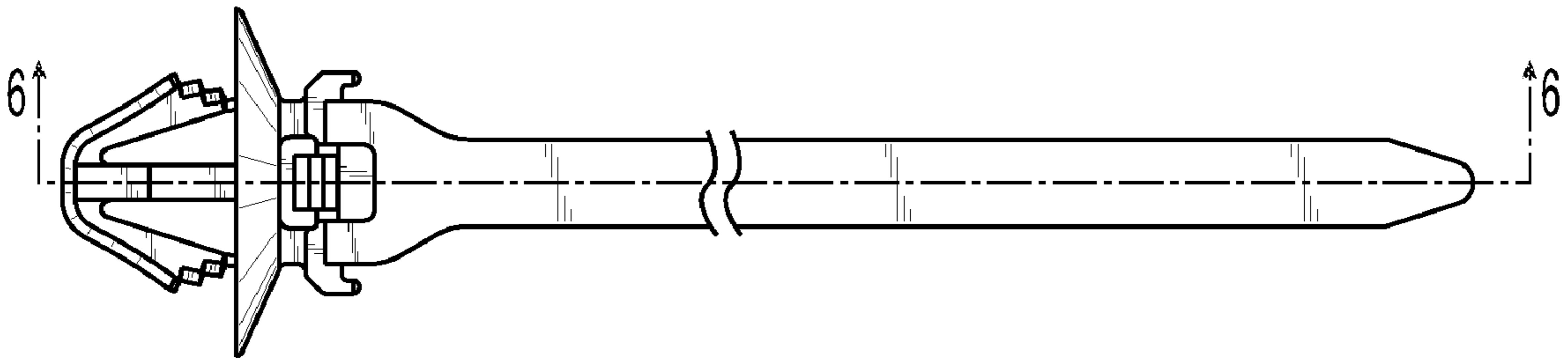
The band clip is shown broken away in the middle to indicate that it has no specific length.

**1 Claim, 2 Drawing Sheets**

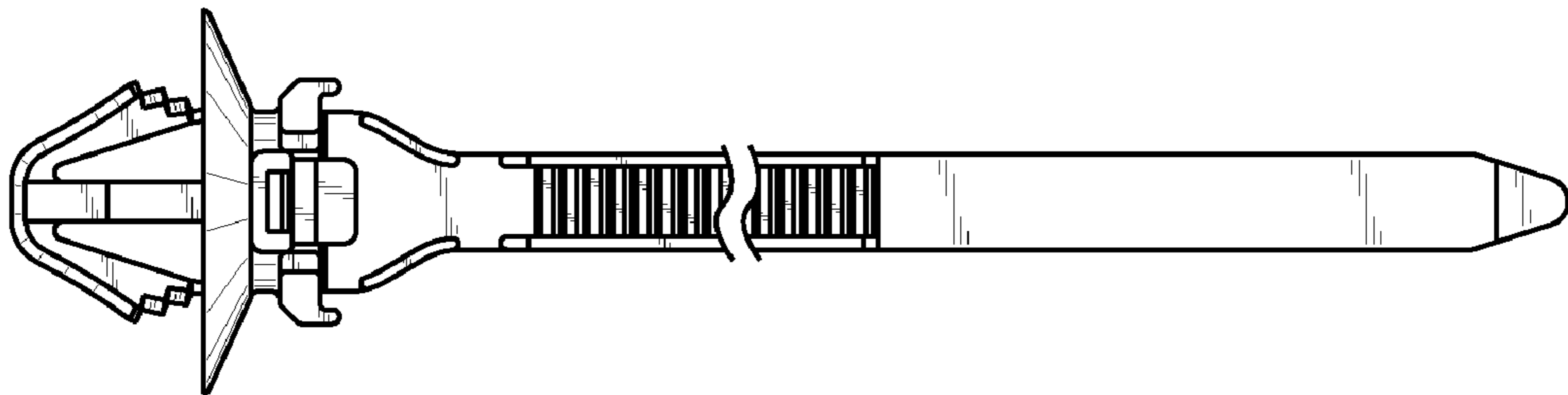




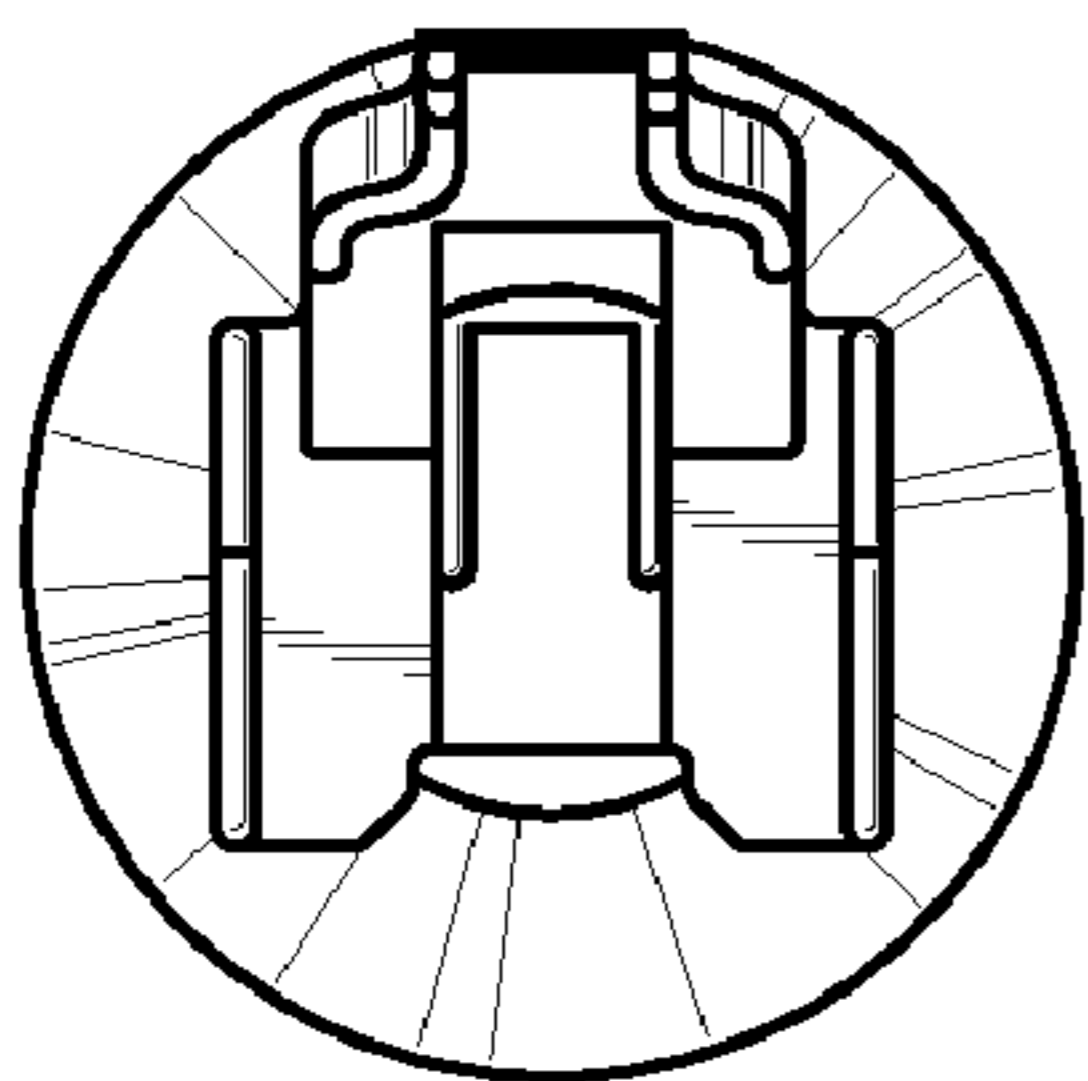
**Fig. 1**



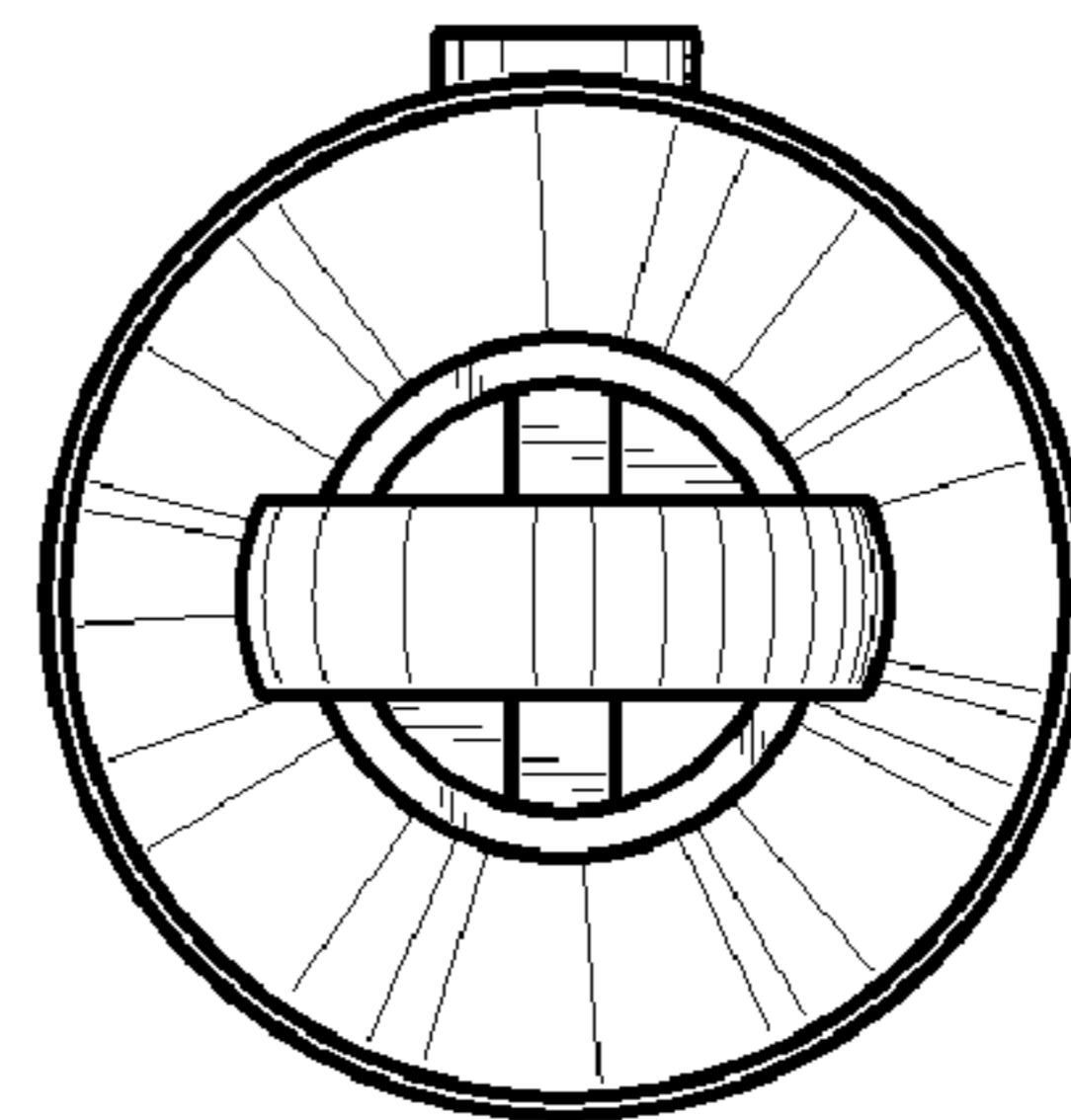
**Fig. 2**



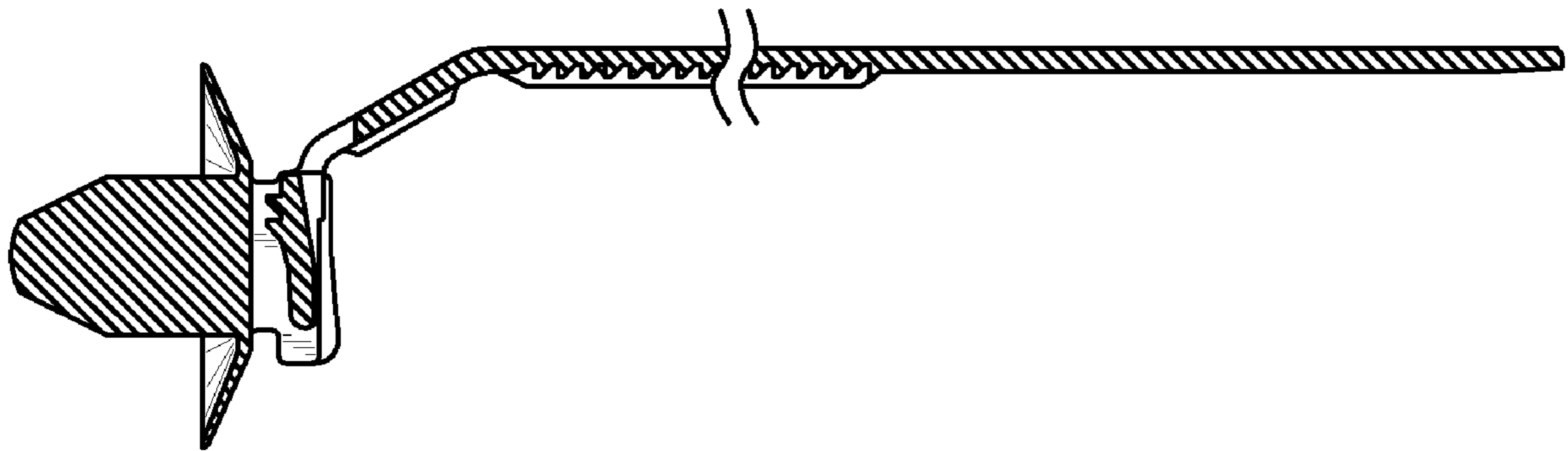
**Fig. 3**



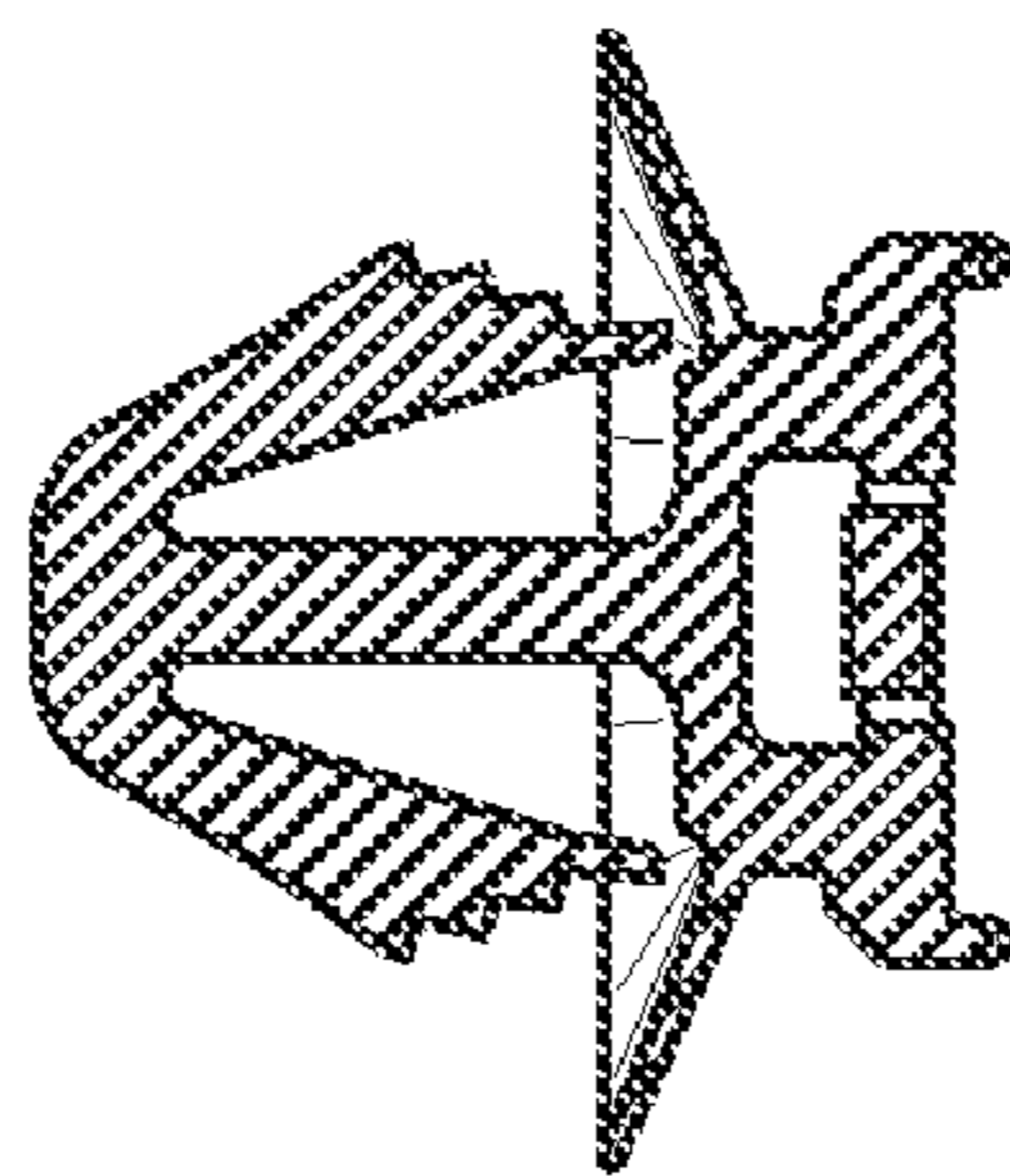
**Fig. 4**



**Fig. 5**



***Fig. 6***



***Fig. 7***