



US00D624810S

(12) **United States Design Patent**
Vosbikian et al.

(10) **Patent No.:** **US D624,810 S**
(45) **Date of Patent:** **** Oct. 5, 2010**

(54) **CENTERING GROUND SPIKE FOR SUPPORTING A VERTICAL POLE**

D572,986 S * 7/2008 Zhu et al. D8/1
7,472,874 B2 * 1/2009 Gross et al. 248/156
D589,336 S * 3/2009 Cosimo D8/388

(75) Inventors: **Peter S. Vosbikian**, Moorestown, NJ (US); **Robert Petner**, Burlington, NJ (US)

* cited by examiner

Primary Examiner—Holly H Baynham

Assistant Examiner—Sheryl Lane

(73) Assignee: **Zenith Innovation LLC**, Delran, NJ (US)

(74) *Attorney, Agent, or Firm*—Stuart M. Goldstein

(**) Term: **14 Years**

(57) **CLAIM**

(21) Appl. No.: **29/316,124**

The ornamental design for a centering ground spike for supporting a vertical pole, as shown and described.

(22) Filed: **Aug. 26, 2009**

DESCRIPTION

(51) **LOC (9) Cl.** **08-08**

FIG. 1 is an isometric view of the centering ground spike of the present invention.

(52) **U.S. Cl.** **D8/391**

FIG. 2 is an elevation view of the centering ground spike of the present invention.

(58) **Field of Classification Search** D8/388, D8/1; 47/47; 135/118; 52/166, 155

FIG. 3 is another elevation view of the centering ground spike of the present invention.

See application file for complete search history.

FIG. 4 is a third elevation view of the centering ground spike of the present invention.

(56) **References Cited**

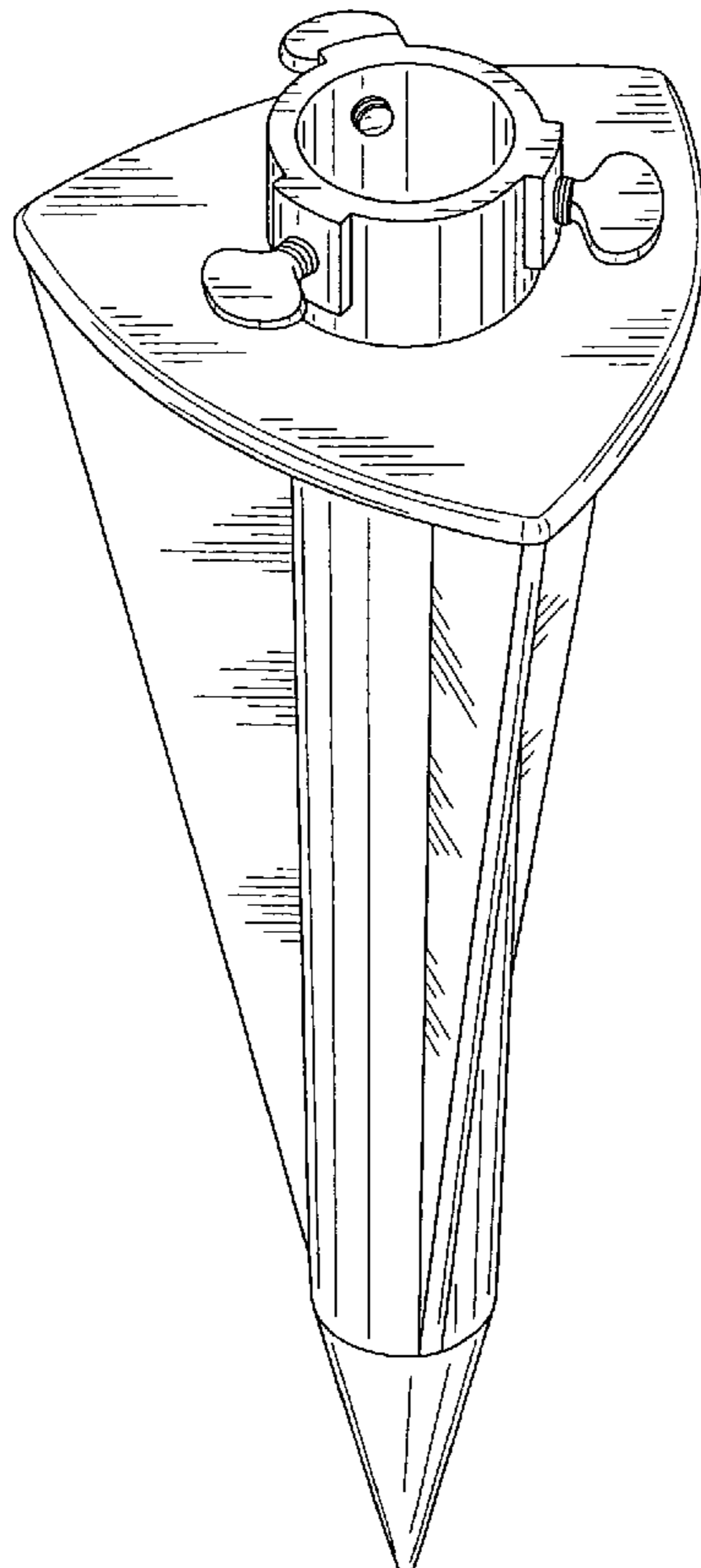
U.S. PATENT DOCUMENTS

4,874,149 A * 10/1989 Miceli 248/530
D380,569 S * 7/1997 Garber D8/388
5,881,495 A * 3/1999 Clark 47/48.5
D415,018 S * 10/1999 Uhler D21/840
D424,713 S * 5/2000 Blackwell D25/131
D493,205 S * 7/2004 Combes D21/840
D553,919 S * 10/2007 Gross et al. D8/1

FIG. 5 is a bottom view of the centering ground spike of the present invention; and,

FIG. 6 is a top view of the centering ground spike of the present invention.

1 Claim, 4 Drawing Sheets



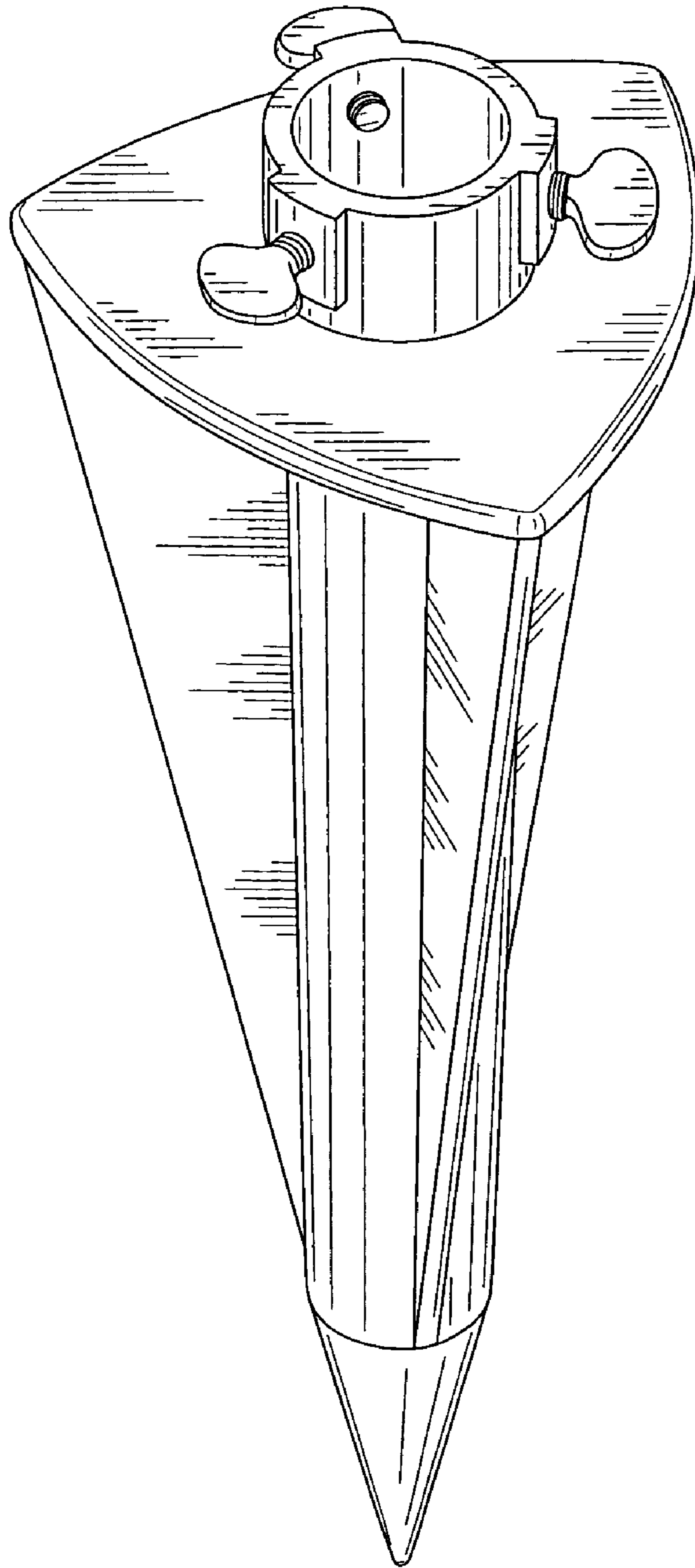


FIG. 1

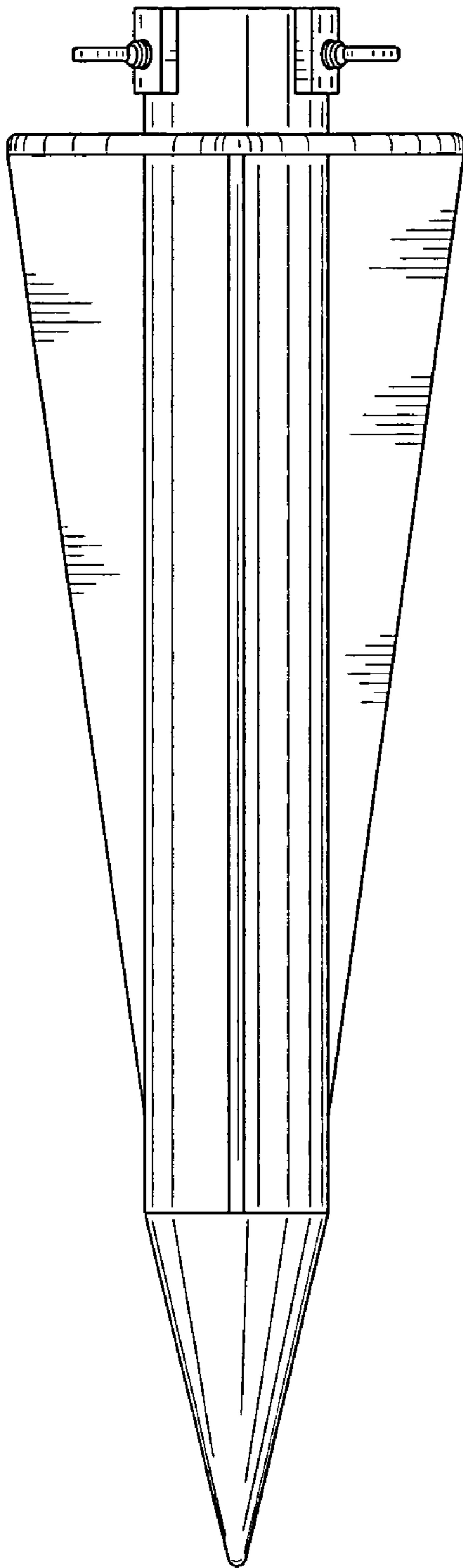


FIG. 2

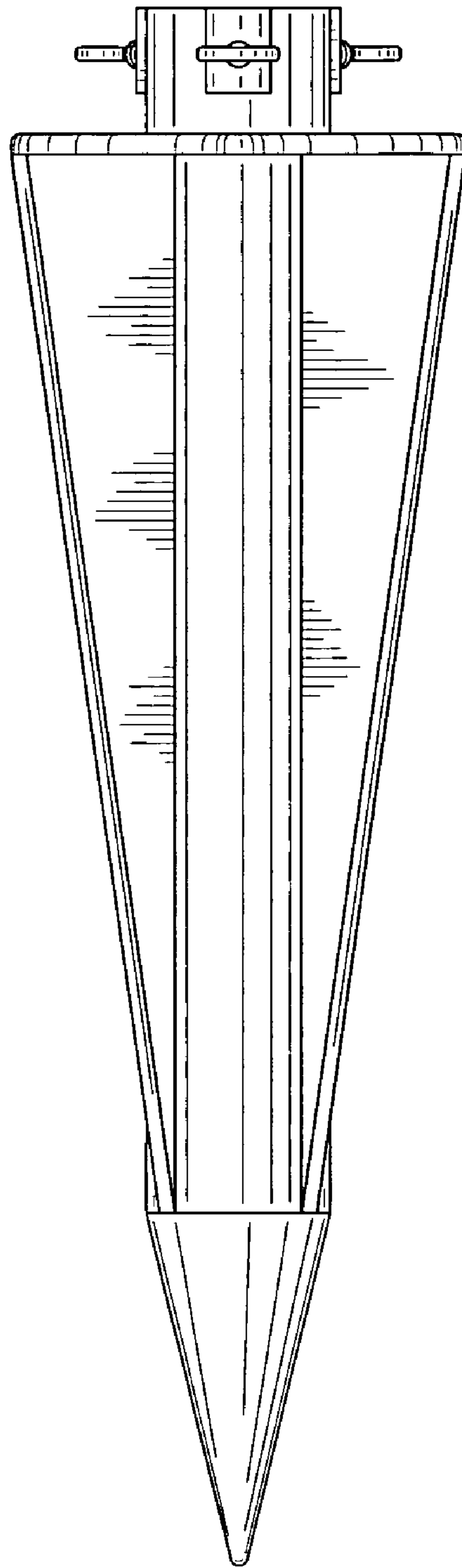


FIG. 3

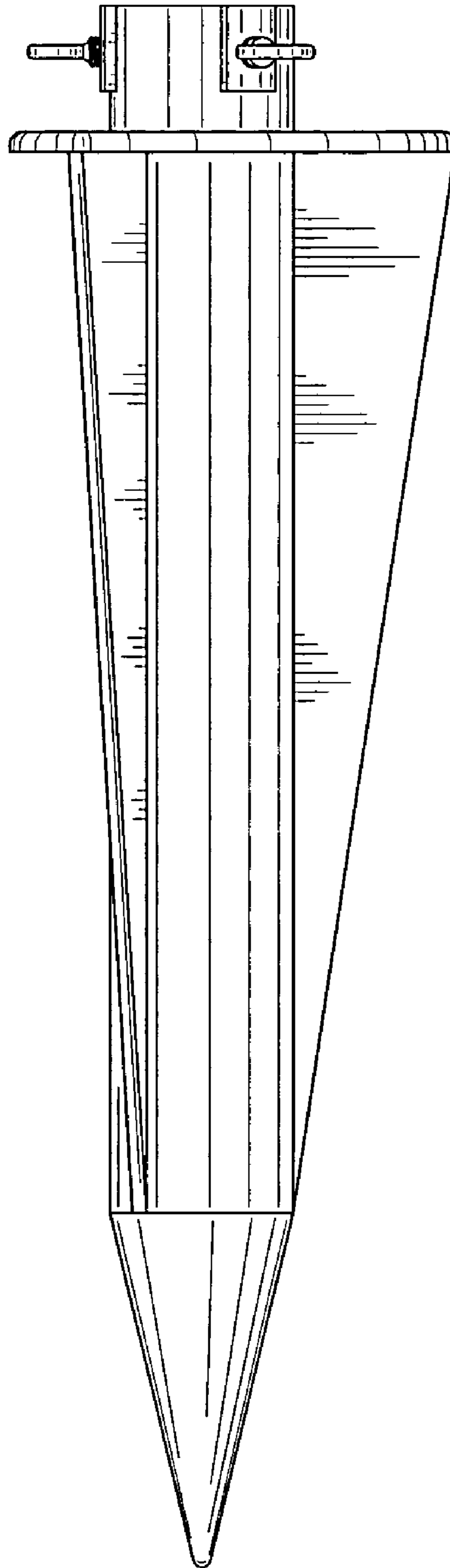


FIG. 4

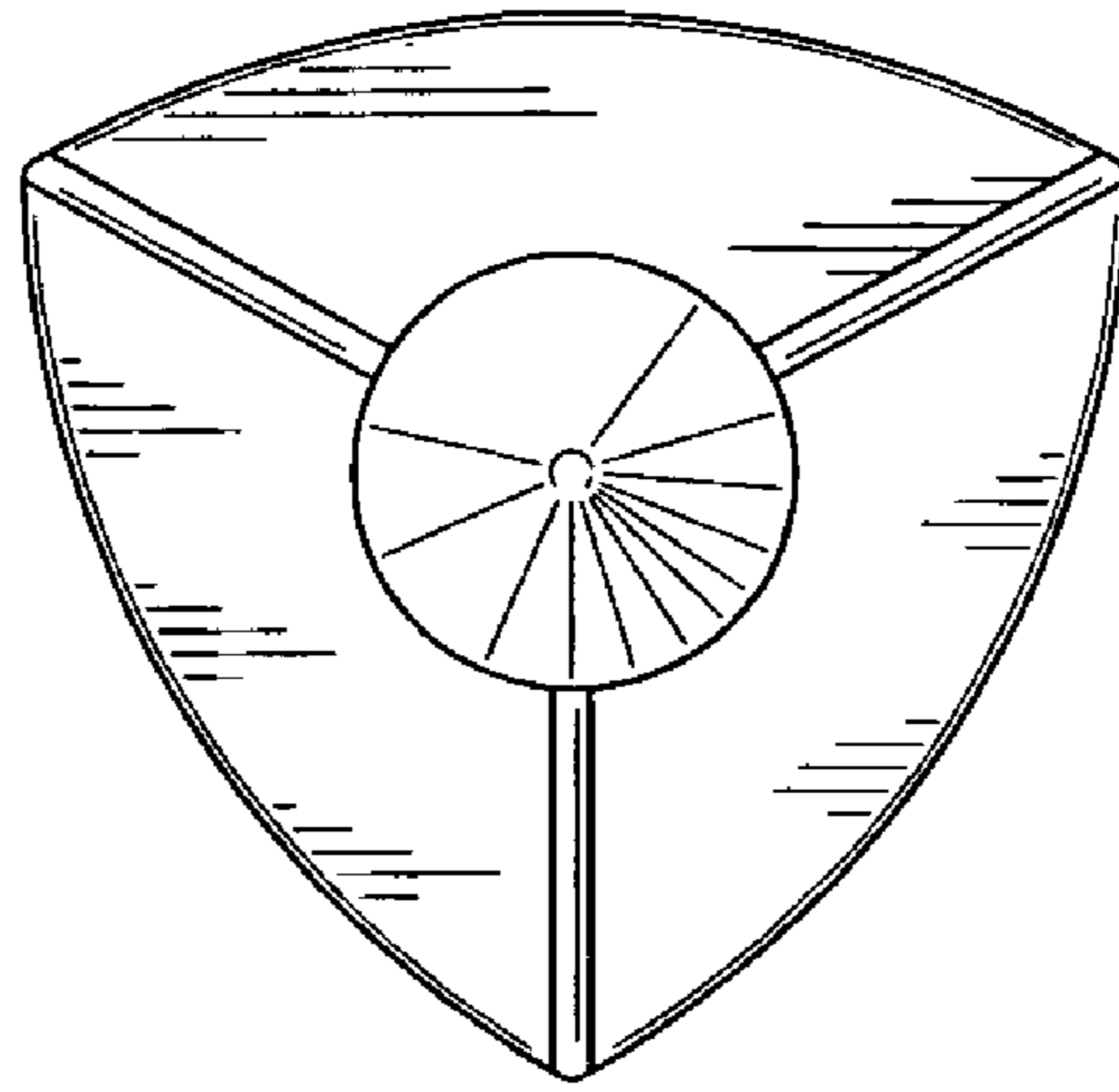


FIG. 5

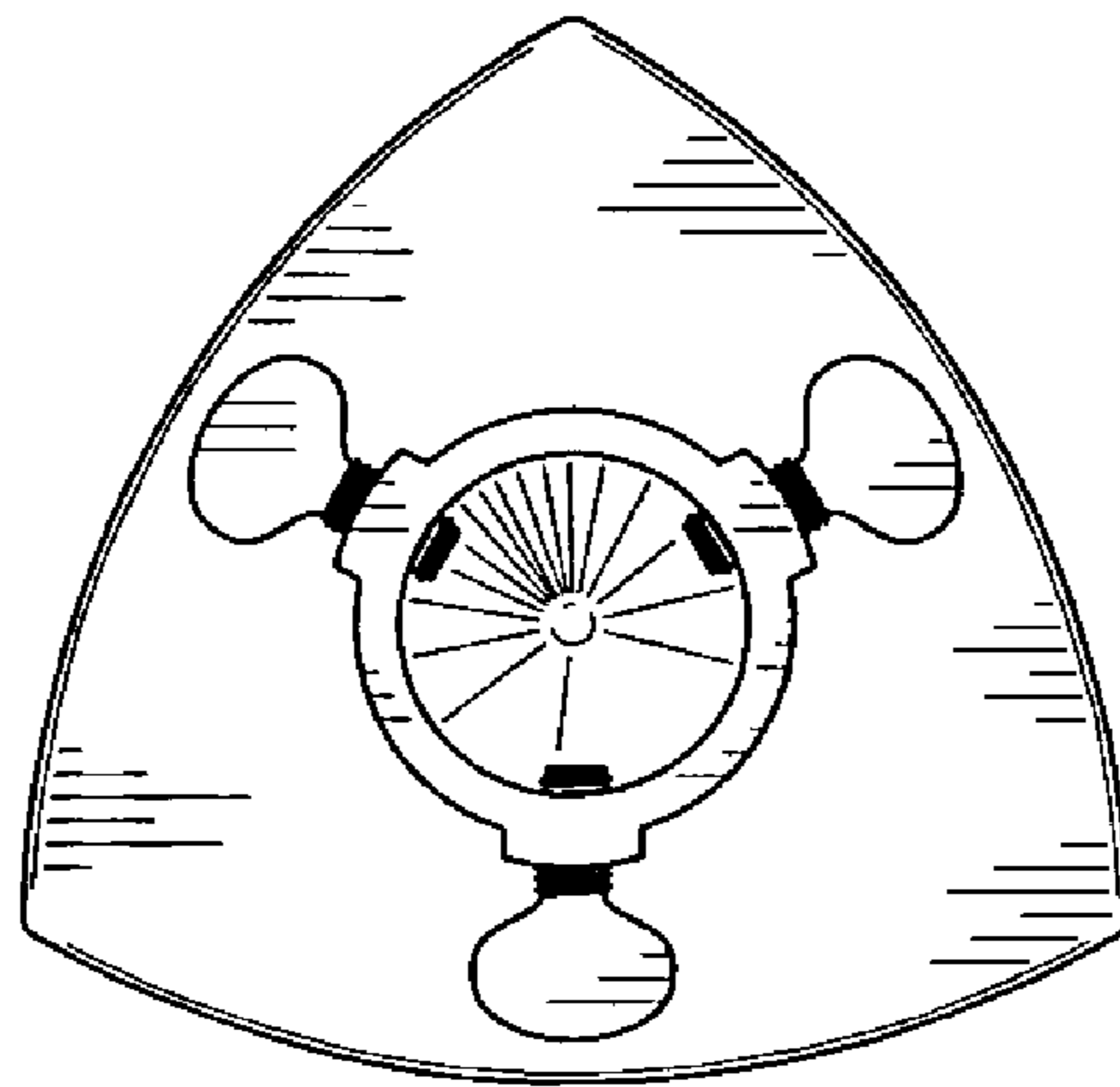


FIG. 6