



US00D624809S

(12) **United States Design Patent**  
**Weisensel**

(10) **Patent No.:** **US D624,809 S**

(45) **Date of Patent:** **\*\* Oct. 5, 2010**

(54) **SNAP FIT STORAGE BRACKETS**

(76) Inventor: **David V Weisensel**, P.O. Box 1839,  
Breckenridge, CO (US) 80424

(\*\*) Term: **14 Years**

(21) Appl. No.: **29/331,576**

(22) Filed: **Jan. 28, 2009**

(51) **LOC (9) Cl.** ..... **08-08**

(52) **U.S. Cl.** ..... **D8/382**

(58) **Field of Classification Search** ..... D8/382,  
D8/349, 356; D21/108; 403/167, 404, 403,  
403/402, 405.1, 231

See application file for complete search history.

(56) **References Cited**

**U.S. PATENT DOCUMENTS**

- 3,747,885 A \* 7/1973 Ciancimino ..... 248/188.1
- 5,110,234 A \* 5/1992 Makinen ..... 403/403
- D387,656 S \* 12/1997 Liang ..... D8/382
- D389,400 S \* 1/1998 Liang ..... D8/382
- D465,176 S \* 11/2002 Grandy ..... D12/42
- D534,064 S \* 12/2006 Gimpel et al. .... D8/382
- D601,879 S \* 10/2009 Kim et al. .... D8/356

D604,150 S \* 11/2009 Lee ..... D8/373

\* cited by examiner

*Primary Examiner*—Holly H Baynham

*Assistant Examiner*—Sheryl Lane

(74) *Attorney, Agent, or Firm*—Margaret Polson; Oppedahl  
Patent Law Firm, LLC

(57) **CLAIM**

The ornamental design for a snap fit storage bracket, as shown  
and described.

**DESCRIPTION**

FIG. 1 is a top plan view of an alternate embodiment my new  
design for a snap fit storage bracket, wherein four brackets  
can be connected to form a circular storage bracket.

FIG. 2 is bottom plan view of FIG. 1

FIG. 3 side elevation view of the right and left sides, which are  
identical, of FIG. 1

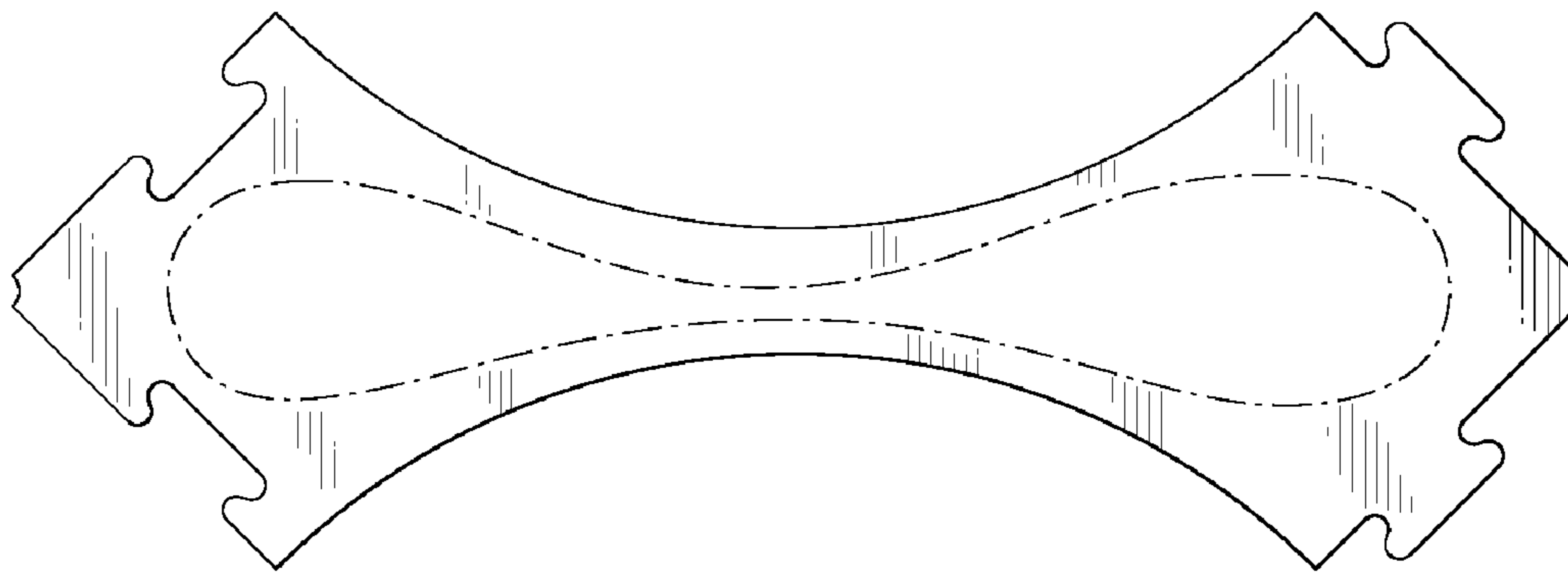
FIG. 4 is a rear side elevation view of FIG. 1

FIG. 5 is a front side elevation view of FIG. 1; and,

FIG. 6 is a top perspective view of FIG. 1.

The broken line showing of the center portion of the bracket  
is for the purpose of showing portions of the article and forms  
no part of the claimed design.

**1 Claim, 1 Drawing Sheet**



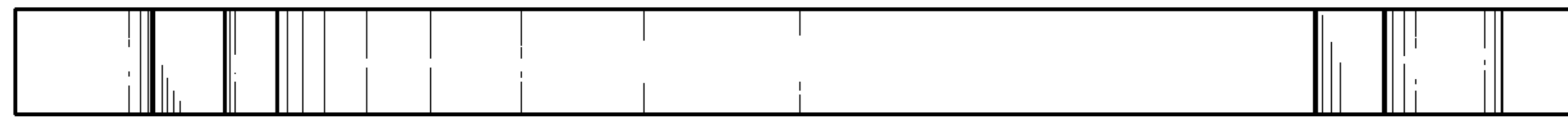


FIG. 3

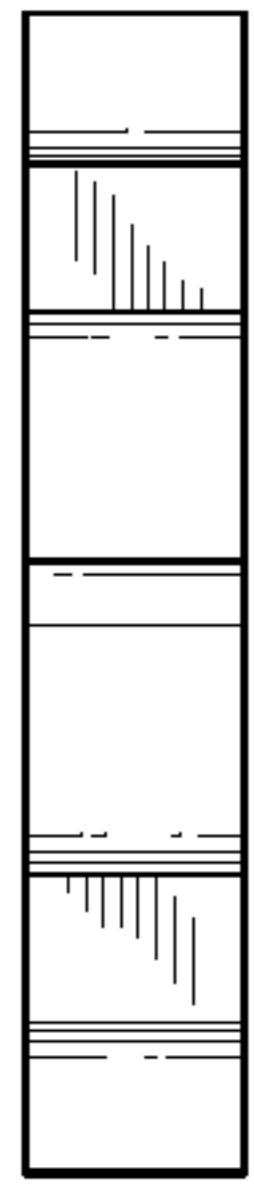


FIG. 4

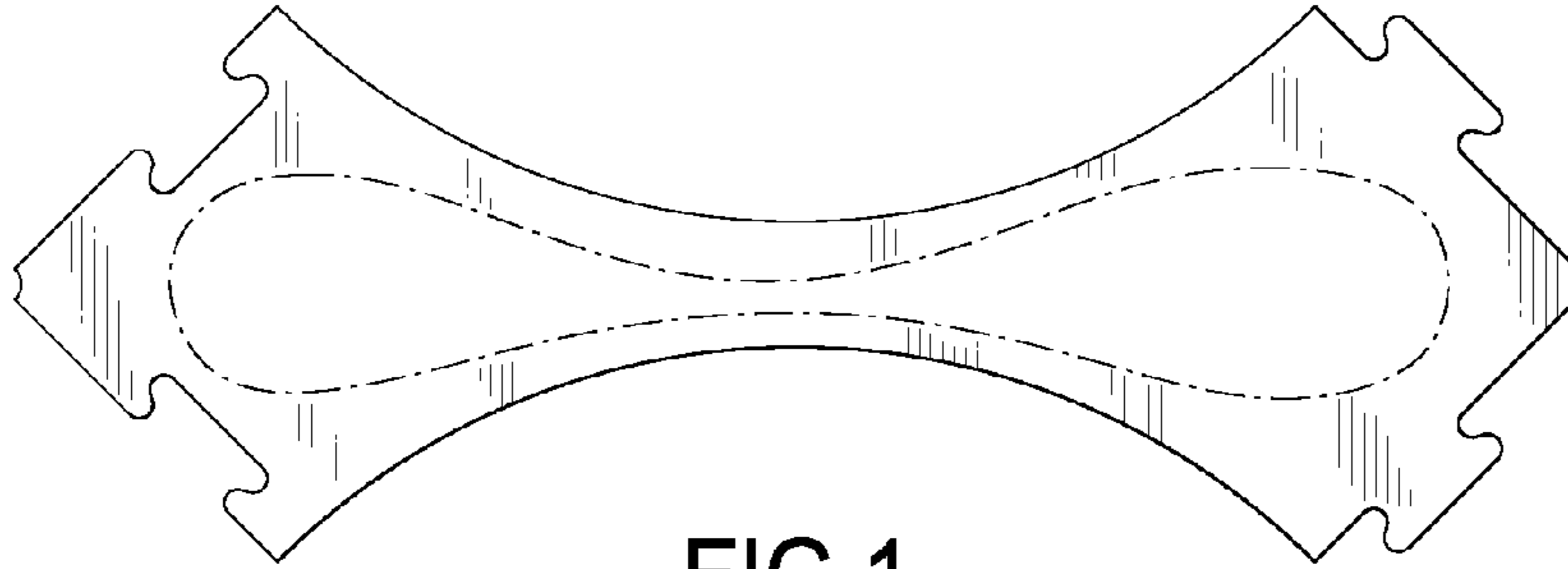


FIG. 1



FIG. 5

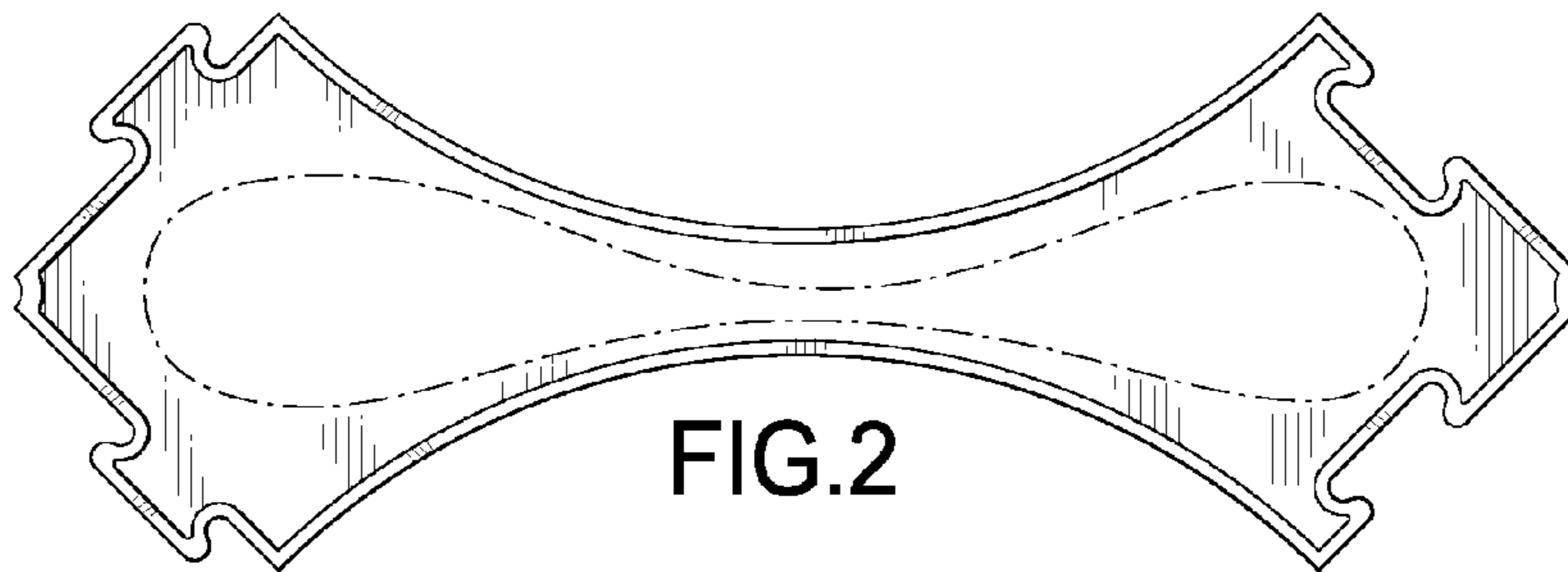


FIG. 2

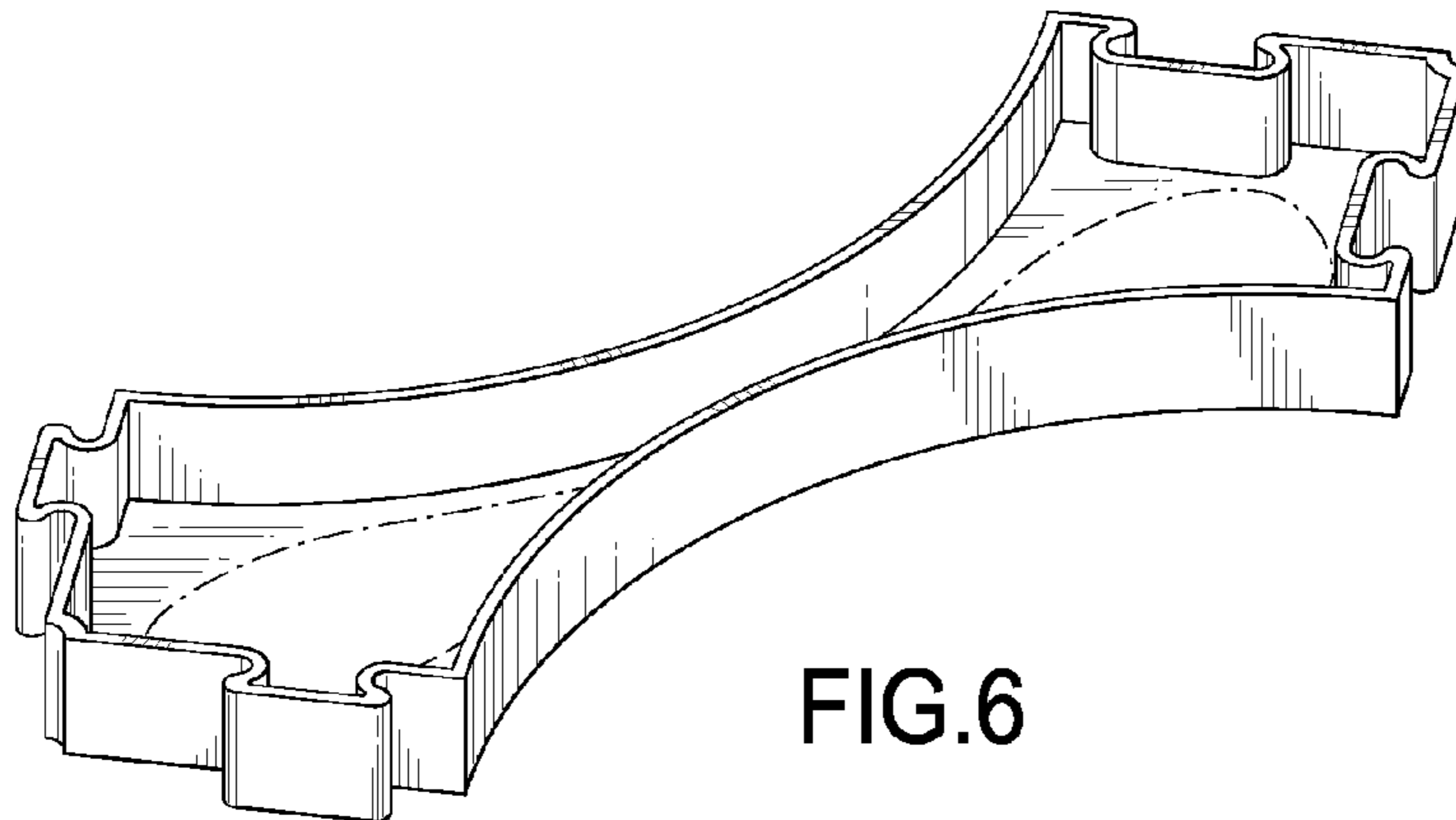


FIG. 6