



US00D624807S

(12) **United States Design Patent**
Barrese

(10) **Patent No.:** **US D624,807 S**

(45) **Date of Patent:** **** Oct. 5, 2010**

(54) **DISPLAY HANGER FOR A SHOWER CURTAIN ROD**

(75) Inventor: **Charles Barrese**, Huntington, NY (US)

(73) Assignee: **Ex-Cell Home Fashions, Inc.**, New York, NY (US)

(**) Term: **14 Years**

(21) Appl. No.: **29/325,782**

(22) Filed: **Oct. 6, 2008**

(51) **LOC (9) Cl.** **08-05**

(52) **U.S. Cl.** **D8/373**

(58) **Field of Classification Search** D8/373;
D6/566, 410; 206/349; 211/70.5; 247/317
See application file for complete search history.

(56) **References Cited**

U.S. PATENT DOCUMENTS

2,759,756 A	8/1956	Sikora
3,275,366 A	9/1966	Hidding
3,311,252 A	3/1967	Swartwood et al.
3,408,758 A	11/1968	Doring
3,463,536 A	8/1969	Updegraff et al.
4,062,450 A	12/1977	Carter
4,090,729 A	5/1978	Erickson
4,450,961 A	5/1984	Bies et al.
4,634,005 A	1/1987	Kulzer et al.
D291,746 S	9/1987	Evans
D293,297 S	12/1987	Wood
D293,856 S	1/1988	Evans
4,753,350 A	6/1988	Seymour
D313,550 S	1/1991	Lorincz
5,484,056 A	1/1996	Wood
5,695,232 A	12/1997	Tipp

OTHER PUBLICATIONS

U.S. Appl. No. 11/713,282, filed Mar. 2, 2007; In re: Barrese; entitled *Display Hanger for Curtain Rod*.

(Continued)

Primary Examiner—Holly H Baynham

(74) *Attorney, Agent, or Firm*—Alston & Bird LLP

(57) **CLAIM**

The ornamental design for a display hanger for a shower curtain rod, as shown and described.

DESCRIPTION

FIG. 1 is a perspective view of an embodiment of a display hanger for a shower curtain rod according to my new design;

FIG. 2 is a front elevation view thereof;

FIG. 3 is a rear elevation view thereof;

FIG. 4 is a right side elevation view thereof, the left side being a mirror image thereof;

FIG. 5 is a top plan view thereof;

FIG. 6 is a bottom plan view thereof;

FIG. 7 is a perspective view of another embodiment of a display hanger for a shower curtain rod according to my new design;

FIG. 8 is a front elevation view thereof;

FIG. 9 is a rear elevation view thereof;

FIG. 10 is a right side elevation view thereof, the left side being a mirror image thereof;

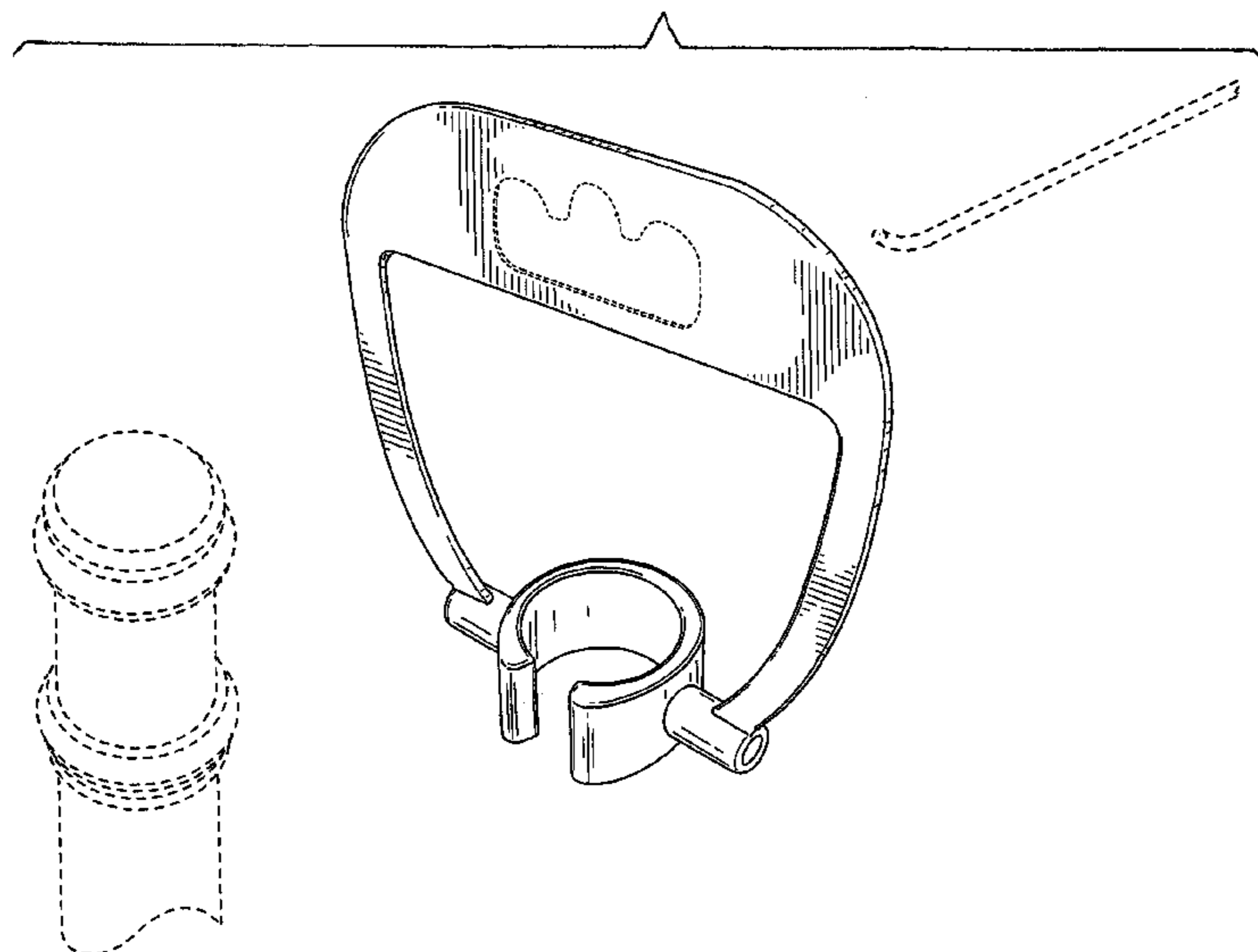
FIG. 11 is a top plan view thereof; and,

FIG. 12 is a bottom plan view thereof.

The broken lines shown herein for illustrative purposes of the environment or which define the bounds of the claimed design form no part of the claimed design.

(Continued)

1 Claim, 10 Drawing Sheets



US D624,807 S

Page 2

U.S. PATENT DOCUMENTS

D429,461 S 8/2000 Rowlay
6,241,092 B1 6/2001 Vasudeva
6,394,517 B1 5/2002 Borg
6,425,482 B1* 7/2002 Chiang 206/349
6,543,629 B1 4/2003 Samelson
6,672,555 B2 1/2004 Chang
6,679,379 B1 1/2004 Kao
6,827,210 B2* 12/2004 Chen 206/349
6,883,664 B2 4/2005 Lee
7,097,061 B2 8/2006 Simpson, Jr. et al.
7,124,900 B2 10/2006 Hu
7,131,535 B2 11/2006 Hernandez, Jr. et al.

D563,209 S 3/2008 Samelson
7,424,951 B2* 9/2008 Hu 206/349
2001/0035488 A1 11/2001 Cizek
2002/0084240 A1 7/2002 Yu-Hsien
2002/0113183 A1 8/2002 Mattesky
2002/0117411 A1 8/2002 Ortiz
2005/0224673 A1 10/2005 Wang
2005/0230587 A1 10/2005 Yang

OTHER PUBLICATIONS

Office Action in U.S. Appl. No. 11/713,282 dated Sep. 18, 2008.

* cited by examiner

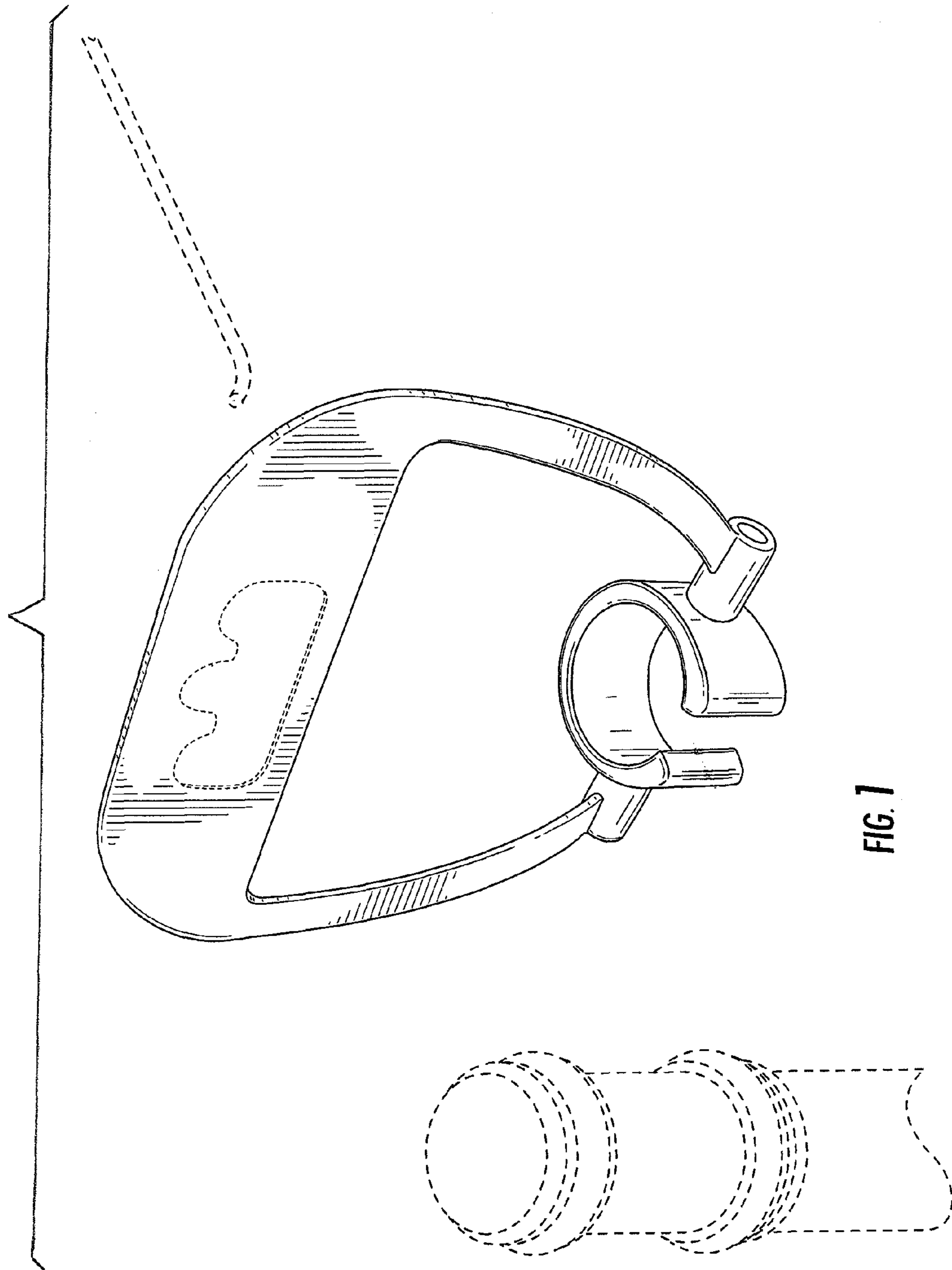


FIG. 1

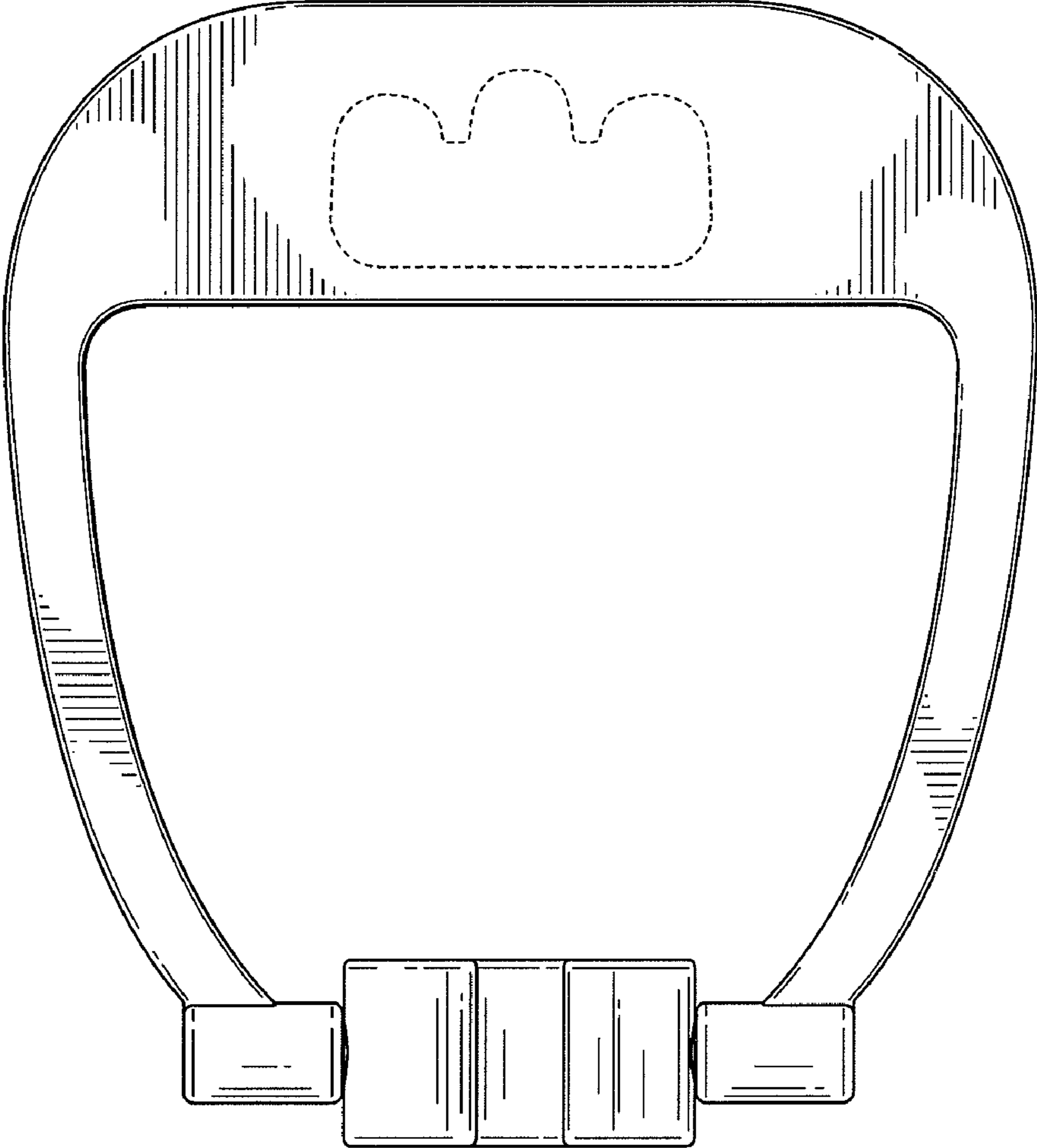


FIG. 2

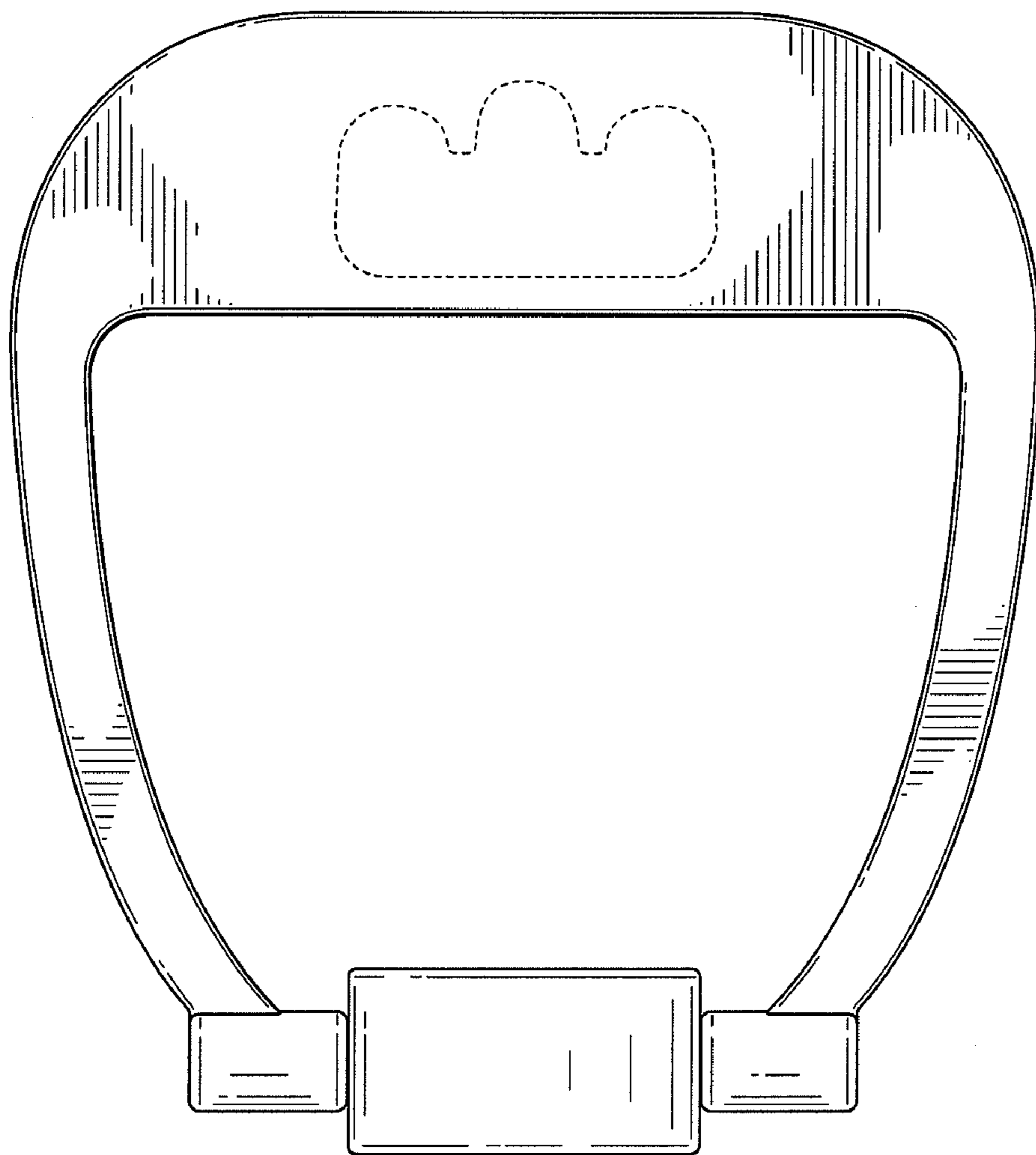


FIG. 3

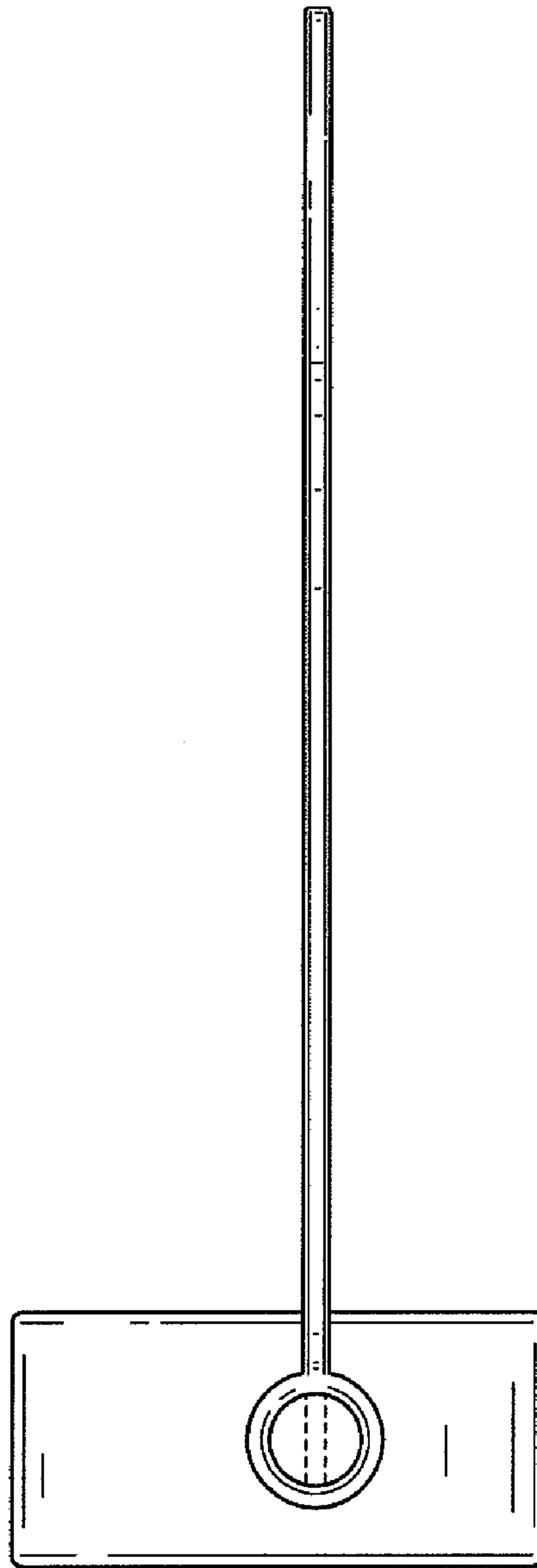


FIG. 4

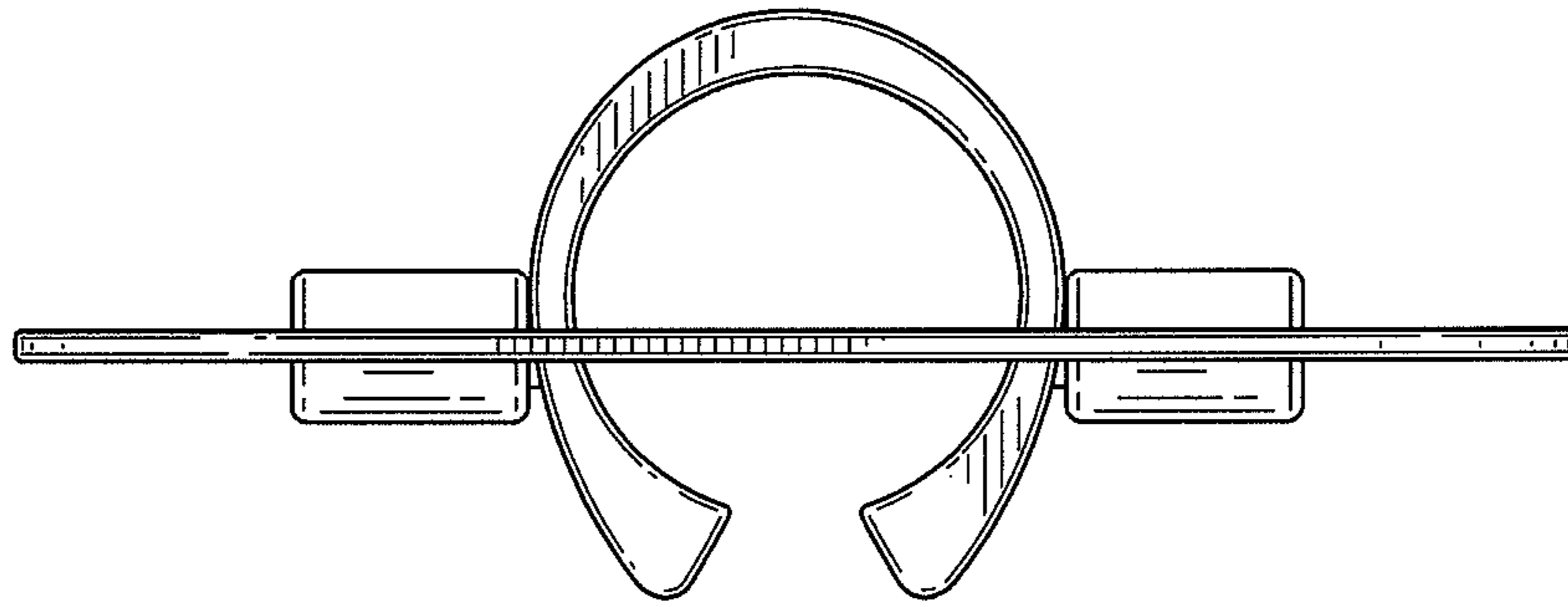


FIG. 5

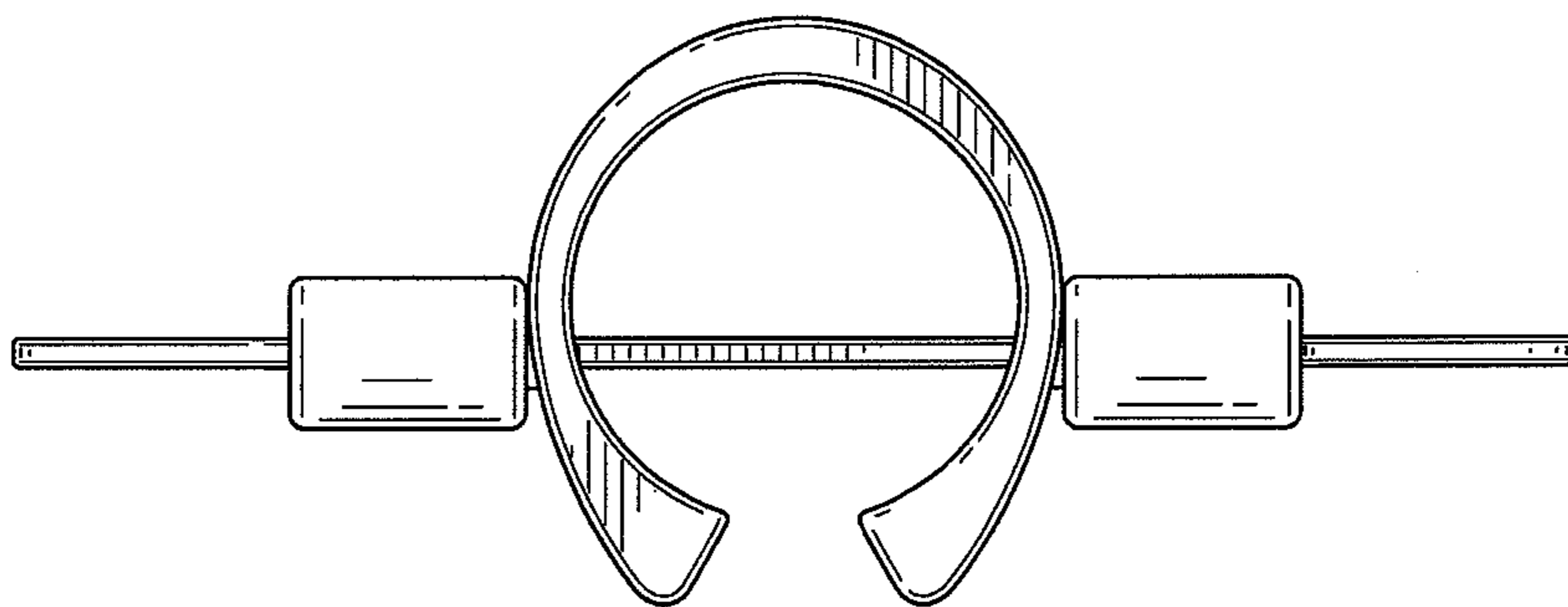


FIG. 6

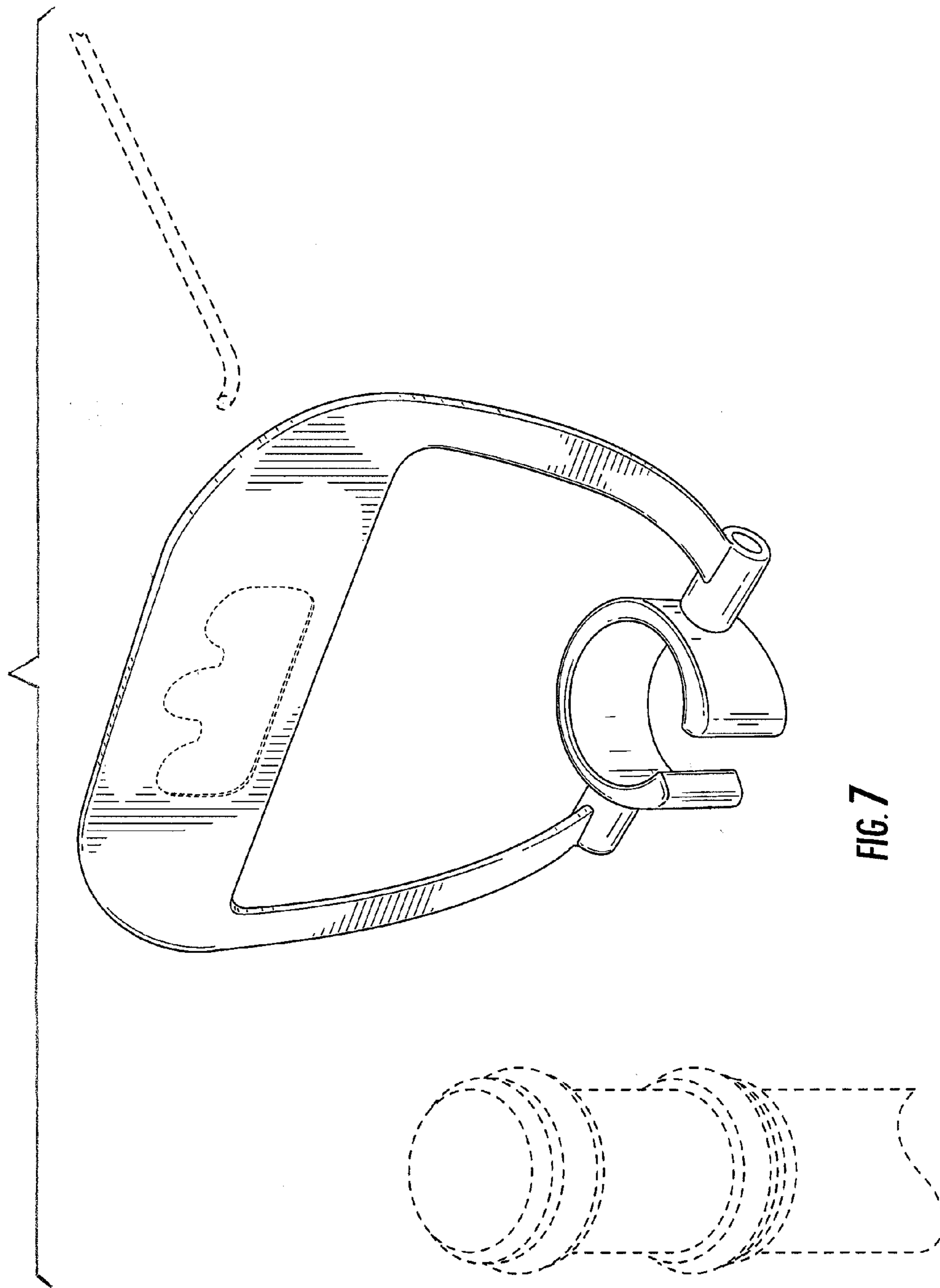


FIG. 7

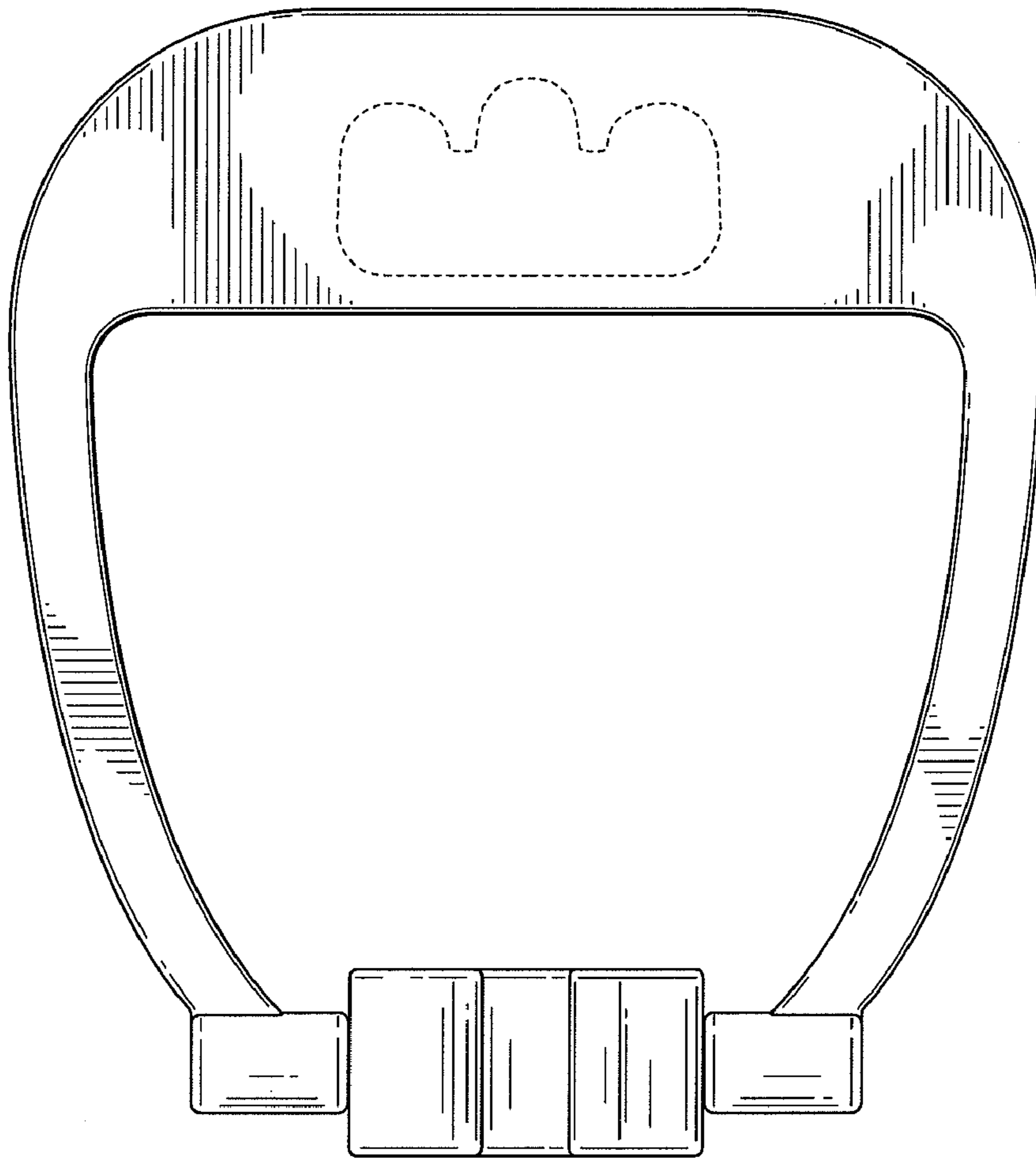


FIG. 8

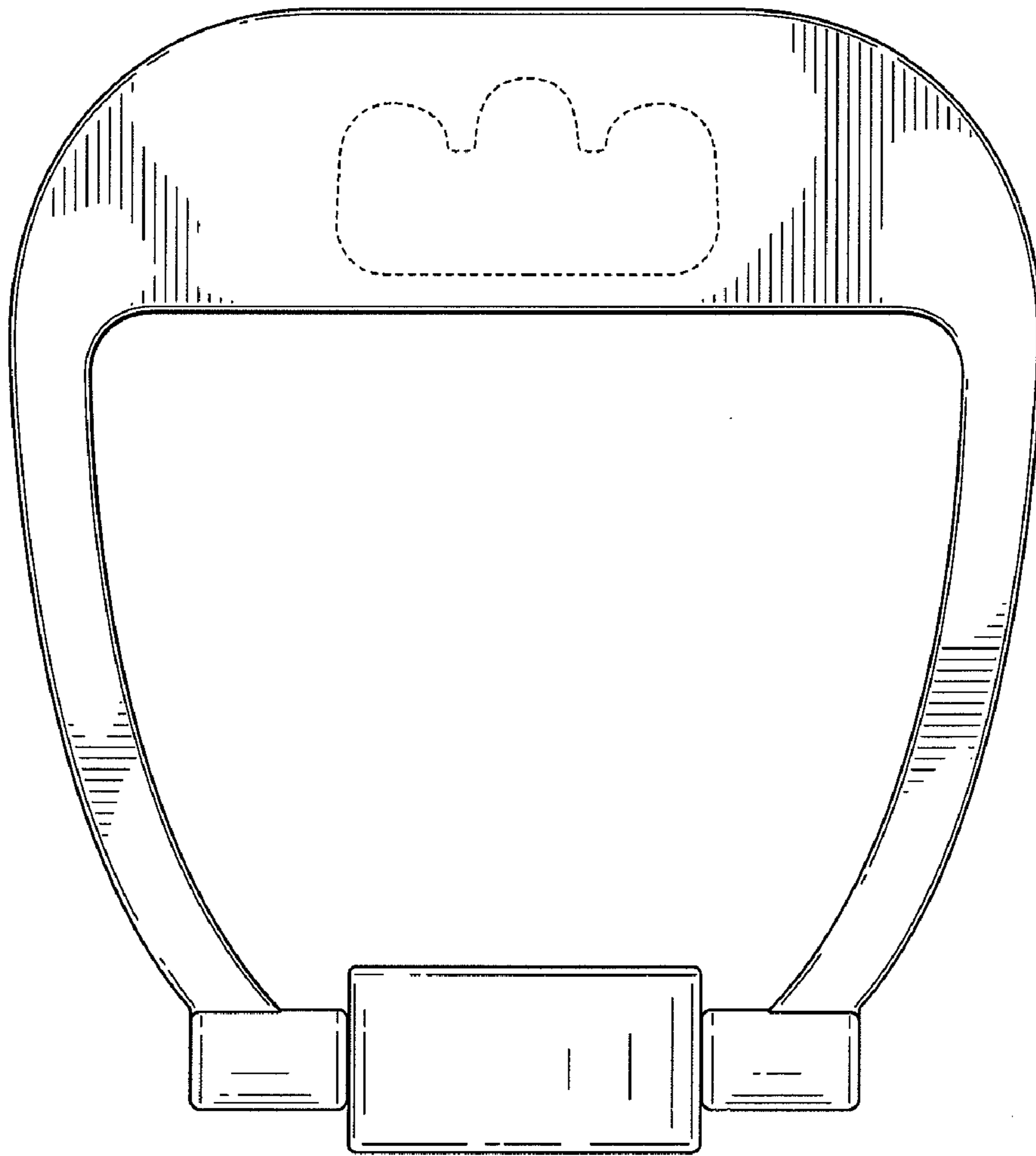


FIG. 9

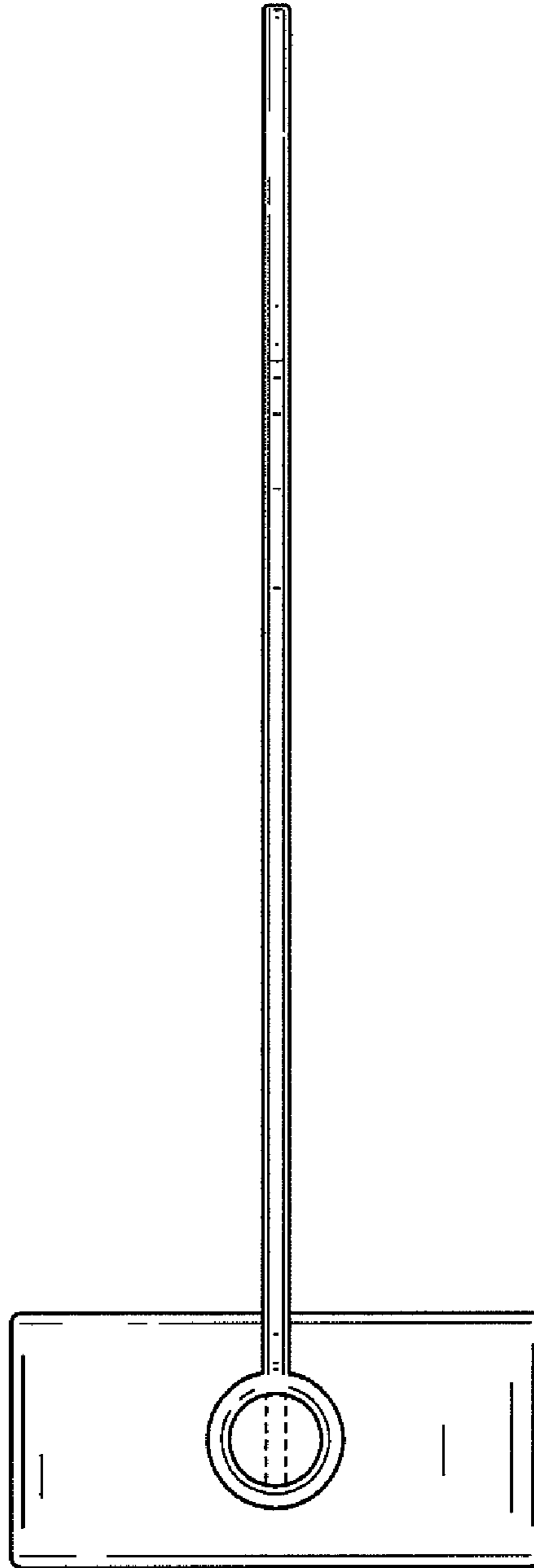


FIG. 10

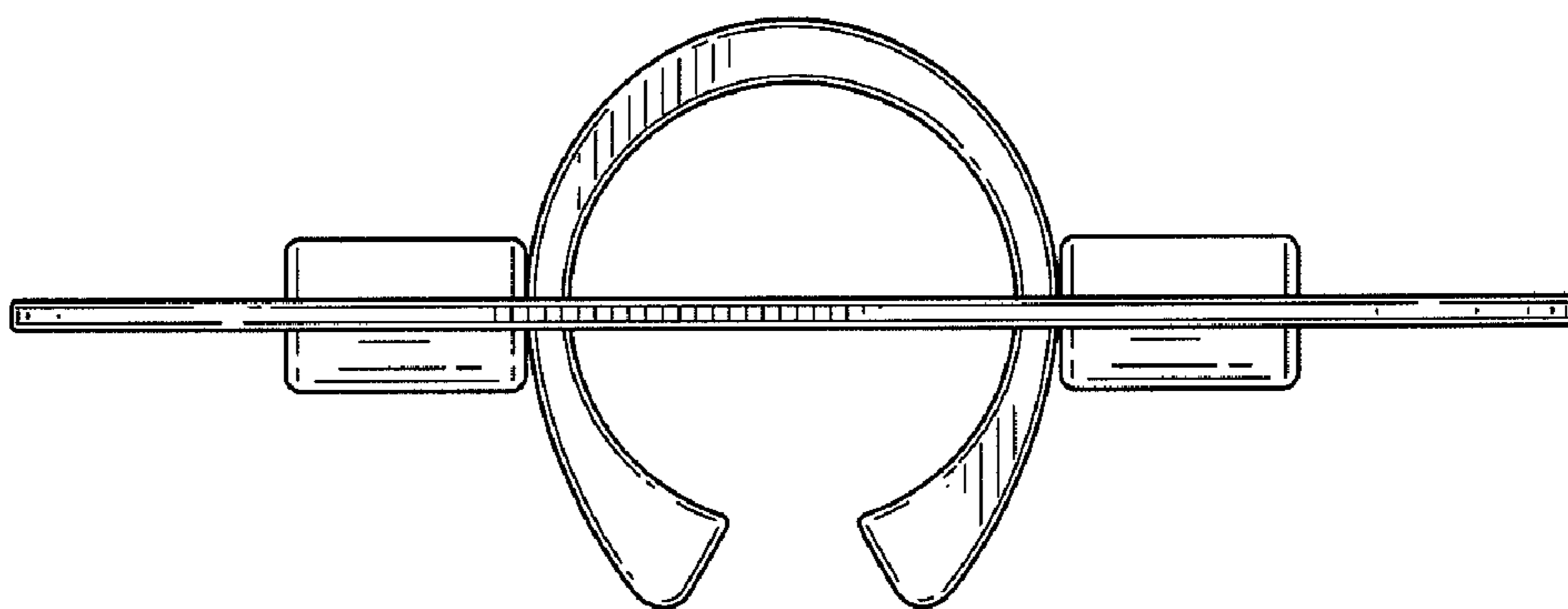


FIG. 11

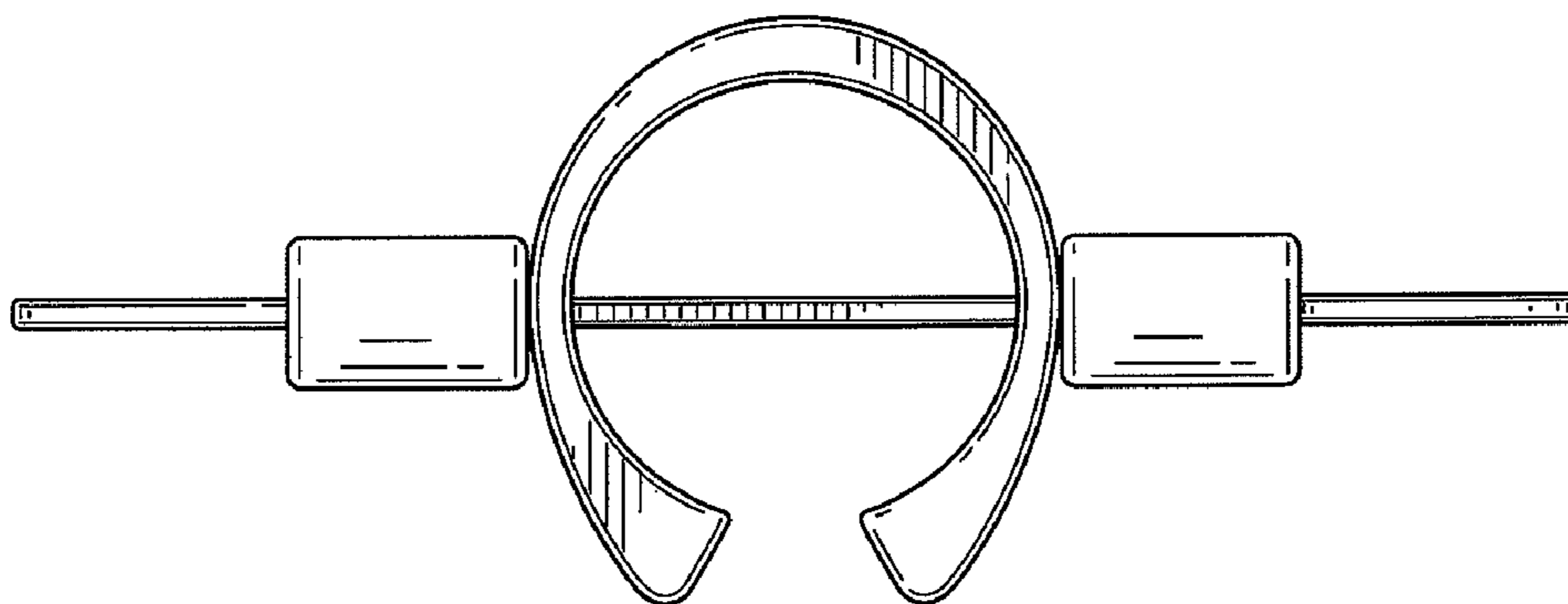


FIG. 12