



US00D624806S

(12) **United States Design Patent**  
**Silverman**

(10) **Patent No.:** **US D624,806 S**

(45) **Date of Patent:** **\*\* Oct. 5, 2010**

(54) **BLOWER HANGER**

(57) **CLAIM**

(76) **Inventor:** **Clifford J Silverman**, 1460 Guerin Rd.,  
Green Oaks, IL (US) 60048

The ornamental design for a blower hanger, as shown and described.

(\*\*) **Term:** **14 Years**

**DESCRIPTION**

(21) **Appl. No.:** **29/314,200**

(22) **Filed:** **Mar. 13, 2009**

FIG. 1 is a front perspective view of a blower hanger of the present invention;

(51) **LOC (9) Cl.** ..... **08-05**

FIG. 2 is a front view of the present invention;

(52) **U.S. Cl.** ..... **D8/373**

FIG. 3 is a side view of the present invention;

(58) **Field of Classification Search** ..... D8/373,  
D8/354, 380; 248/300, 214; 406/157

FIG. 4 is a top view of the present invention;

See application file for complete search history.

FIG. 5 is a bottom view of the present invention;

FIG. 6 is a back view of the present invention;

(56) **References Cited**

**U.S. PATENT DOCUMENTS**

FIG. 7 is a top view of the present invention with the arms extended; and,

1,400,753 A \* 12/1921 Loeck ..... 406/157

FIG. 8 is a top view of the present invention with the arms extended at a 180 degree angle.

5,472,164 A \* 12/1995 Contee, Jr. .... 248/214

\* cited by examiner

The broken line showing is for illustrative purposes only and forms no part of the claimed design.

*Primary Examiner*—Holly H Baynham

(74) *Attorney, Agent, or Firm*—Justin Lampel

**1 Claim, 7 Drawing Sheets**

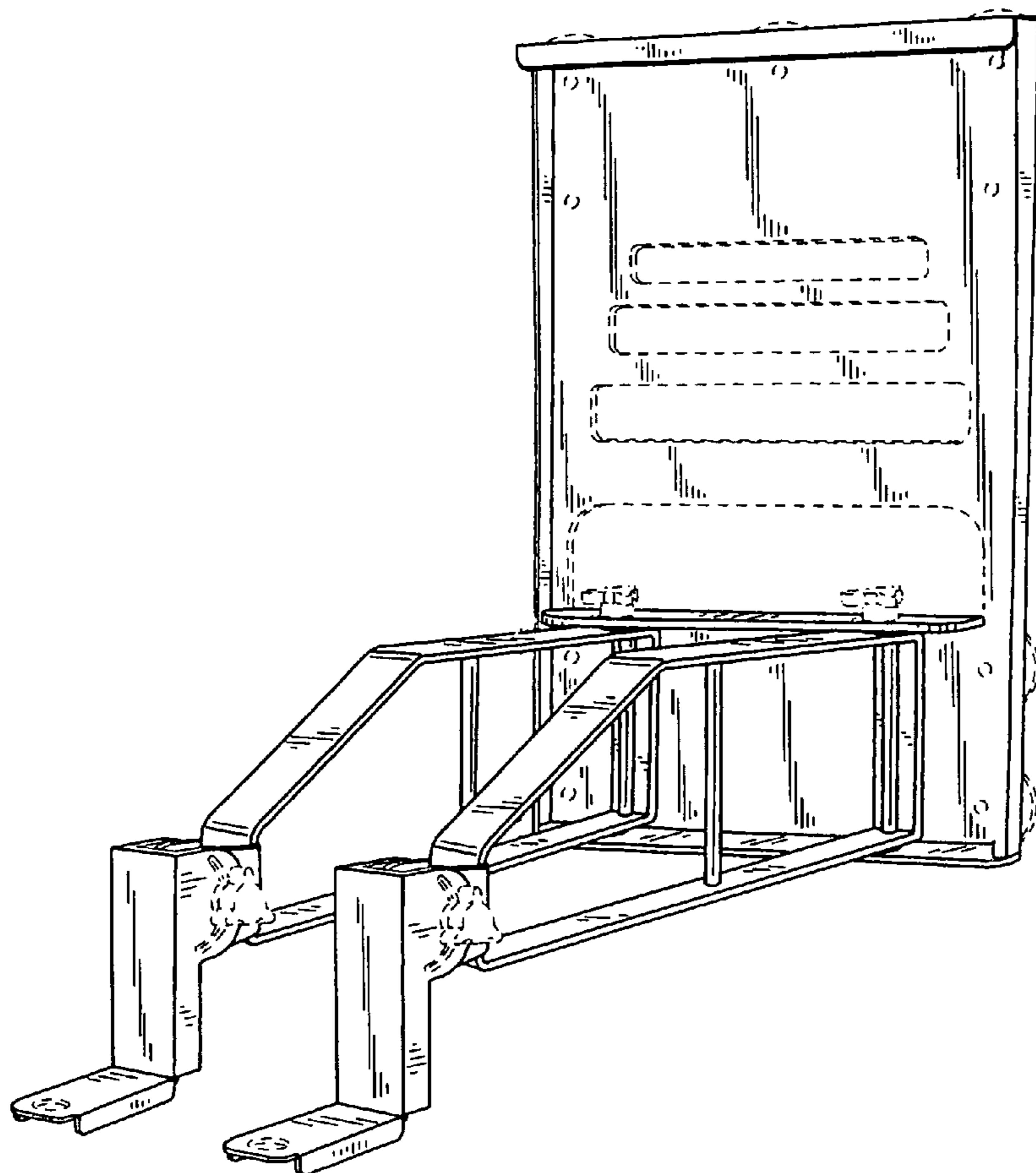
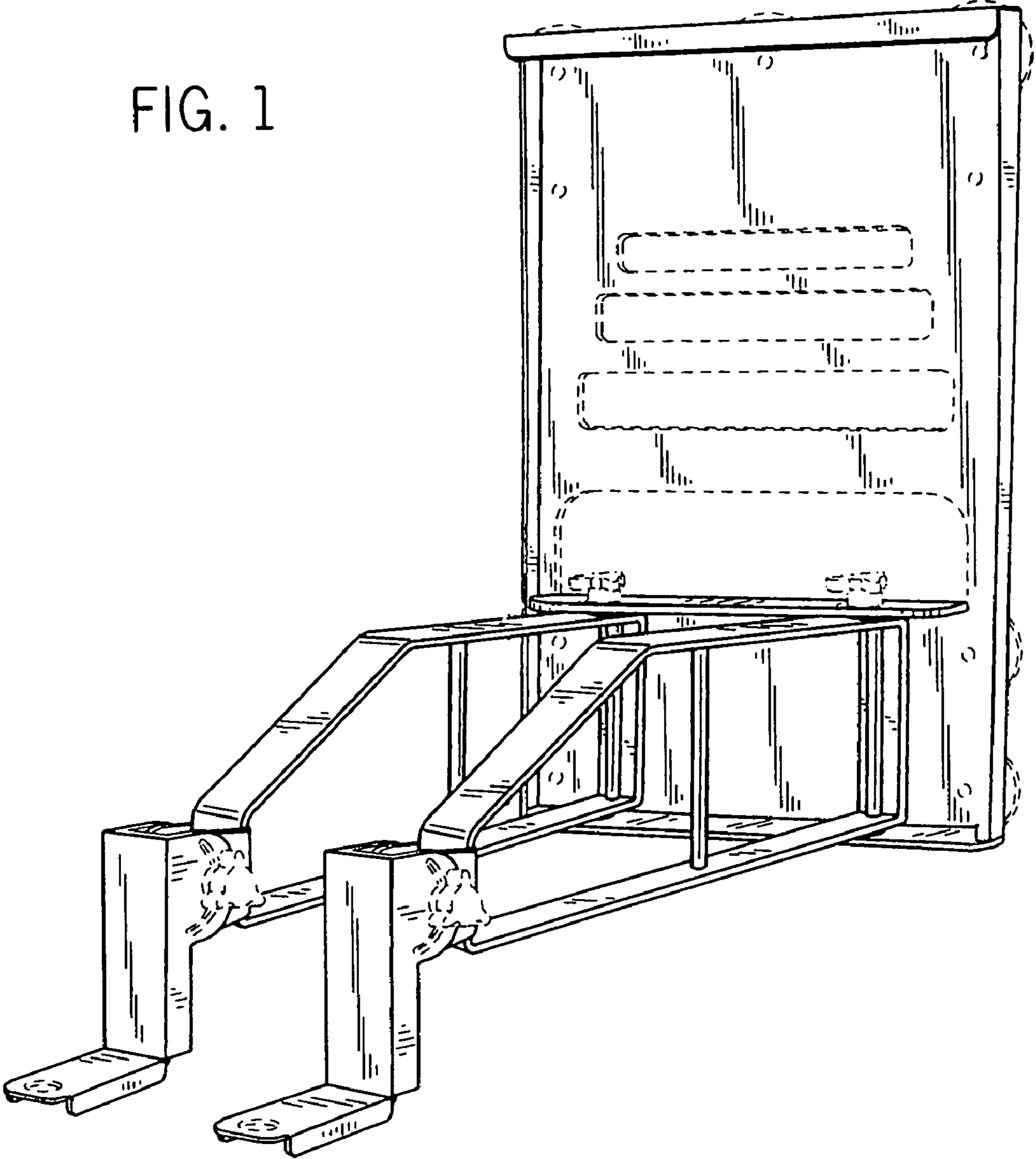


FIG. 1



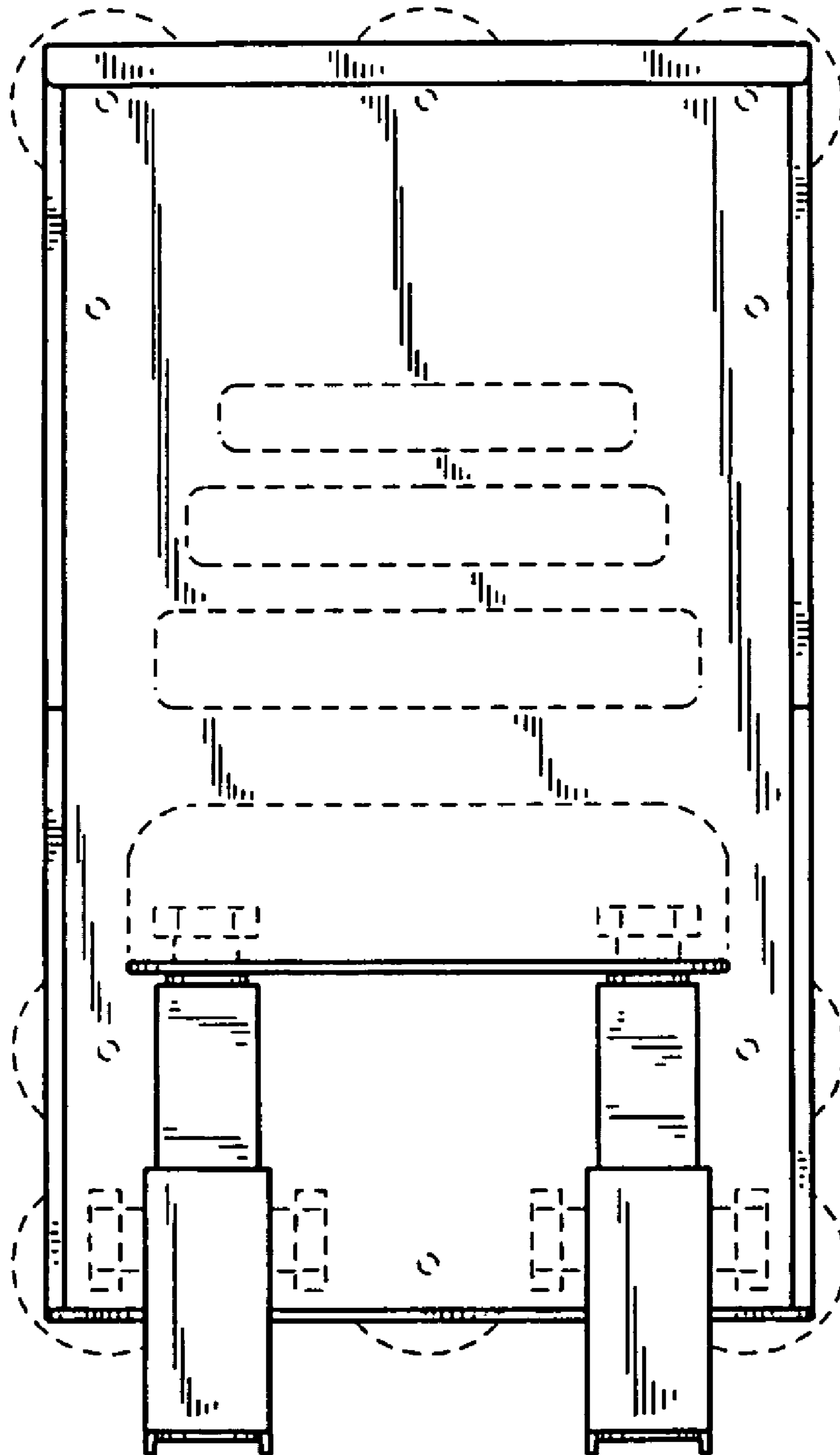


FIG. 2

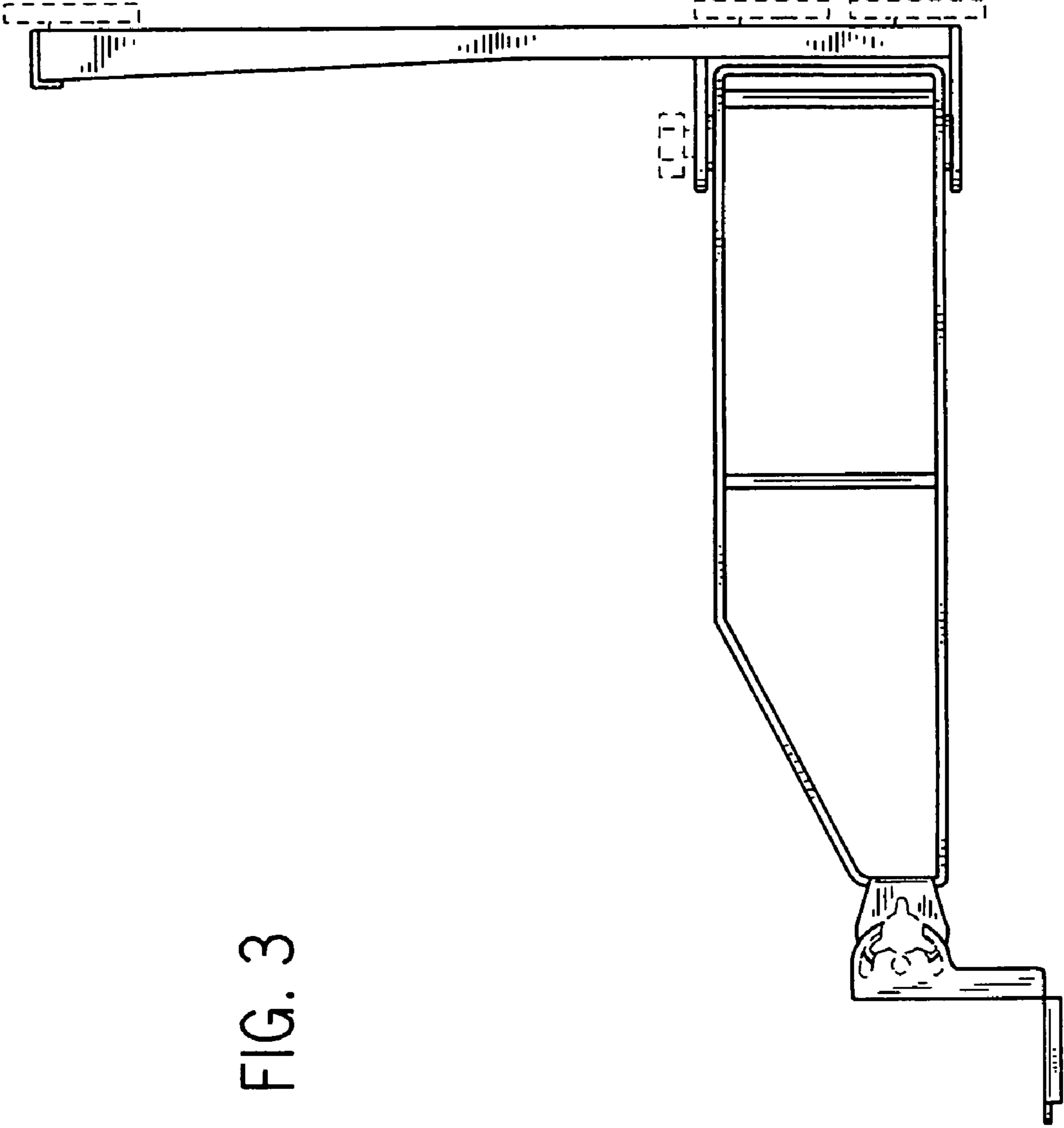


FIG. 3

FIG. 4

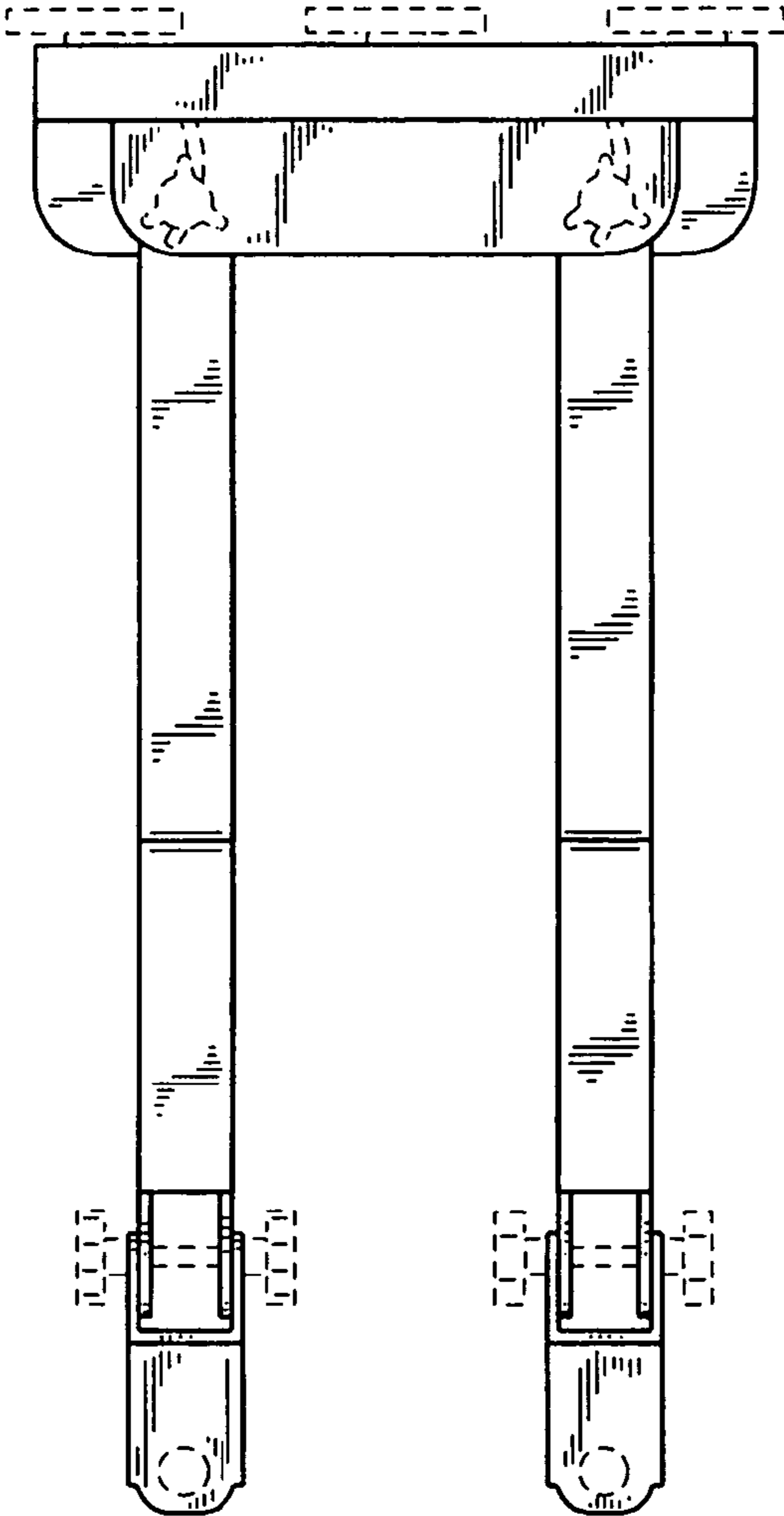
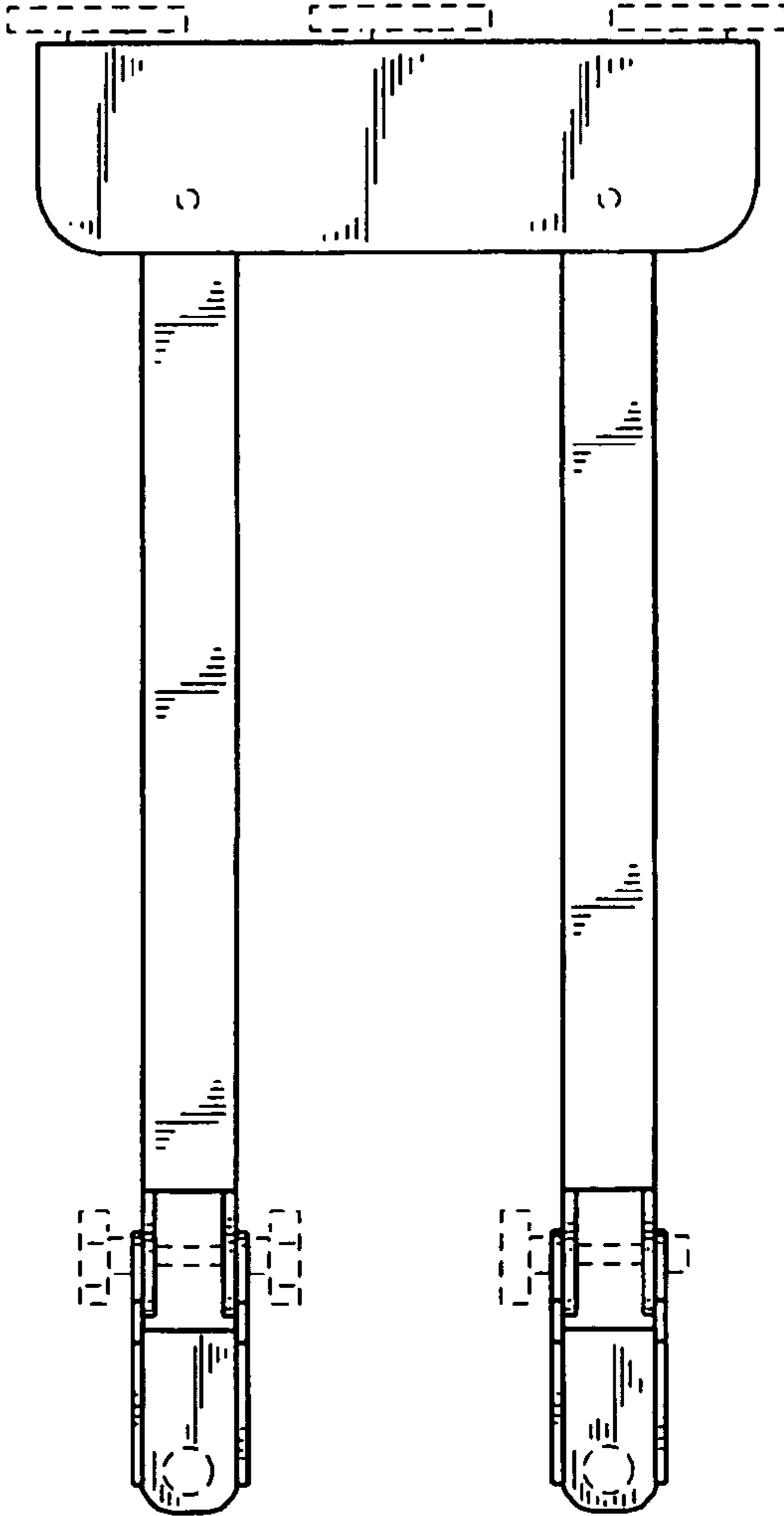


FIG. 5



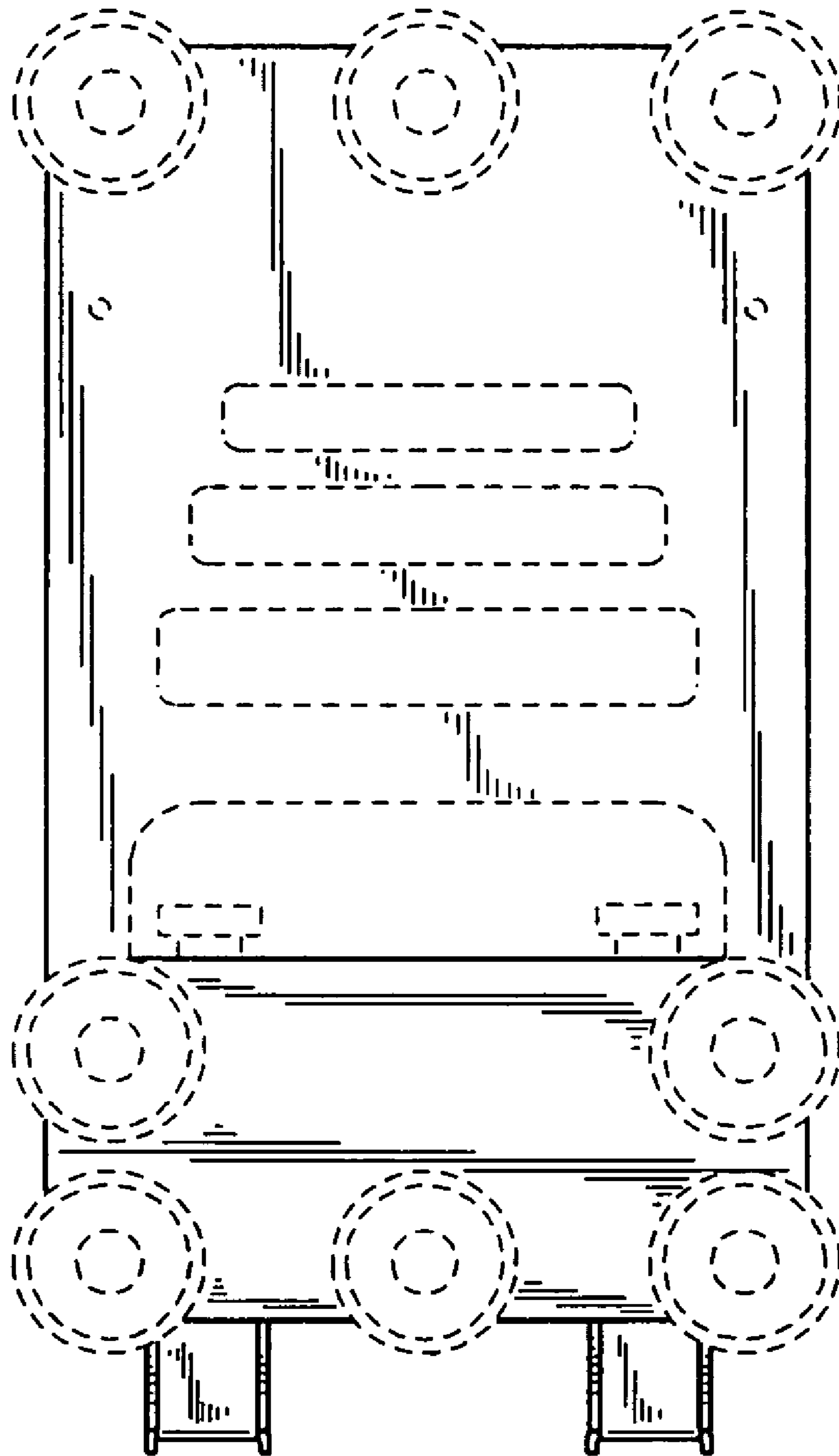


FIG. 6

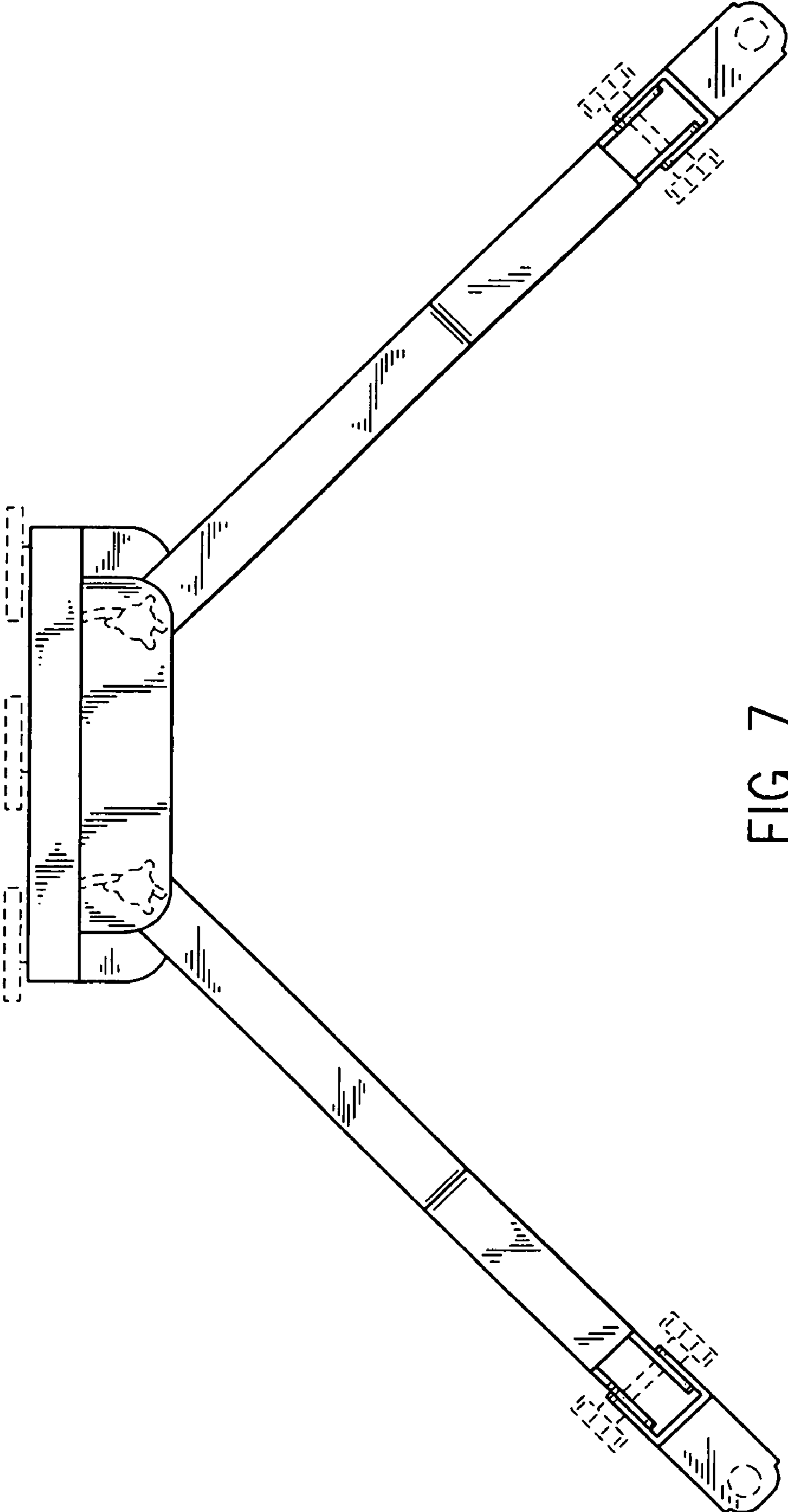


FIG. 7

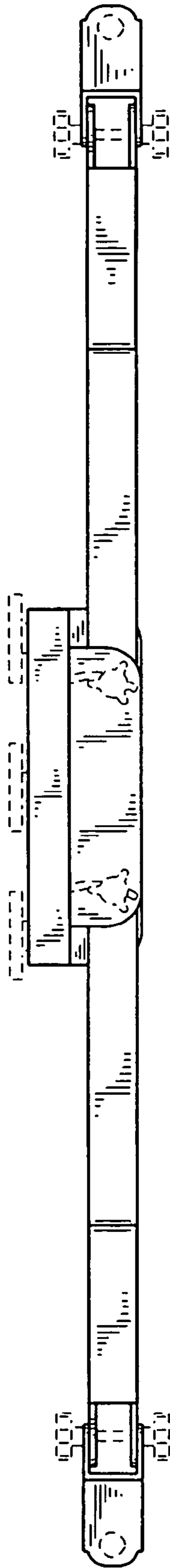


FIG. 8