



US00D624805S

(12) **United States Design Patent**  
**Clarke**

(10) **Patent No.:** **US D624,805 S**  
(45) **Date of Patent:** **\*\* Oct. 5, 2010**

(54) **CORNER BRACKET FOR OVERLAPPING  
ROLLER BLIND SYSTEM**

(75) Inventor: **Kevin Clarke**, Melbourne (AU)

(73) Assignee: **Designed Blinds Australia Pty Ltd**  
(AU)

(\*\*) Term: **14 Years**

(21) Appl. No.: **29/337,168**

(22) Filed: **May 15, 2009**

(51) **LOC (9) Cl.** ..... **08-05**

(52) **U.S. Cl.** ..... **D8/354**

(58) **Field of Classification Search** ..... D8/349,  
D8/354, 356, 380; D25/119, 121; 248/200–201,  
248/205.1, 68.1, 74.1, 74.2, 300  
See application file for complete search history.

(56) **References Cited**

**U.S. PATENT DOCUMENTS**

D40,481 S	2/1910	Wright et al.	
D74,722 S	3/1928	Crawford	
D142,539 S	10/1945	White	
D142,540 S	10/1945	White	
2,526,393 A	10/1950	Nelson	
2,679,373 A	5/1954	Henley	
2,770,437 A	11/1956	Pasch	
4,136,847 A	1/1979	Murray	
D253,162 S	10/1979	Sheehan	
4,283,034 A	8/1981	Sheehan	
4,335,865 A	6/1982	Cormier	
4,964,604 A	10/1990	Lombard	
D338,637 S	8/1993	Shenkar	
D355,093 S	2/1995	Morris	
D387,970 S *	12/1997	Enslin	D8/349
D394,862 S *	6/1998	Fischer	D14/253
D397,606 S	9/1998	Tameling	

(Continued)

**OTHER PUBLICATIONS**

Notice of Allowance and Notice of Allowability mailed Feb. 25, 2009 in co-pending U.S. Appl. No. 29/318,079, “*Bracket for Overlapping Window Roller Blinds*,” (5 pages).

(Continued)

*Primary Examiner*—Elizabeth A Albert

*Assistant Examiner*—Kelley A Donnelly

(74) *Attorney, Agent, or Firm*—Pauly, DeVries, Smith & Deffner, L.L.C.

(57) **CLAIM**

The ornamental design for a corner bracket for overlapping window roller blinds, as shown and described.

**DESCRIPTION**

FIG. 1 is a perspective view of a corner bracket for overlapping window roller blinds;

FIG. 2 is a front elevation view thereof;

FIG. 3 is a rear elevation view thereof;

FIG. 4 is a left side elevation view thereof;

FIG. 5 is a right side elevation view thereof;

FIG. 6 is a top plan view thereof;

FIG. 7 is a bottom plan view thereof;

FIG. 8 is a perspective view of a second embodiment of a corner bracket for overlapping window roller blinds;

FIG. 9 is a front elevation view thereof;

FIG. 10 is a rear elevation view thereof;

FIG. 11 is a left side elevation view thereof;

FIG. 12 is a right side elevation view thereof;

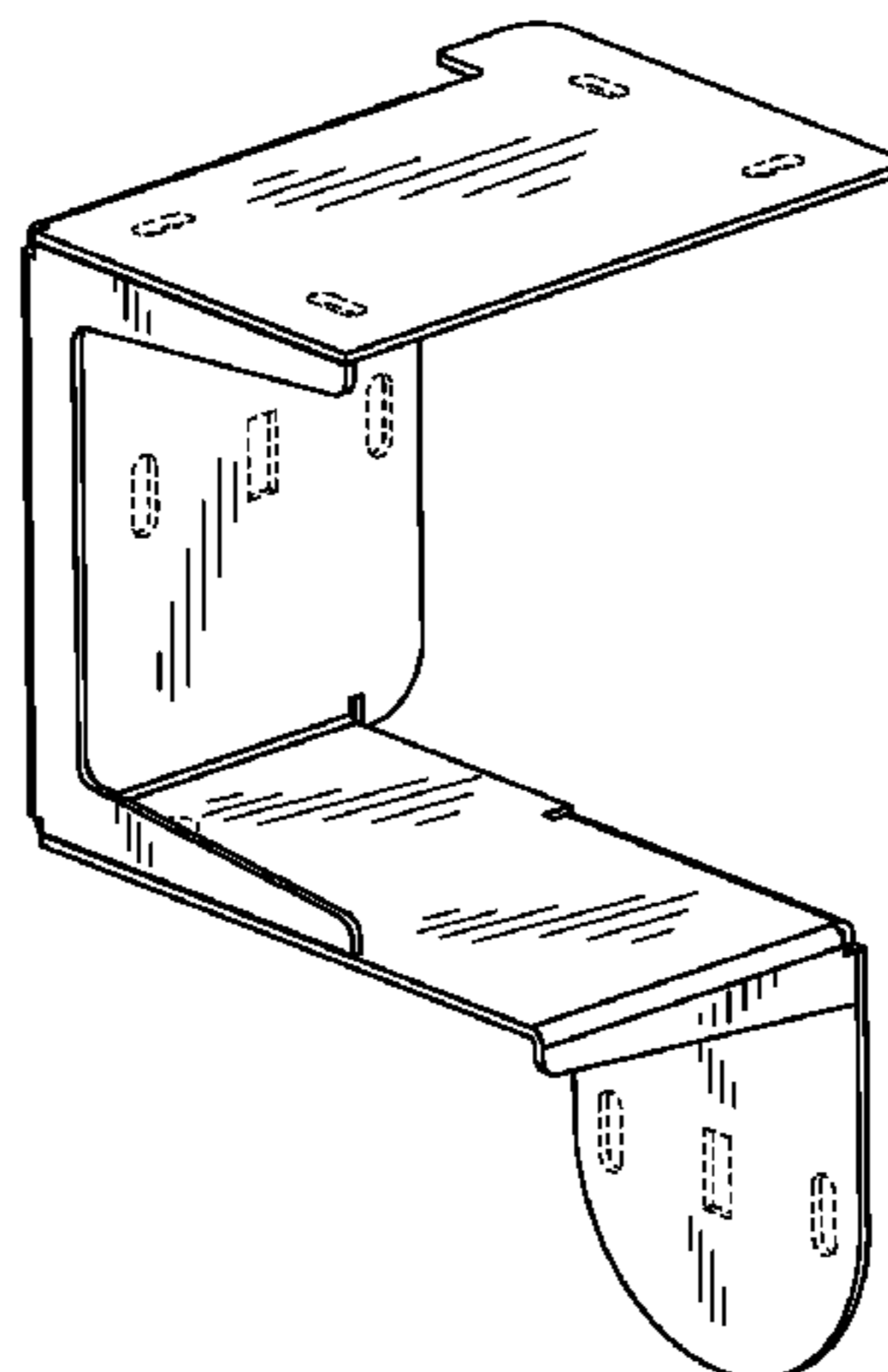
FIG. 13 is a top plan view thereof; and,

FIG. 14 is a bottom plan view thereof.

The broken lines showing is included for the purpose of illustrating environment and forms no part of the claimed design.

The claim includes further embodiments which are mirror images of the top plates shown in FIGS. 1-14.

**1 Claim, 14 Drawing Sheets**



U.S. PATENT DOCUMENTS

D408,722	S	4/1999	Sartini	
D440,447	S	4/2001	Horsten	
D449,220	S	10/2001	Wurdack	
D467,792	S *	12/2002	Zadak et al.	..... D8/373
6,499,709	B1	12/2002	Parent	
D478,804	S	8/2003	Titus	
6,941,996	B2	9/2005	Ward et al.	
D529,792	S *	10/2006	Klein et al.	..... D8/373
D558,041	S *	12/2007	Skinner	..... D8/382
D565,933	S	4/2008	Berry et al.	
D570,037	S *	5/2008	Hartman	..... D26/138
D588,441	S	3/2009	Clarke	
D594,313	S *	6/2009	Clarke	..... D8/354
D595,122	S *	6/2009	Clarke	..... D8/368
D612,224	S *	3/2010	Wendt	..... D8/354

OTHER PUBLICATIONS

Notice of Allowance, Notice of Allowability and form PTO-892 mailed Feb. 13, 2009 in co-pending U.S. Appl. No. 29/322,432, "Bracket for Overlapping Window Roller Blinds," (9 pages).

Notice of Allowance, Notice of Allowability and form PTO-892 mailed Feb. 13, 2009 in co-pending U.S. Appl. No. 29/322,433, "Bracket for Overlapping Window Roller Blinds," (8 pages).

Design Patent Application titled "Bracket for Overlapping Window Roller Blinds", filed May 13, 2008, U.S. Appl. No. 29/318,079 (5 pages).

Design Patent Application titled "Bracket for Overlapping Window Roller Blinds", filed Aug. 5, 2008, U.S. Appl. No. 29/322,432 (5 pages).

Design Patent Application titled "Bracket for Overlapping Window Roller Blinds", filed Aug. 5, 2008, U.S. Appl. No. 29/322,433 (5 pages).

Design Patent Application titled "Overlapping Roller Blind System", Filed Even date herewith, (23 pages).

Design Patent Application titled "Top Plate Component for Overlapping Blind System", Filed Even date herewith, (23 pages).

"Bracket for Dual Window Roller Blinds", Made by Designed Blinds Australia Available before Dec. 13, 2007.

\* cited by examiner

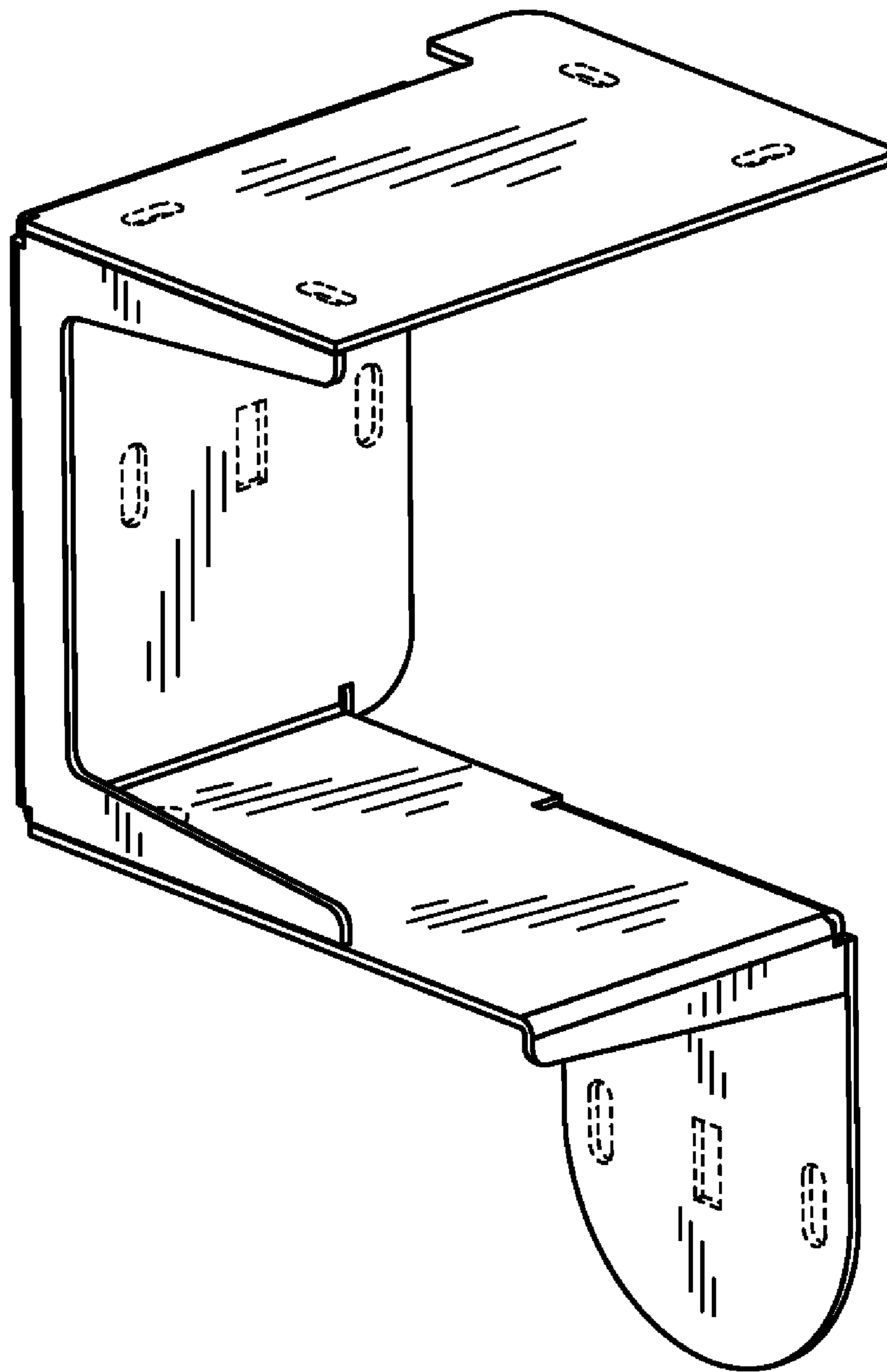


FIG. 1

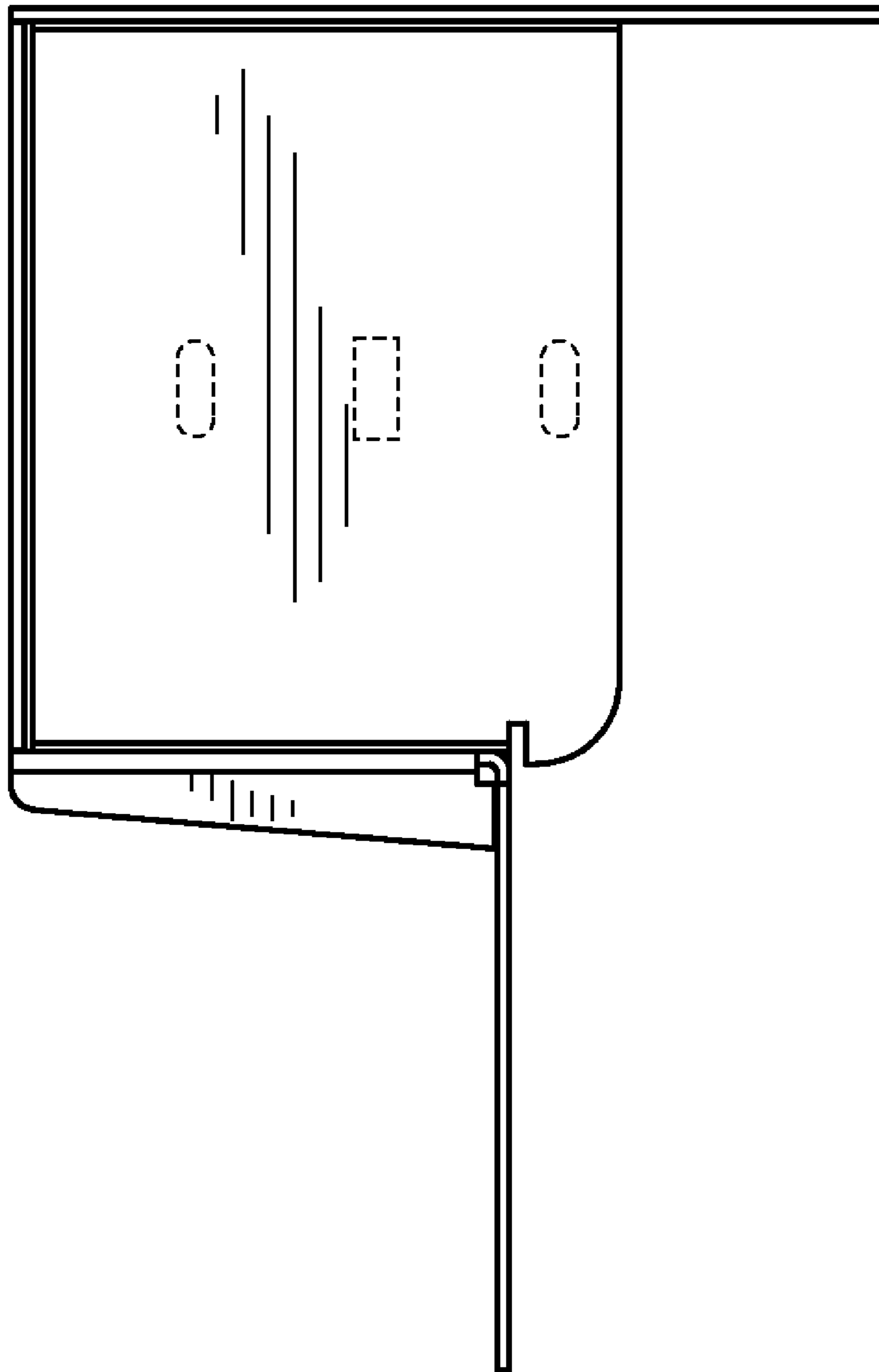


FIG. 2

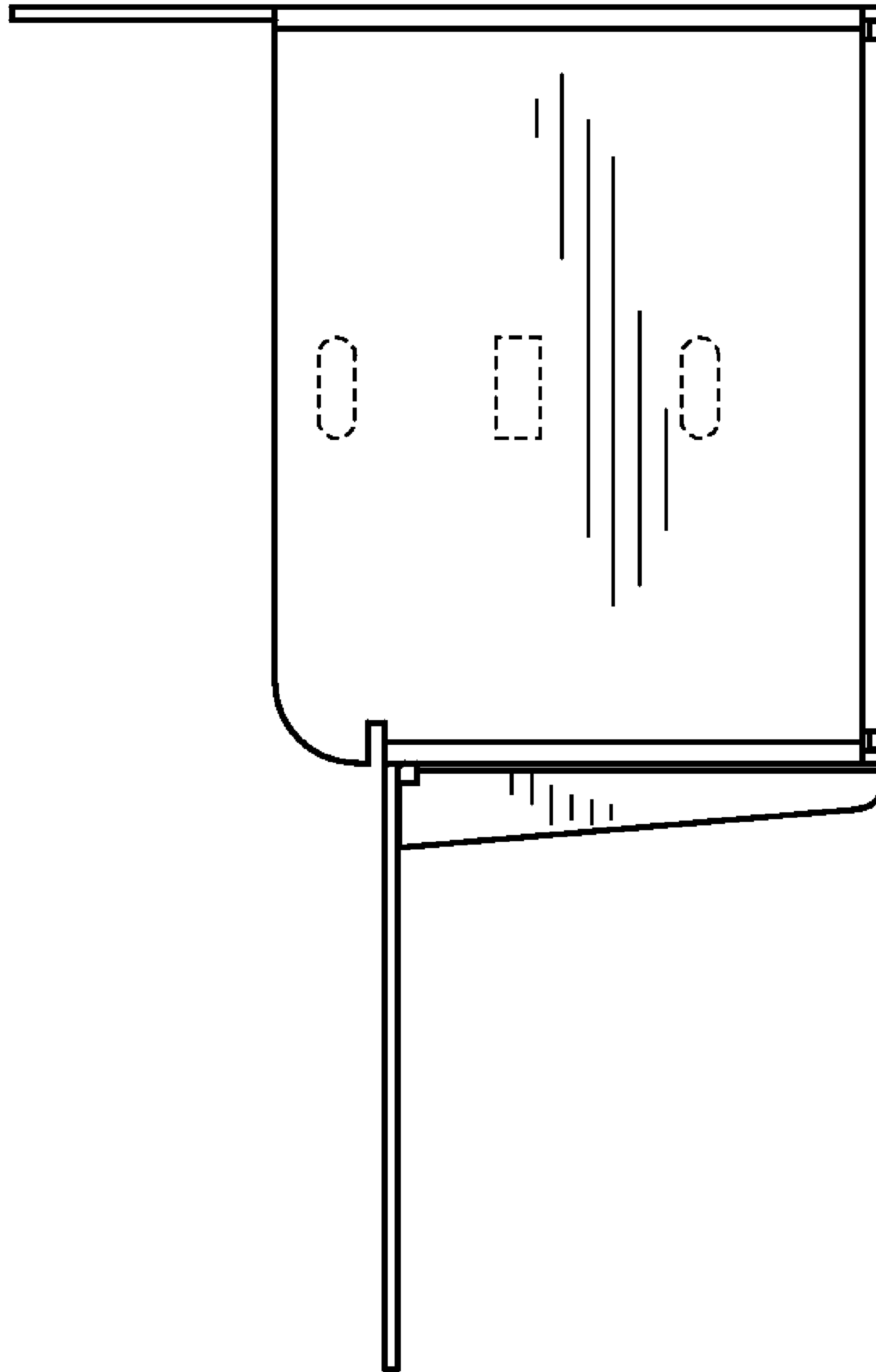


FIG. 3

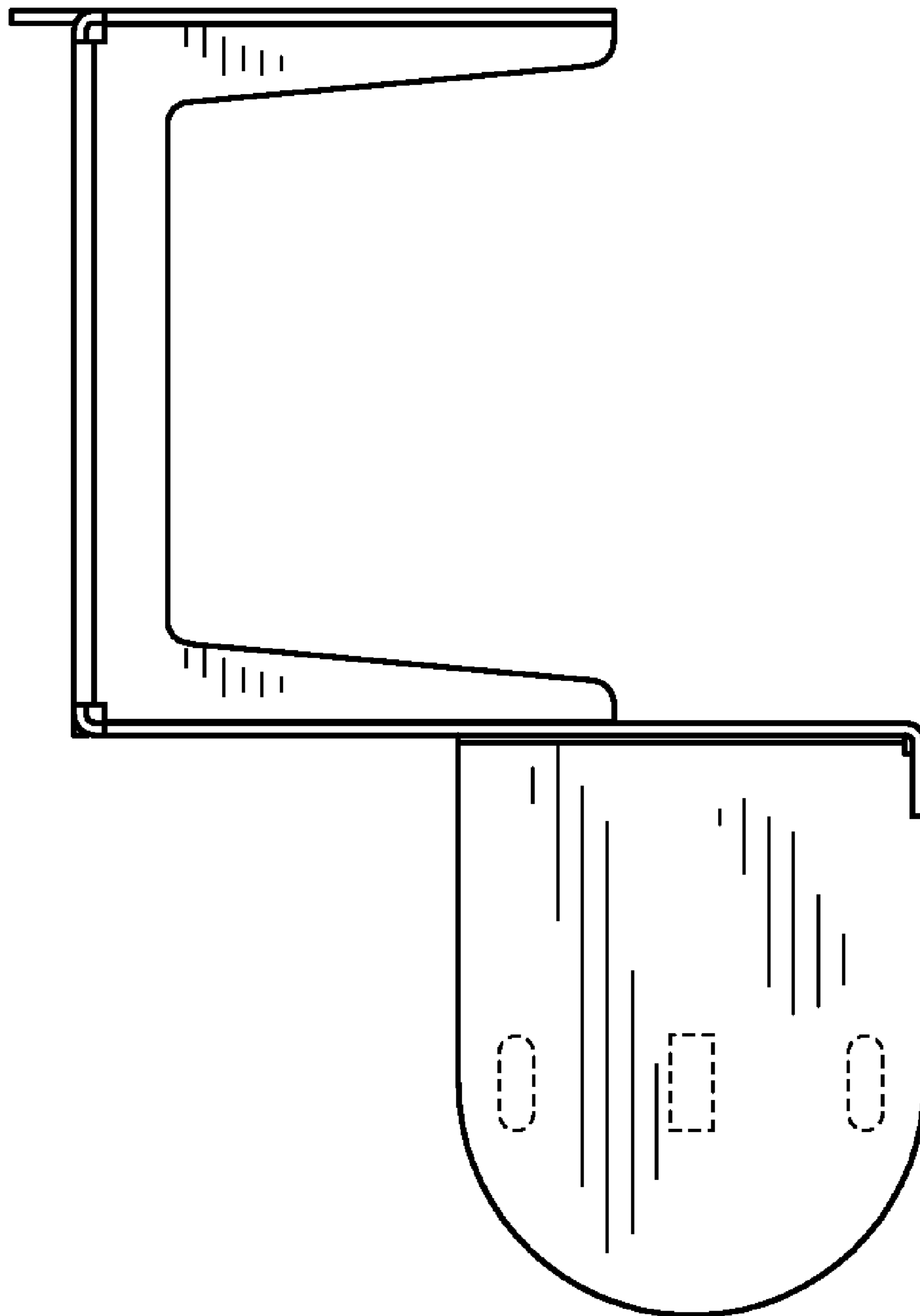


FIG. 4

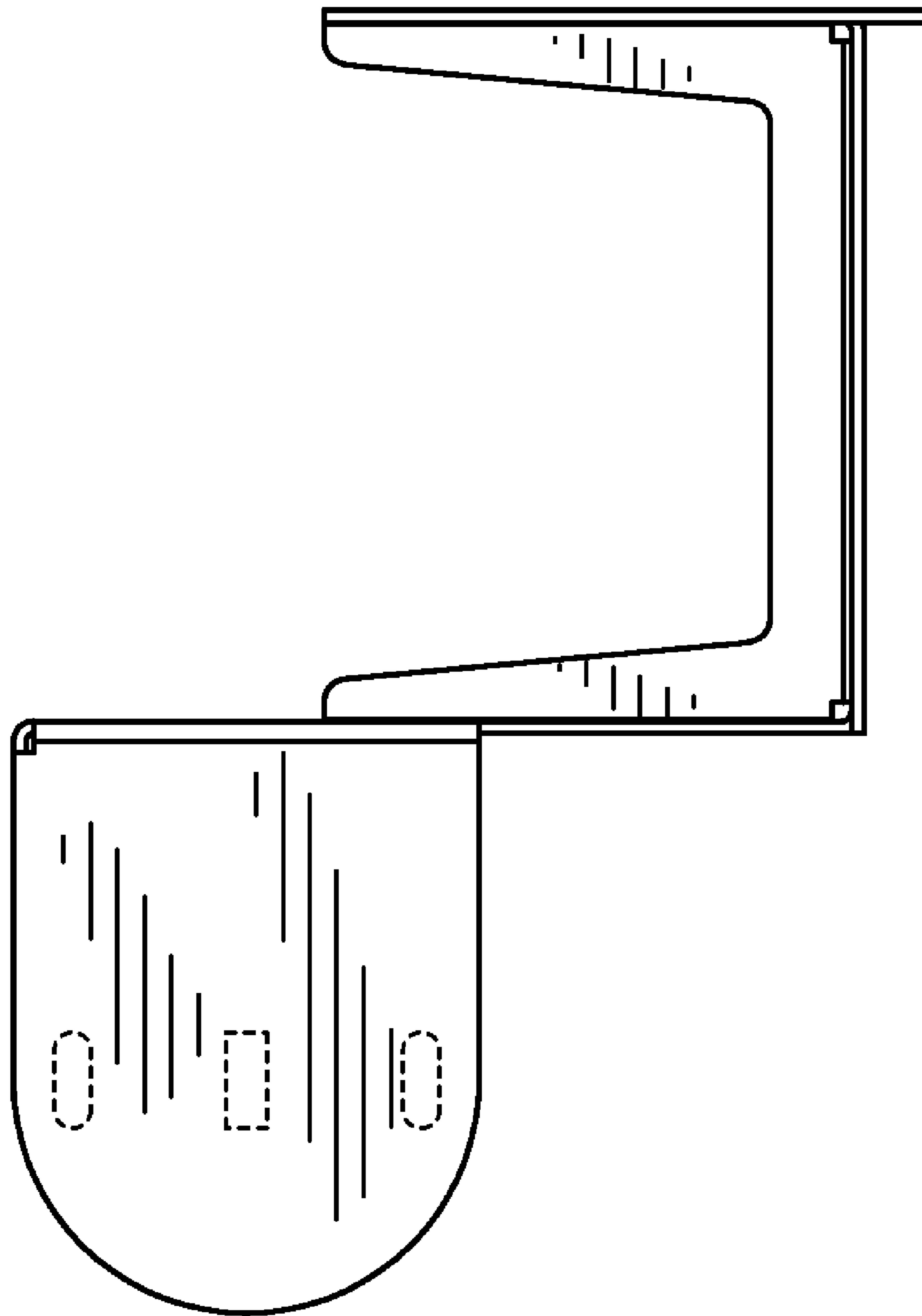


FIG. 5

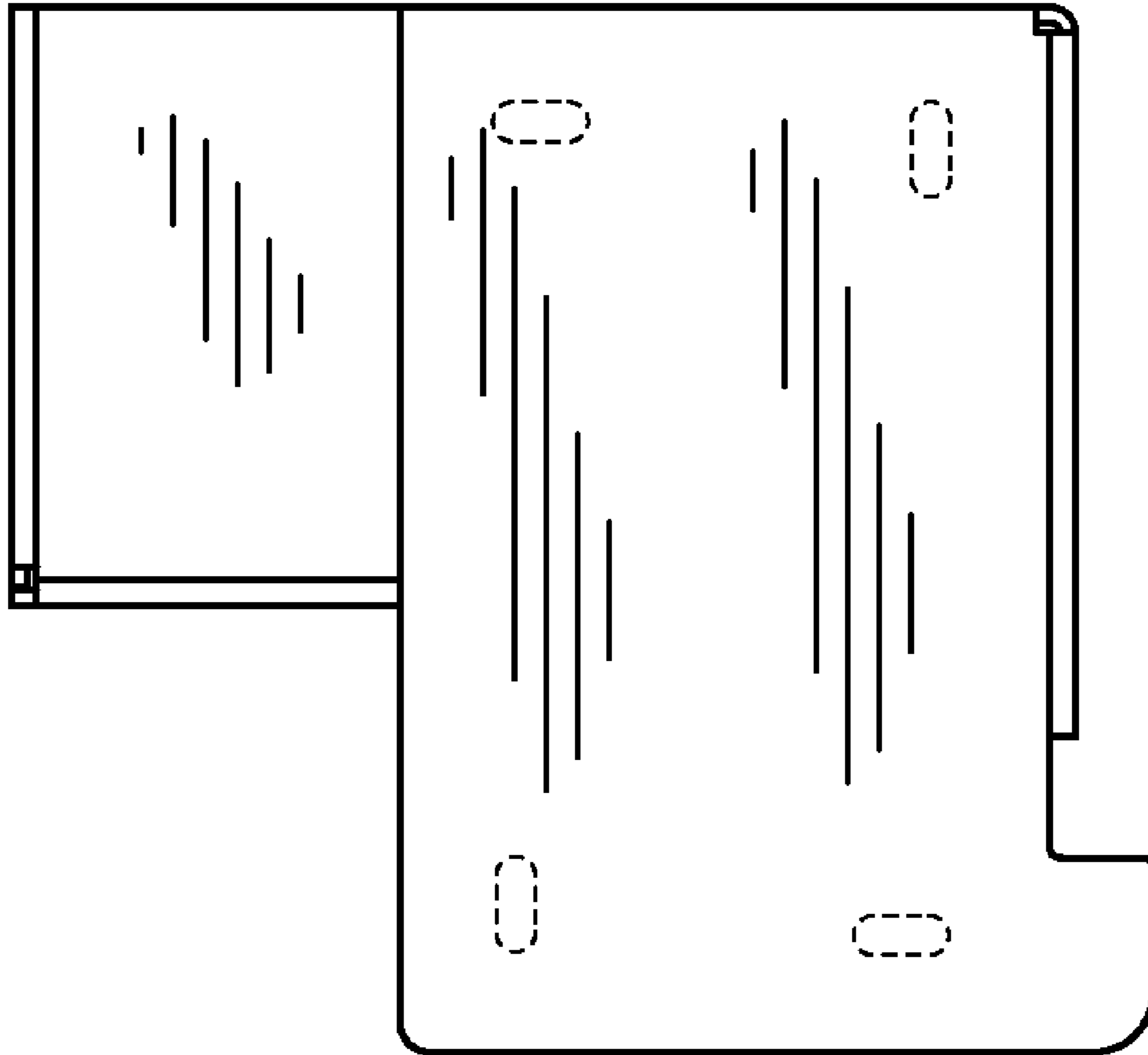


FIG. 6



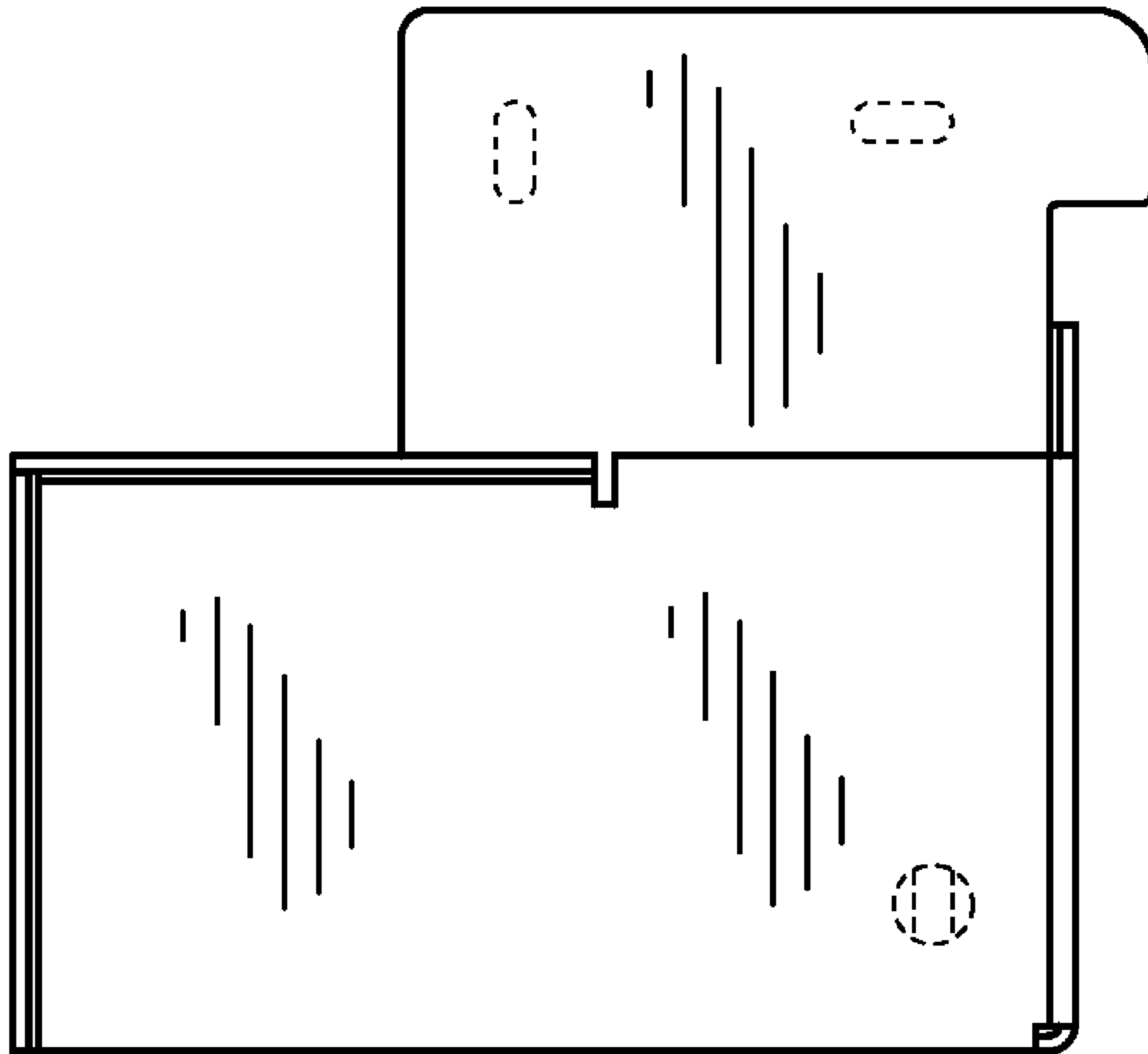


FIG. 7

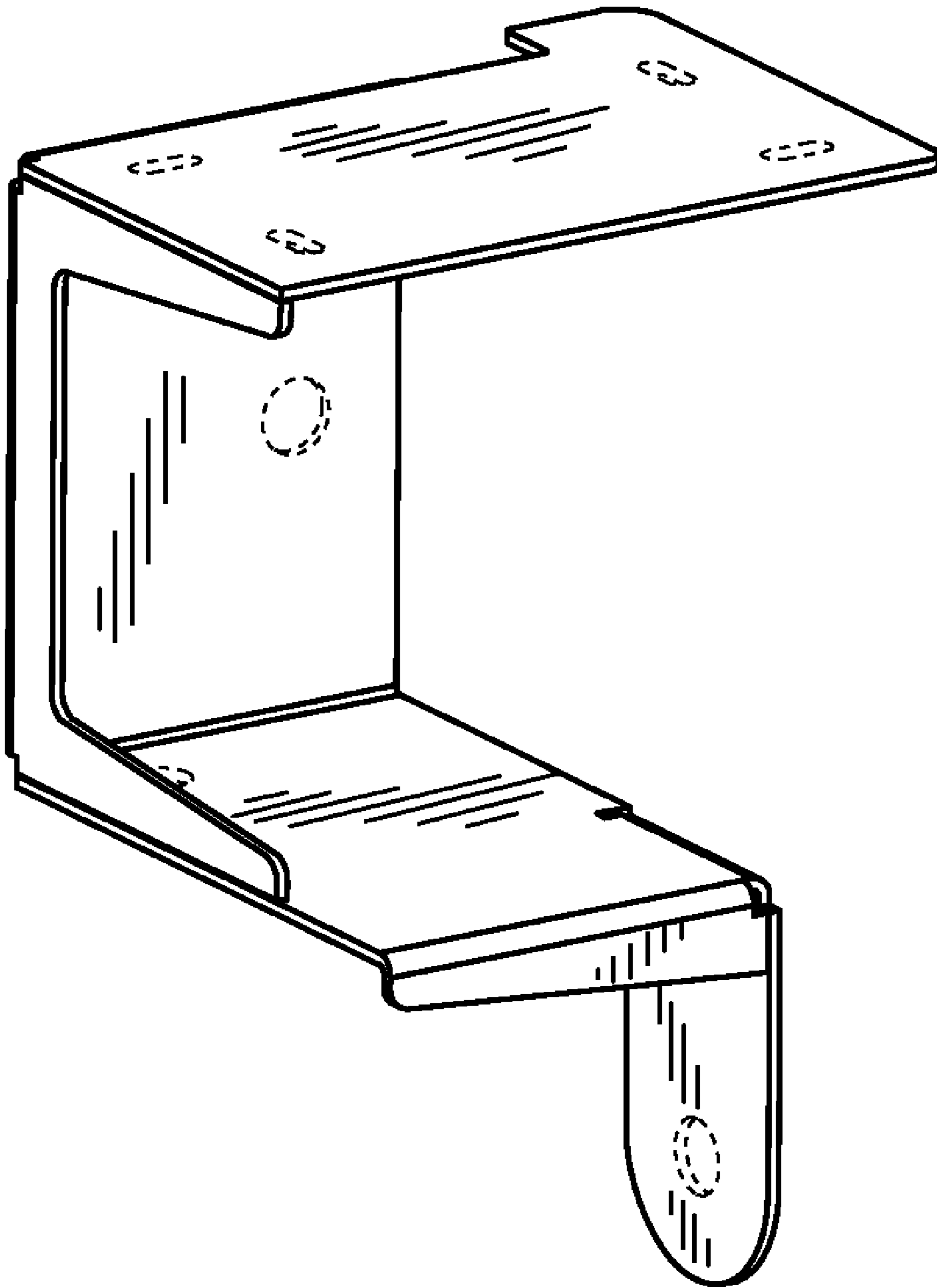


FIG. 8

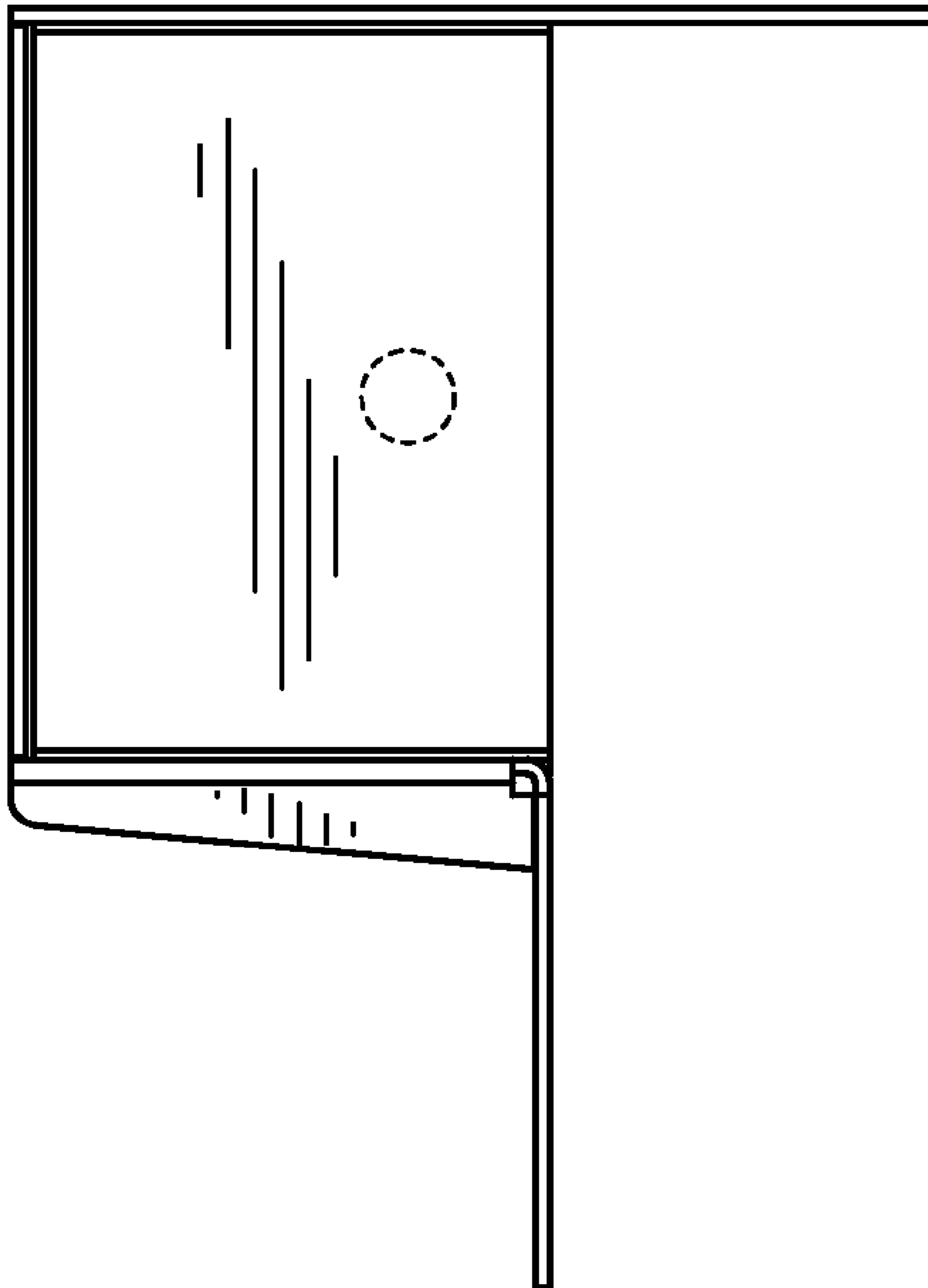


FIG. 9

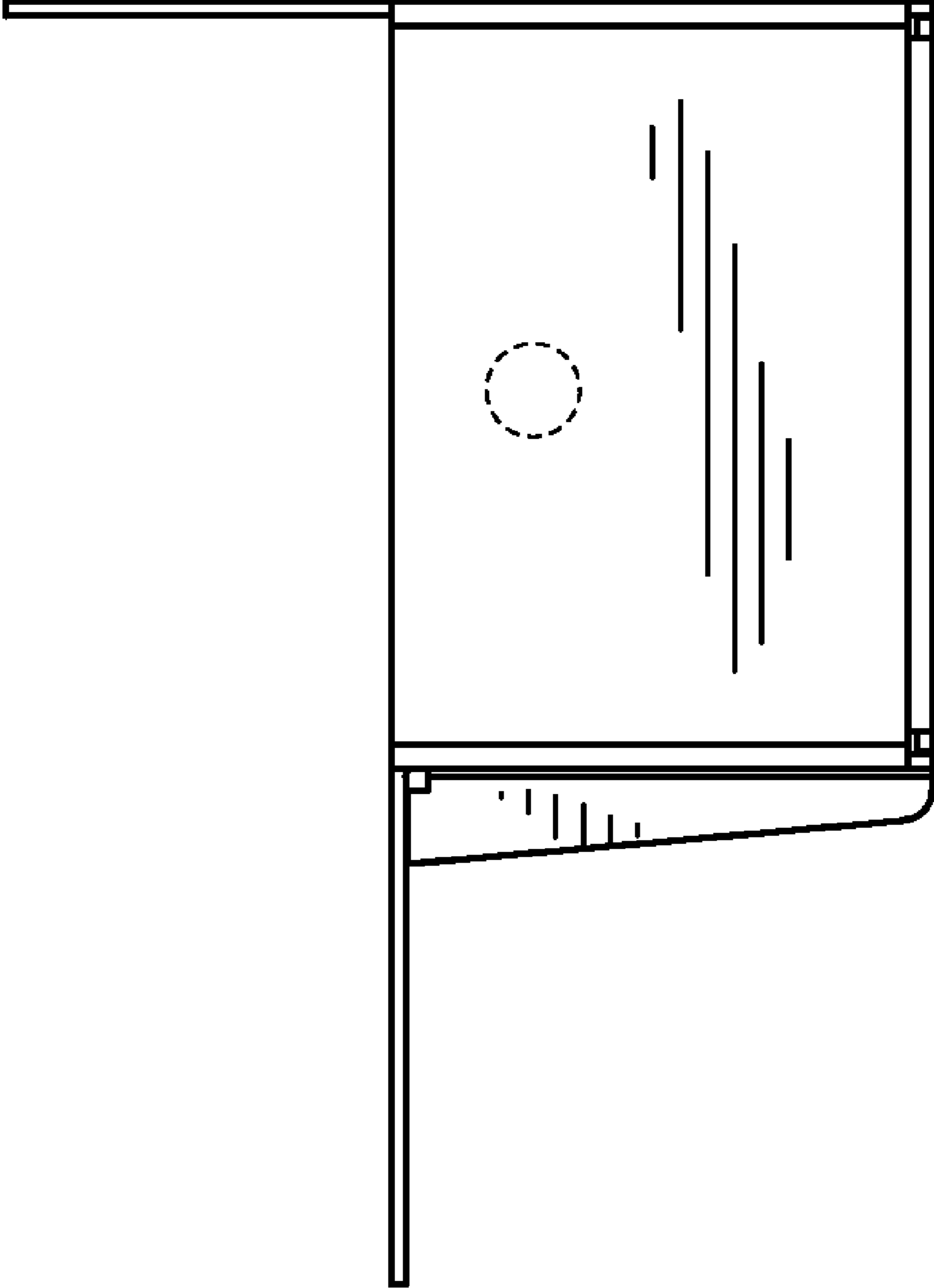


FIG. 10

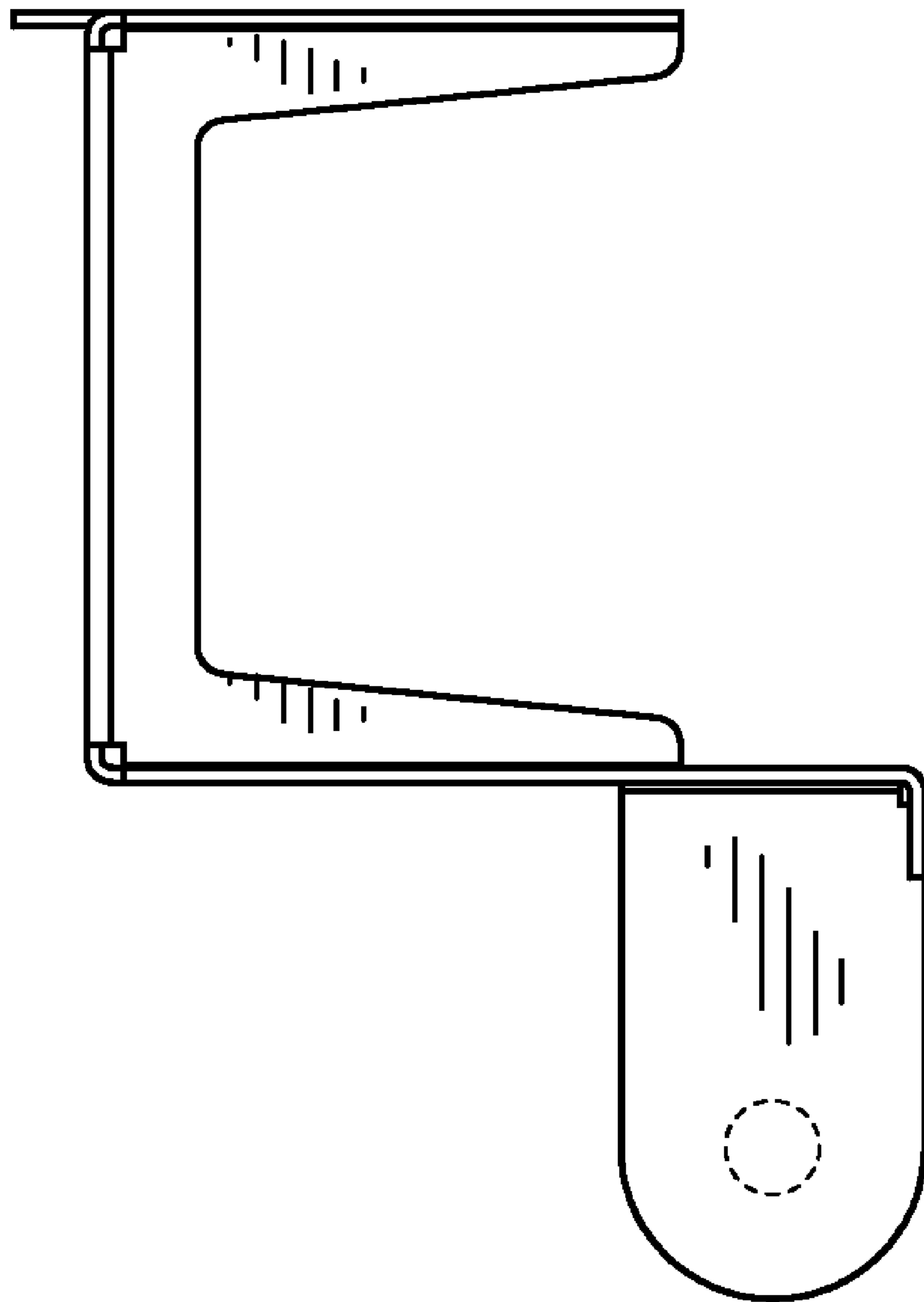


FIG. 11

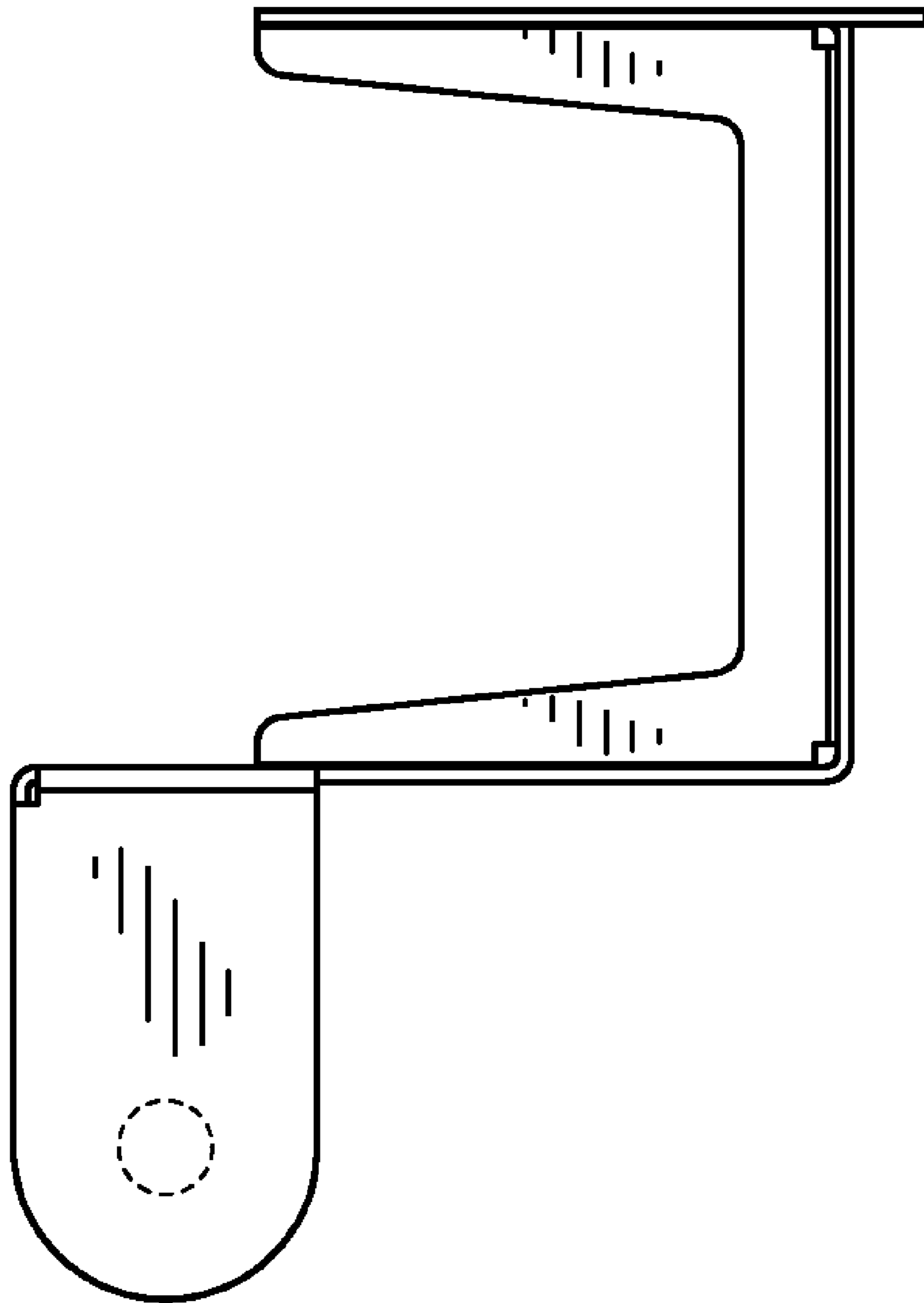


FIG. 12

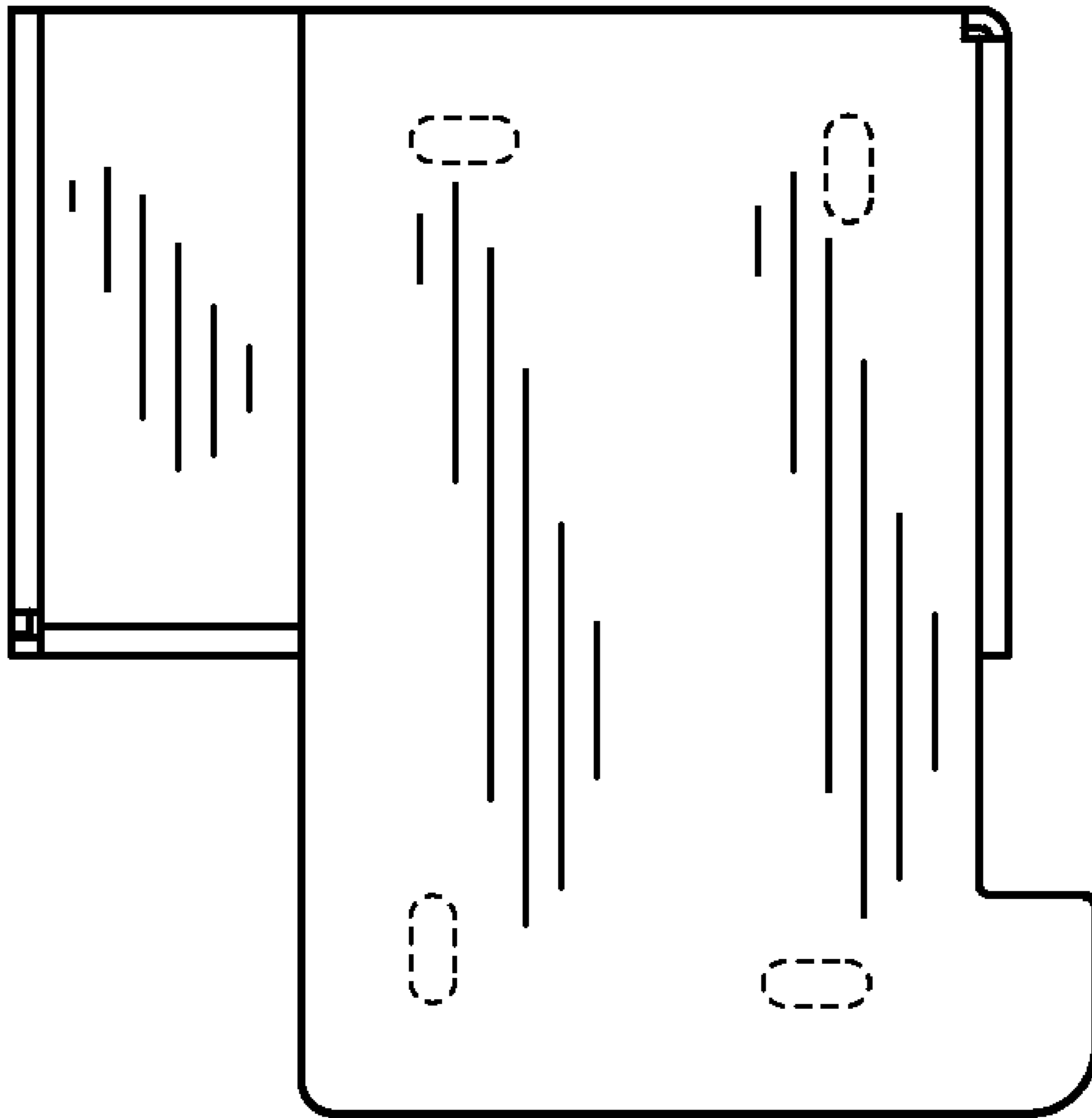


FIG. 13

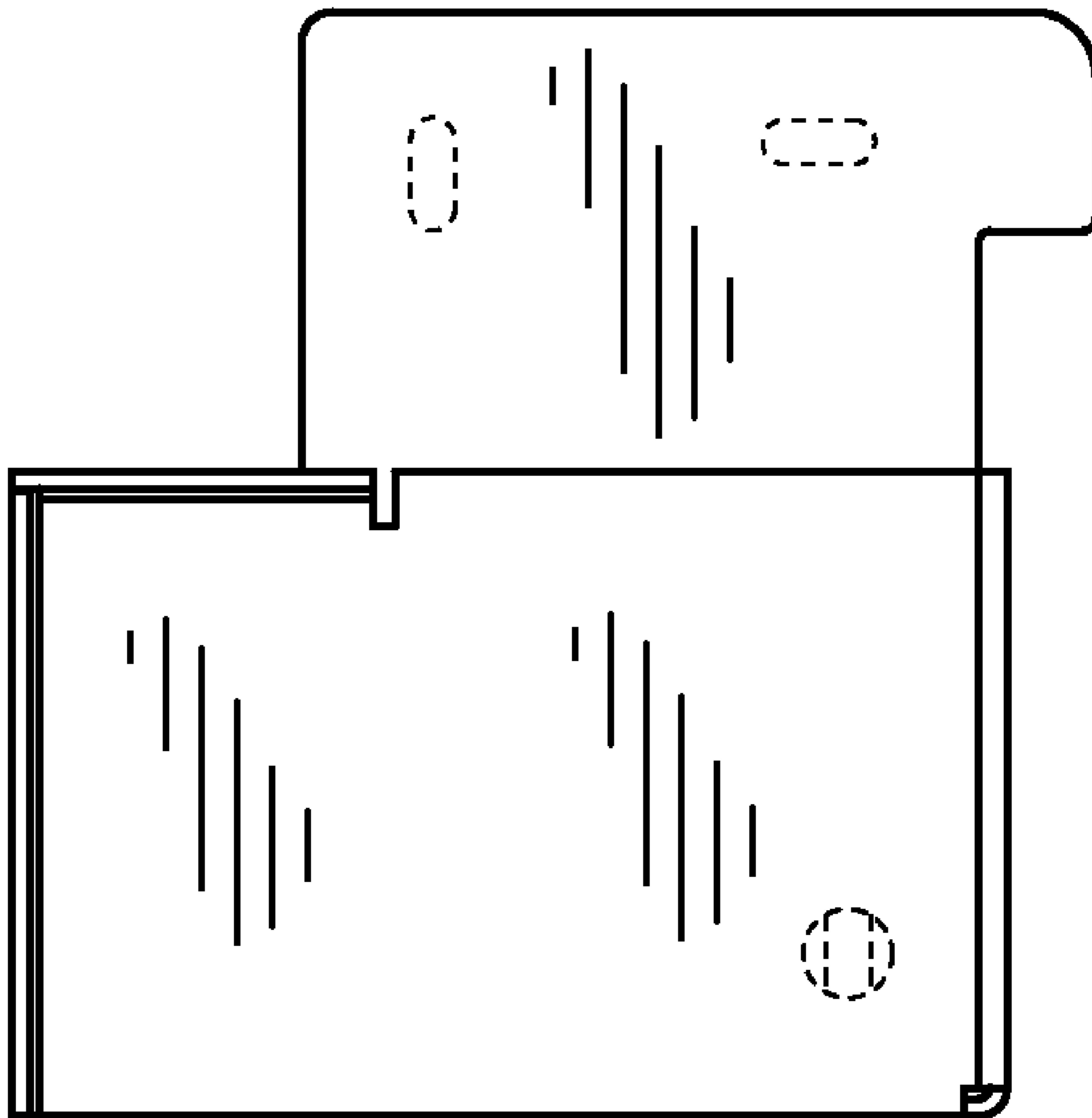


FIG. 14