



US00D624804S

(12) **United States Design Patent**
Wellard

(10) **Patent No.:** **US D624,804 S**
(45) **Date of Patent:** **** Oct. 5, 2010**

(54) **BRACKET FOR SUPPORTING RAILING FROM A POST**

DESCRIPTION

(75) Inventor: **Jeffrey Paul Wellard**, Lower Plenty (AU)

FIG. 1. is a front perspective view of the bracket for supporting railing from a post.

(73) Assignee: **Independent Fastening Systems Pty Ltd**, Victoria (AU)

FIG. 2 is a rear perspective view of the subject invention.

(**) Term: **14 Years**

FIG. 3. is a top view of the subject invention.

(21) Appl. No.: **29/312,739**

FIG. 4 is a rear view of the subject invention.

(22) Filed: **Nov. 10, 2008**

FIG. 5. is a right side view of the subject invention, the opposite side being a mirror image thereof.

(51) **LOC (9) Cl.** **08-05**

FIG. 6. is a front view of the subject invention.

(52) **U.S. Cl.** **D8/354**

FIG. 7. is a bottom view of the subject invention.

(58) **Field of Classification Search** D8/349,
D8/354, 356, 366, 373, 380, 382, 394, 395,
D8/381, 363; D25/119, 122-125; 52/36.6,
52/81.3, 173.3; 403/218, 219, 169, 172;
296/97.7

FIG. 8. is a front perspective view of the bracket for supporting railing from a post of a second embodiment of the subject invention in which the view is similar to that of FIG. 1.

See application file for complete search history.

FIG. 9. is a rear perspective view of the subject invention, of a second embodiment of the subject invention in which the view is similar to that of FIG. 2.

(56) **References Cited**

U.S. PATENT DOCUMENTS

D316,511 S *	4/1991	White, Jr.	D8/373
D569,228 S *	5/2008	Terada et al.	D8/349
D587,559 S *	3/2009	Jones et al.	D8/349
D588,440 S *	3/2009	Antonic	D8/354
D595,567 S *	7/2009	Riding	D8/380

FIG. 10. is a top view of the subject invention, of a second embodiment of the subject invention in which the view is similar to that of FIG. 3.

* cited by examiner

FIG. 11. is a rear view of the subject invention, of a second embodiment of the subject invention in which the view is similar to that of FIG. 4.

Primary Examiner—Melody N Brown

(74) *Attorney, Agent, or Firm*—Husch Blackwell Welsh Katz

FIG. 12. is a right side view of the subject invention, the opposite side being a mirror image thereof, of a second embodiment of the subject invention in which the view is similar to that of FIG. 5.

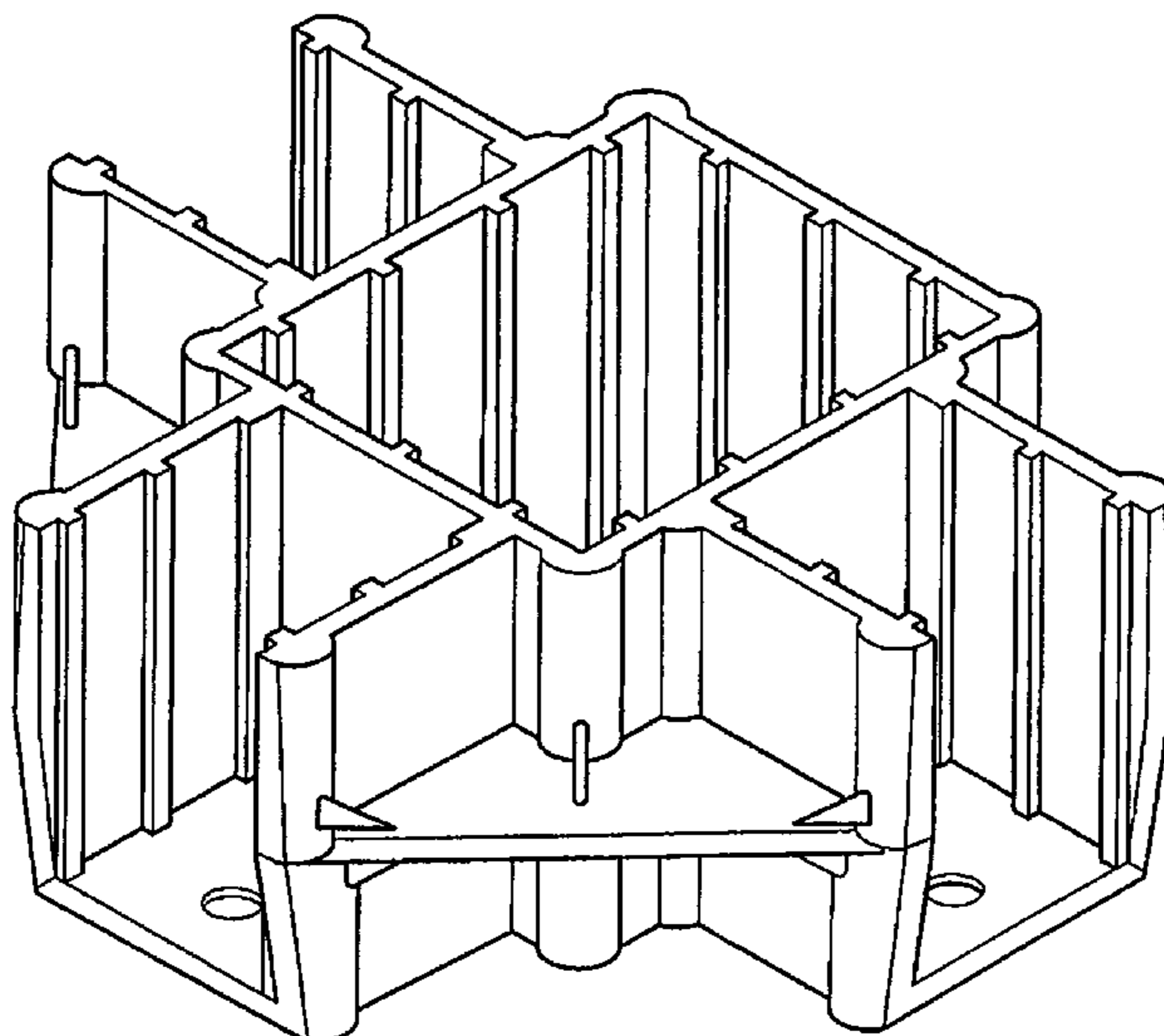
(57) **CLAIM**

The ornamental design for a bracket for supporting railing from a post, as shown and described.

FIG. 13. is a front view of the subject invention, of a second embodiment of the subject invention in which the view is similar to that of FIG. 6; and,

FIG. 14. is a bottom view of the subject invention, of a second embodiment of the subject invention in which the view is similar to that of FIG. 7. The broken lines showing in this figure form no part of the claimed design.

1 Claim, 14 Drawing Sheets



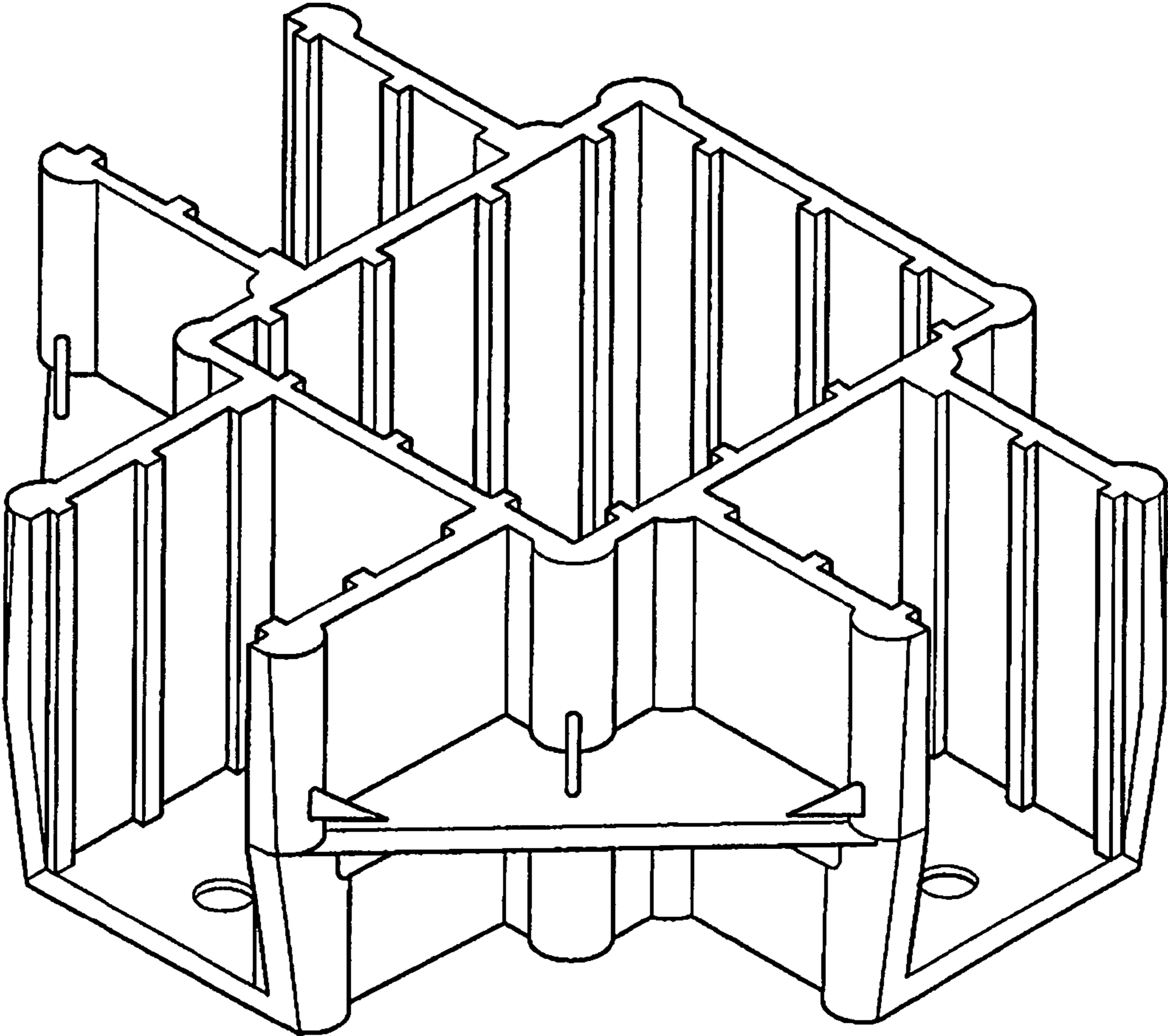


FIGURE 1

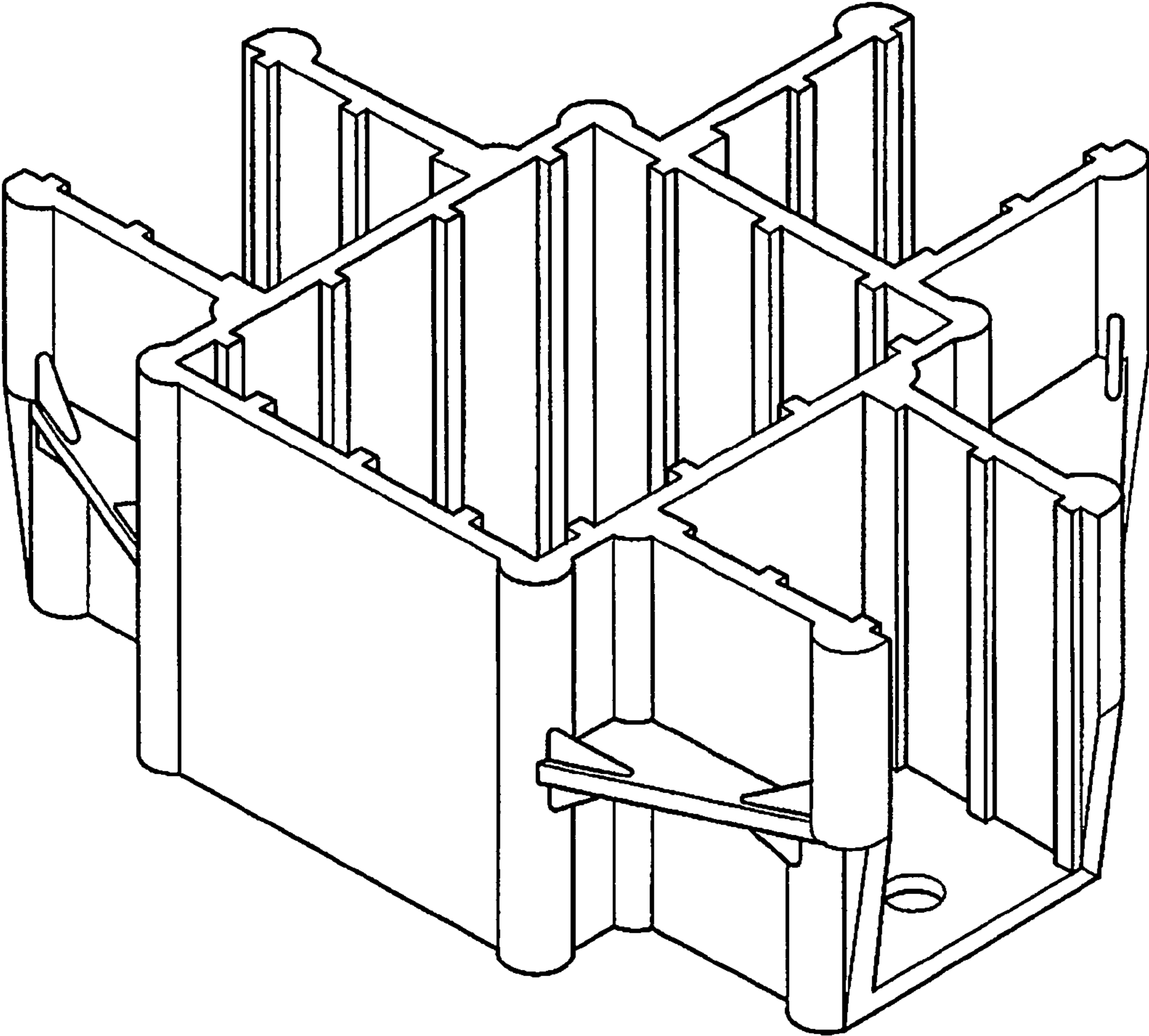


FIGURE 2

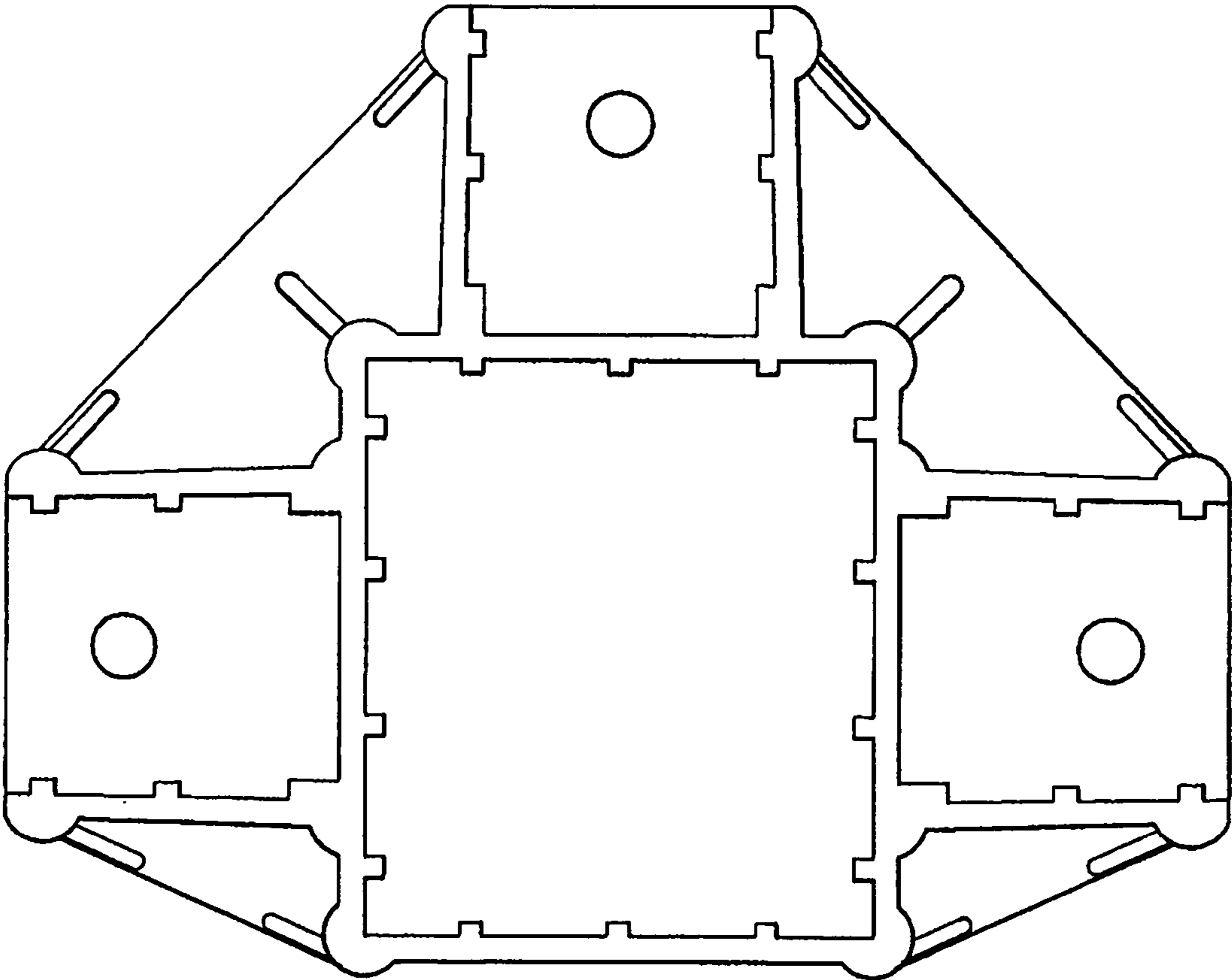


FIGURE 3

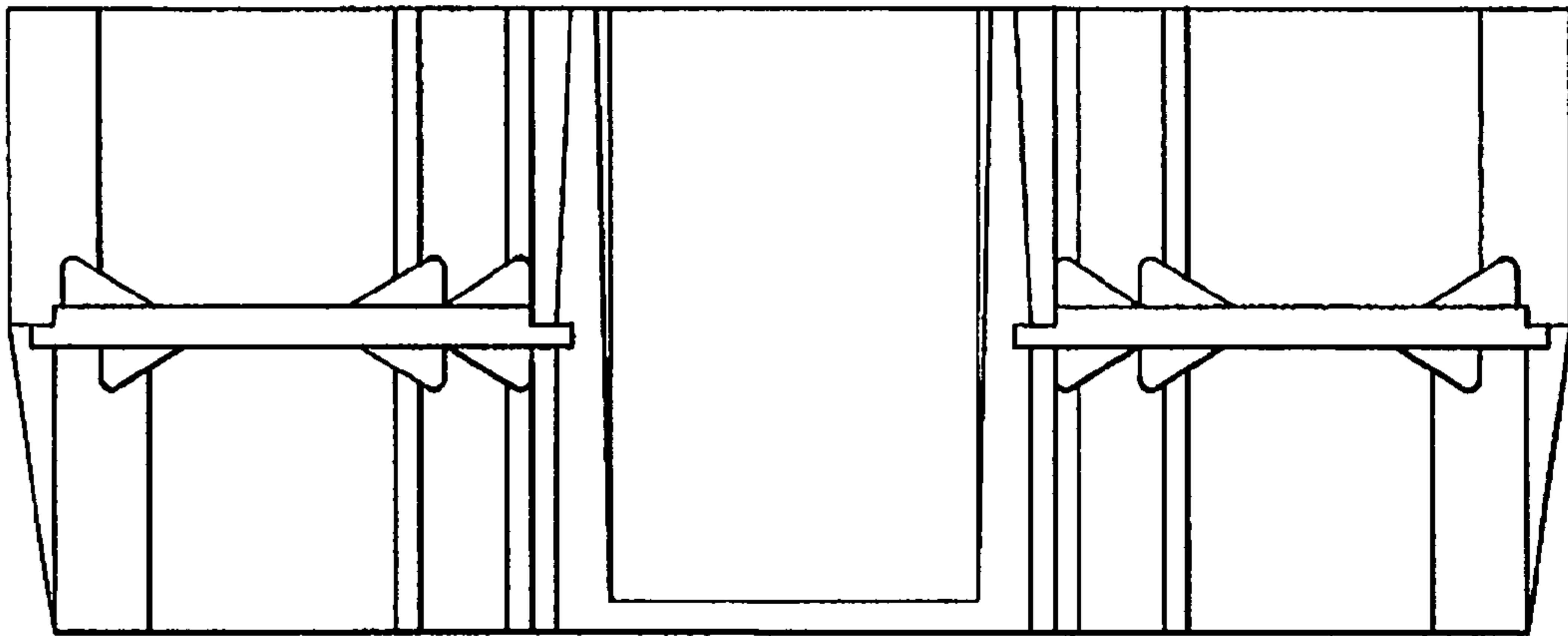


FIGURE 4

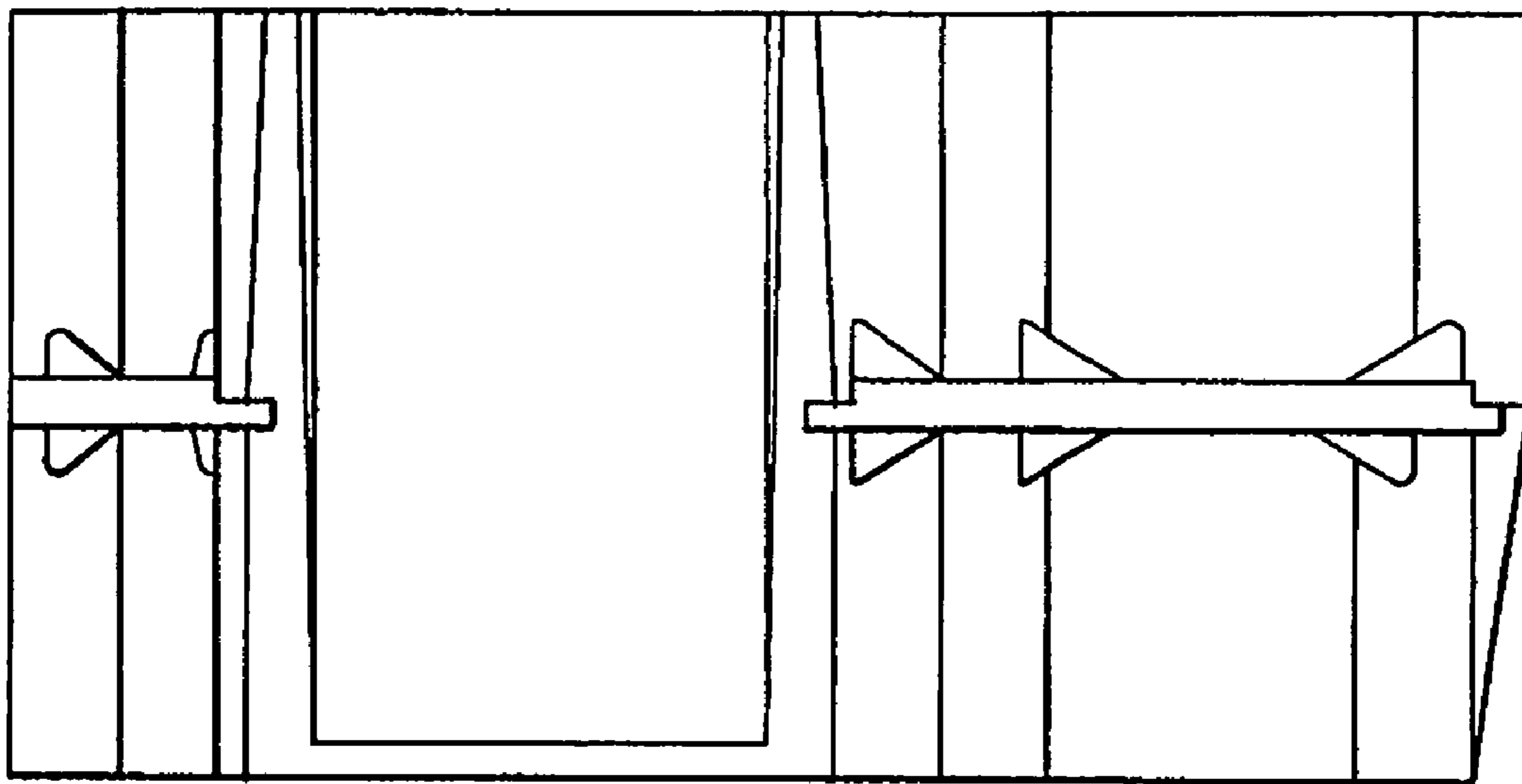


FIGURE 5

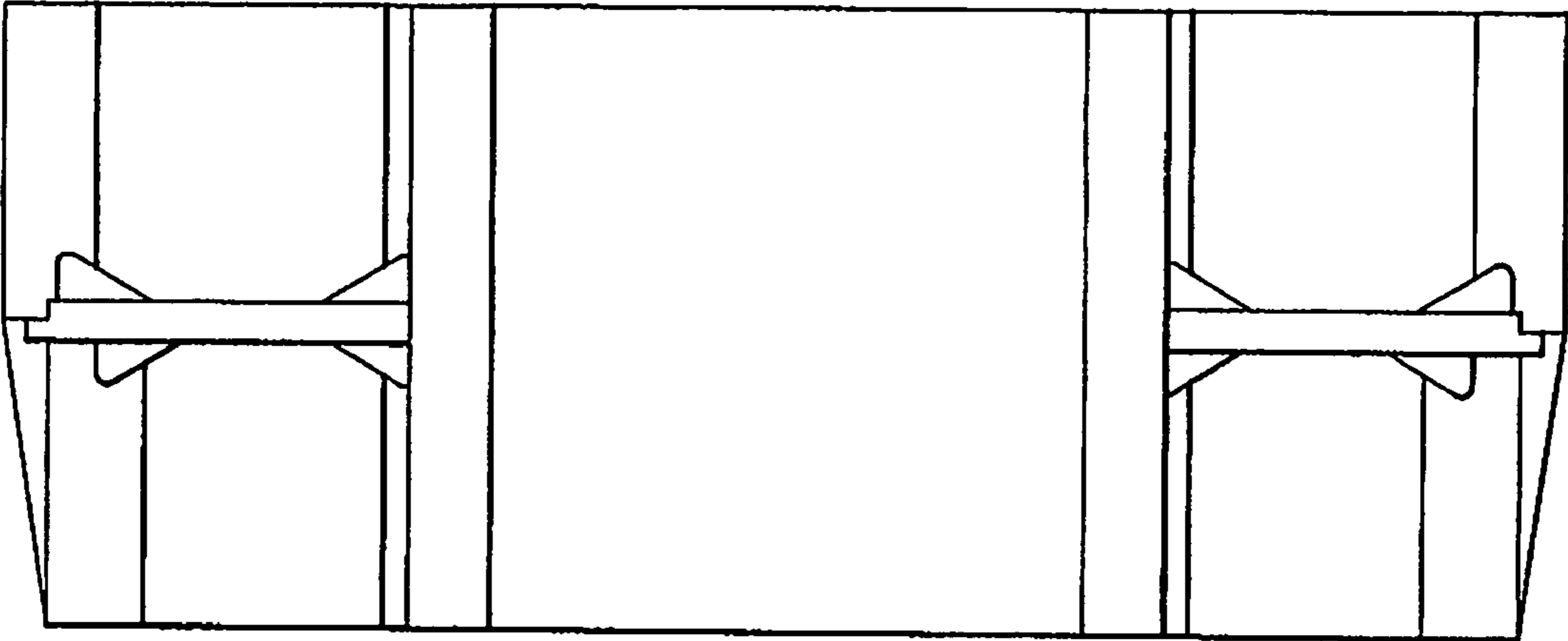


FIGURE 6

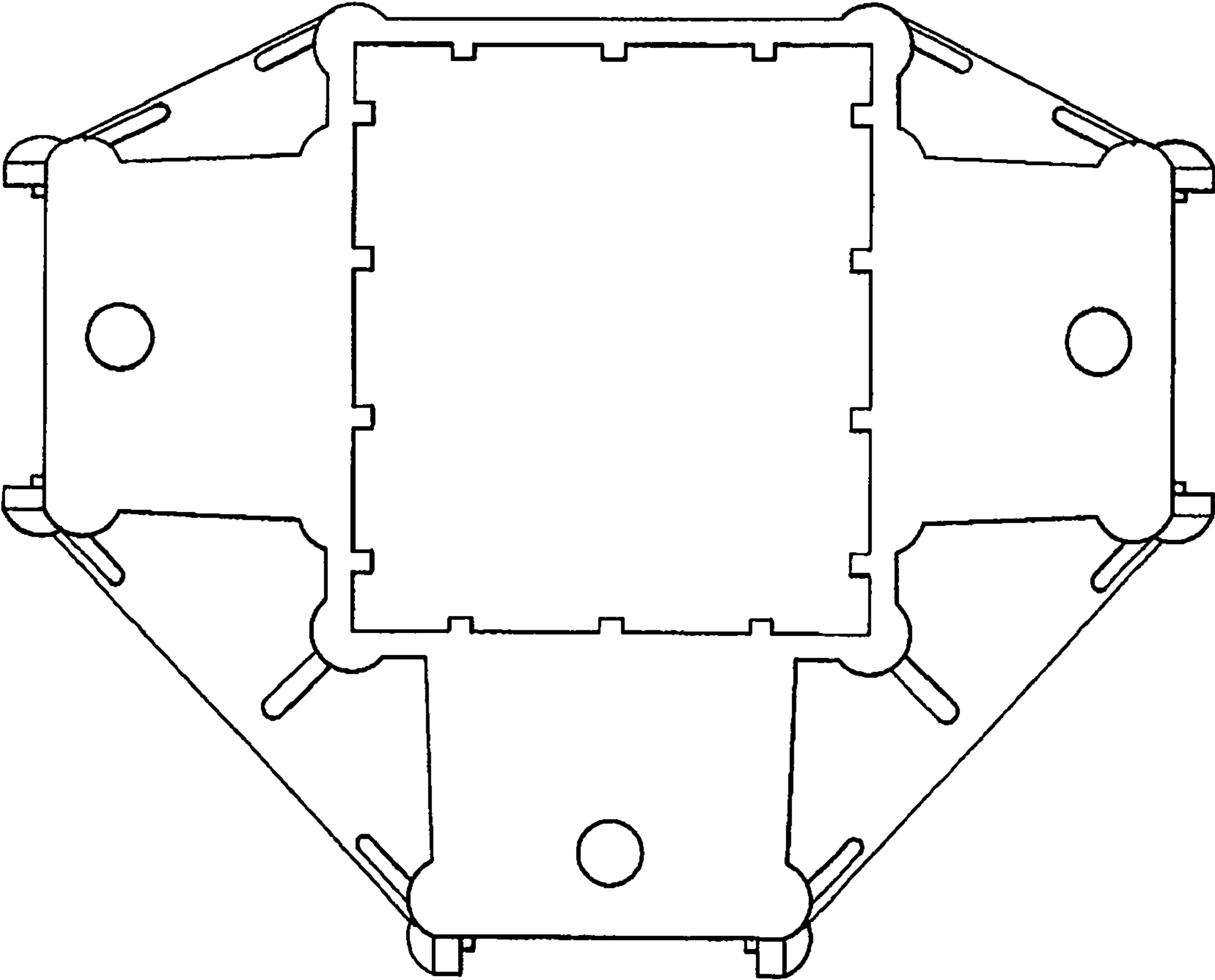


FIGURE 7

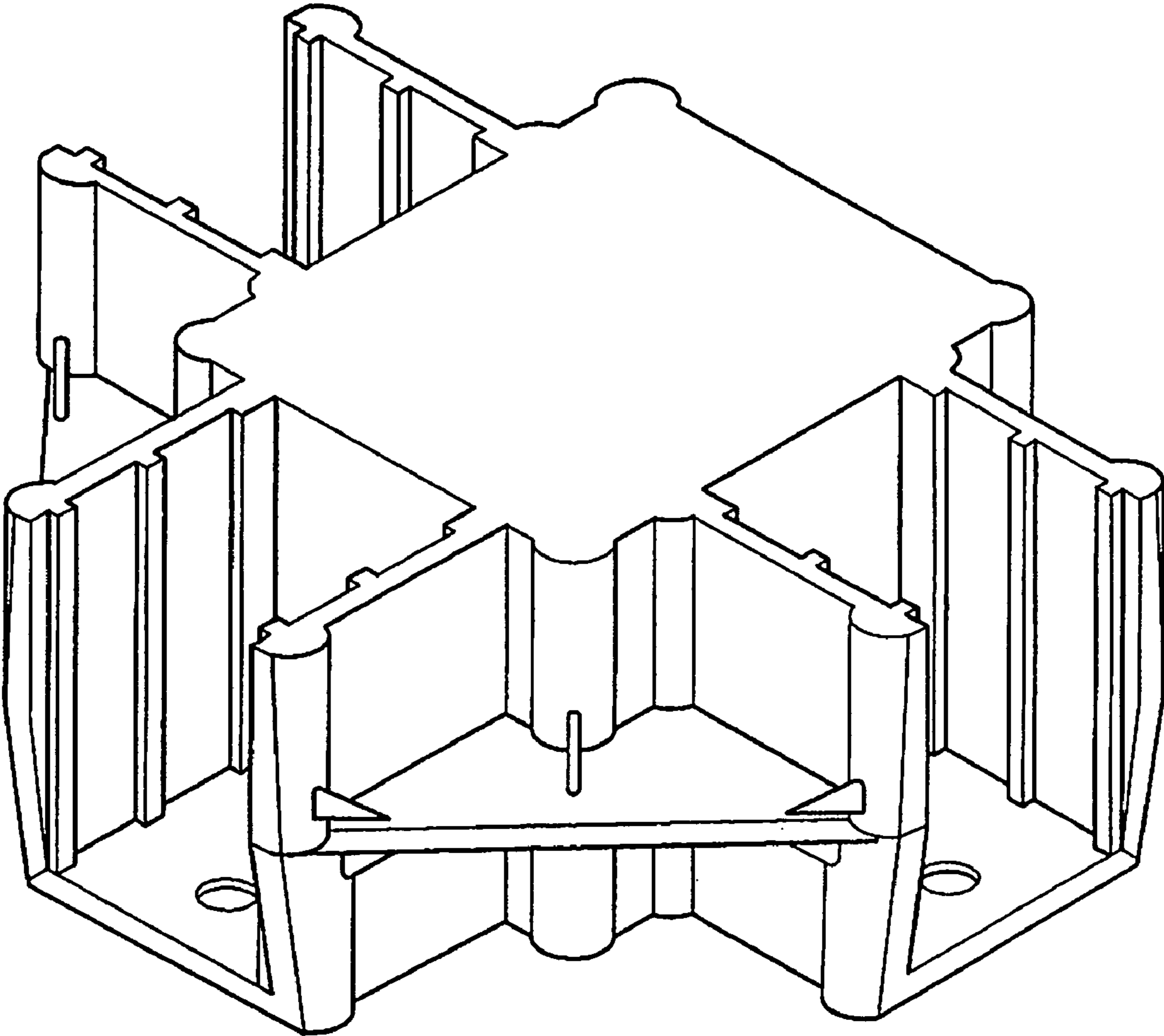


FIGURE 8

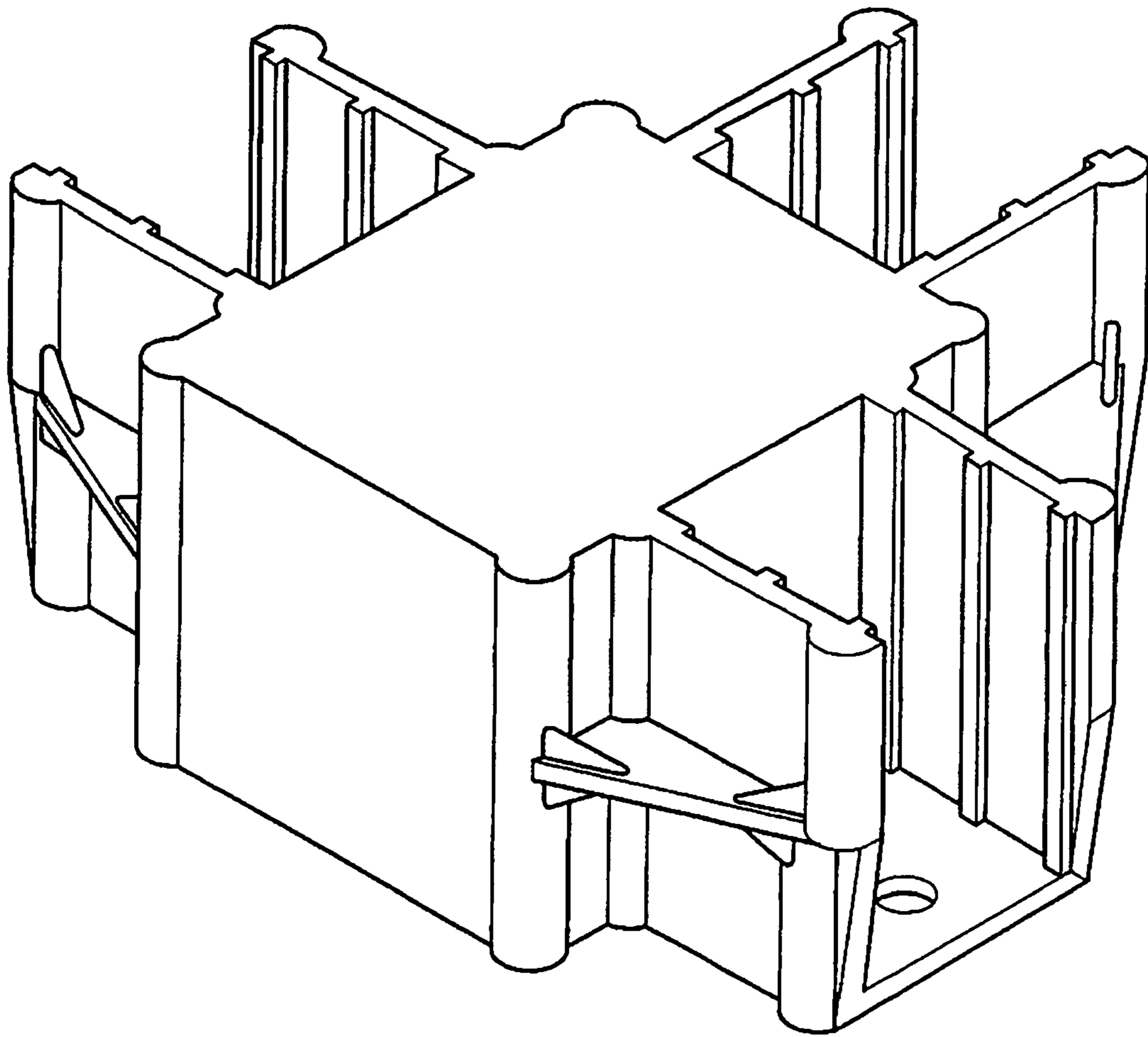


FIGURE 9

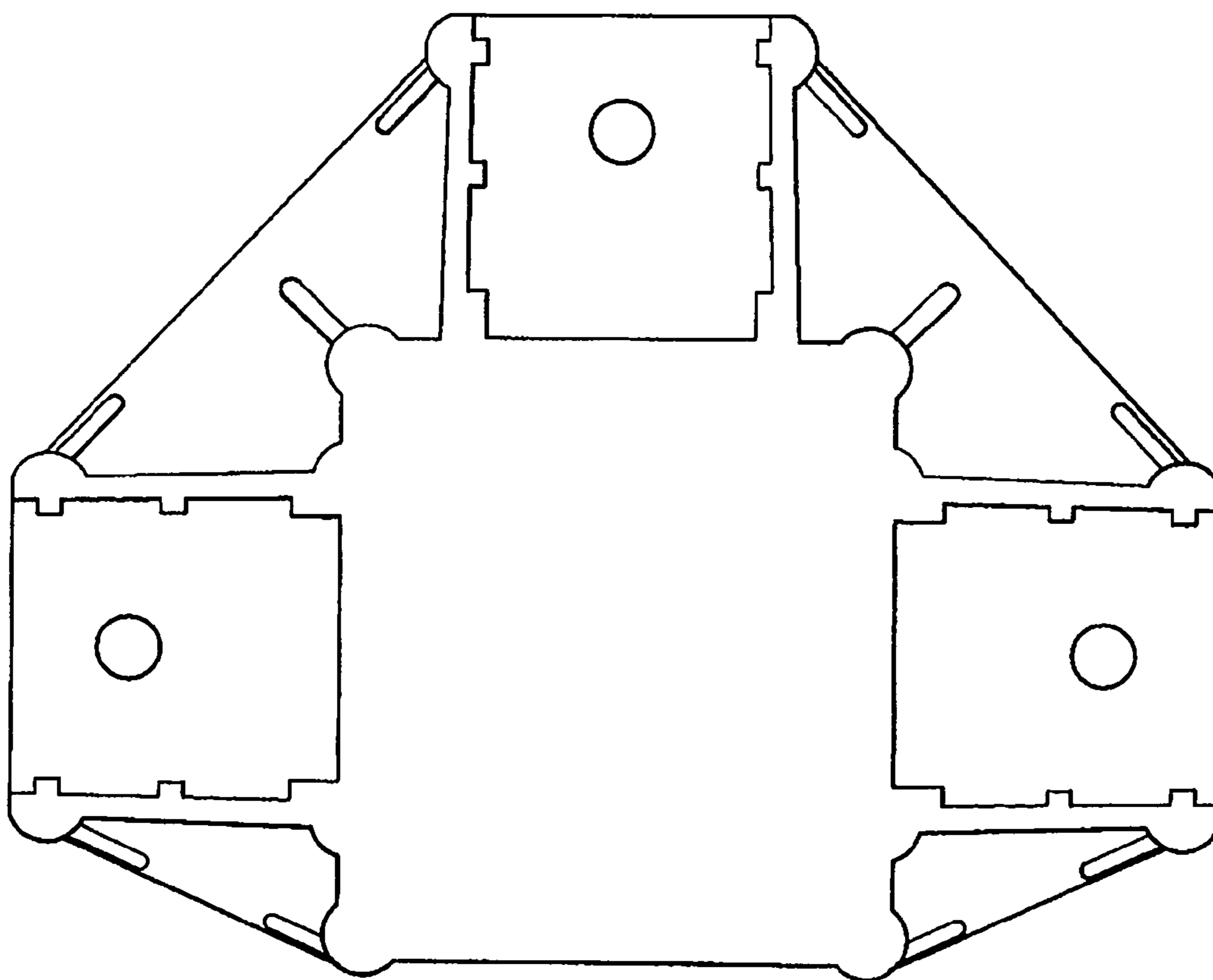


FIGURE 10

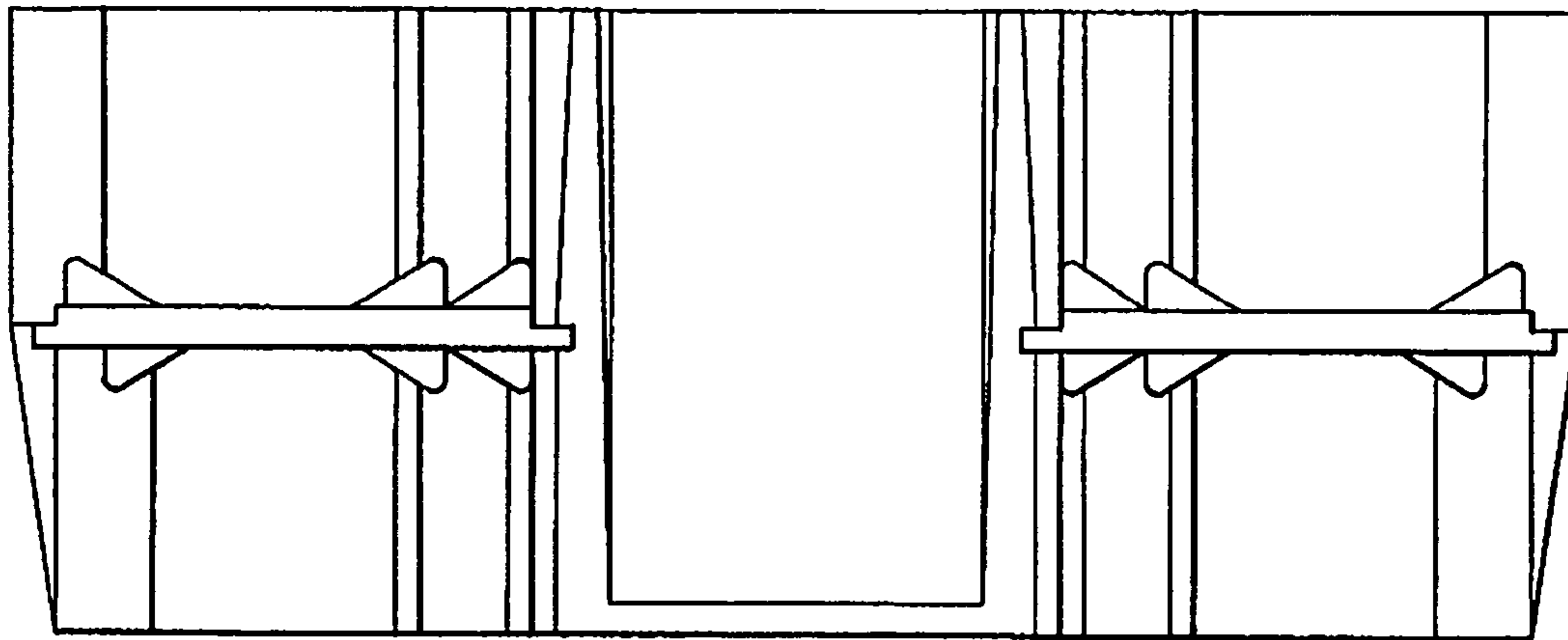


FIGURE 11

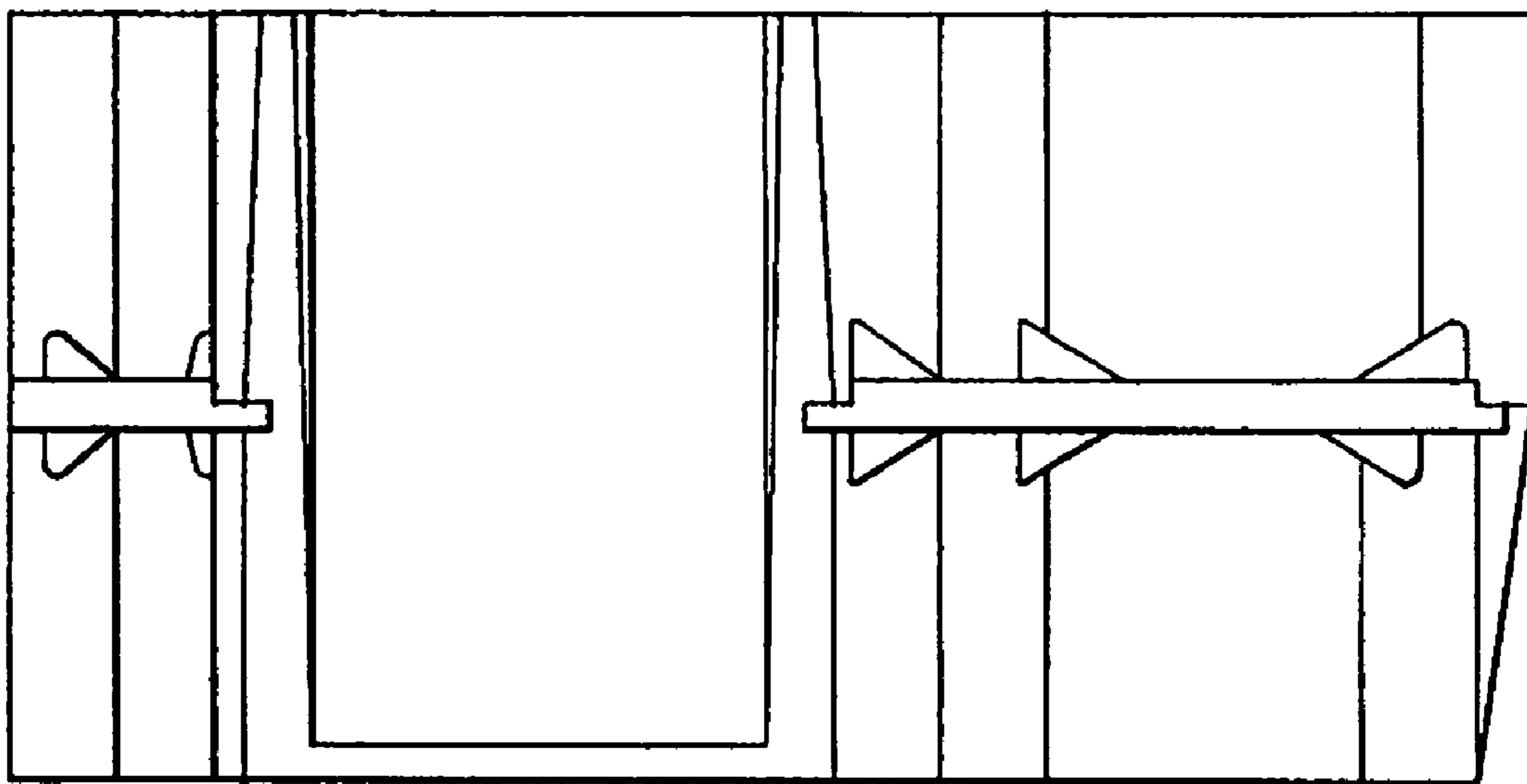


FIGURE 12

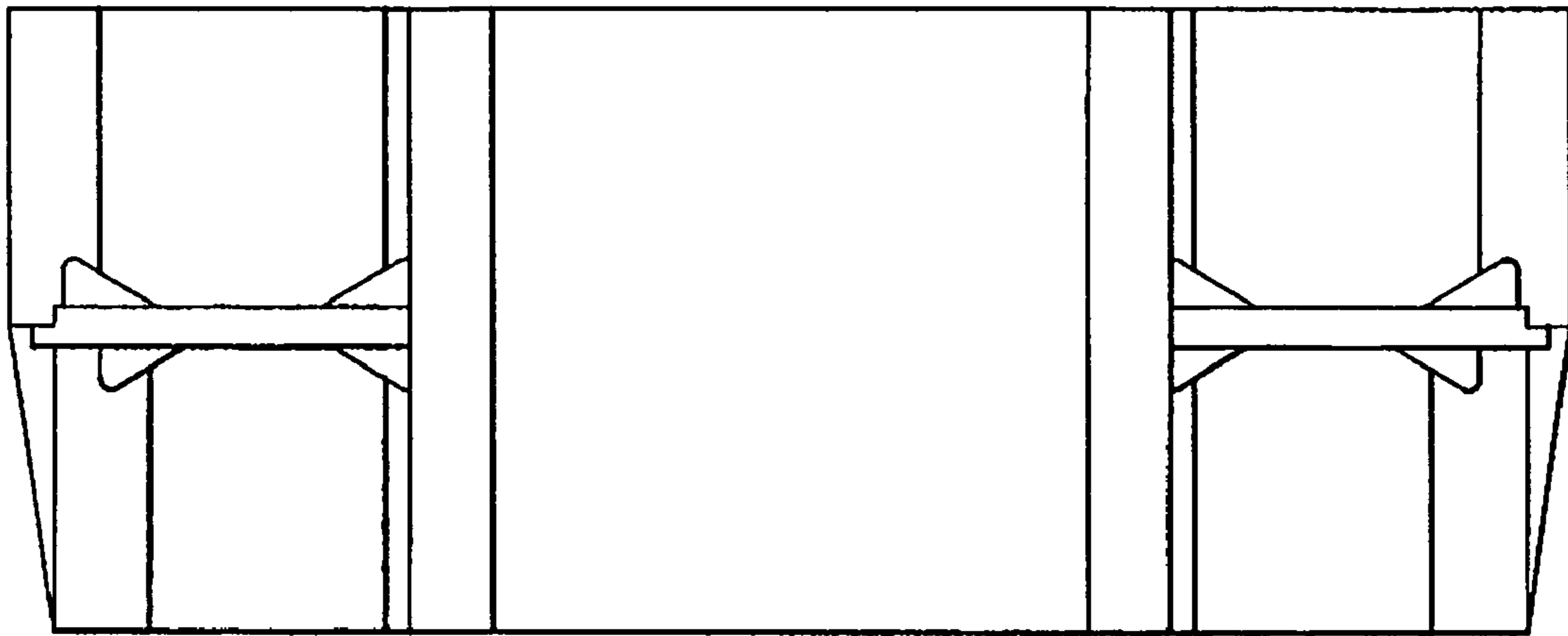


FIGURE 13

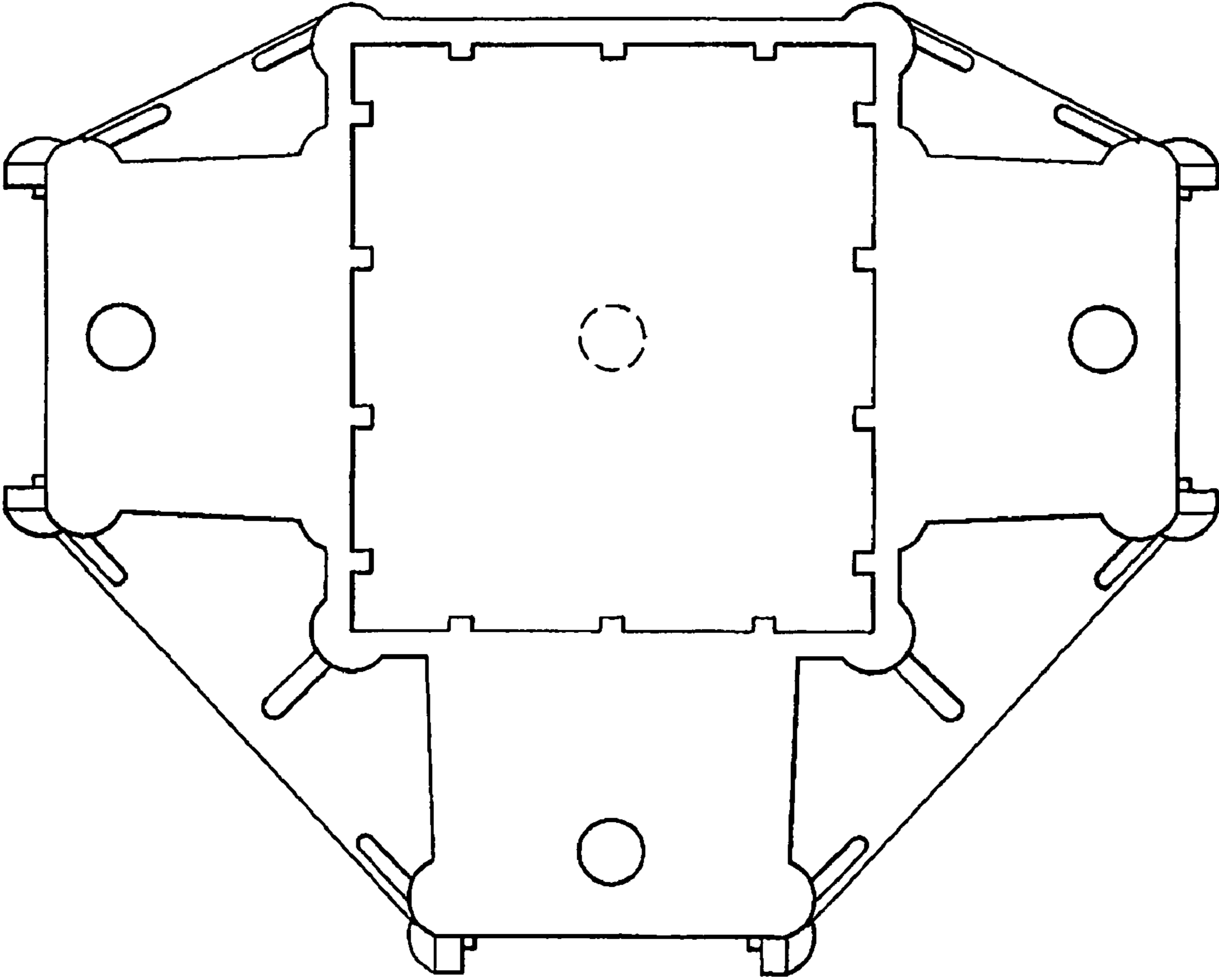


FIGURE 14