



US00D624803S

(12) **United States Design Patent**
Frankham et al.

(10) **Patent No.:** **US D624,803 S**

(45) **Date of Patent:** **** Oct. 5, 2010**

(54) **VEHICLE COMPARTMENT LOCK**

(76) Inventors: **Robert Paul Frankham**, 24 Coorabin Court, Tallebudgera, QLD (AU) 4228;
Gary John Grevis, Unit 52, 8 Ben Lomond Court, Nerang QLD (AU) 4211

(**) Term: **14 Years**

(21) Appl. No.: **29/345,461**

(22) Filed: **Oct. 16, 2009**

(51) **LOC (9) Cl.** **08-07**

(52) **U.S. Cl.** **D8/331**

(58) **Field of Classification Search** D8/330, D8/331, 343, 321, DIG. 10; 70/77, 91, 136, 70/141, 174, 208, 471, 237, DIG. 80, 175, 70/263, 264; 292/336.3, 322, 359, 348, 337, 292/195, 198, 207, DIG. 26, DIG. 31, 237
See application file for complete search history.

(56) **References Cited**

U.S. PATENT DOCUMENTS

3,782,141	A *	1/1974	Doerrfeld	70/487
4,116,027	A *	9/1978	Tannery	70/472
4,138,869	A *	2/1979	Pelcin	70/151 R
5,484,178	A *	1/1996	Sandhu et al.	292/173
5,984,383	A *	11/1999	Parikh et al.	292/121
5,996,381	A *	12/1999	Yoneyama	70/237
D459,192	S *	6/2002	Weinerman et al.	D8/338
D520,851	S *	5/2006	Hansen	D8/306

D536,949	S *	2/2007	Weinerman et al.	D8/331
D570,192	S *	6/2008	Beckner	D8/331
D590,694	S *	4/2009	Stuckey	D8/331
2008/0060395	A1 *	3/2008	Hanisch	70/237
2010/0024193	A1 *	2/2010	Hanisch	29/428

* cited by examiner

Primary Examiner—Prabhakar Deshmukh
(74) *Attorney, Agent, or Firm*—Galbreath Law Offices, P.C.;
John A. Galbreath

(57) **CLAIM**

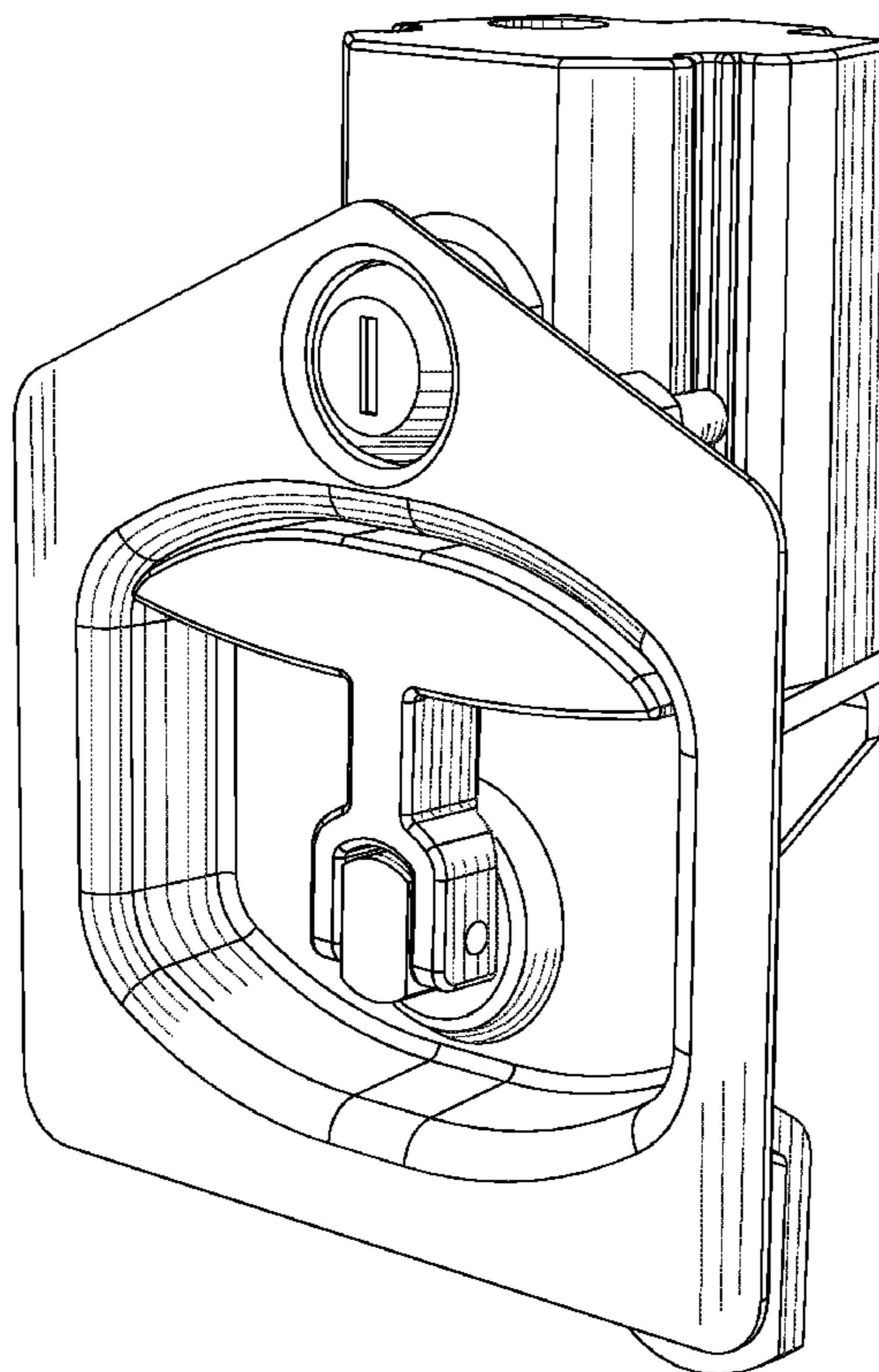
The ornamental design for a vehicle compartment lock, as shown and described.

DESCRIPTION

FIG. 1 is a front elevational view of a vehicle compartment lock showing our new design;
FIG. 2 is a right side elevational view thereof;
FIG. 3 is a right side elevational view thereof;
FIG. 4 is a top plan view thereof;
FIG. 5 is a bottom plan view thereof;
FIG. 6 is a rear elevational view thereof; and,
FIG. 7 is a perspective view thereof.

The portions of the lock shown in broken lines in the drawings are for illustrative purposes only and do not form part of the claimed design.

1 Claim, 6 Drawing Sheets



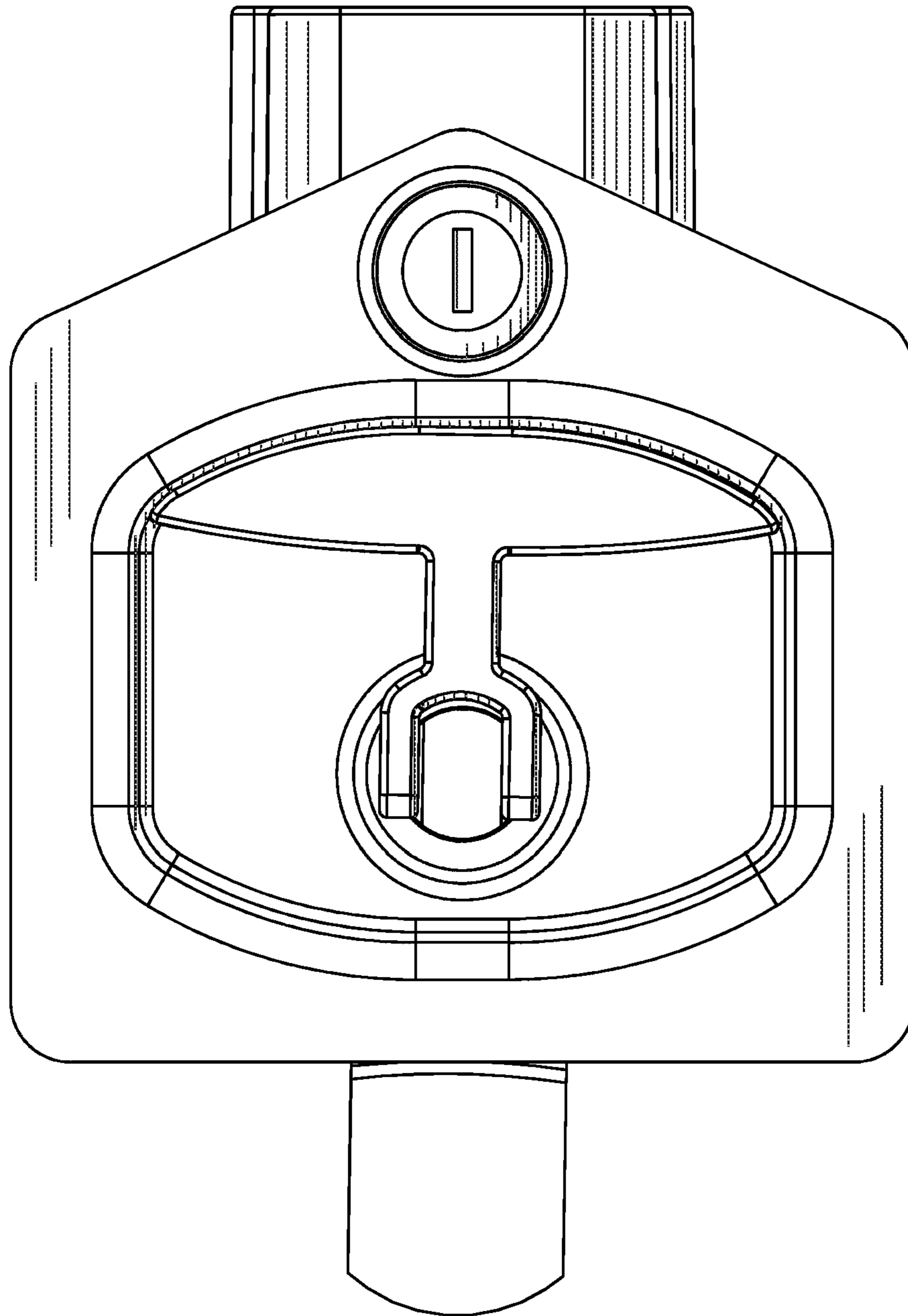


Fig. 1

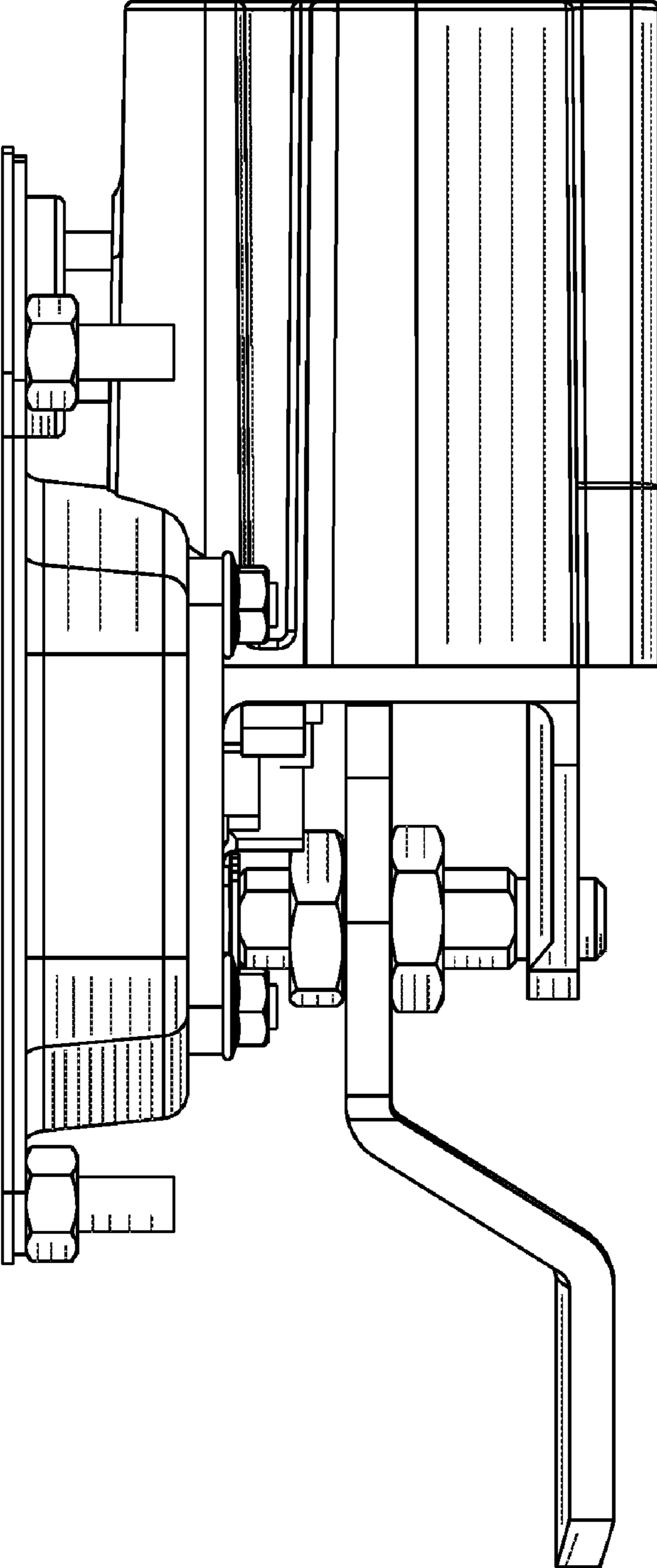


Fig. 2

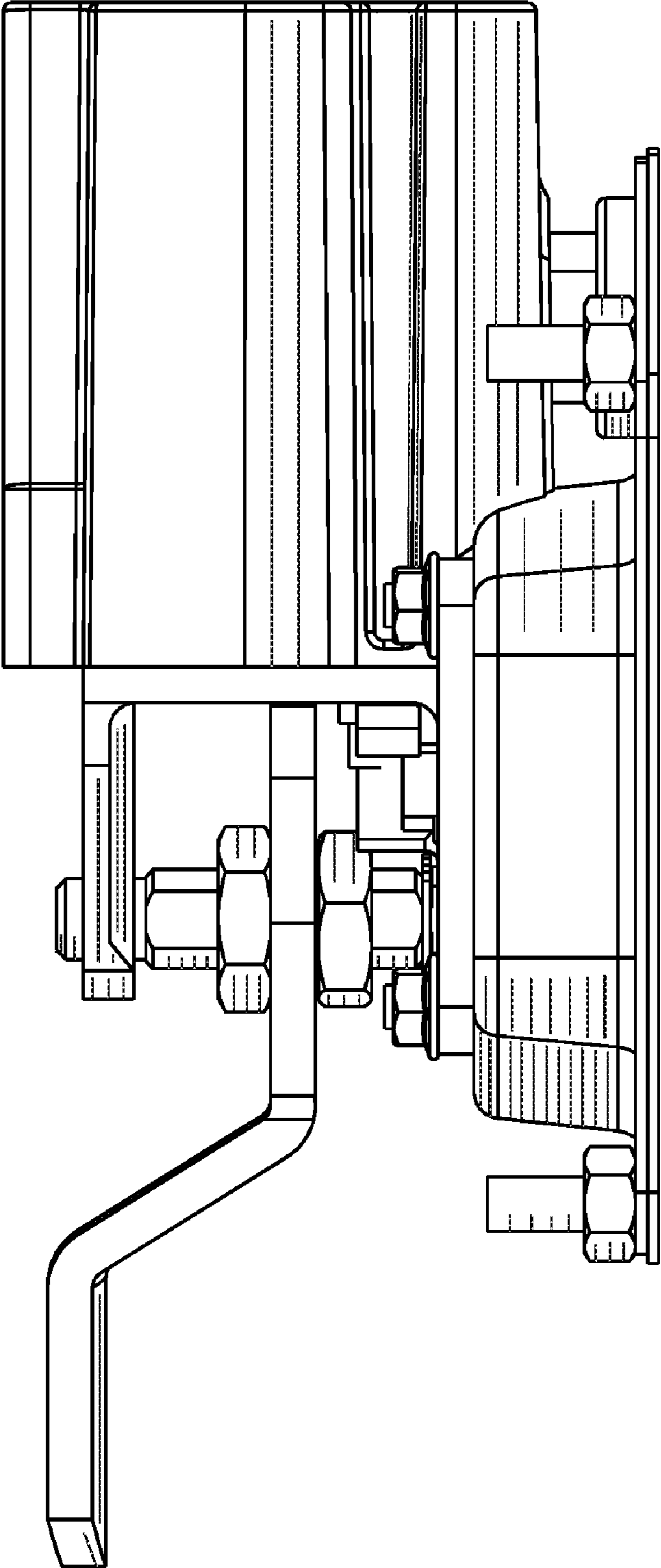


Fig. 3

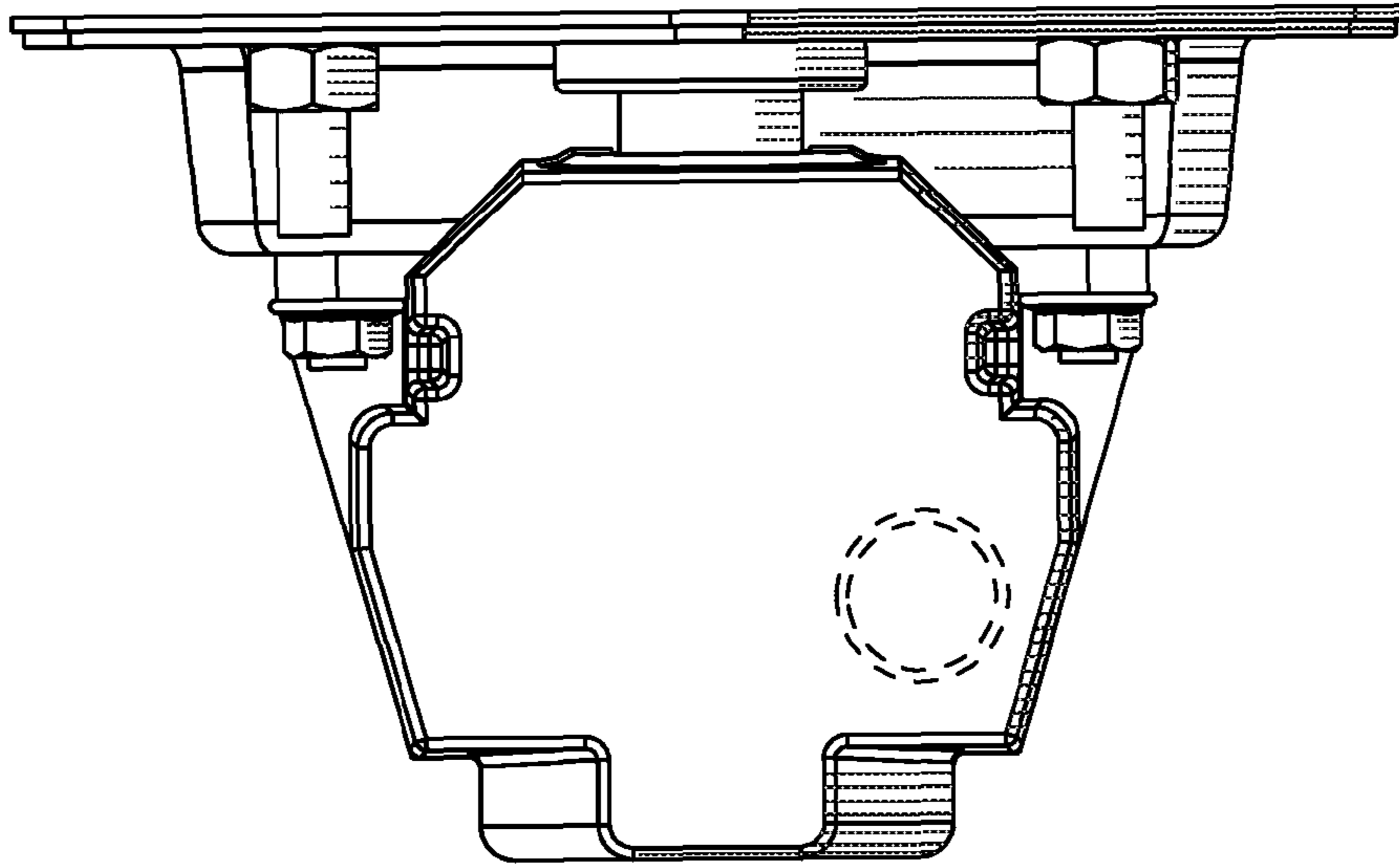


Fig. 4

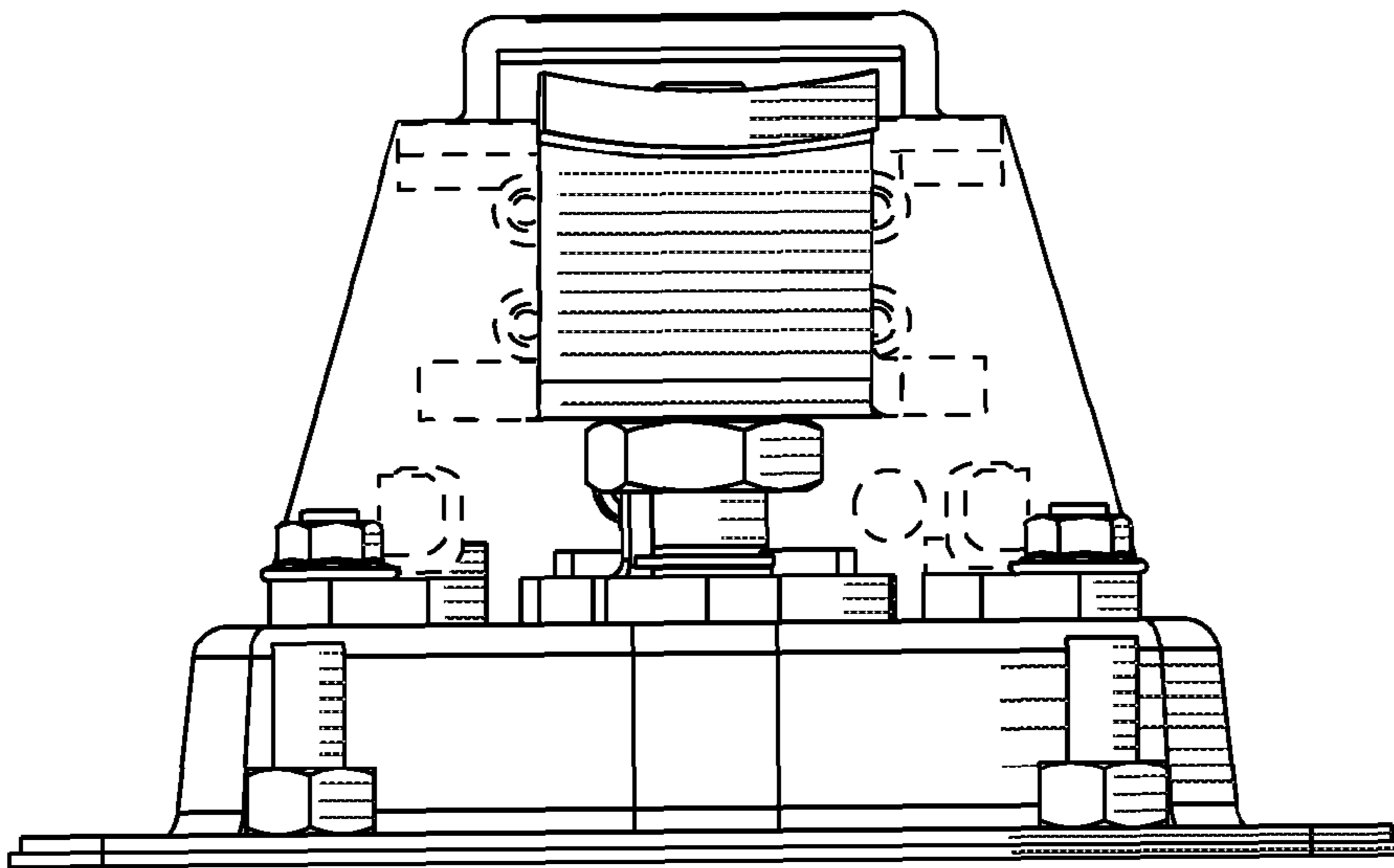


Fig. 5

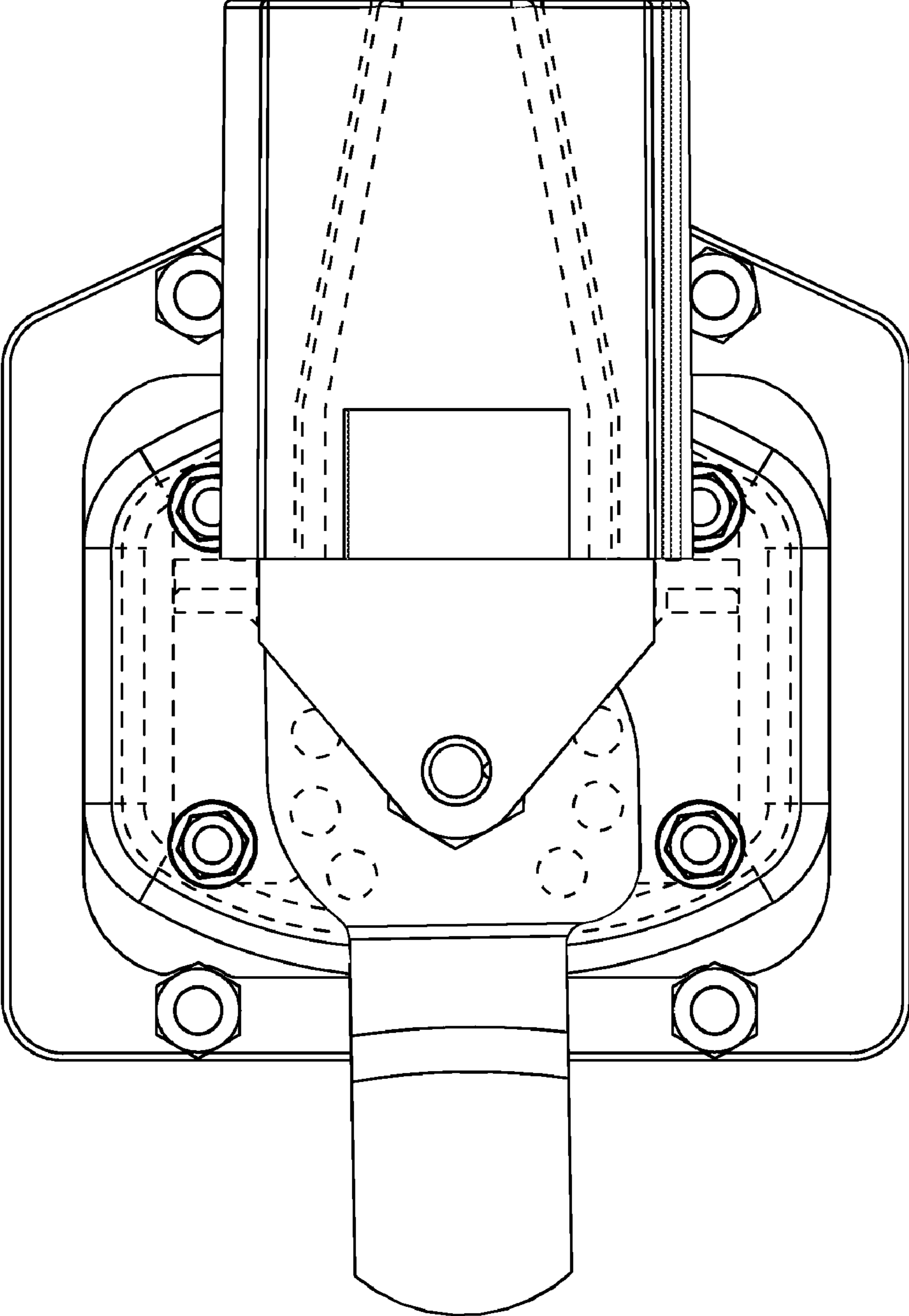


Fig. 6

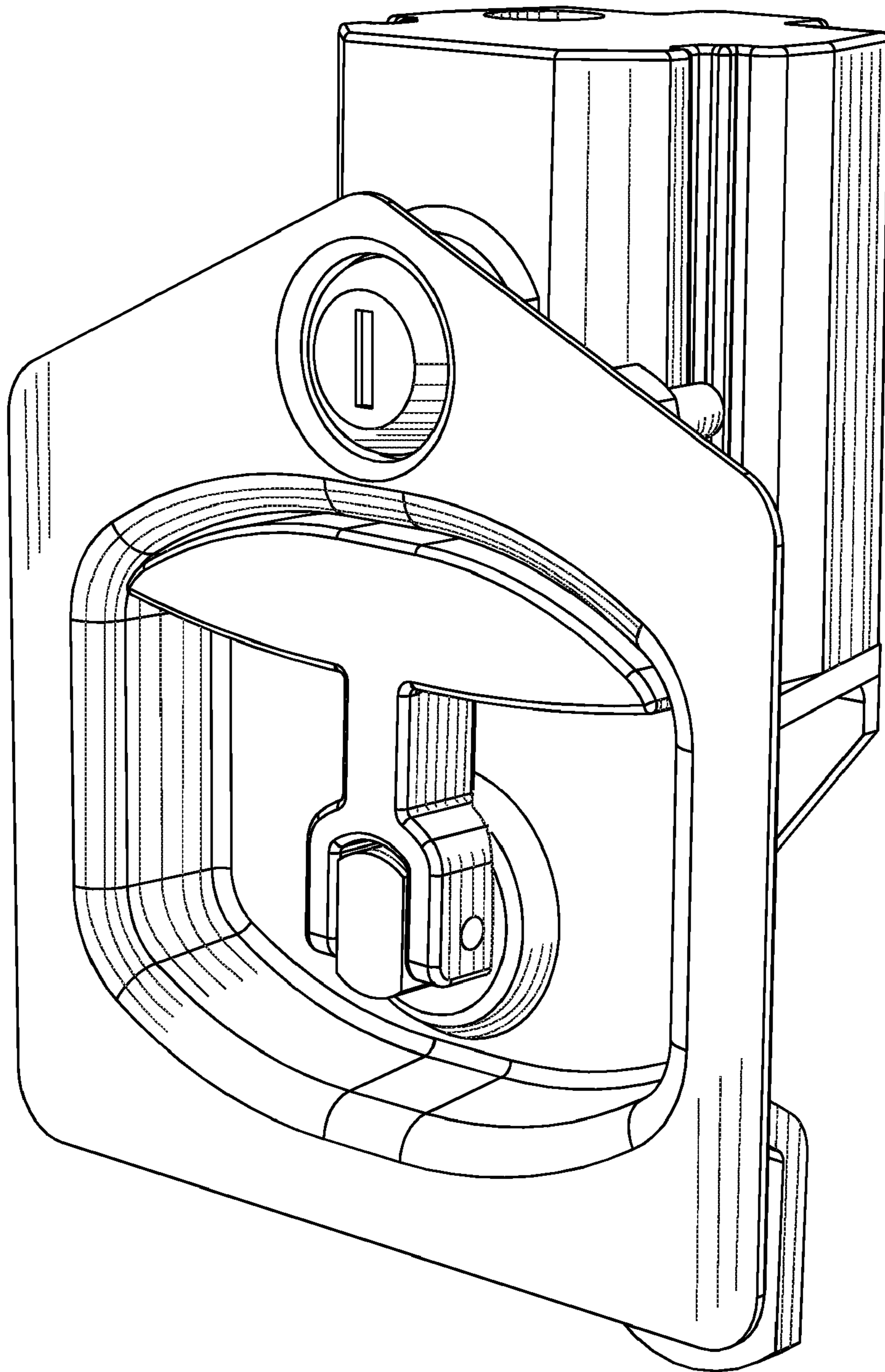


Fig. 7