



US00D624801S

(12) **United States Design Patent**
Radloff

(10) **Patent No.:** **US D624,801 S**

(45) **Date of Patent:** **** Oct. 5, 2010**

(54) **DOOR KNOB ADAPTER**

(76) **Inventor:** **Delores G. Radloff**, 27 Barrows Ave.,
Rutherford, NJ (US) 07070

(**) **Term:** **14 Years**

(21) **Appl. No.:** **29/345,392**

(22) **Filed:** **Oct. 15, 2009**

(51) **LOC (9) Cl.** **08-06**

(52) **U.S. Cl.** **D8/308**

(58) **Field of Classification Search** D8/300,
D8/308, 321; 16/110.1, 422; 292/336.3,
292/347, 288, DIG. 2, 343; 223/111, 112,
223/113; D2/641, 642, 643

See application file for complete search history.

(56) **References Cited**

U.S. PATENT DOCUMENTS

70,368	A *	10/1867	Schultz	16/422
D28,918	S *	6/1898	Mulherin	D2/643
D32,524	S *	4/1900	Spencer	D2/643
1,635,259	A *	7/1927	Critchley	16/422
1,932,099	A *	10/1933	Cabana	403/202
2,000,659	A *	5/1935	Carbonara	16/422
2,199,369	A *	4/1940	Bernstein	292/288
2,482,589	A *	9/1949	Maguire	294/1.1
2,692,157	A *	10/1954	Soderberg	292/288
3,284,119	A *	11/1966	Detrick	52/581
3,510,032	A *	5/1970	Carver	223/111
3,615,114	A *	10/1971	Harris	292/288

4,223,931	A	9/1980	Neary	
D268,984	S	5/1983	Bergen	
4,783,883	A	11/1988	Szalay	
4,971,375	A	11/1990	Grecco	
5,231,733	A	8/1993	Dittman	
5,375,295	A	12/1994	Woodward	
D369,086	S	4/1996	Bergen	
5,540,468	A	7/1996	Fassman	
D384,186	S *	9/1997	Teaman D2/643
5,711,557	A *	1/1998	Nicolosi 292/288
D405,344	S	2/1999	Peabody	

* cited by examiner

Primary Examiner—Paula Greene

(74) *Attorney, Agent, or Firm*—Crossley Patent Law; Mark A. Crossley

(57) **CLAIM**

The ornamental design for a door knob adapter, as shown and described.

DESCRIPTION

FIG. 1 is a front elevation view of a door knob adapter showing my new design;

FIG. 2 is a rear elevation view thereof;

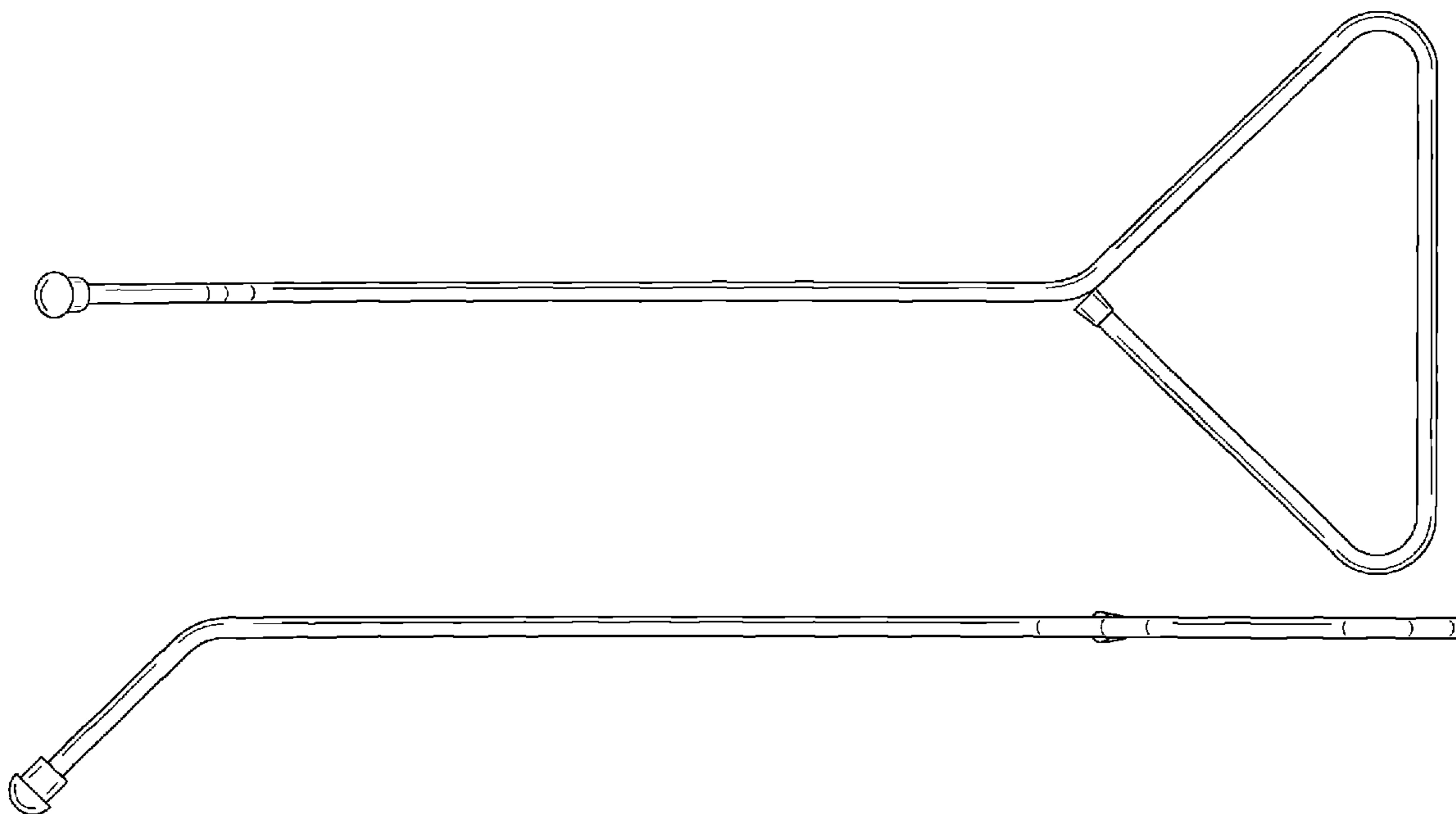
FIG. 3 is a right side elevation view thereof;

FIG. 4 is a left side elevation view thereof;

FIG. 5 is a top plan view thereof; and,

FIG. 6 is a bottom plan view thereof.

1 Claim, 3 Drawing Sheets



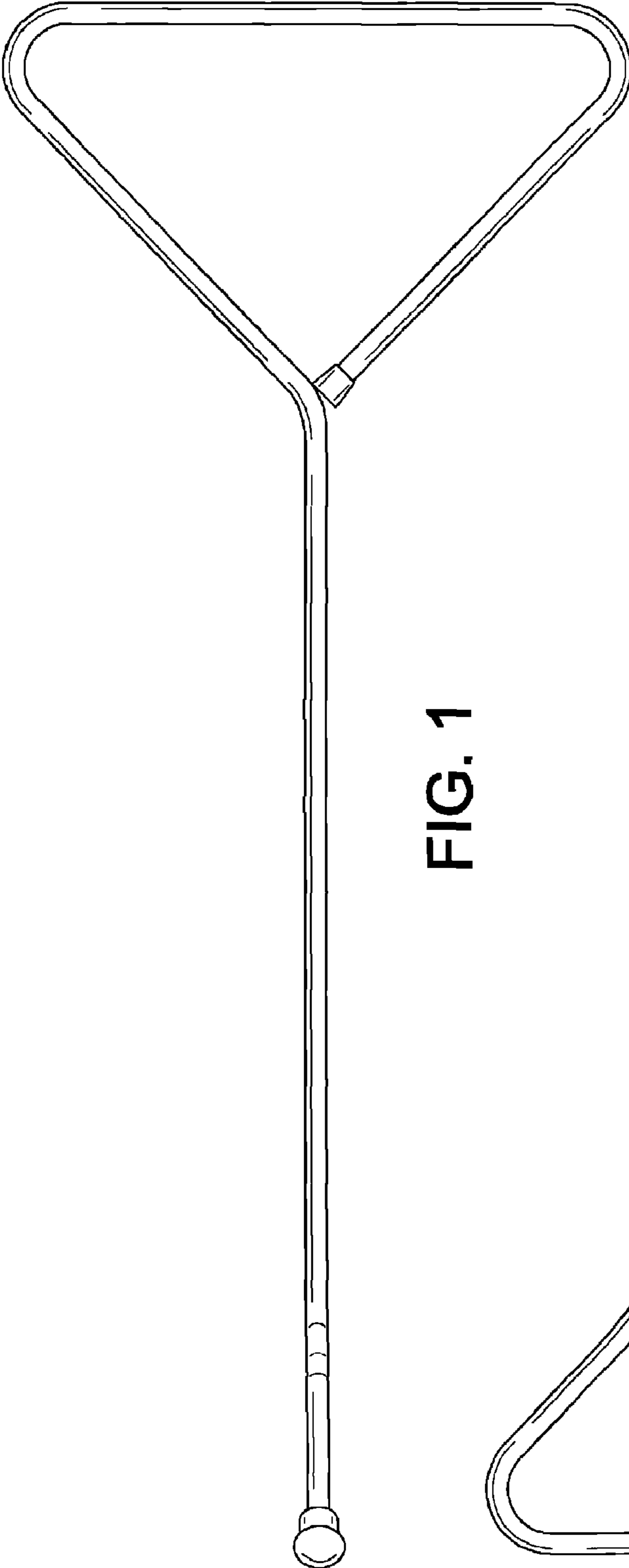


FIG. 1

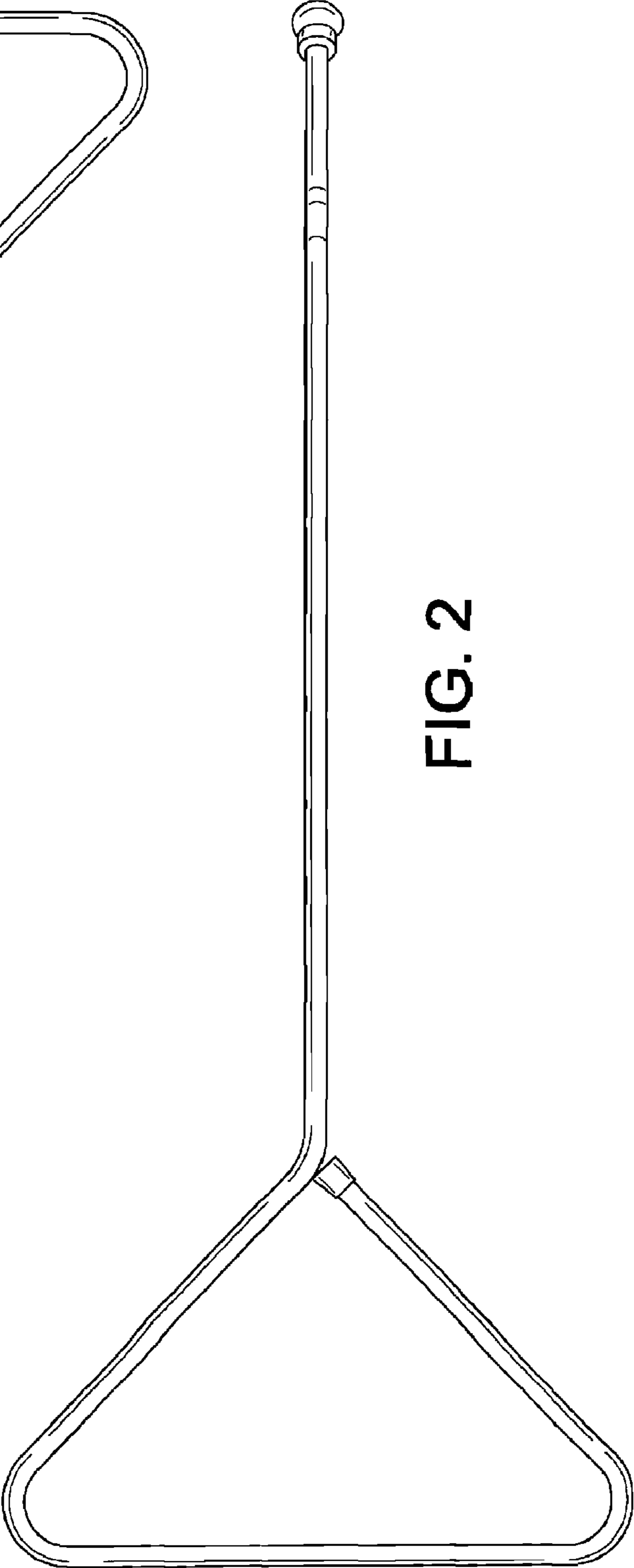


FIG. 2

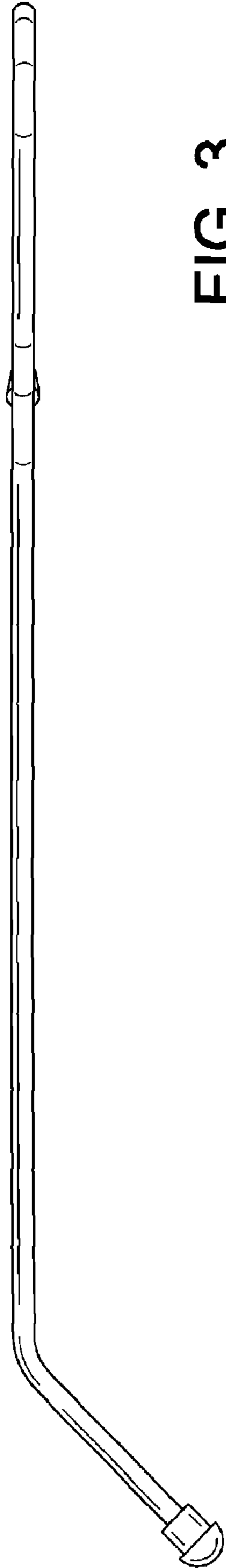


FIG. 3

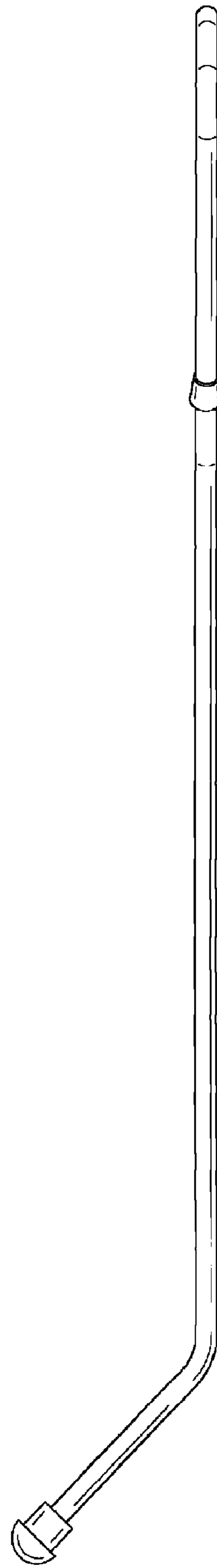


FIG. 4

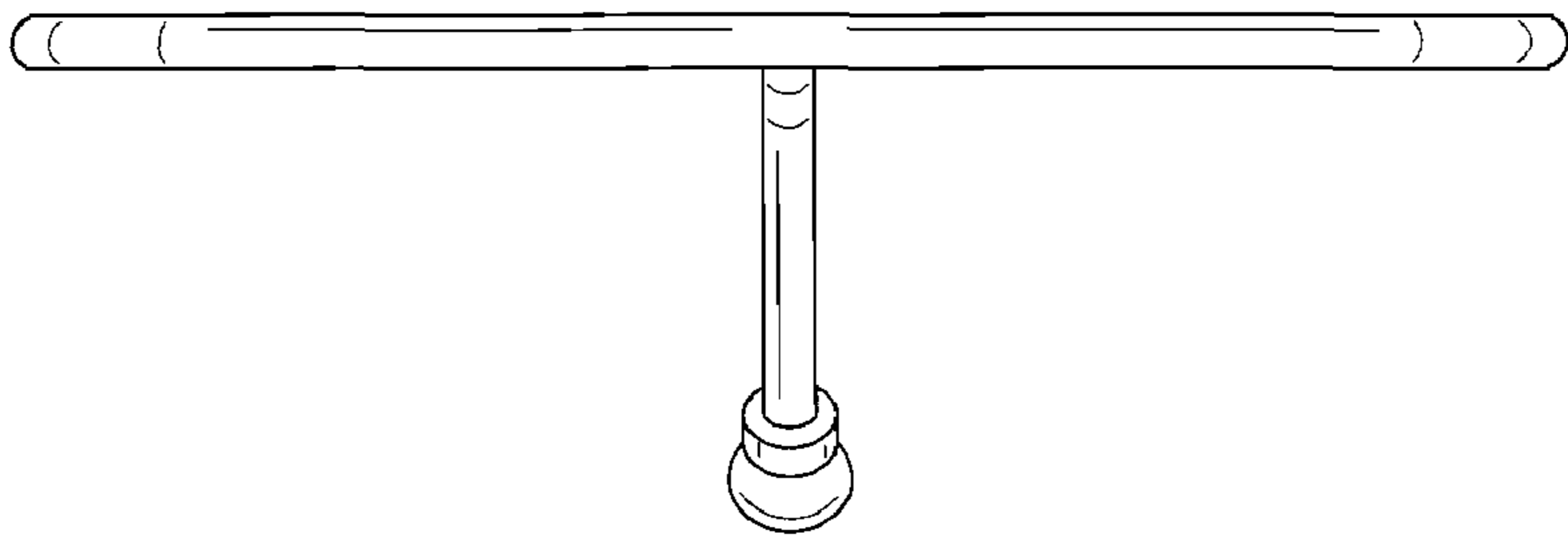


FIG. 6

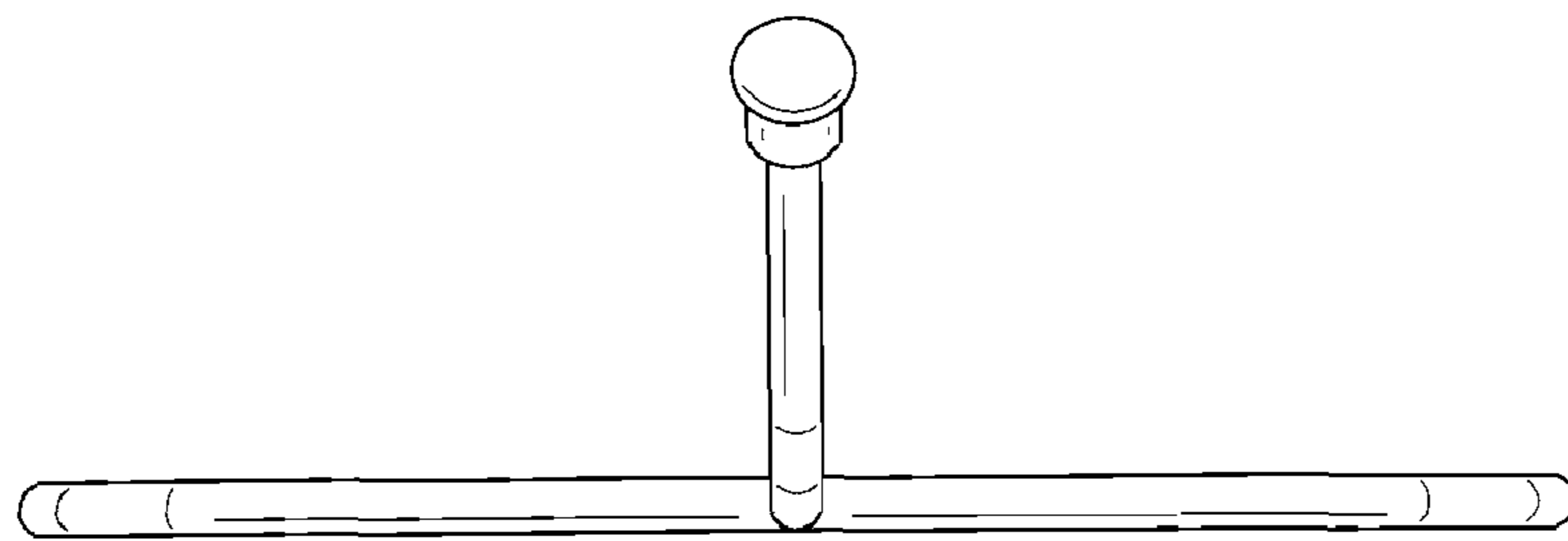


FIG. 5