



US00D624798S

(12) **United States Design Patent**
Chen

(10) **Patent No.:** **US D624,798 S**

(45) **Date of Patent:** **** Oct. 5, 2010**

(54) **BLADE FOR A FILE**

(76) Inventor: **Kun-Chen Chen**, No. 25, Chongyi 1st Rd., Dajia Chen, Taichung Hsien (TW)

(**) Term: **14 Years**

(21) Appl. No.: **29/347,428**

(22) Filed: **Jan. 4, 2010**

(51) **LOC (9) Cl.** **08-05**

(52) **U.S. Cl.** **D8/90**

(58) **Field of Classification Search** D8/63,
D8/90; 76/82.2; 407/29.1, 29.15

See application file for complete search history.

(56) **References Cited**

U.S. PATENT DOCUMENTS

1,066,340	A *	7/1913	Thomas	76/31
1,104,561	A *	7/1914	Simmons	407/29.1
1,616,403	A *	2/1927	Womack	407/29.1
1,631,882	A *	6/1927	Nordan	407/29.1
1,727,853	A *	9/1929	Anderson	407/29.1
1,785,836	A *	12/1930	Lehto	407/29.14
2,027,039	A *	1/1936	Heller	407/29.1
2,082,685	A *	6/1937	Charlton	407/29.1
2,089,619	A *	8/1937	Ripley	407/29.1
2,214,954	A *	9/1940	Crater	407/29.1
2,460,513	A *	2/1949	Le Fevre	407/29.1
2,833,025	A *	5/1958	Crawford	407/29.15
D217,219	S *	4/1970	Coon et al.	D8/90

D225,720	S *	1/1973	Coon et al.	D8/90
3,867,747	A *	2/1975	Lee	29/76.4
4,571,184	A *	2/1986	Edwardson	433/166
4,941,246	A *	7/1990	Finnegan	407/29.15
D327,622	S *	7/1992	Braid	D8/90
D437,534	S *	2/2001	Gloden	D8/14
D493,684	S *	8/2004	Smith	D8/90
2007/0147963	A1 *	6/2007	Critelli et al.	407/29.1

* cited by examiner

Primary Examiner—Philip S Hyder

Assistant Examiner—Roselynn Cody

(74) *Attorney, Agent, or Firm*—HersHKovitz & Associates, LLC; Abraham HersHKovitz

(57) **CLAIM**

The ornamental design for a blade for a file, as shown.

DESCRIPTION

FIG. 1 is a perspective view of a blade for a file, showing my new design;

FIG. 2 is a front view thereof;

FIG. 3 is a rear view thereof;

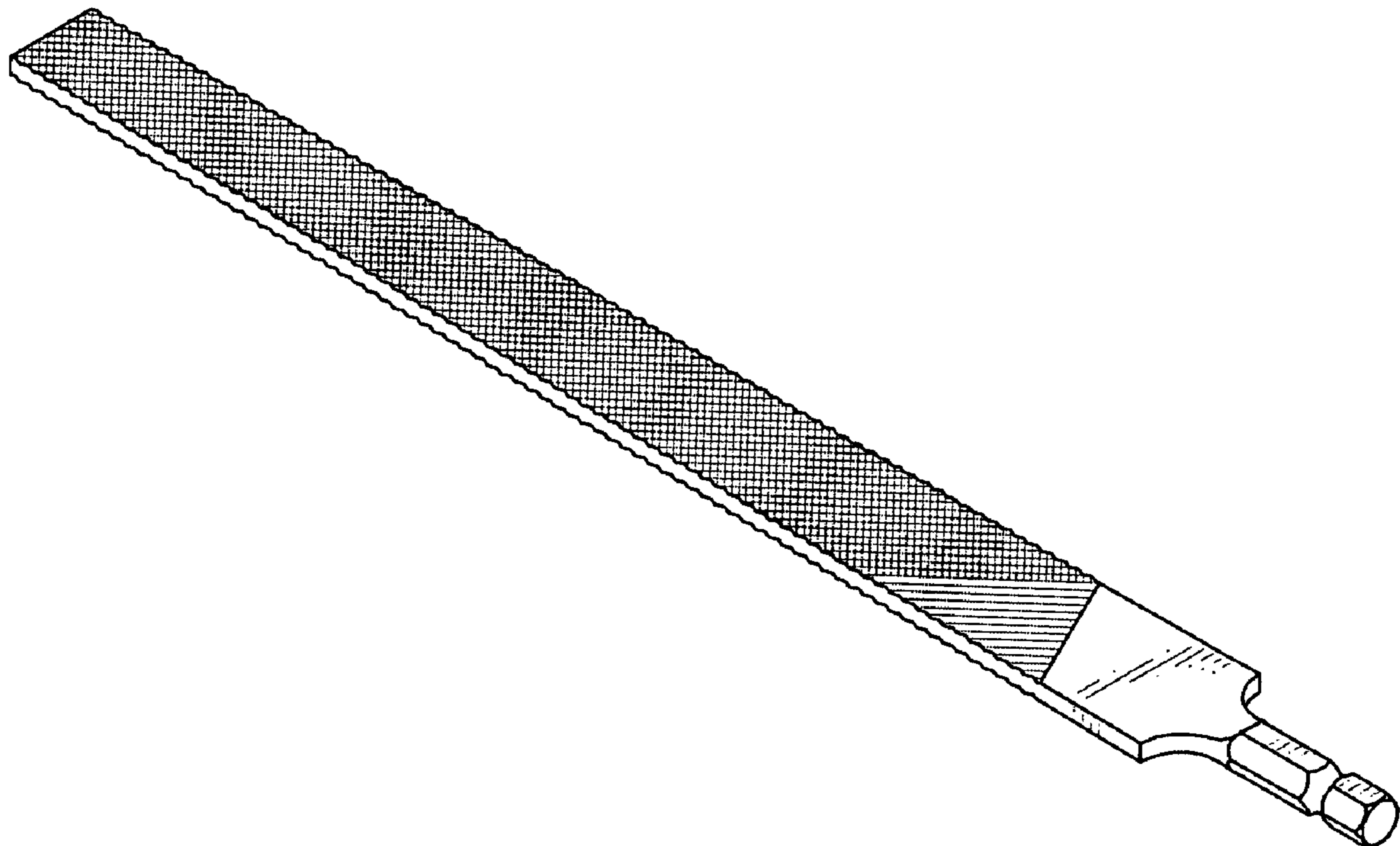
FIG. 4 is an enlarged left side view thereof;

FIG. 5 is an enlarged right side view thereof;

FIG. 6 is a top view thereof; and,

FIG. 7 is a bottom view thereof.

1 Claim, 4 Drawing Sheets



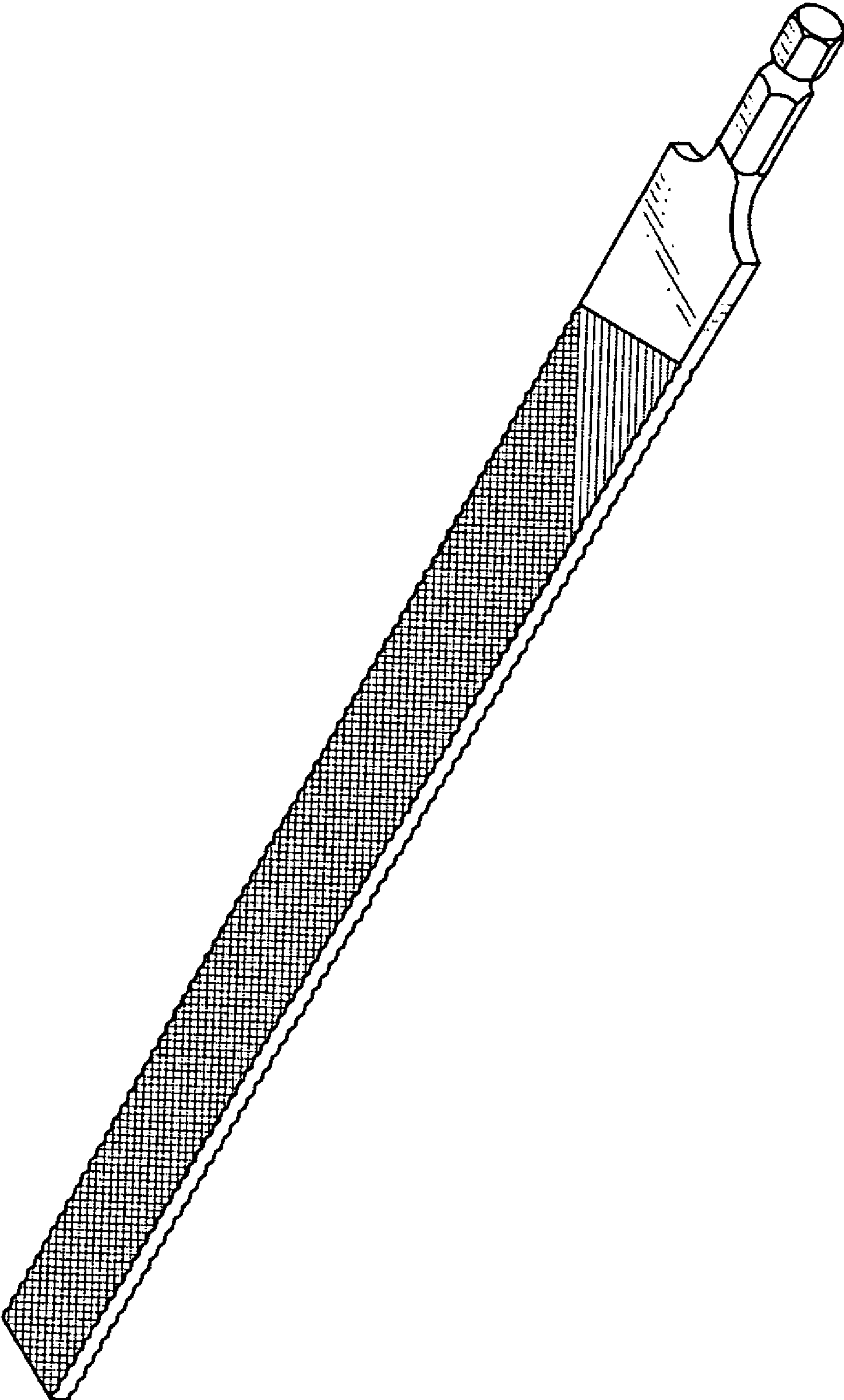


FIG. 1

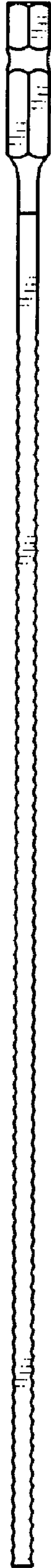


FIG. 2



FIG. 3

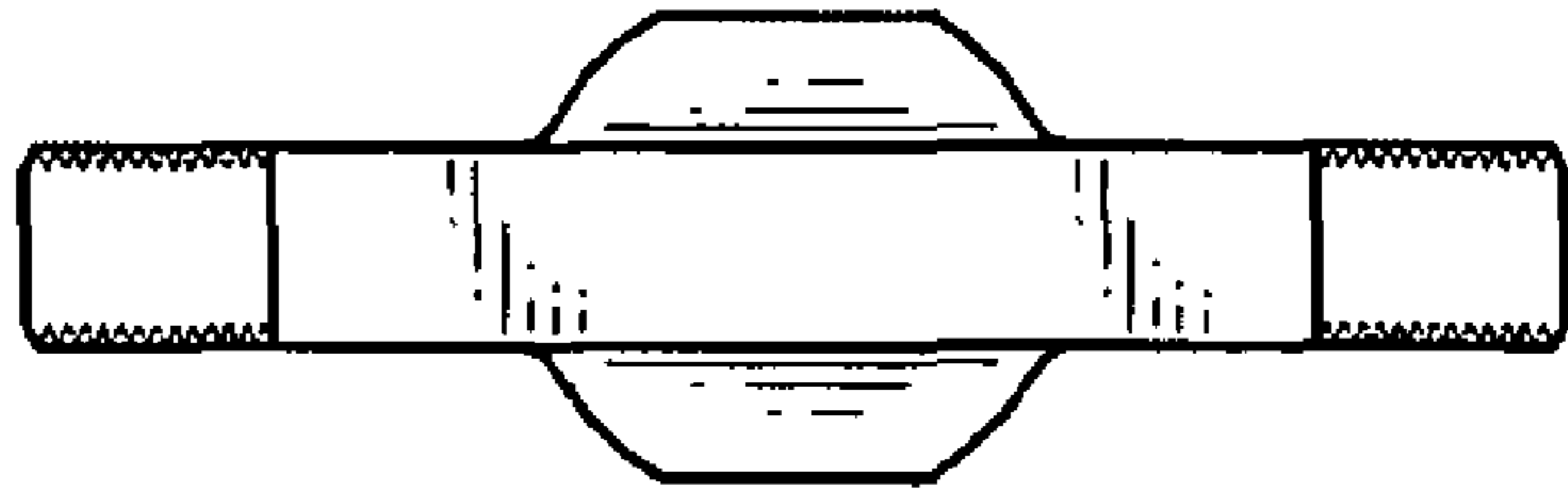


FIG. 4

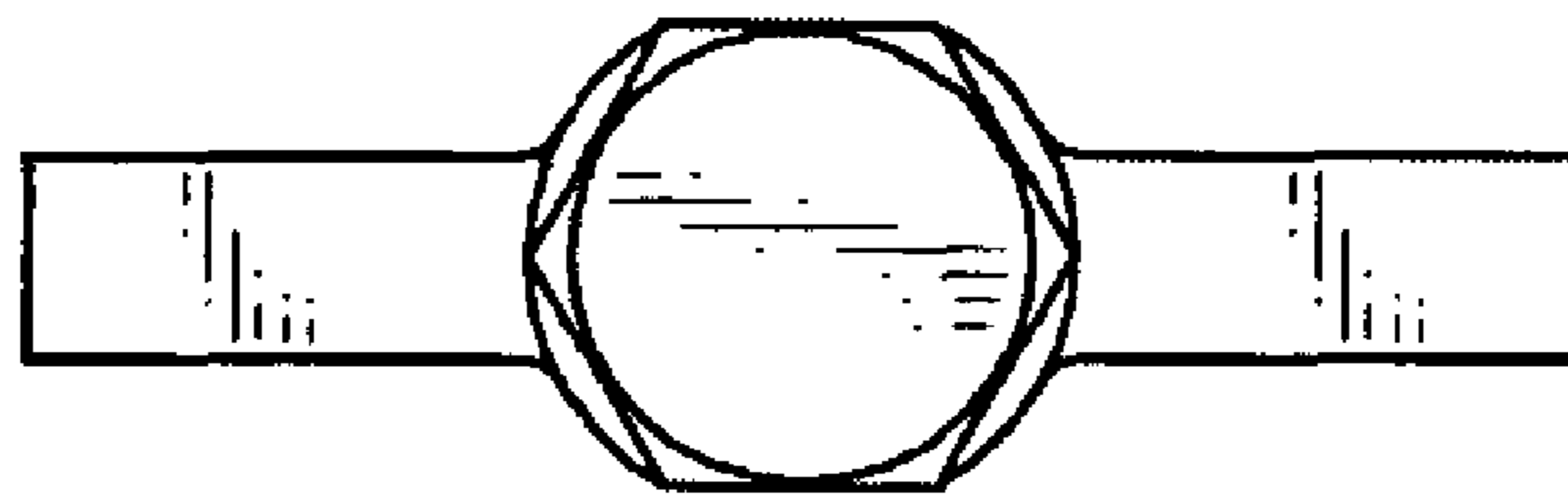


FIG. 5

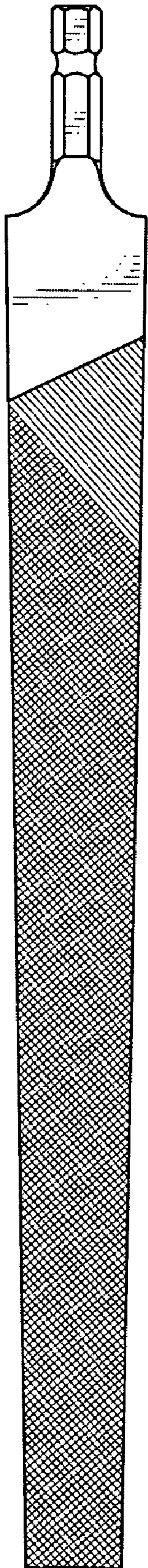


FIG. 6

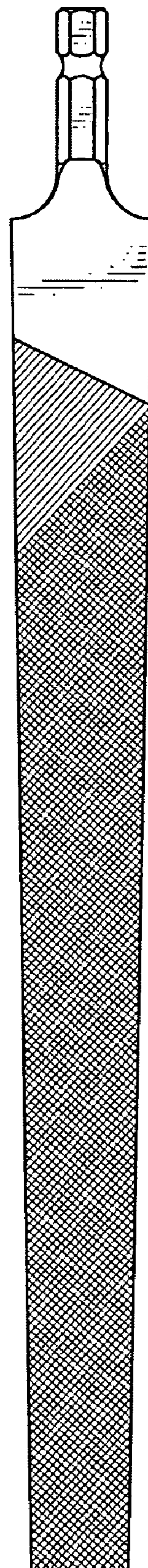


FIG. 7