



US00D624797S

(12) **United States Design Patent**
Kochi et al.

(10) **Patent No.:** **US D624,797 S**
(45) **Date of Patent:** **** Oct. 5, 2010**

(54) **MANUAL CABLE CUTTER**

6,497,133 B1 * 12/2002 Rose 72/388
D494,027 S * 8/2004 Lin D8/5
D502,068 S * 2/2005 Tatic D8/5

(75) Inventors: **Minoru Kochi**, Niigata-ken (JP);
Sadayoshi Kobayashi, Niigata-ken (JP)

* cited by examiner

(73) Assignee: **Toa Intersystem Inc.**, Niigata-Ken (JP)

Primary Examiner—Cathron C Brooks

(**) Term: **14 Years**

Assistant Examiner—Deanna Fluegeman

(21) Appl. No.: **29/311,996**

(74) *Attorney, Agent, or Firm*—Wenderoth, Lind & Ponack,
L.L.P.

(22) Filed: **Aug. 20, 2009**

(57) **CLAIM**

(30) **Foreign Application Priority Data**

The ornamental design for a manual cable cutter, as shown
and described.

Feb. 23, 2009 (JP) 2009-003640

DESCRIPTION

(51) **LOC (9) Cl.** **08-05**

FIG. 1 shows a front view.

(52) **U.S. Cl.** **D8/52**

FIG. 2 shows a back view.

(58) **Field of Classification Search** D8/4,

FIG. 3 shows a top plan view.

D8/5, 14, 22, 23, 51–56, 58–60, 105–107;
81/300, 302, 415–424, 424.5, 426, 426.5,
81/427, 427.5; 30/244–262

FIG. 4 shows a bottom view.

See application file for complete search history.

FIG. 5 shows a right side view.

FIG. 6 shows a left side view.

(56) **References Cited**

FIG. 7 shows an enlarged view of the front of the cable cutter
shown in FIG. 1.

U.S. PATENT DOCUMENTS

D173,137 S * 10/1954 Bethune D8/58
D206,133 S * 11/1966 Bethune D8/52
D213,302 S * 2/1969 Lattin D8/58
3,461,555 A * 8/1969 Bliznak 30/254
3,507,305 A * 4/1970 Crabb 140/106
3,885,309 A * 5/1975 Lund et al. D0/250
4,050,152 A * 9/1977 Olson 30/90.1
D247,155 S * 2/1978 Hayes D8/57
D259,695 S * 6/1981 Byberg et al. D8/58
D373,714 S * 9/1996 Hebert D8/52

FIG. 8 shows an enlarged view of the back of the cable cutter
shown in FIG. 2.

FIG. 9 shows an enlarged view of the bottom of the cable
cutter shown in FIG. 4.

FIG. 10 shows a perspective view on the front side; and,

FIG. 11 shows a perspective view on the back side.

1 Claim, 6 Drawing Sheets

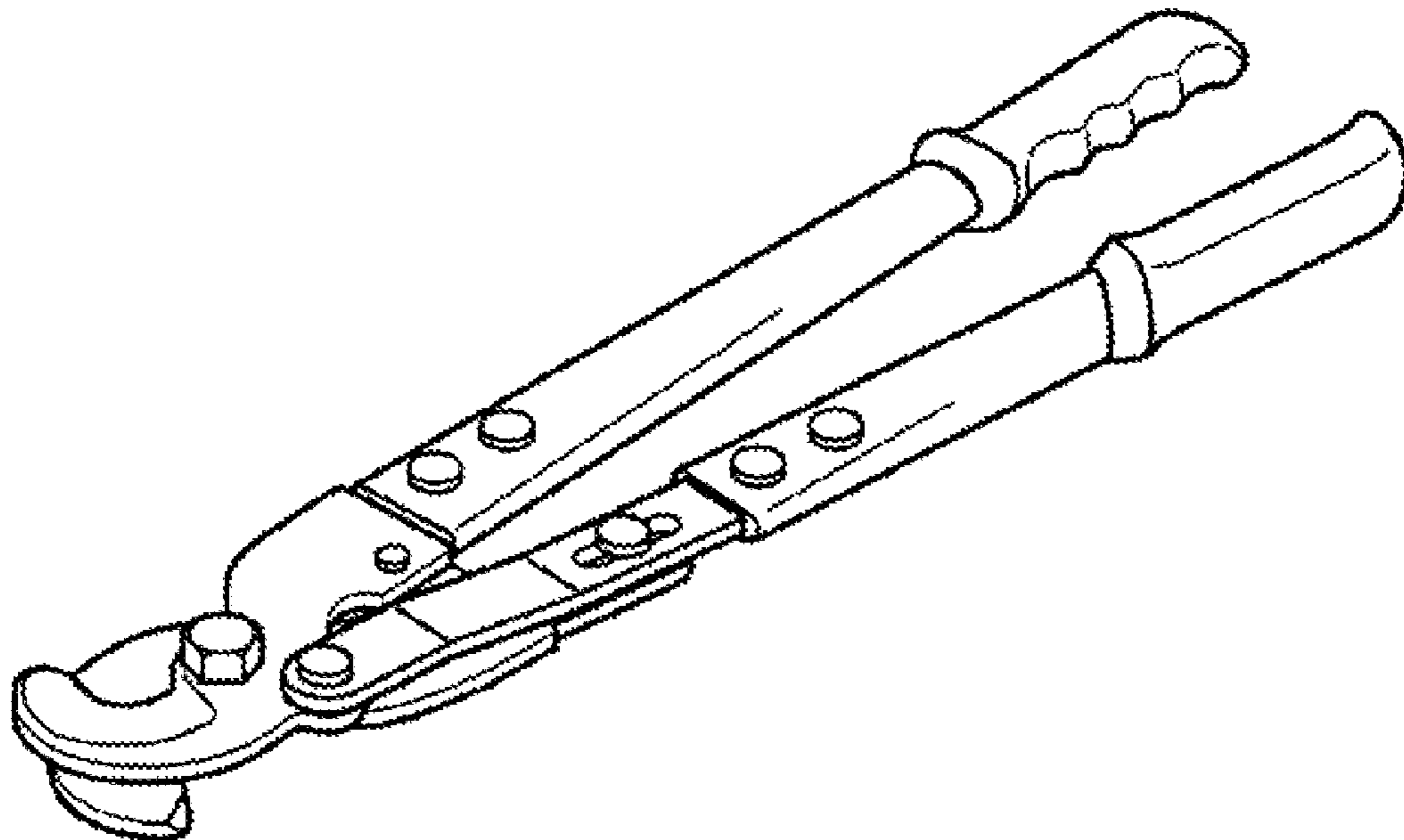


FIG. 1

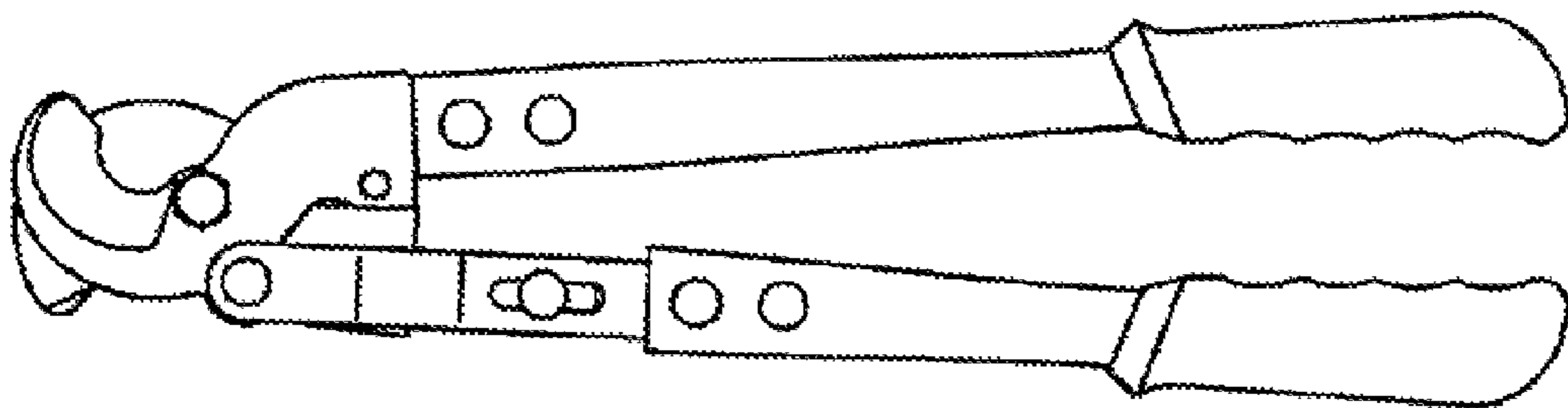


FIG. 2

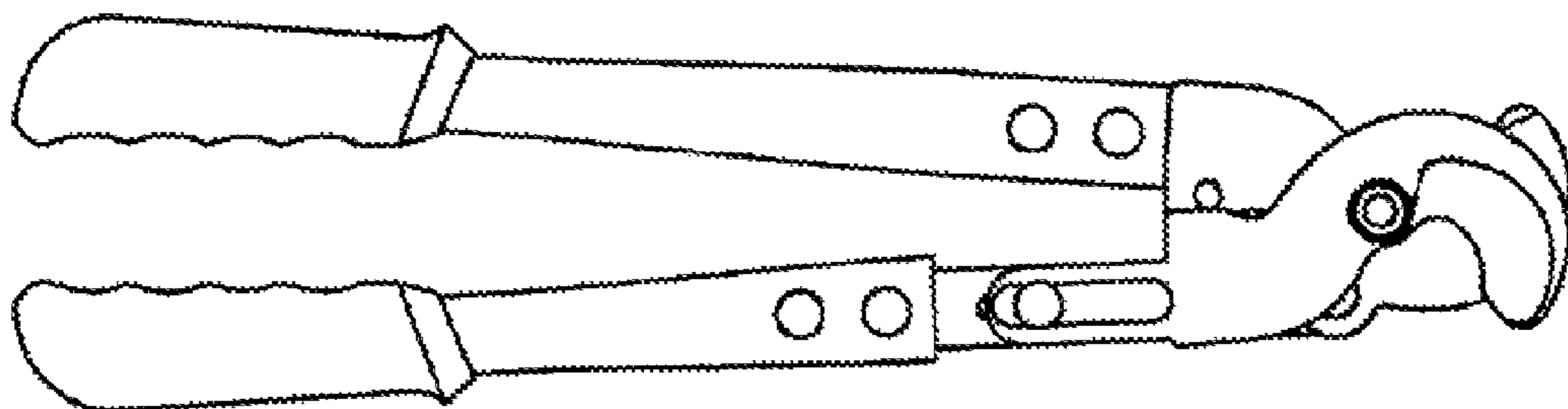


FIG.3

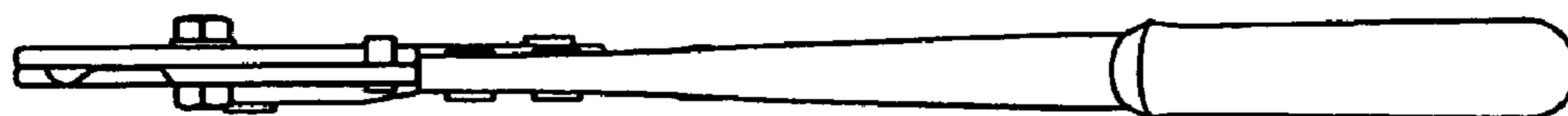


FIG.4

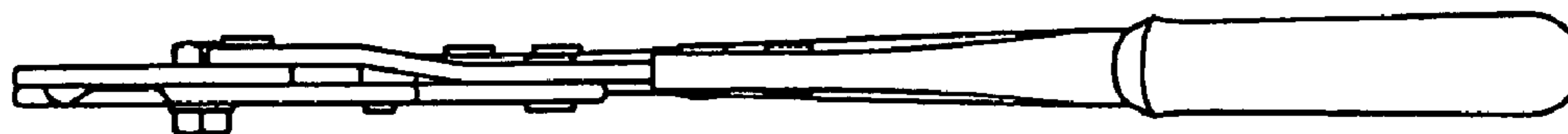


FIG.5



FIG.6

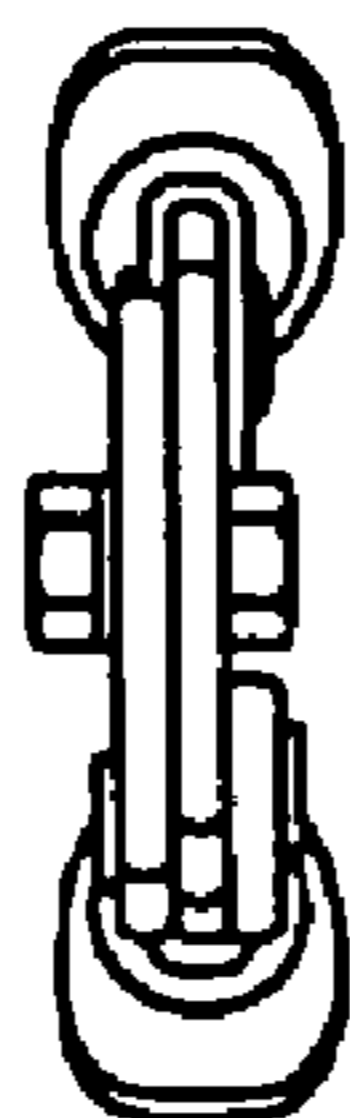


FIG.7

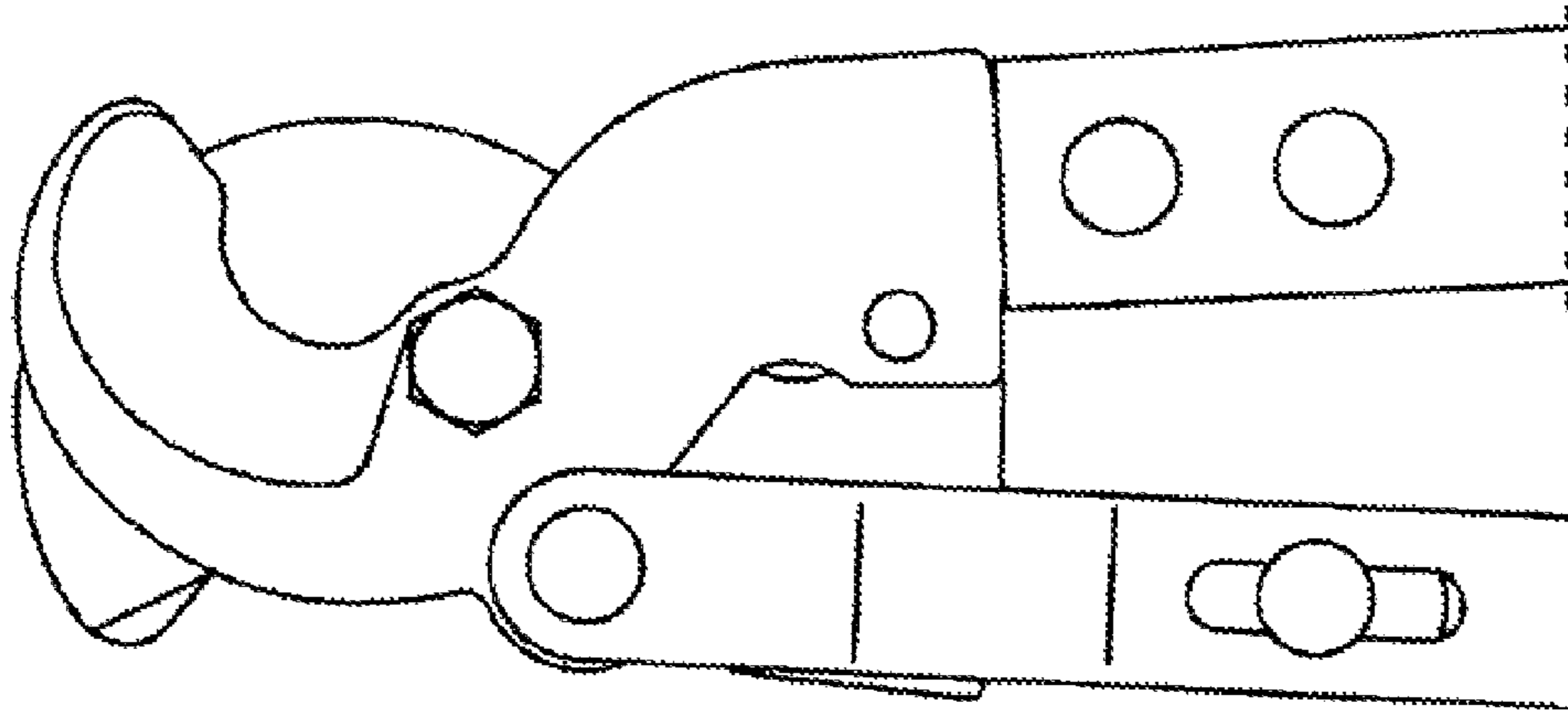


FIG.8

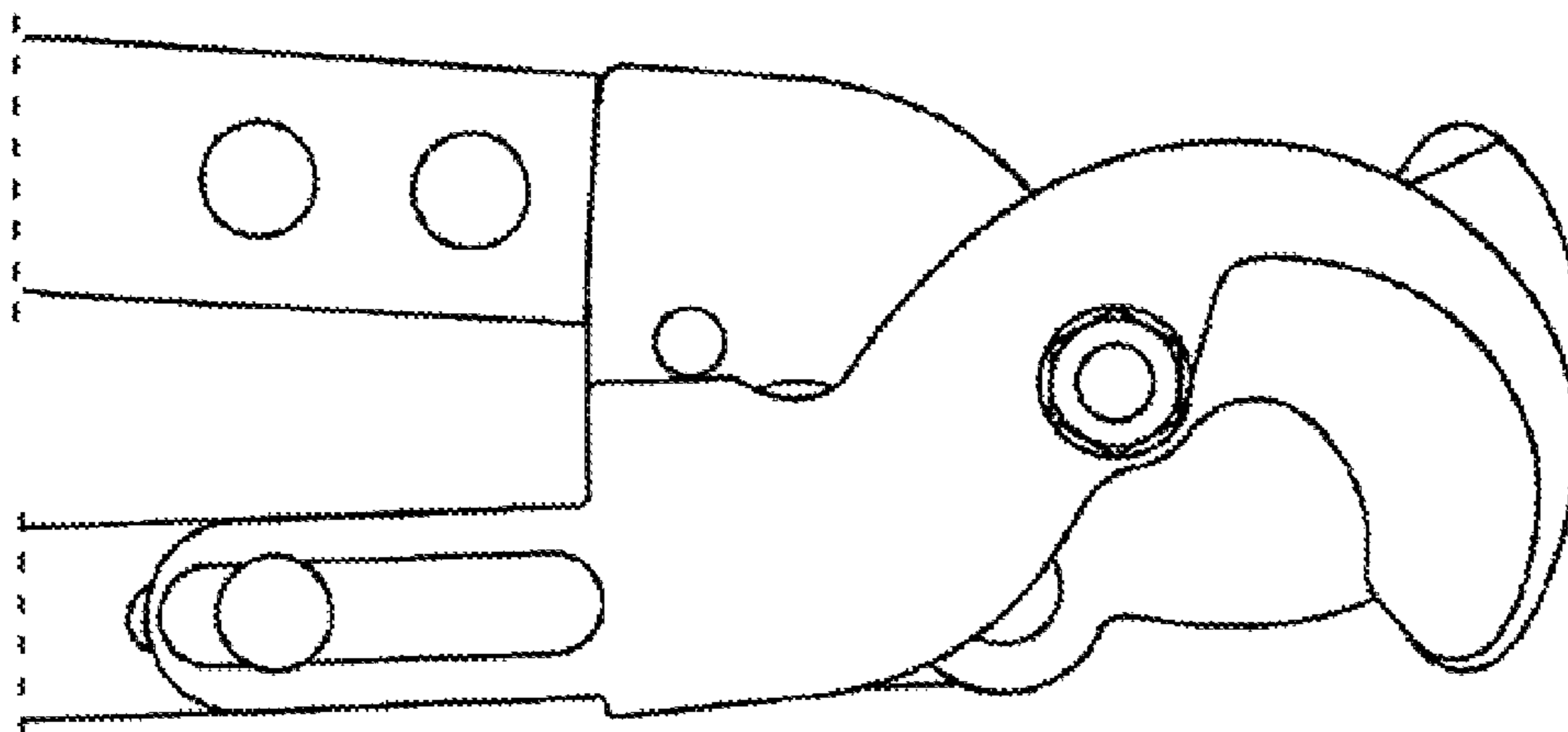


FIG.9

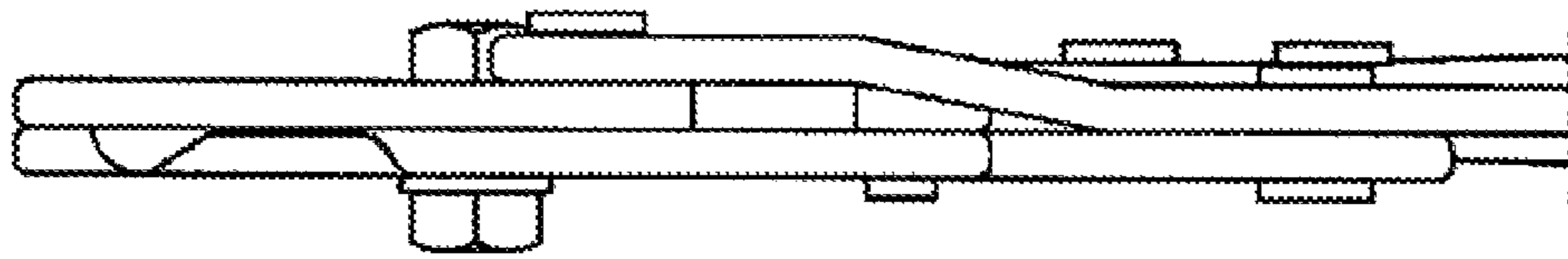


FIG.10

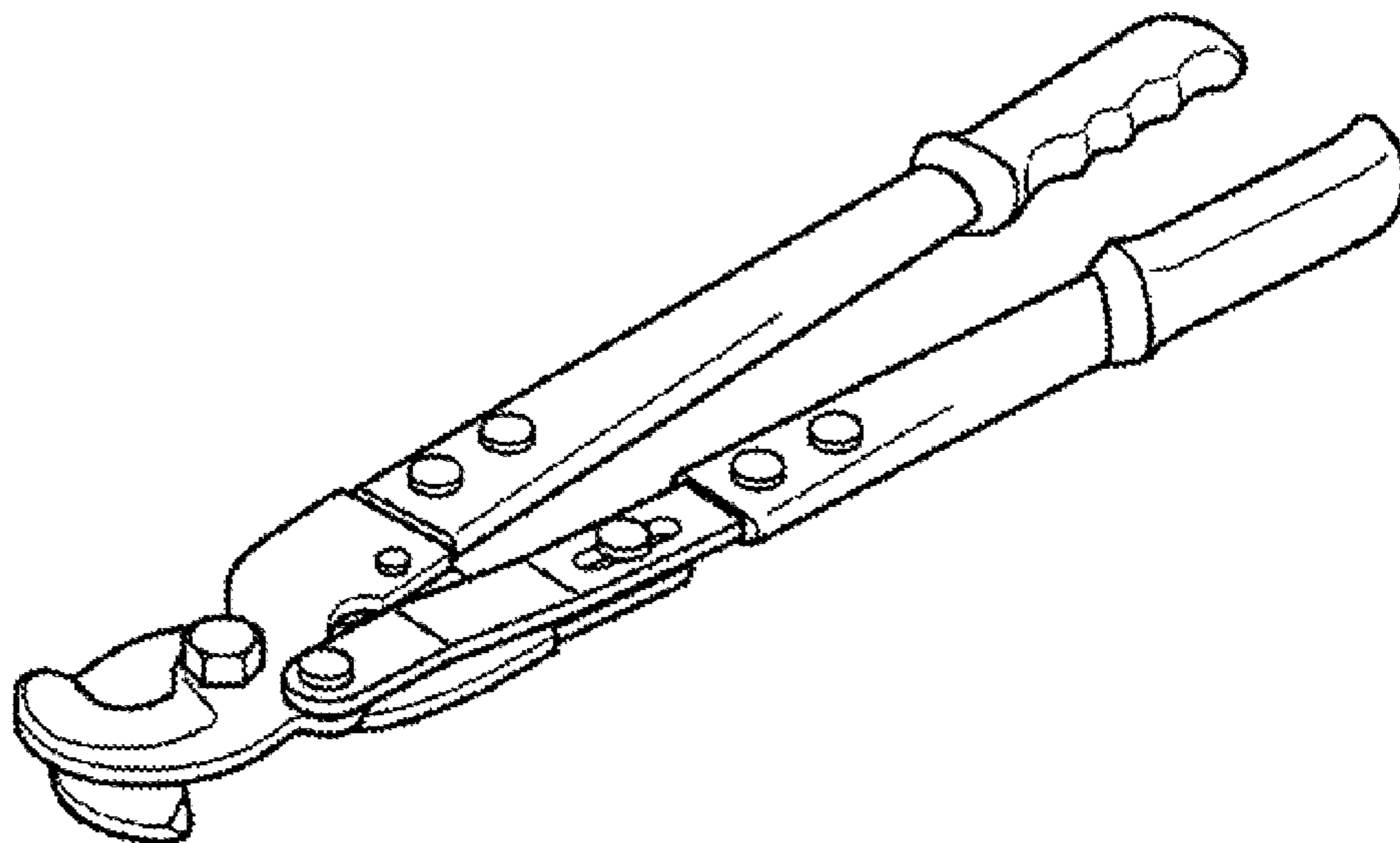


FIG. 11

