



US00D624796S

(12) **United States Design Patent**  
**Taylor, Jr.**

(10) **Patent No.:** **US D624,796 S**  
(45) **Date of Patent:** **\*\* Oct. 5, 2010**

(54) **WRENCH**

(76) Inventor: **James W. Taylor, Jr.**, 1047 Kristen Dr.,  
Medford, OR (US) 97504

(\*\*) Term: **14 Years**

(21) Appl. No.: **29/344,149**

(22) Filed: **Sep. 24, 2009**

(51) **LOC (9) Cl.** ..... **08-05**

(52) **U.S. Cl.** ..... **D8/28**

(58) **Field of Classification Search** ..... D8/21-30;  
81/60, 177.1, 177.85, 121.1, 124.3, 165-170,  
81/110.1, 176.2, 124.6, 176.1, 176.15, 177.2,  
81/186, 125, 119, 180.1, 185.02; 16/110.1;  
D15/144.1; 219/75, 227, 229, 121.16, 121.18  
See application file for complete search history.

(56) **References Cited**

**U.S. PATENT DOCUMENTS**

3,029,673	A	4/1962	Godsey	
3,242,775	A	3/1966	Hinkle	
4,598,616	A	7/1986	Colvin	
D299,206	S *	1/1989	Krapowicz et al.	D8/28
5,117,714	A	6/1992	Pagac	
5,148,726	A	9/1992	Huebschen	
6,009,778	A *	1/2000	Hsieh	81/119
D437,536	S *	2/2001	Macor	D8/28
D440,839	S *	4/2001	Lee	D8/28
6,318,216	B1 *	11/2001	Eggert et al.	81/61
6,755,098	B2 *	6/2004	Huang	81/119
6,907,805	B2	6/2005	Wright	
D528,383	S *	9/2006	Albertson	D8/28

D549,059	S *	8/2007	Wu	D8/27
7,261,020	B2 *	8/2007	Hsieh	81/121.1
7,661,339	B2 *	2/2010	Wu	81/186
2006/0288824	A1 *	12/2006	Hsieh	81/121.1
2009/0235788	A1 *	9/2009	Hsieh	81/121.1

\* cited by examiner

*Primary Examiner*—Raphael Barkai

*Assistant Examiner*—Randall H Gholson

(74) *Attorney, Agent, or Firm*—Jerry Haynes Law

(57) **CLAIM**

The ornamental design for a wrench, as shown and described.

**DESCRIPTION**

FIG. 1 is a top perspective view of a wrench showing my new design;

FIG. 2 is a front view thereof;

FIG. 3 is a rear view thereof;

FIG. 4 is a right side view thereof;

FIG. 5 is a left side view thereof;

FIG. 6 is a top view thereof;

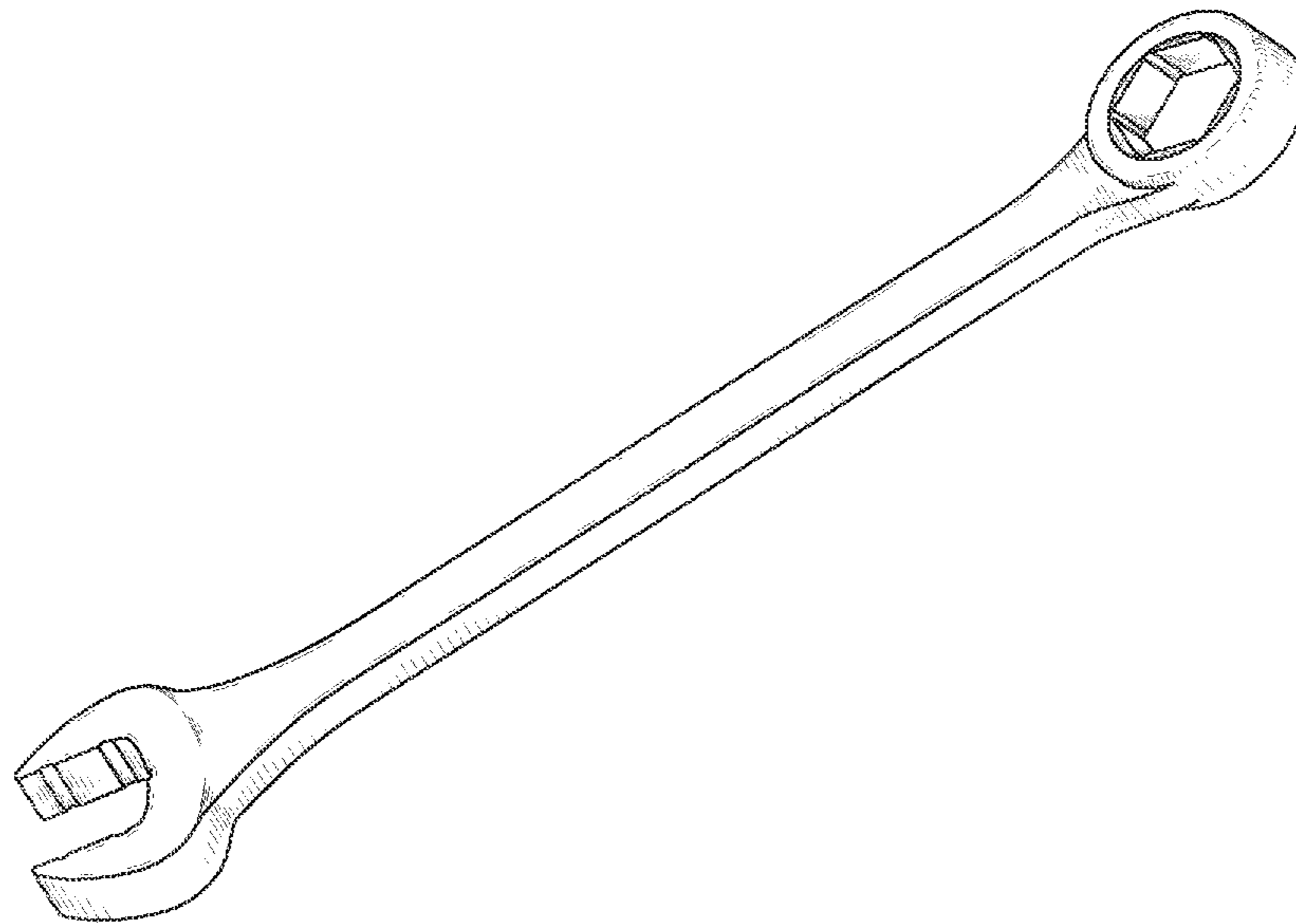
FIG. 7 is a bottom view thereof;

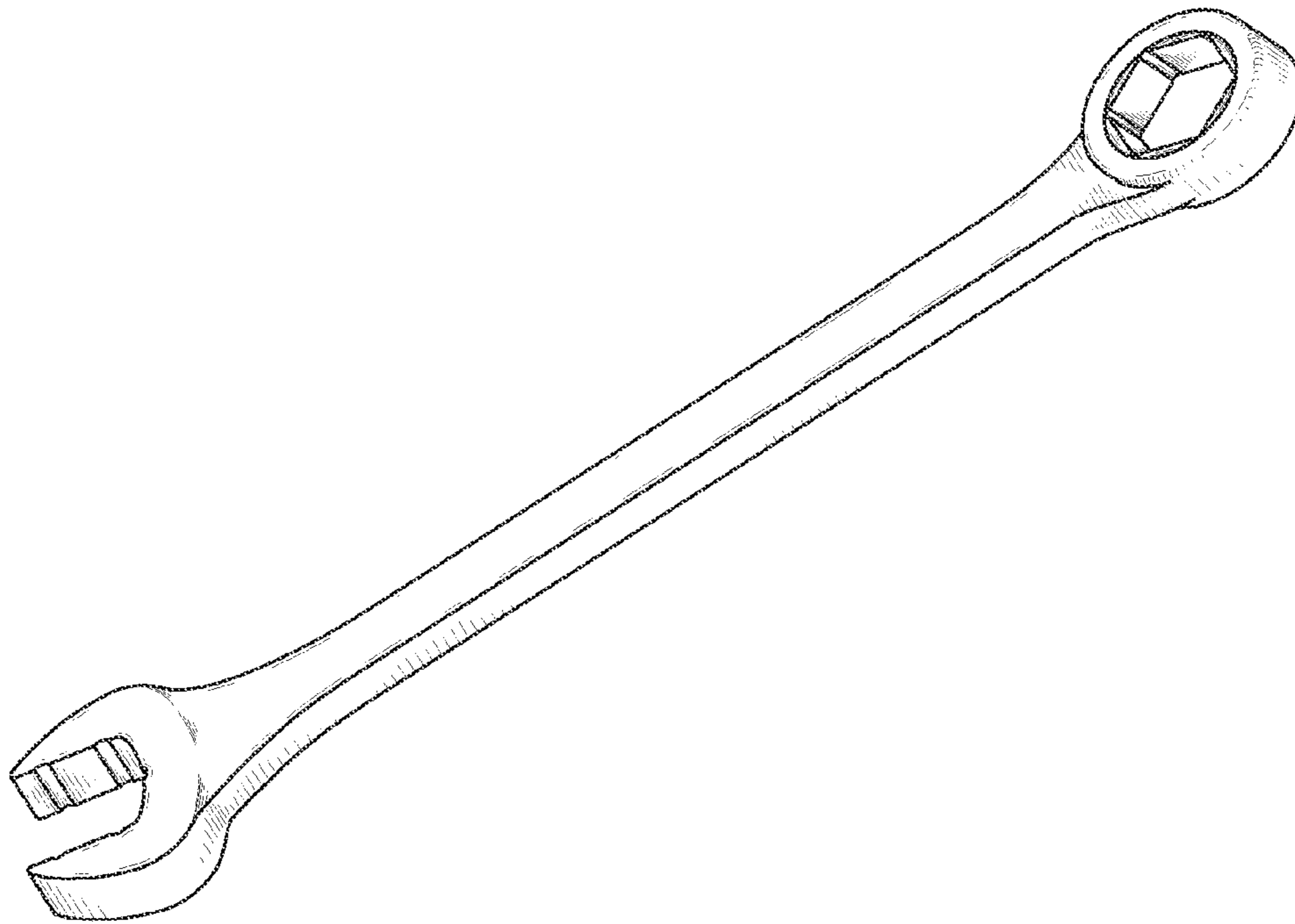
FIG. 8 is a perspective view showing the wrench in the environment in which it is to be used; and,

FIG. 9 is an alternative perspective view showing the wrench in the environment in which it is to be used.

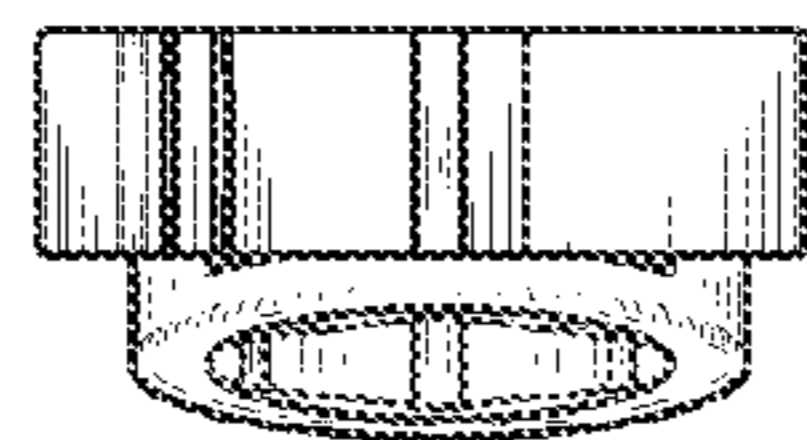
The broken lines shown in the drawings form no part of the claimed design.

**1 Claim, 3 Drawing Sheets**

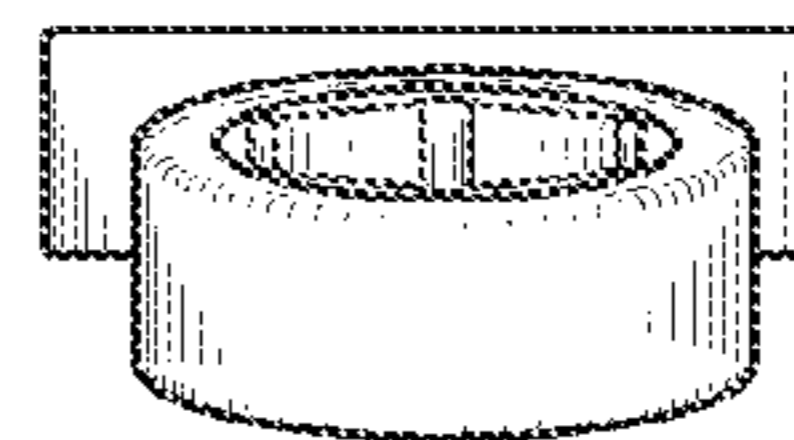




**FIG. 1**



**FIG. 2**



**FIG. 3**

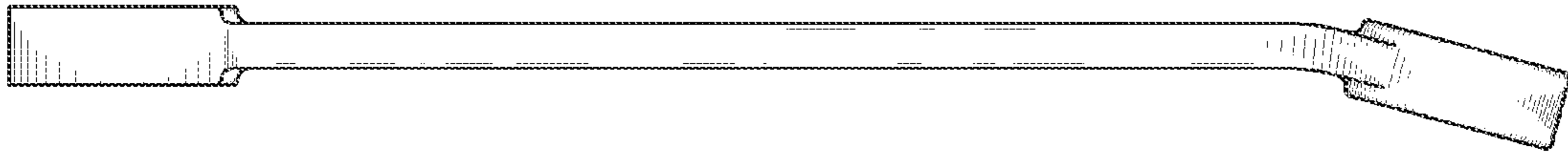


FIG. 4

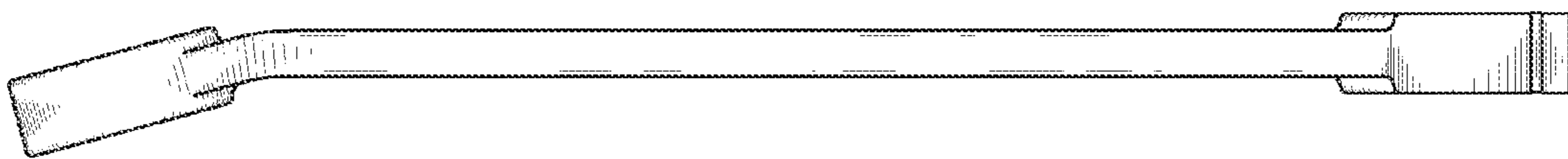


FIG. 5

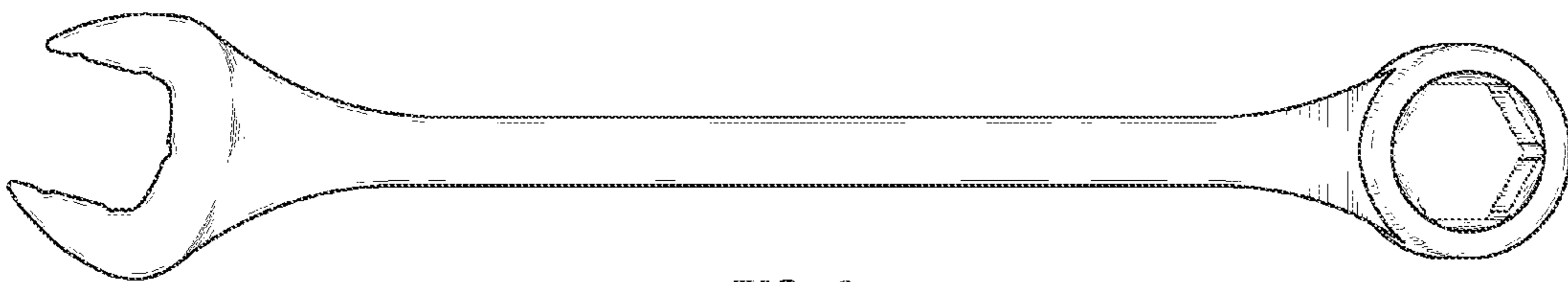


FIG. 6

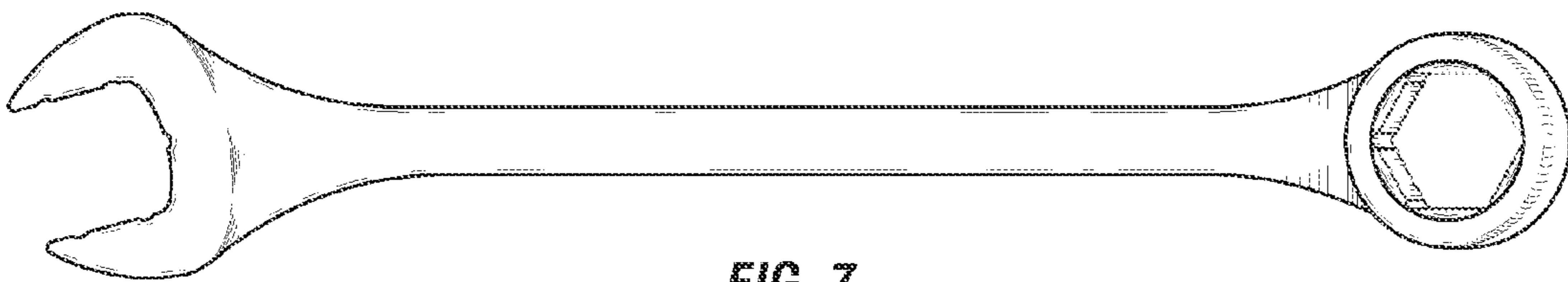


FIG. 7

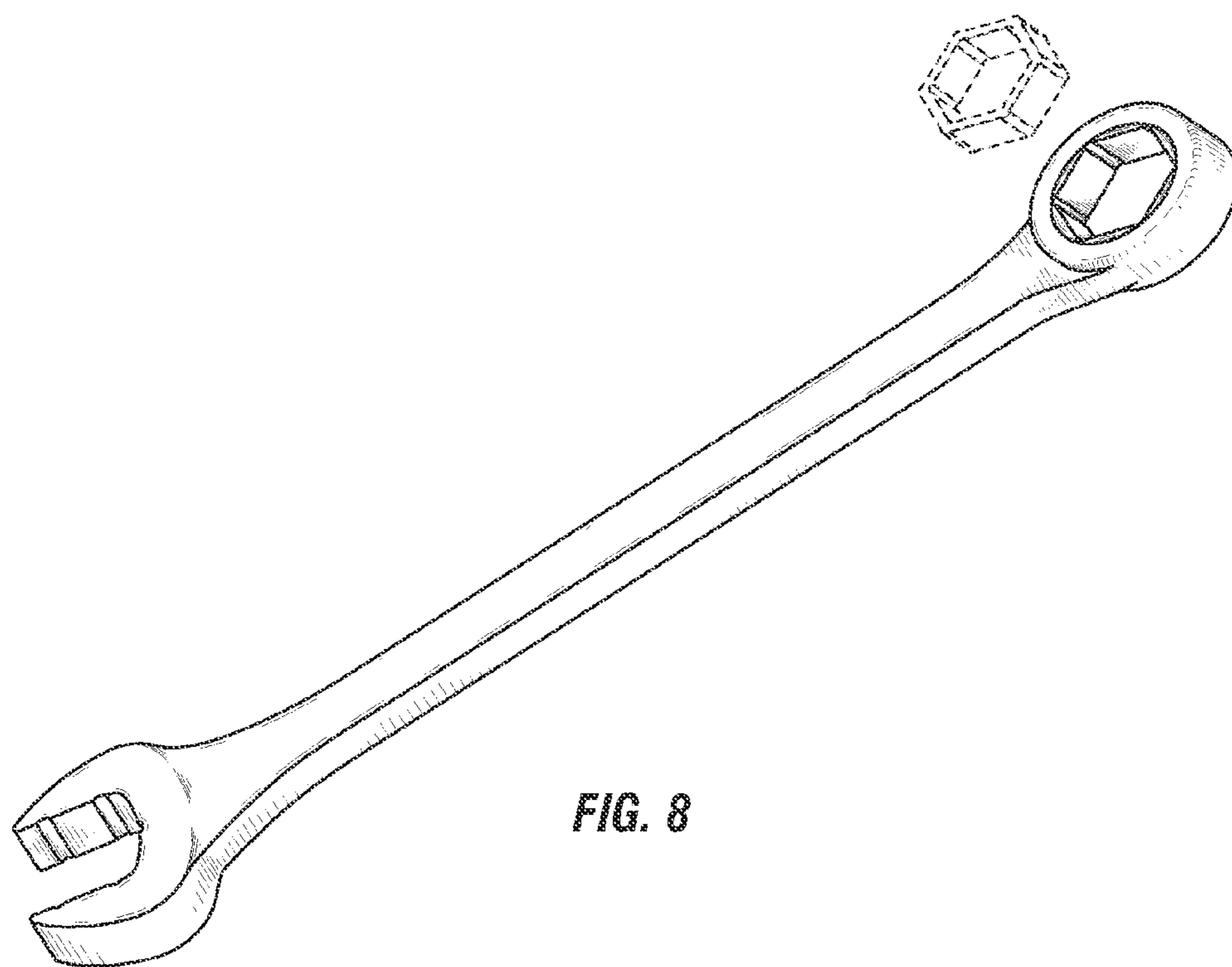


FIG. 8

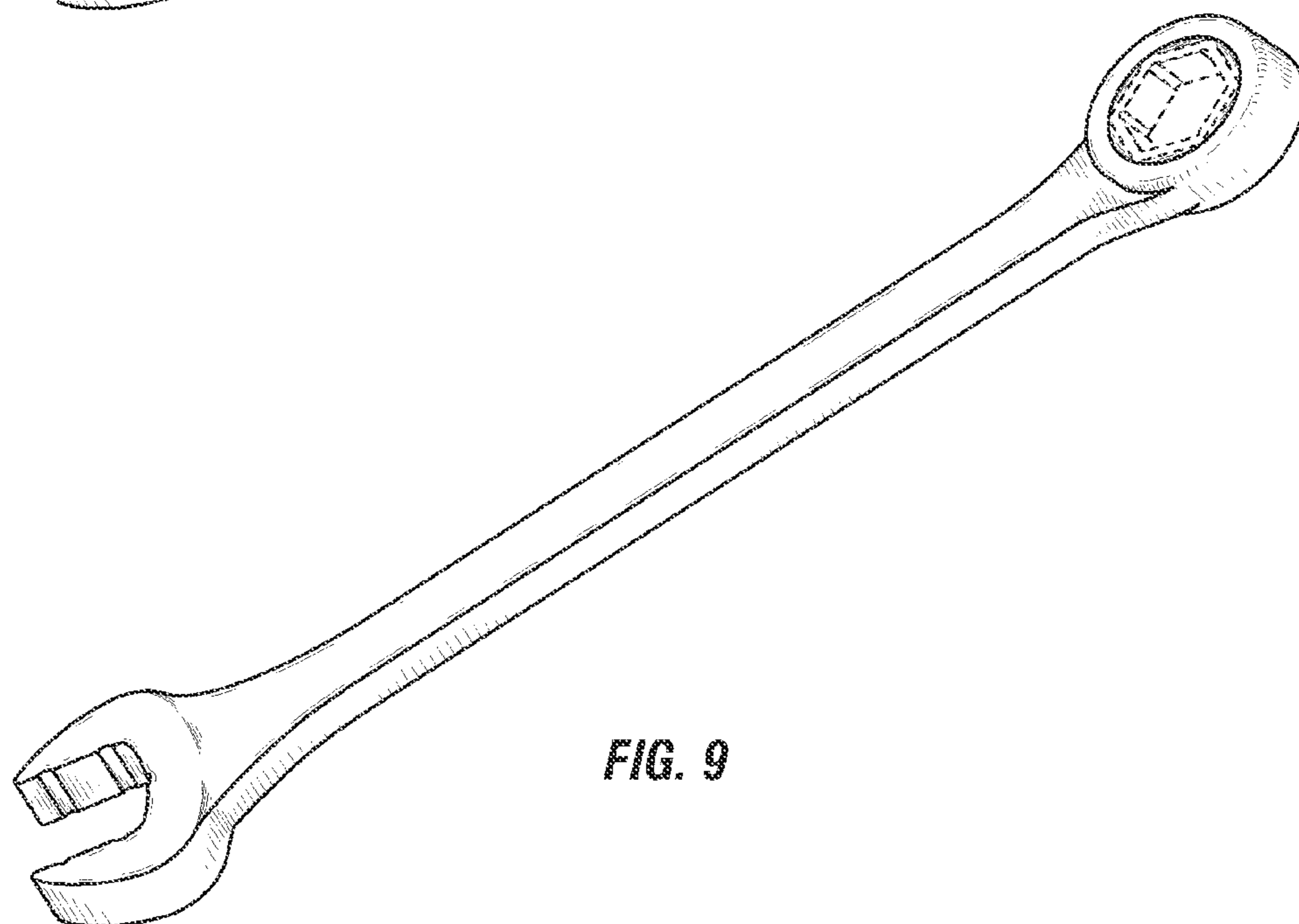


FIG. 9