



US00D624795S

(12) **United States Design Patent**  
**Koeleman**

(10) **Patent No.:** **US D624,795 S**  
(45) **Date of Patent:** **\*\* Oct. 5, 2010**

(54) **TRAY**

(75) Inventor: **Christina Koeleman**, Auckland (NZ)

(73) Assignee: **PACT Group Pty Ltd** (AU)

(\*\*) Term: **14 Years**

(21) Appl. No.: **29/352,197**

(22) Filed: **Dec. 17, 2009**

(30) **Foreign Application Priority Data**

Jun. 17, 2009 (AU) ..... 12207/2009

(51) **LOC (9) Cl.** ..... **07-06**

(52) **U.S. Cl.** ..... **D7/706**

(58) **Field of Classification Search** ..... D7/543,  
D7/549, 550.1, 552.1, 553.1-553.8, 554.1-554.4,  
D7/555, 600, 600.1, 701; D3/304, 307-308,  
D3/315, 901, 905; 220/500, 506-507, 509,  
220/514, 516-517

See application file for complete search history.

(56) **References Cited**

**U.S. PATENT DOCUMENTS**

D198,236 S \* 5/1964 Schaefer ..... D3/308  
D210,613 S \* 3/1968 Moore ..... D7/611  
D307,967 S \* 5/1990 Lanius ..... D3/309  
D329,135 S \* 9/1992 Embree ..... D3/308

D381,562 S \* 7/1997 Westcott ..... D7/600  
D383,943 S \* 9/1997 Boley ..... D7/555  
D402,411 S \* 12/1998 Radler ..... D28/61  
2002/0078833 A1 \* 6/2002 Sloan et al. .... 99/426

\* cited by examiner

*Primary Examiner*—Ian Simmons

*Assistant Examiner*—Dana L Sipos

(74) *Attorney, Agent, or Firm*—David A. Cherry; Feldman  
Gale, P.A.

(57) **CLAIM**

The ornamental design for a tray, as shown and described.

**DESCRIPTION**

FIG. 1 provides a front elevation view of the tray.

FIG. 2 depicts a rear elevation of the tray.

FIG. 3 depicts a view of a side elevation of a first side of the tray.

FIG. 4 depicts a view of a side elevation of the opposing side of the tray.

FIG. 5 provides a bottom plan view of the tray.

FIG. 6 provides a top plan view of the tray.

FIG. 7 shows a perspective view from the top of the tray; and,

FIG. 8 shows a perspective view from the bottom of the tray.

**1 Claim, 8 Drawing Sheets**

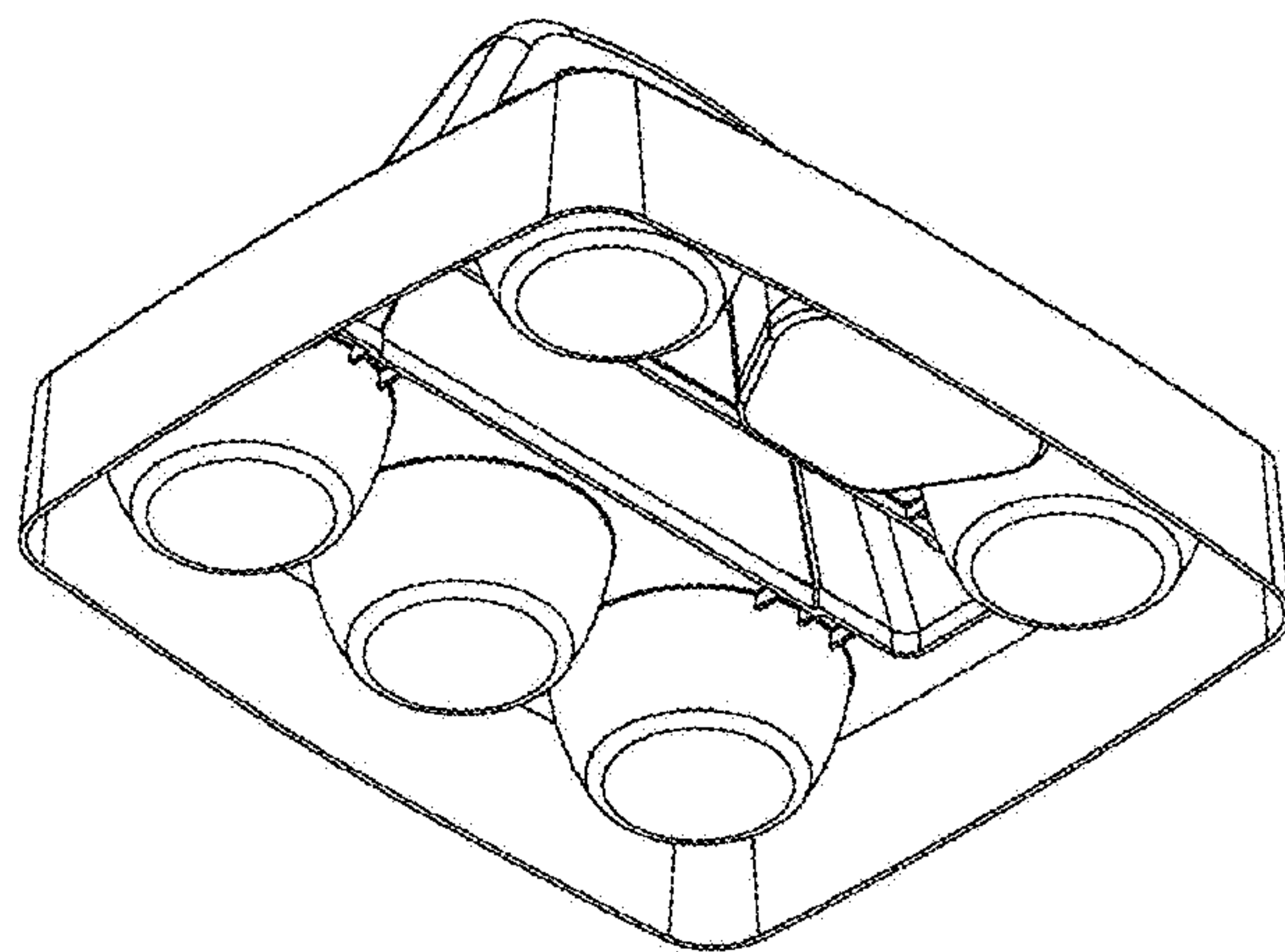
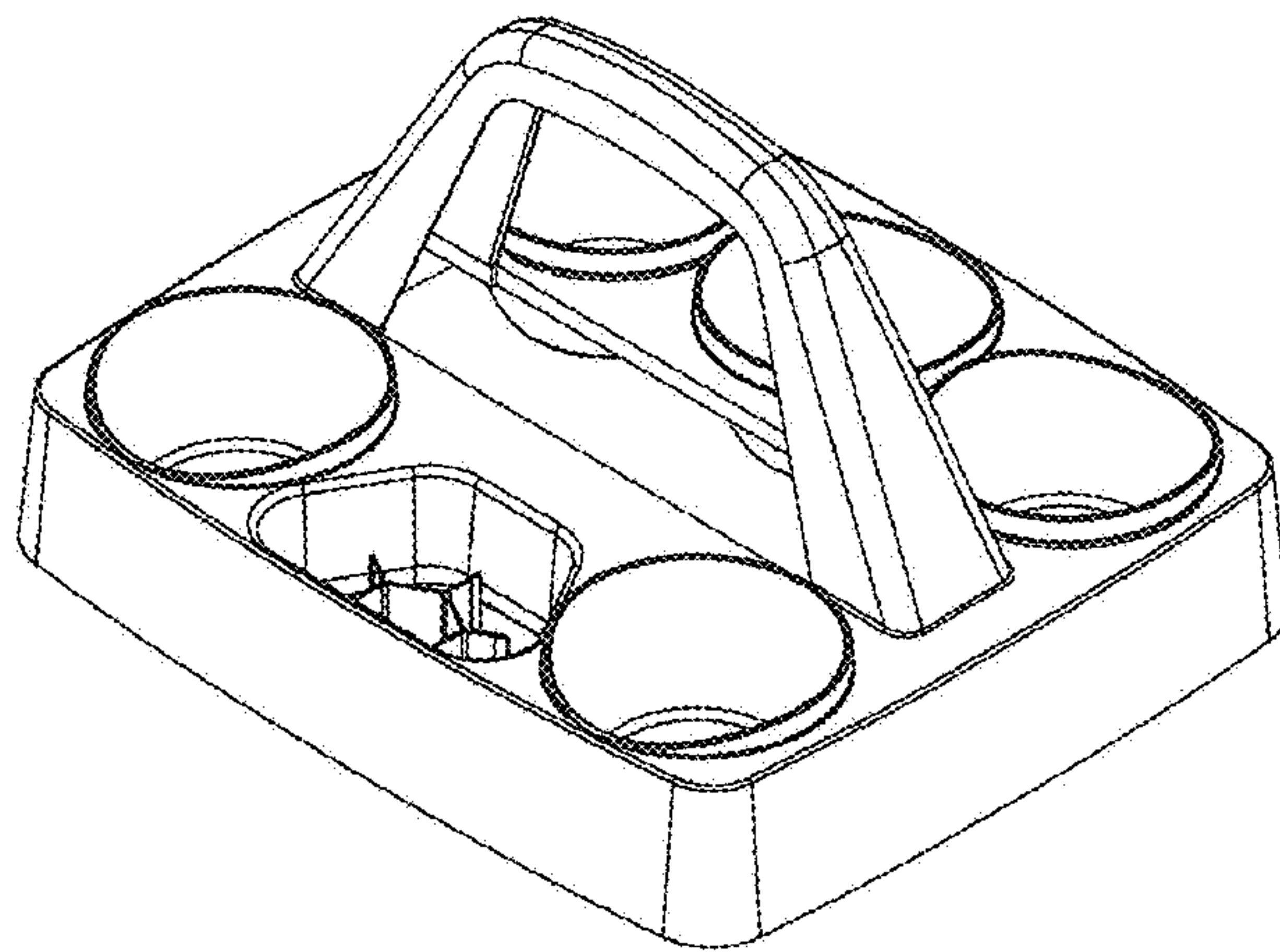


Fig. 1 of 8

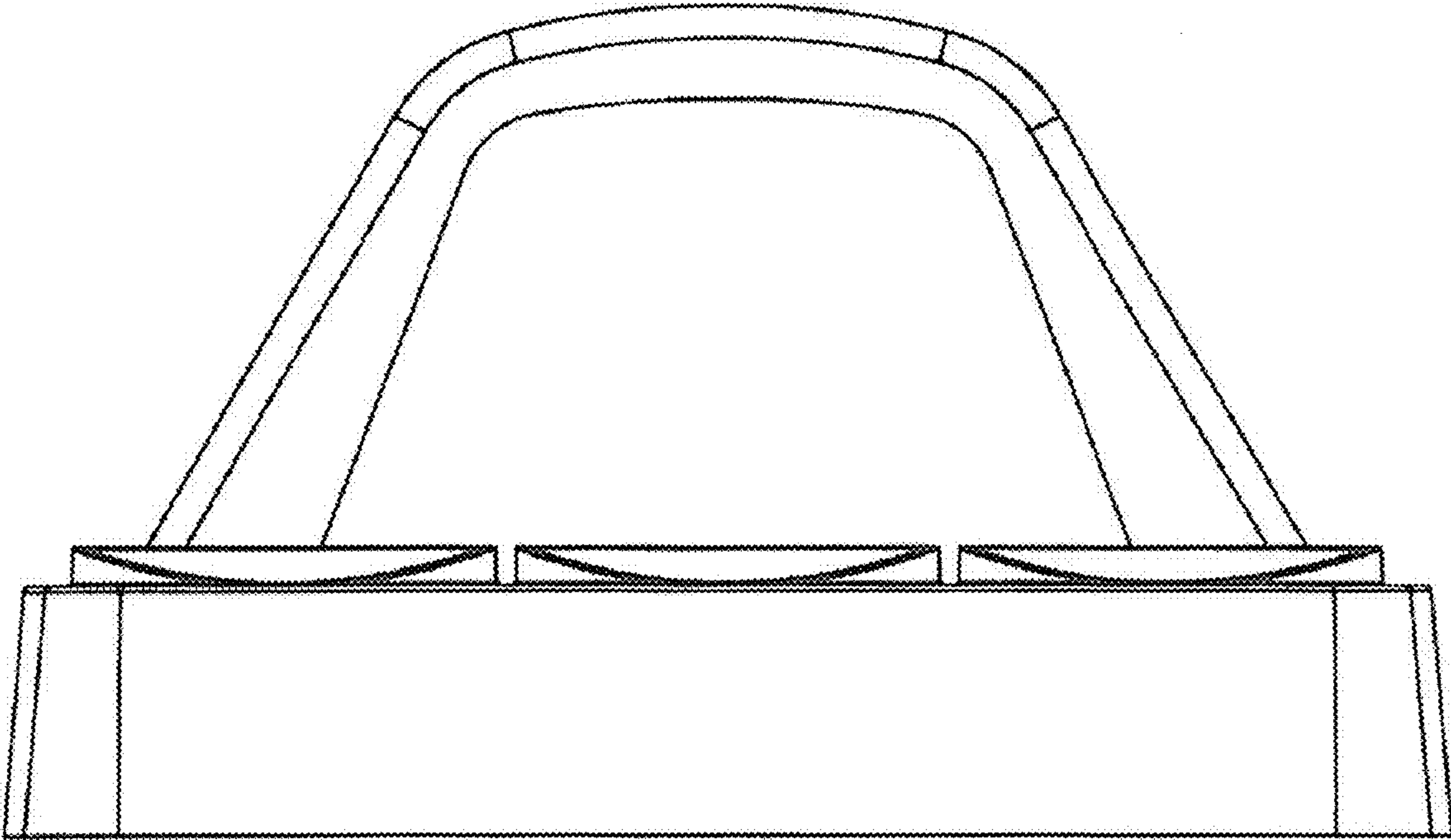


Fig. 2 of 8

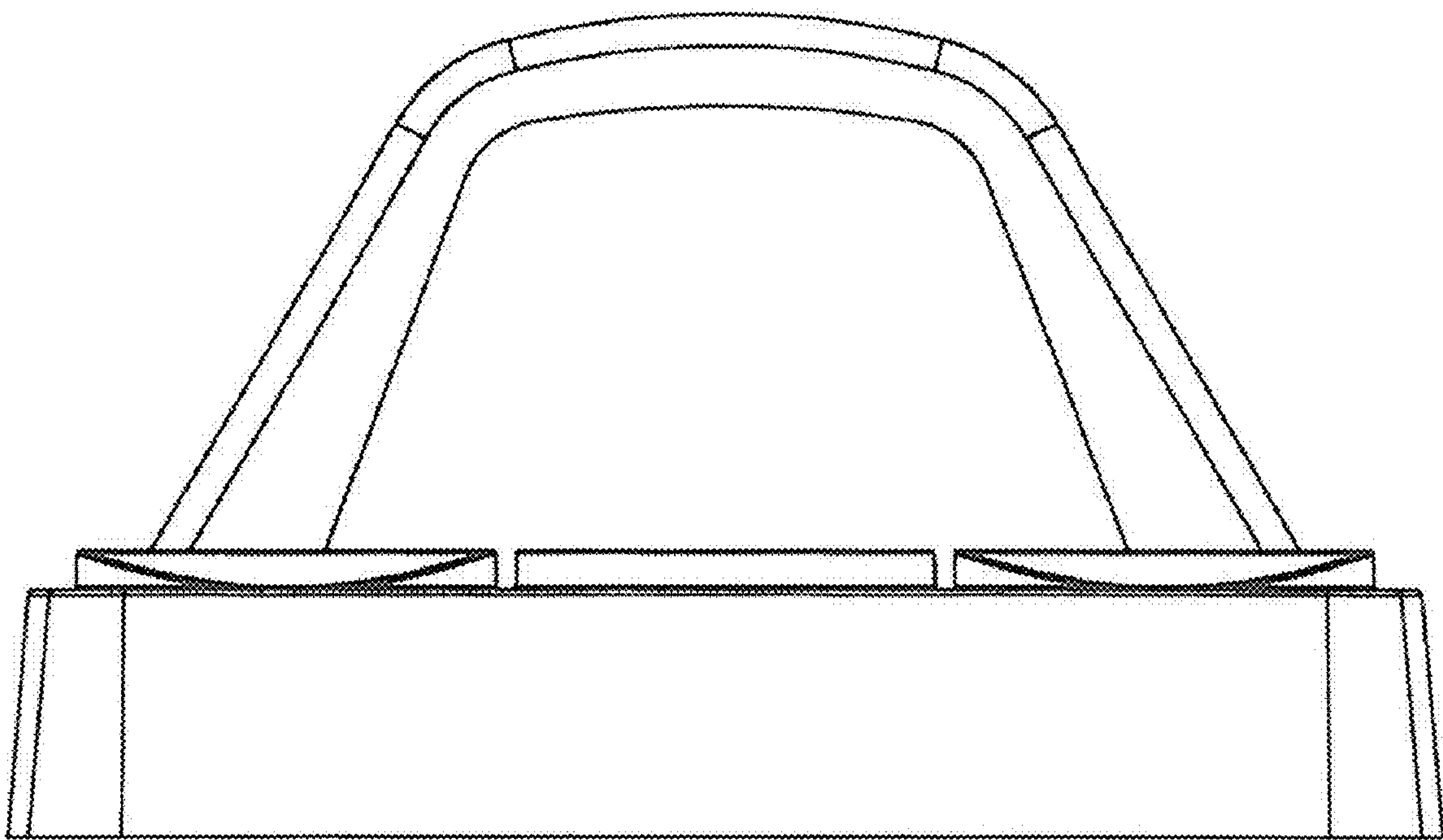


Fig. 3 of 8

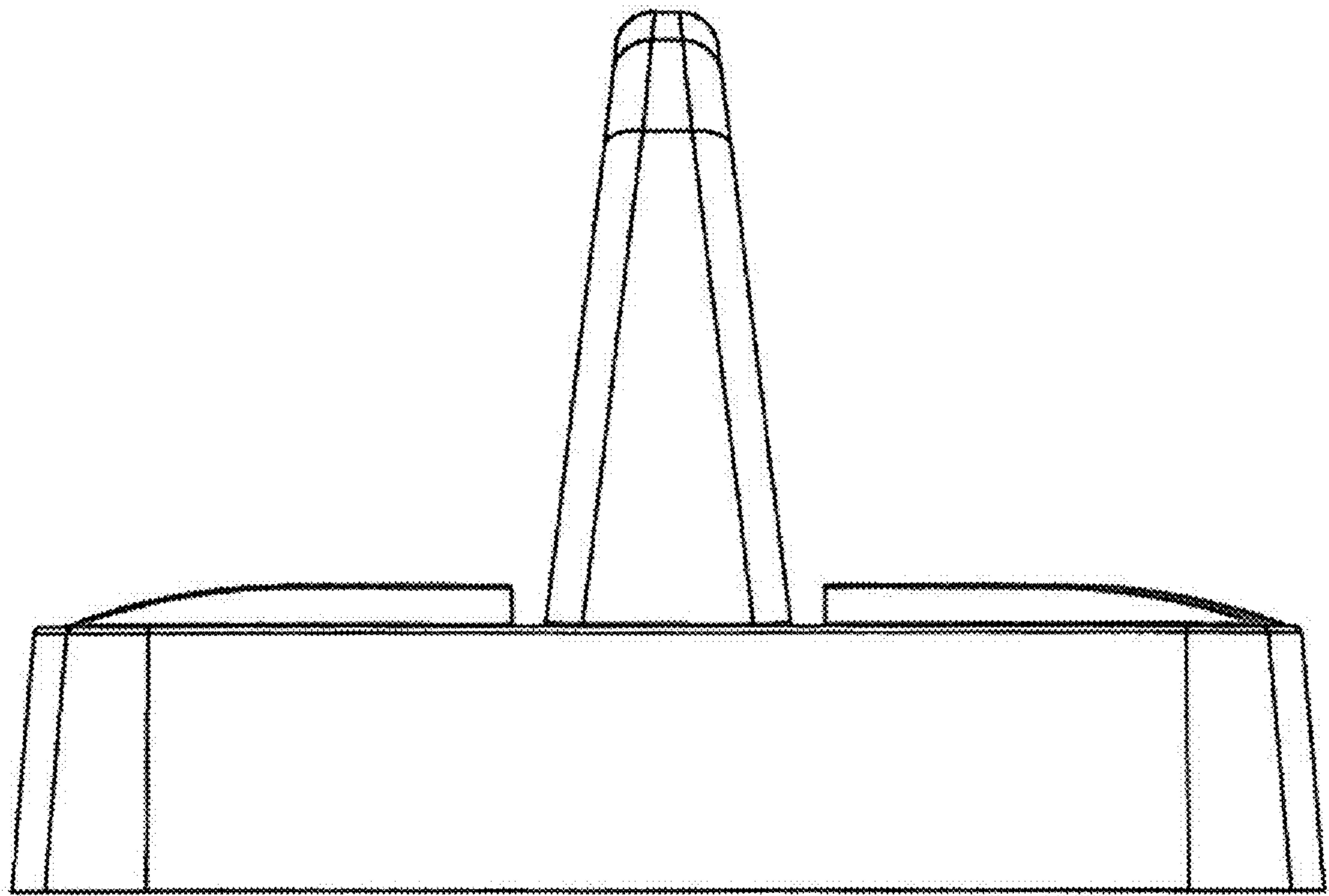


Fig. 4 of 8

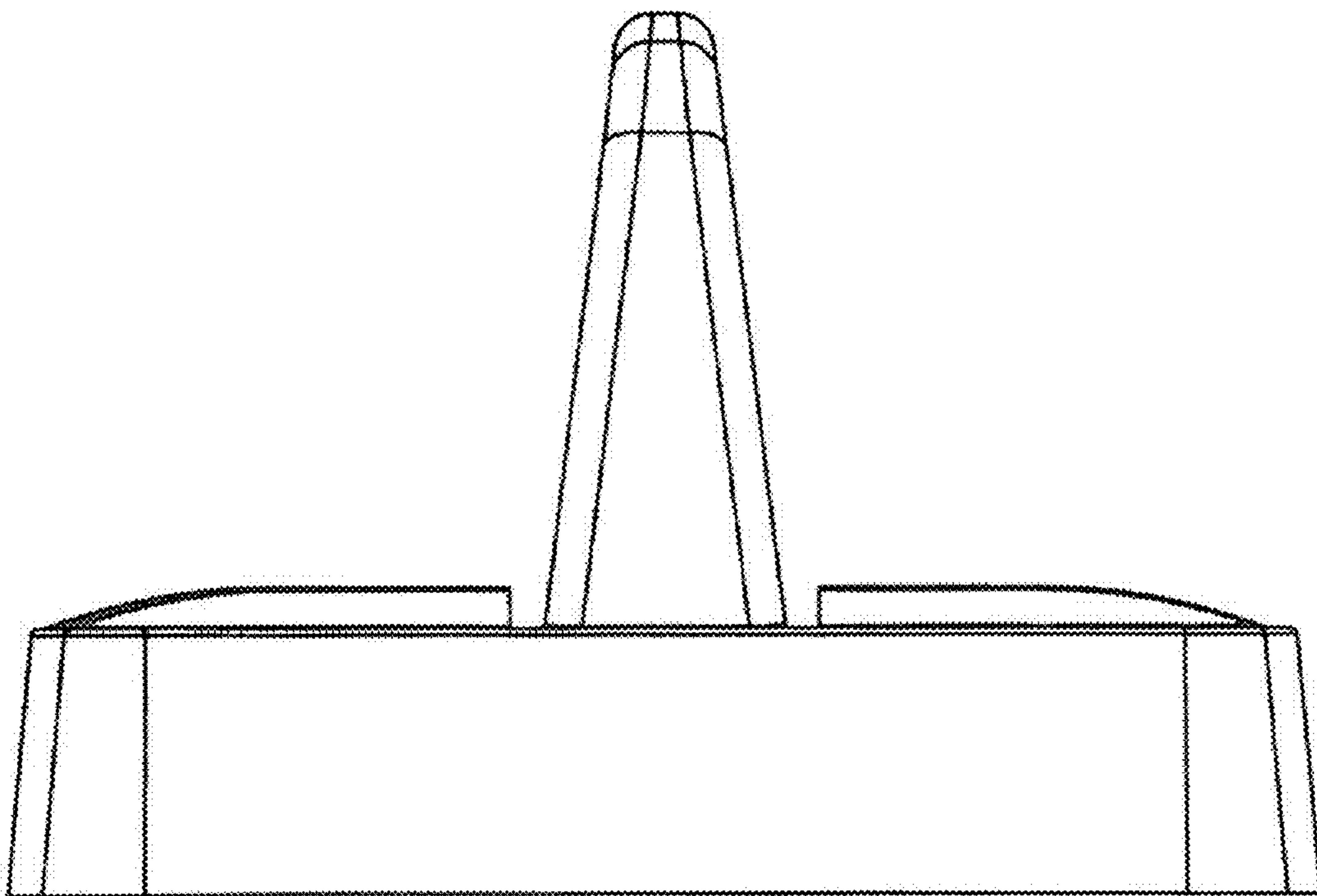




Fig. 5 of 8

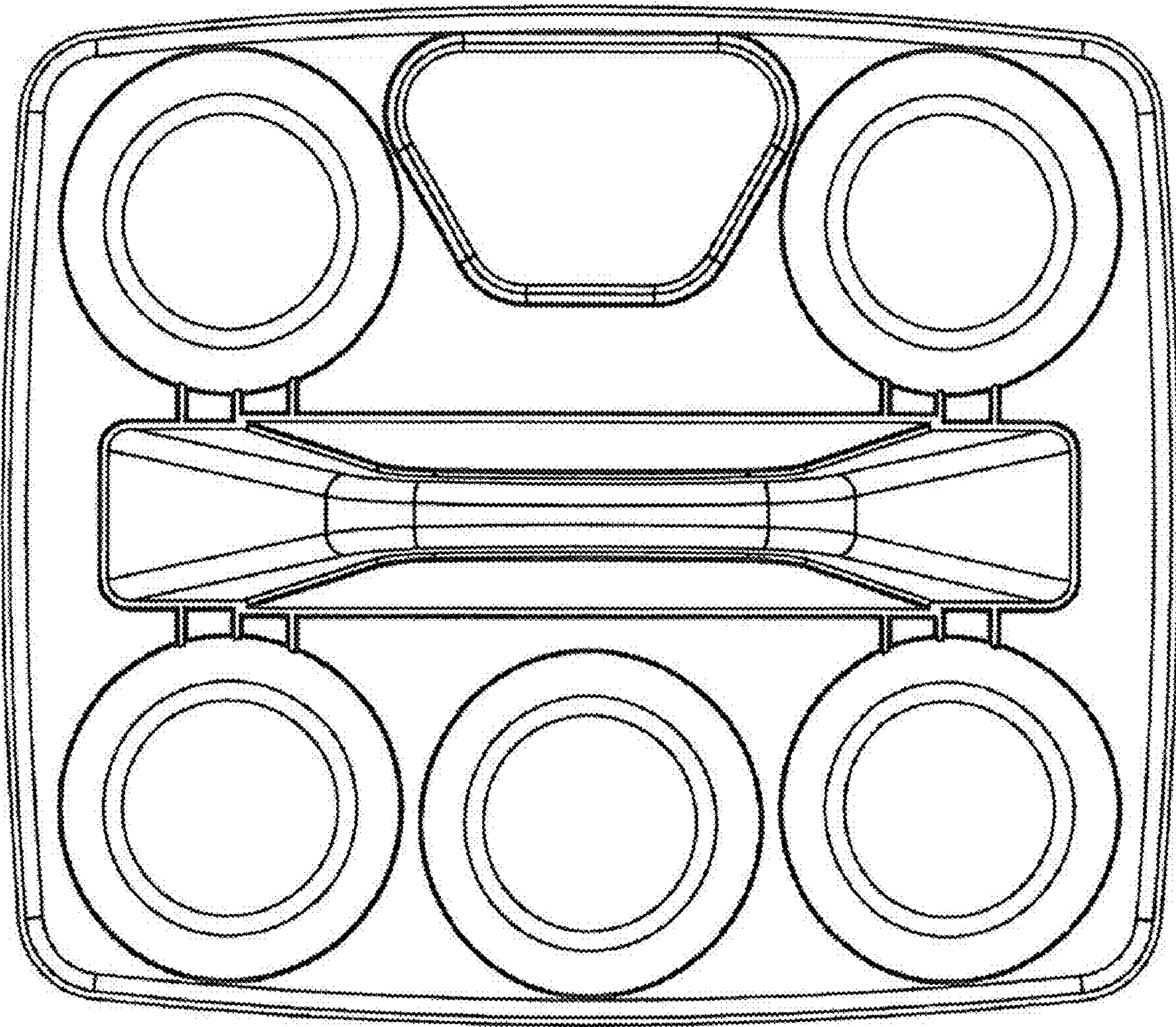


Fig. 6 of 8

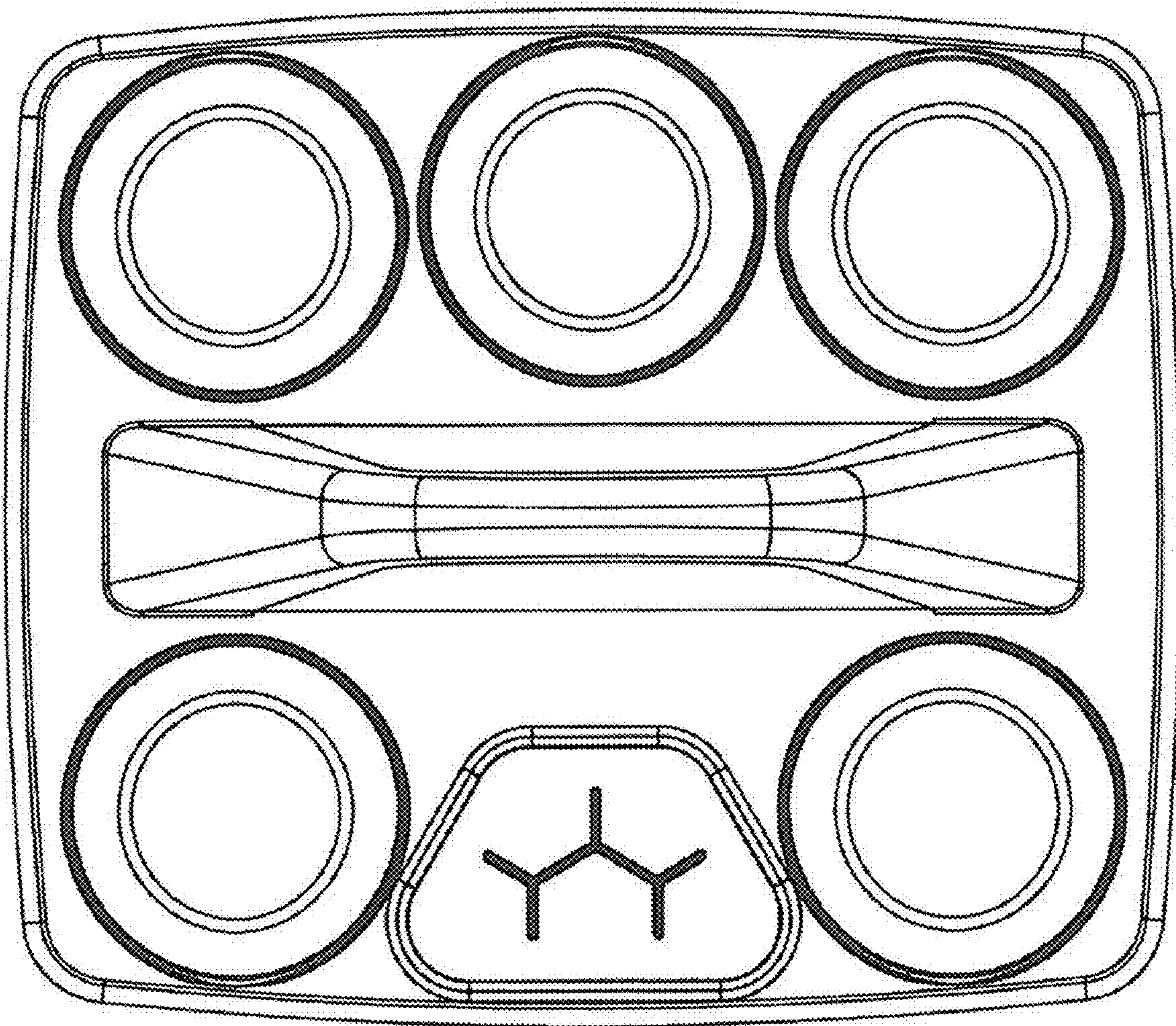




Fig. 7 of 8

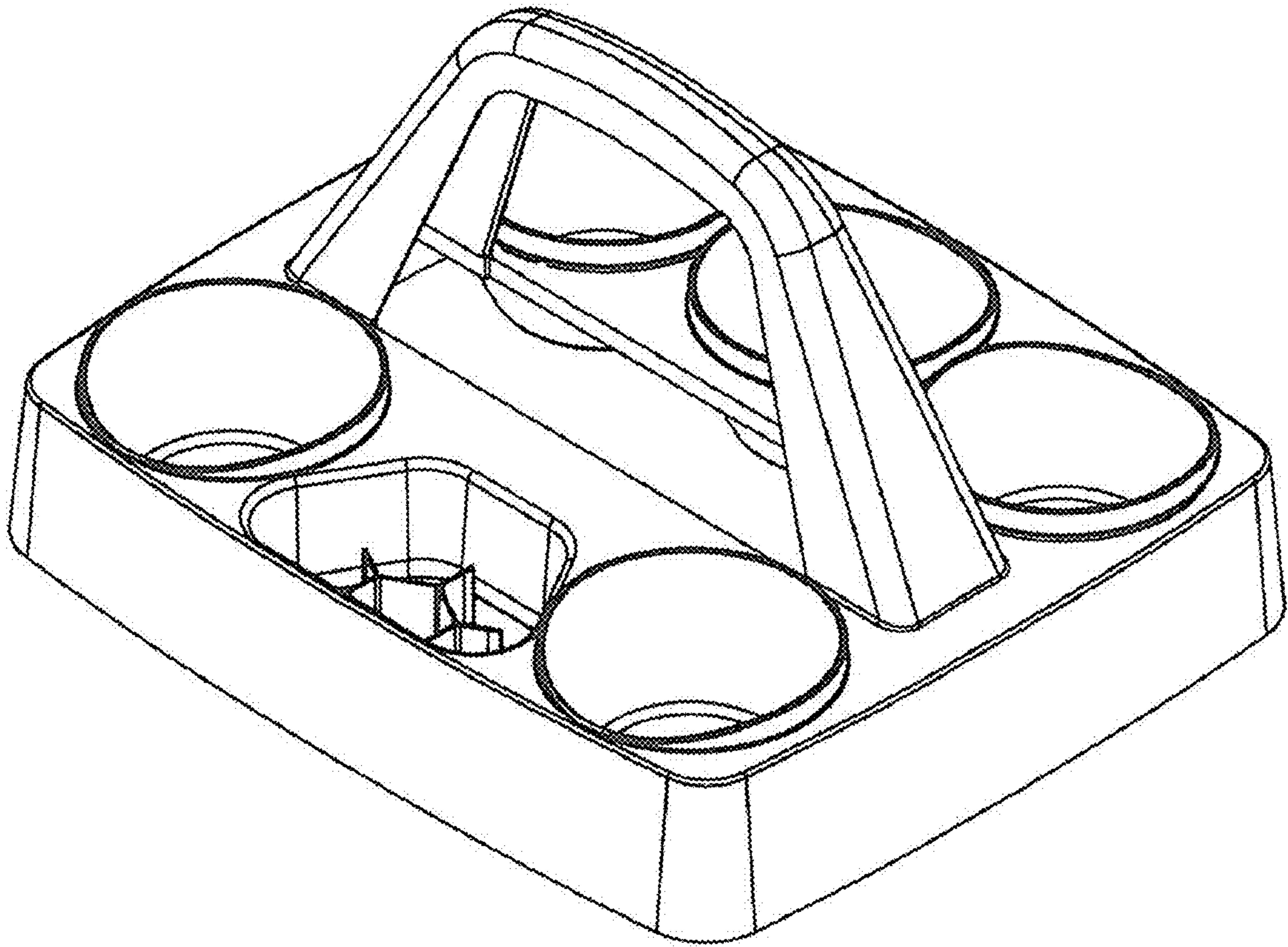




Fig. 8 of 8

