



US00D624792S

(12) **United States Design Patent**
Ghassemian et al.

(10) **Patent No.:** **US D624,792 S**
(45) **Date of Patent:** **** Oct. 5, 2010**

(54) **CORN CUTTING DEVICE**

(75) Inventors: **Morad Ghassemian**, Oak Park, IL (US);
Christine J. Lee, Seattle, WA (US);
Lawrence M. Hauser, Auburn, WA
(US)

(73) Assignee: **Columbia Insurance Company**,
Omaha, NE (US)

2,785,463 A 3/1957 Ager
2,811,844 A 11/1957 Selmer
3,176,390 A 4/1965 Robinson
4,885,842 A 12/1989 Marley
D353,976 S 1/1995 Perkins
5,438,760 A 8/1995 Charlier
D364,015 S 11/1995 Stoltzfus
D526,544 S * 8/2006 Settele D7/693

(**) Term: **14 Years**

(Continued)

(21) Appl. No.: **29/331,902**

FOREIGN PATENT DOCUMENTS

(22) Filed: **Feb. 4, 2009**

EP 1 736 082 B1 4/2008

(51) **LOC (9) Cl.** **07-06**

(52) **U.S. Cl.** **D7/693**

(58) **Field of Classification Search** D7/368,
D7/669, 682-693, 695-696, 381-382; D8/47-48;
30/121.5, 149, 123.7; 99/567-568, 588,
99/600; D28/56-57, 59-60; D24/147
See application file for complete search history.

Primary Examiner—Ian Simmons
Assistant Examiner—Dana L Sipos
(74) *Attorney, Agent, or Firm*—Neal Gerber & Eisenberg
LLP

(57) **CLAIM**

The ornamental design for a corn cutting device, as shown
and described.

(56) **References Cited**

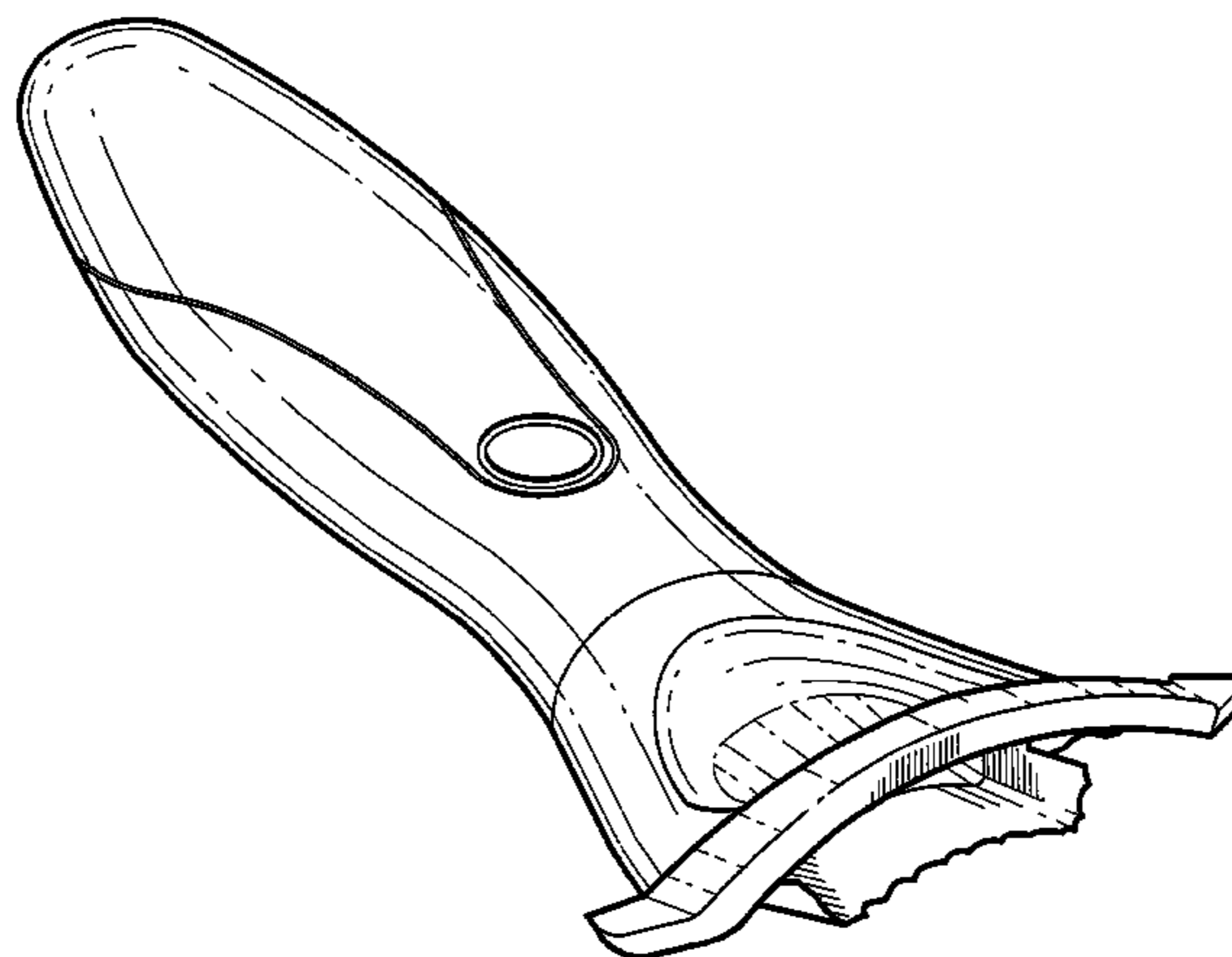
U.S. PATENT DOCUMENTS

197,145 A 11/1877 Kirk
422,384 A 3/1890 Darley
726,524 A 4/1903 Furrow
935,517 A 9/1909 Johnson
961,825 A 6/1910 Wells
1,018,788 A 2/1912 Stone
1,345,456 A 7/1920 Olcott
1,414,372 A 5/1922 Olcott
1,633,365 A 6/1927 Ebmeier
1,799,588 A 4/1931 Hurlburt
1,971,222 A 8/1934 Hunter
2,040,458 A 5/1936 Bacon
2,173,751 A 9/1939 Burkhardt
2,251,842 A 8/1941 Hill
2,326,873 A 8/1943 Meek
2,412,149 A 12/1946 Higgins
2,415,114 A 2/1947 Skolrud
2,447,301 A 8/1948 Wright
2,493,588 A 1/1950 Martin

DESCRIPTION

FIG. 1 is a perspective view of the corn cutting device of the
present invention;
FIG. 2 is a top plan view of the corn cutting device as shown
in FIG. 1;
FIG. 3 is a bottom plan view of the corn cutting device as
shown in FIG. 1;
FIG. 4 is a side elevational view of the corn cutting device as
shown in FIG. 1;
FIG. 5 is a front elevational view of the corn cutting device as
shown in FIG. 1; and,
FIG. 6 is a rear elevational view of the corn cutting device as
shown in FIG. 1.

1 Claim, 5 Drawing Sheets



US D624,792 S

Page 2

U.S. PATENT DOCUMENTS

D561,395 S *	2/2008	Lee	D28/57	2006/0288582 A1	12/2006	Settele
D605,479 S *	12/2009	Fiene et al.	D7/695	2008/0066316 A1	3/2008	Schwab
D609,537 S *	2/2010	Kestenbaum	D7/695	* cited by examiner		

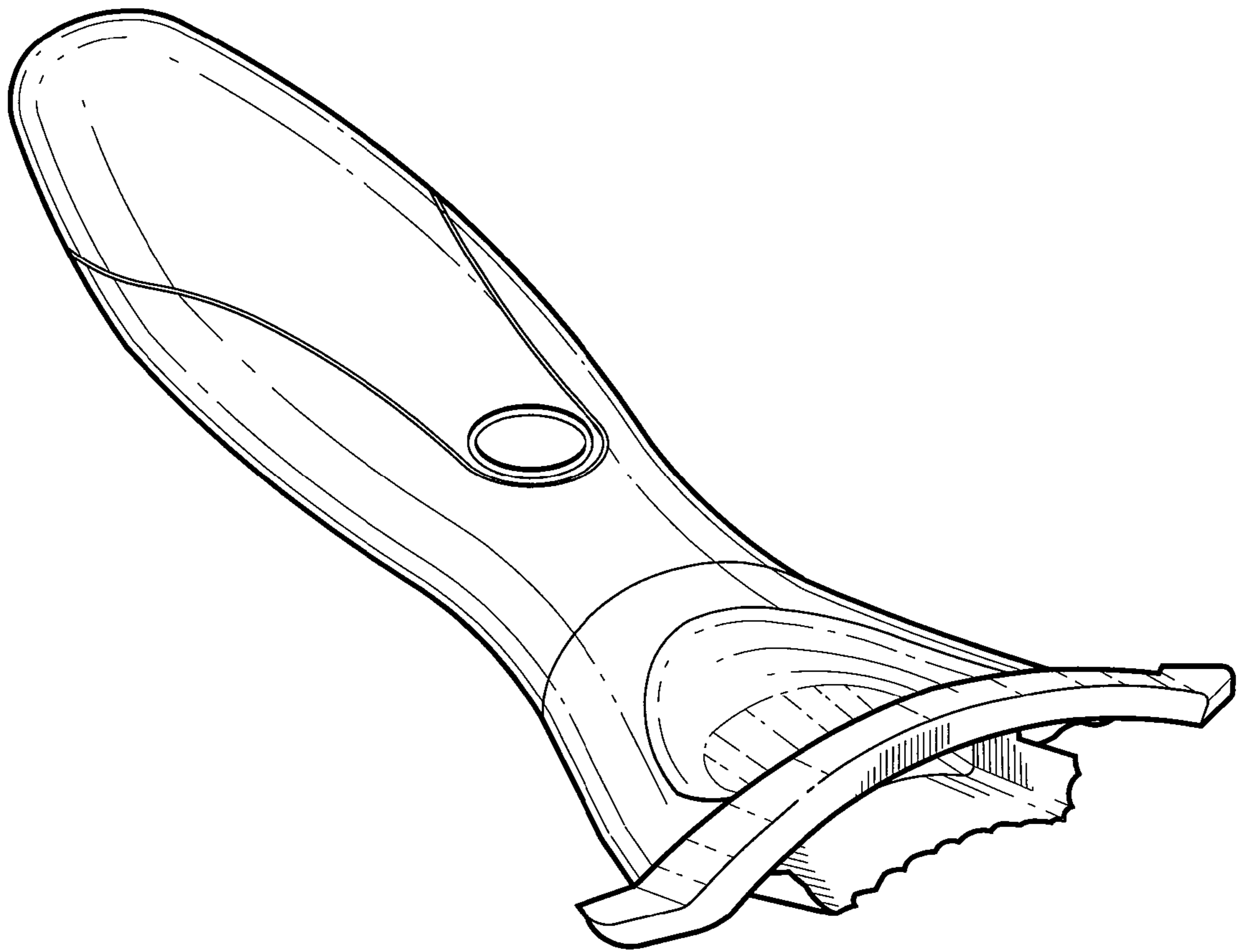


FIG. 1

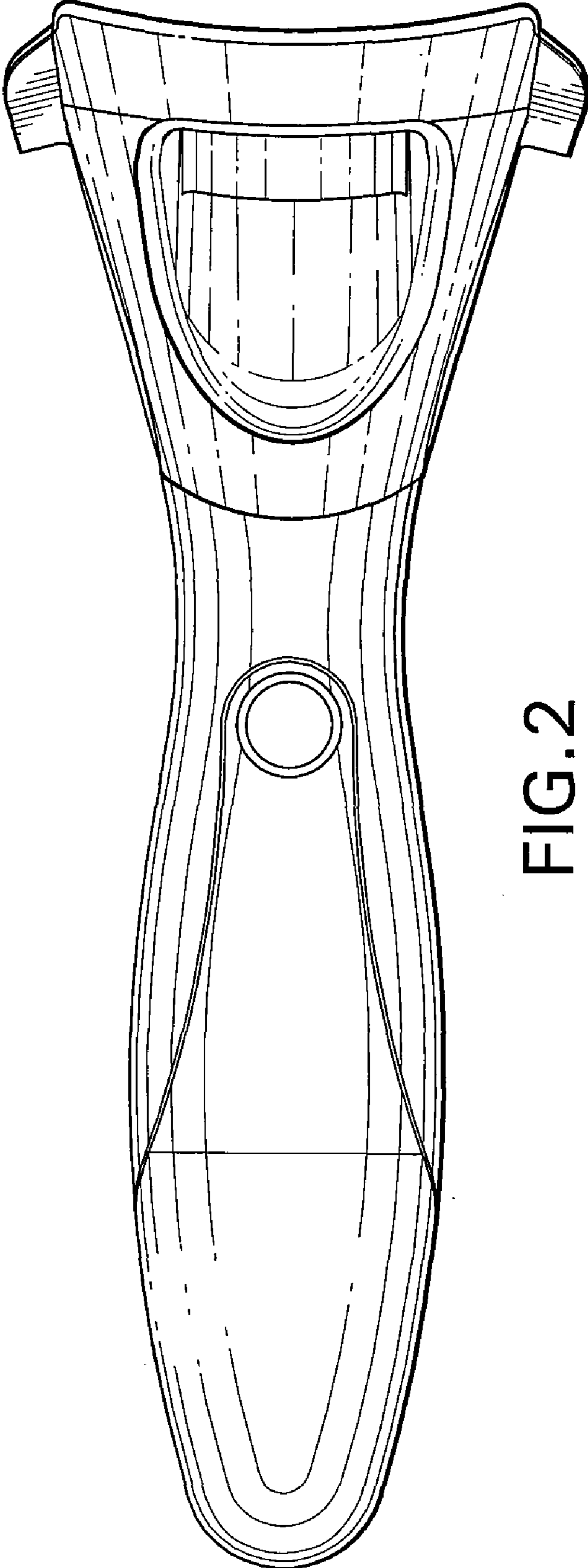


FIG. 2

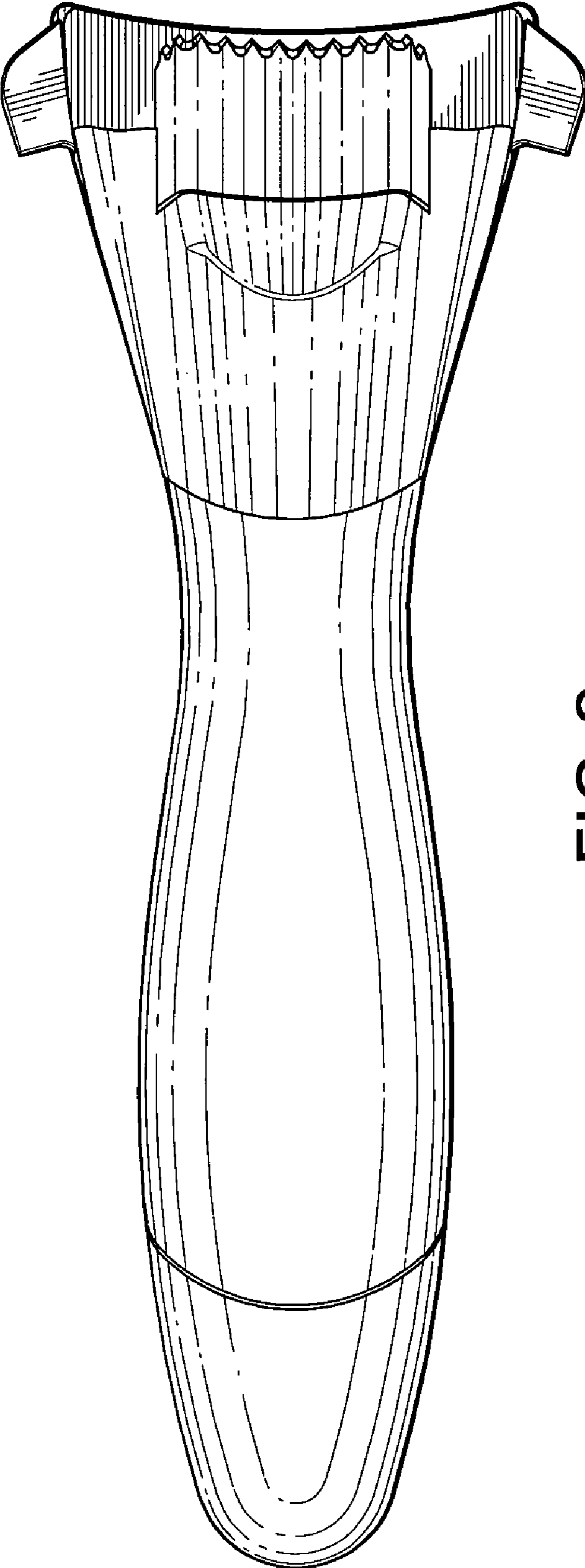


FIG. 3

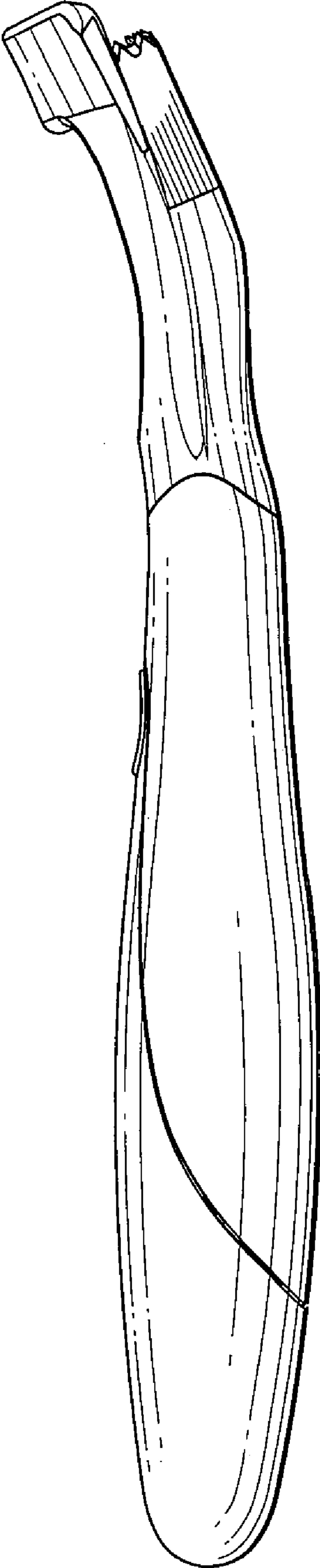


FIG.4

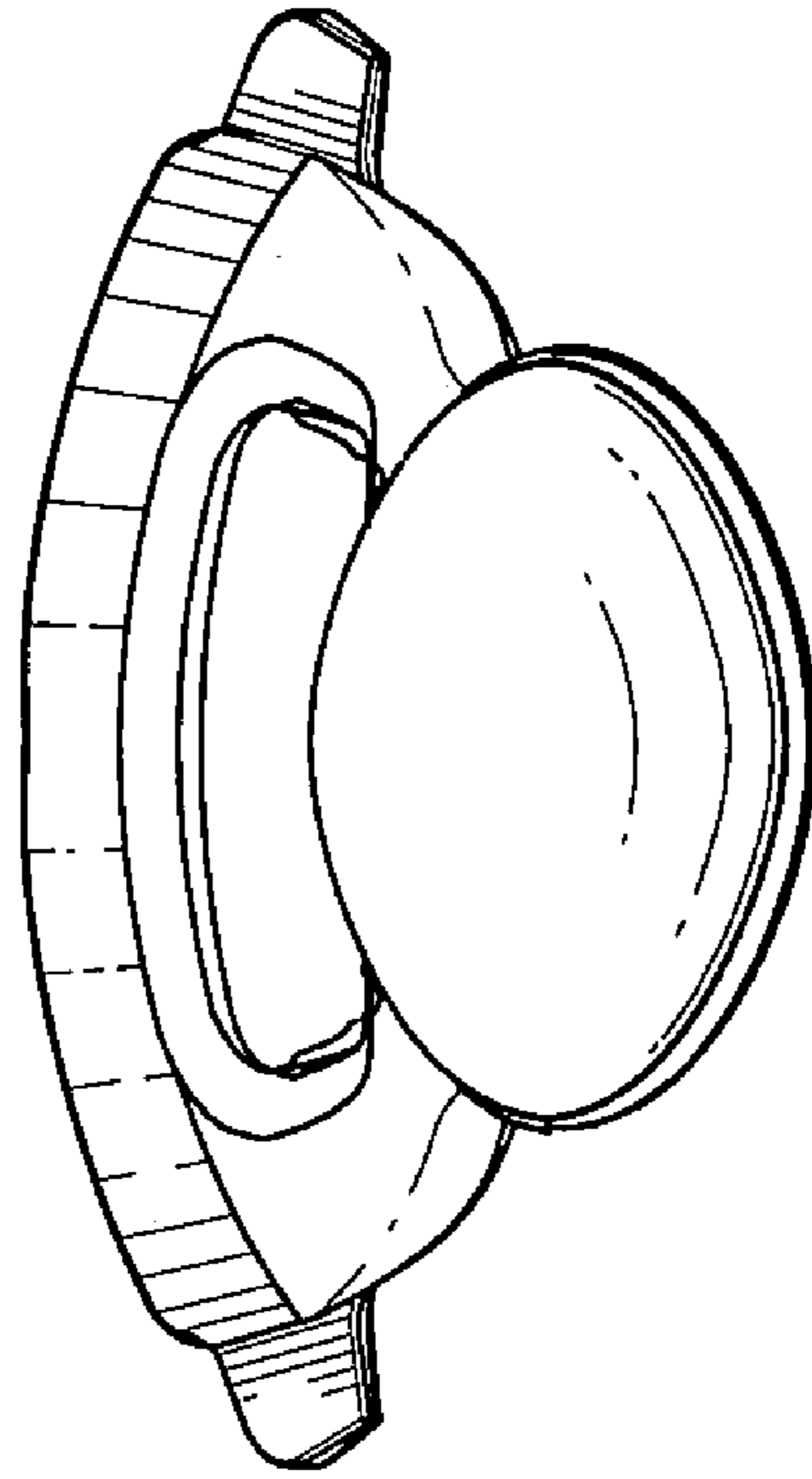


FIG. 6

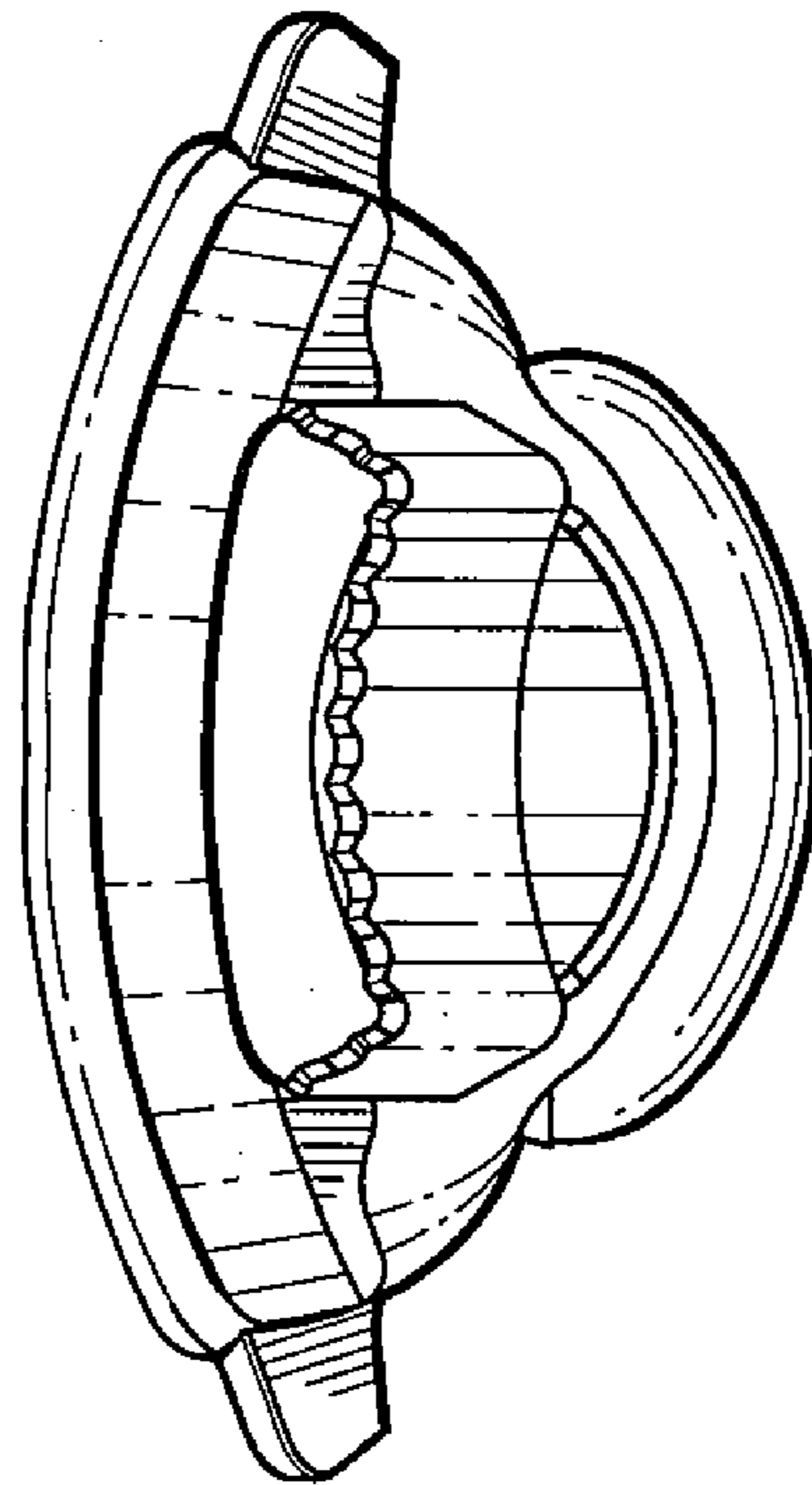


FIG. 5