



US00D624787S

(12) **United States Design Patent**
Adams et al.

(10) **Patent No.:** **US D624,787 S**

(45) **Date of Patent:** **** Oct. 5, 2010**

(54) **GRILLING WOK**

(75) Inventors: **Charles Adams**, Berkeley, CA (US);
Cory Thomas Borovicka, San Francisco, CA (US)

(73) Assignee: **Charcoal Companion Incorporated**, Emeryville, CA (US)

(**) Term: **14 Years**

(21) Appl. No.: **29/358,863**

(22) Filed: **Apr. 1, 2010**

Related U.S. Application Data

(63) Continuation-in-part of application No. 29/358,274, filed on Mar. 24, 2010.

(51) **LOC (9) Cl.** **07-02**

(52) **U.S. Cl.** **D7/409**

(58) **Field of Classification Search** D3/307;
D7/323, 332, 334, 338, 352-361, 393-395,
D7/402, 407-410, 456, 505, 688; D32/3;
D34/1; 99/349, 396, 400, 422, 425-426,
99/444-447, 449-450; 126/1 R, 9 A, 9 B,
126/9 R, 25 R, 39 N, 39 K, 41 R, 332; 220/573.1,
220/756

See application file for complete search history.

(56) **References Cited**

U.S. PATENT DOCUMENTS

| | | | | |
|--------------|---------|-----------------|-------|---------|
| 162,617 A * | 4/1875 | Brightman | | 220/756 |
| D271,072 S * | 10/1983 | Mjelde | | D7/505 |
| D359,879 S | 7/1995 | Fielding et al. | | |
| D389,015 S * | 1/1998 | Karroll | | D7/409 |
| D395,548 S * | 6/1998 | Morissette | | D3/307 |
| D416,165 S * | 11/1999 | Zemel | | D7/359 |
| D417,124 S * | 11/1999 | Chen | | D7/409 |
| D436,495 S * | 1/2001 | Ferrer | | D7/360 |
| D481,179 S * | 10/2003 | Wendt et al. | | D32/3 |
| D506,352 S | 6/2005 | Dow et al. | | |
| D522,807 S | 6/2006 | Dow et al. | | |

| | | | | |
|-------------------|---------|-----------------|-------|---------|
| 7,340,994 B2 * | 3/2008 | Bruno et al. | | 99/450 |
| D588,399 S * | 3/2009 | Vrbaneck | | D7/359 |
| D608,146 S * | 1/2010 | Zemel | | D7/409 |
| D615,721 S * | 5/2010 | Martin et al. | | D34/1 |
| 2006/0057267 A1 | 3/2006 | Dow et al. | | |
| 2006/0219233 A1 * | 10/2006 | Sorenson et al. | | 126/9 R |

OTHER PUBLICATIONS

The Companion Group, Charcoal Companion Superior Barbeque Tools and Accessories 2004 Product Catalog, p. 39, Oakland, CA.

The Companion Group, Charcoal Companion 2002 Catalog, 2001, p. 13, Hong Kong.

(Continued)

Primary Examiner—Stella M Reid

Assistant Examiner—Ricky Pham

(74) *Attorney, Agent, or Firm*—Beeson Skinner Beverly

(57) **CLAIM**

The ornamental design for a grilling wok, as shown and described.

DESCRIPTION

FIG. 1 is a top perspective view of a grilling wok showing our new design;

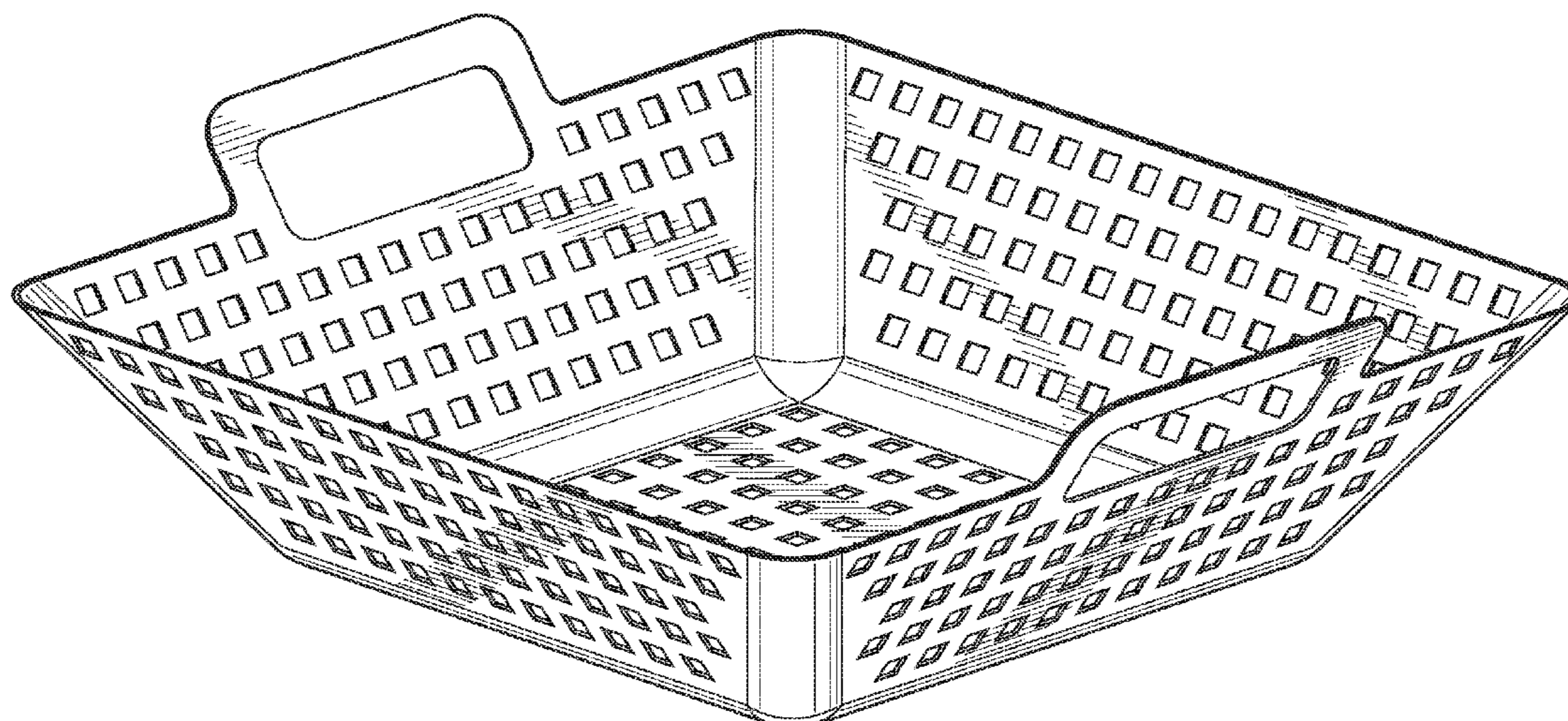
FIG. 2 is a front end elevational view thereof, the rear end being a mirror image;

FIG. 3 is an left side elevational view thereof, the right side being a mirror image;

FIG. 4 is a top plan view thereof; and,

FIG. 5 is a bottom plan view thereof.

1 Claim, 3 Drawing Sheets



OTHER PUBLICATIONS

Charcoal Companion, Inc., Charcoal Companion Barbeque Tools and Kitchen Accessories Catalog, 1992, pp. 20-21, Oakland, CA.

The Companion Group, Charcoal Companion Superior Barbeque Tools and Accessories Catalog, 2003, pp. 1 and 4, Oakland, CA.

The Companion Group, Charcoal Companion 2005 Product Catalog, 2004, p. 24, Oakland, CA.

The Companion Group, Steven Raichlen Best of Barbeque 2006 Product Catalog, pp. 19 and 25, Emeryville, CA.

The Companion Group, Charcoal Companion Superior Barbeque Tools and Accessories Essentials for Grilling 2006 Product Catalog, pp. 26-27, Emeryville, CA.

* cited by examiner

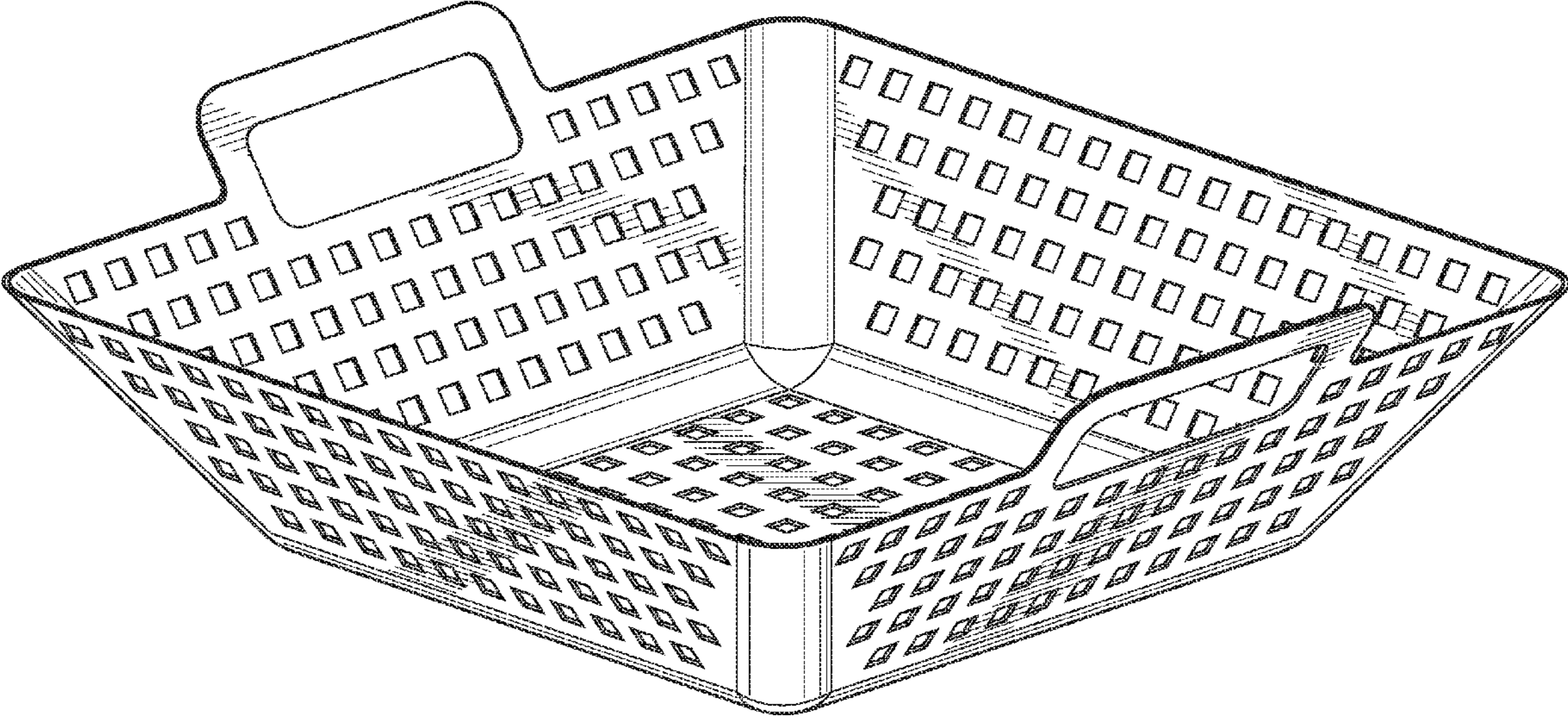


FIG. 1

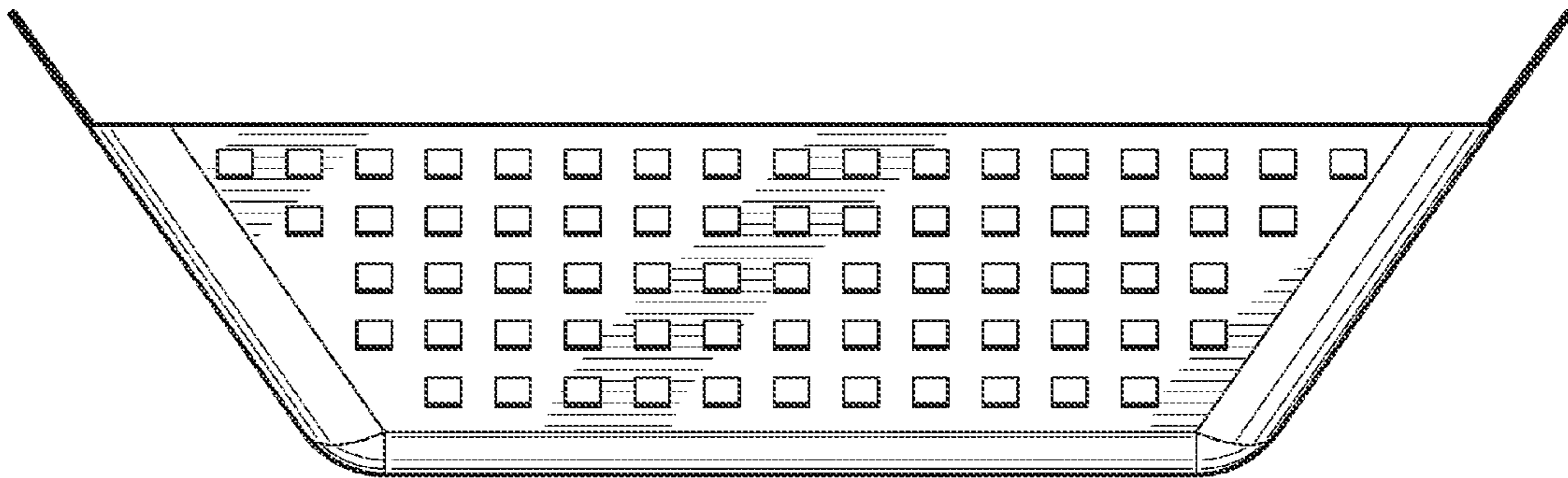


FIG. 2

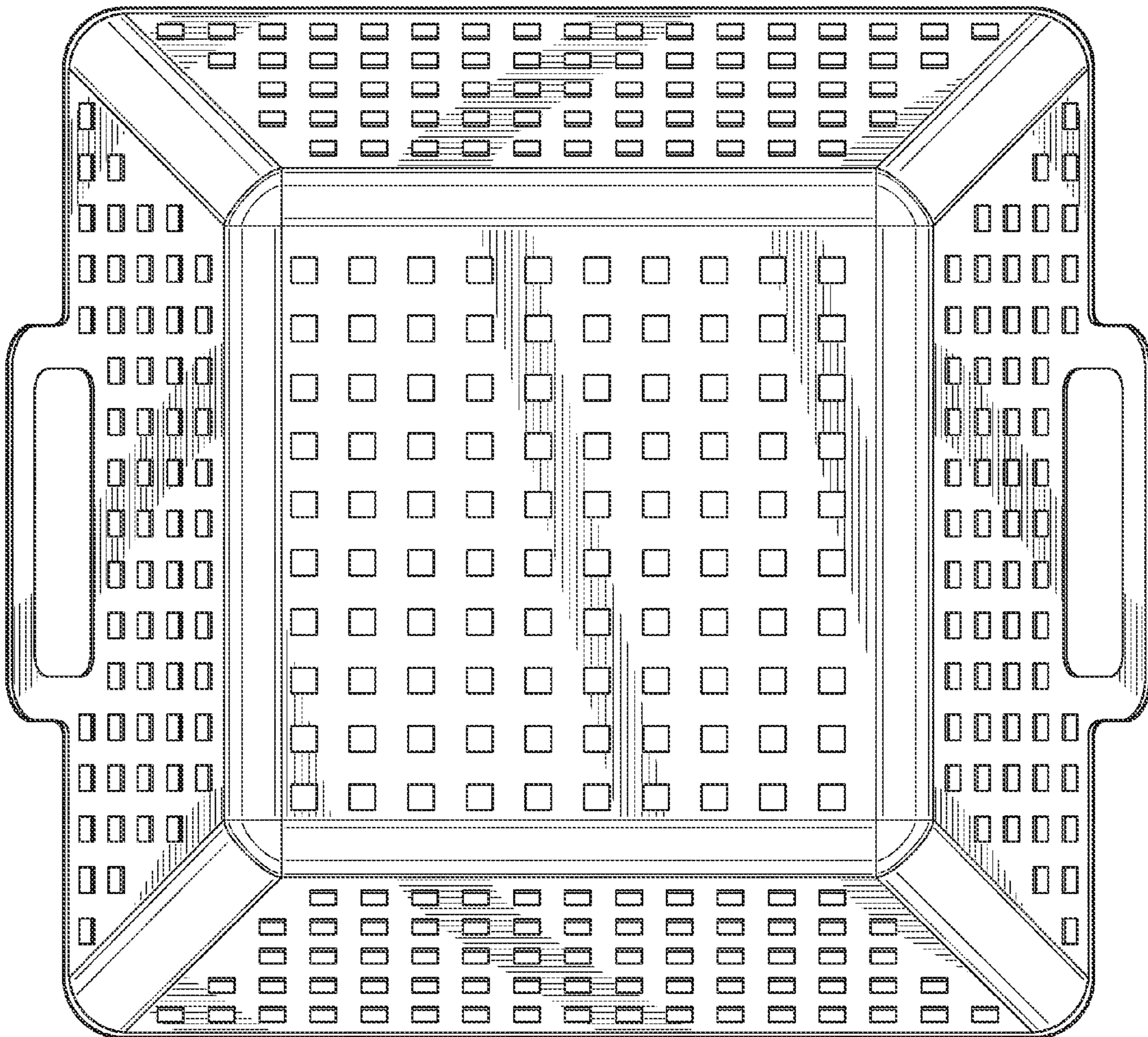


FIG. 4

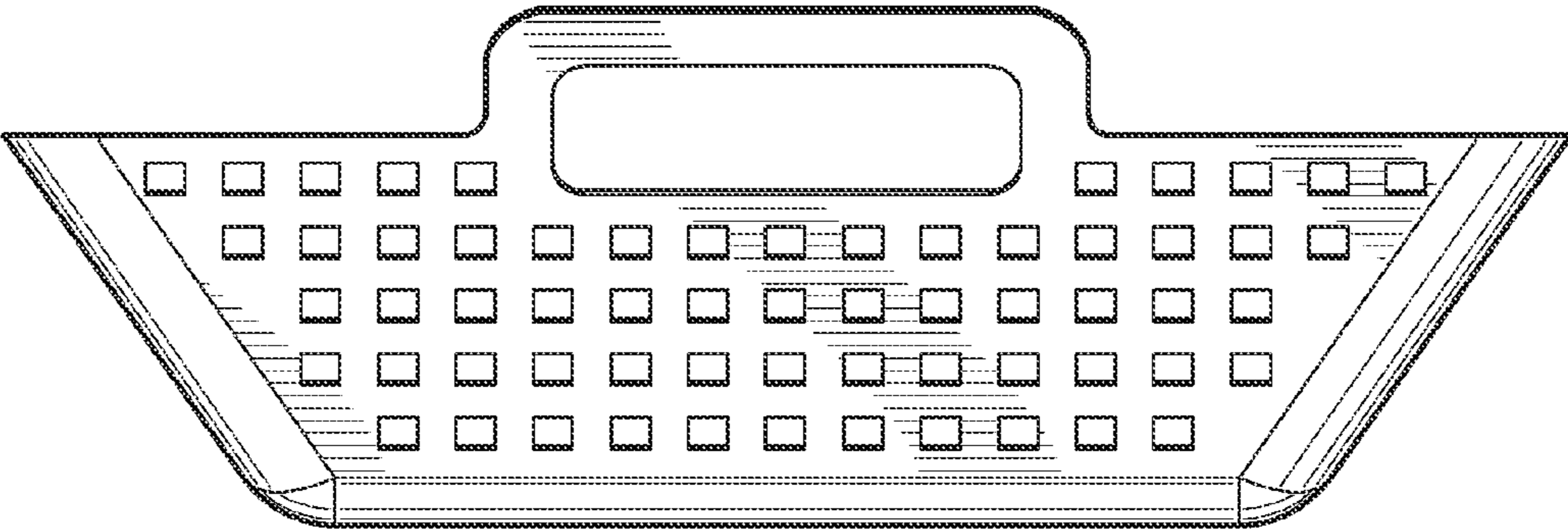


FIG. 3

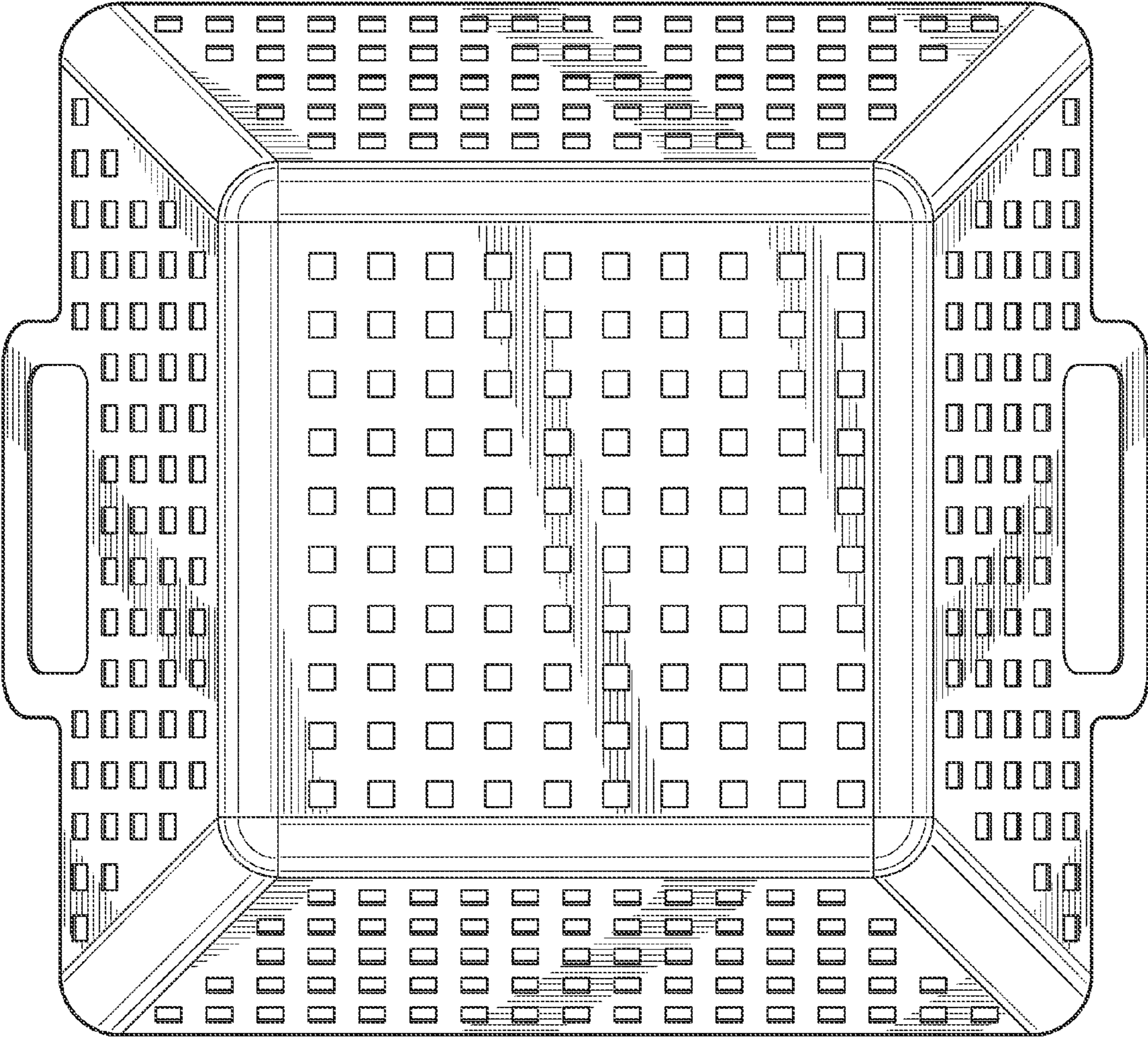


FIG. 5