



US00D624786S

(12) **United States Design Patent**  
**Frank et al.**

(10) **Patent No.:** **US D624,786 S**

(45) **Date of Patent:** **\*\* Oct. 5, 2010**

(54) **TEA PRESS**

(75) Inventors: **Matthew Frank**, Seattle, WA (US); **Ted Hurtado**, Seattle, WA (US)

(73) Assignee: **ICI USA LLC**, Seattle, WA (US)

(\*\*) Term: **14 Years**

(21) Appl. No.: **29/327,636**

(22) Filed: **Nov. 10, 2008**

(51) **LOC (9) Cl.** ..... **07-01**

(52) **U.S. Cl.** ..... **D7/400; D7/399; D7/667**

(58) **Field of Classification Search** ..... D7/400,  
D7/399, 309, 665, 510, 511, 667; 99/297,  
99/287, 317, 285, 323; 426/435

See application file for complete search history.

(56) **References Cited**

**U.S. PATENT DOCUMENTS**

2,893,331	A *	7/1959	Medlock	.....	366/267
D272,308	S *	1/1984	Schlessel	.....	D7/400
4,643,981	A *	2/1987	Card	.....	436/500
5,461,968	A *	10/1995	Portman	.....	99/287
D375,024	S *	10/1996	Pursley	.....	D7/665
5,635,233	A *	6/1997	Levinson	.....	426/433
D409,045	S *	5/1999	Brady	.....	D7/397
5,996,473	A *	12/1999	Milone	.....	99/323
6,186,052	B1 *	2/2001	Huang	.....	99/297
D447,911	S *	9/2001	Jørgensen	.....	D7/400
6,324,966	B1 *	12/2001	Joergensen	.....	99/297
6,481,337	B1 *	11/2002	Guu	.....	99/285
6,684,756	B2 *	2/2004	Kerr	.....	99/297
6,901,847	B1 *	6/2005	Shen	.....	99/323

7,073,428	B2 *	7/2006	Chung et al.	.....	99/283
7,337,705	B1 *	3/2008	Catena et al.	.....	99/297
D571,610	S *	6/2008	Bodum	.....	D7/399
7,389,720	B2 *	6/2008	Haverstock	.....	99/297
D573,396	S *	7/2008	Gauss	.....	D7/319
D575,105	S *	8/2008	Gauss	.....	D7/399
D613,114	S *	4/2010	Hewitt	.....	D7/400

\* cited by examiner

*Primary Examiner*—Marianne Pandozzi

(74) *Attorney, Agent, or Firm*—Priya Sinha Cloutier

(57) **CLAIM**

The ornamental design for a tea press, as shown and described.

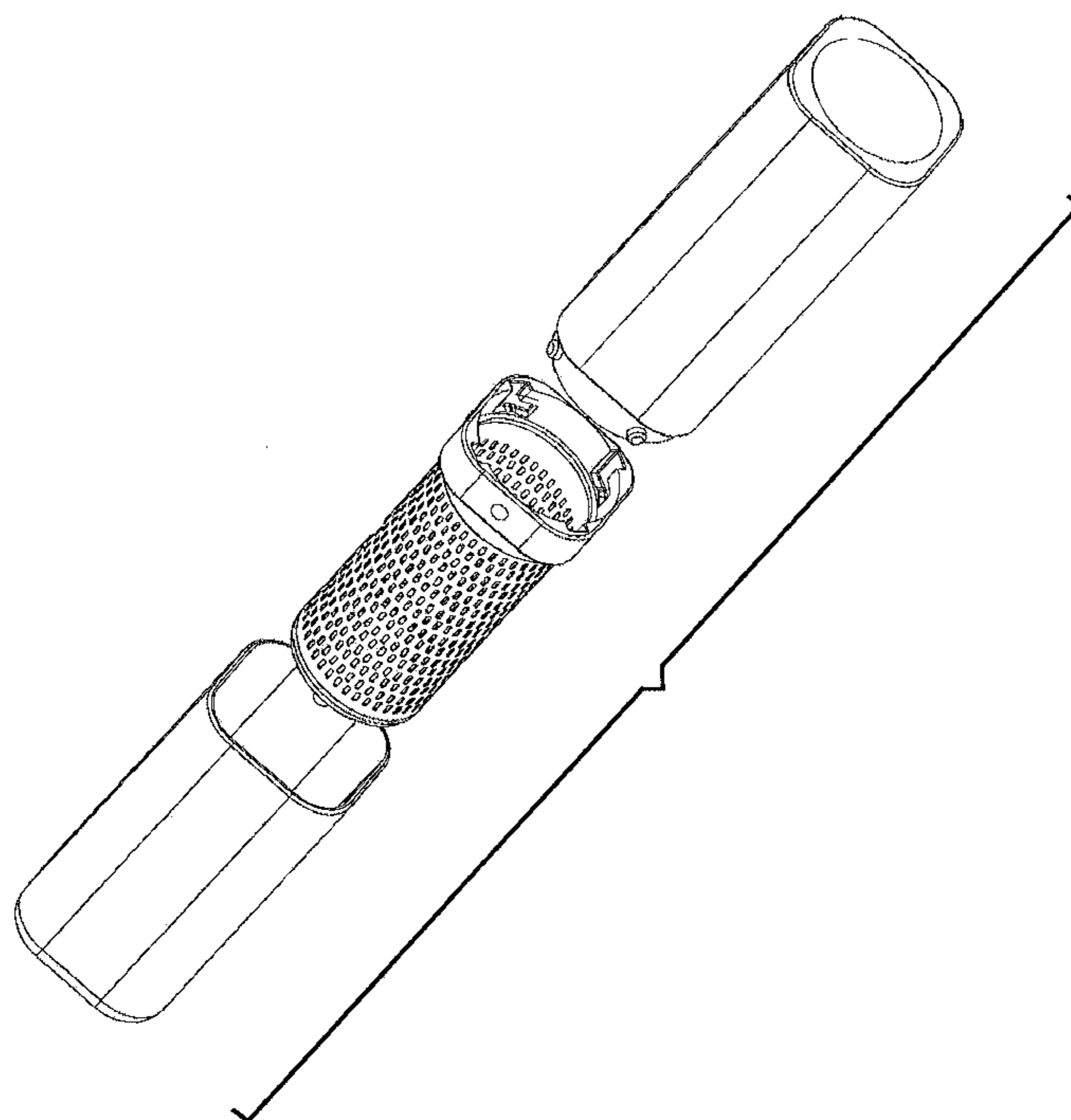
**DESCRIPTION**

FIG. 1 is a perspective view of a tea press showing our new design in its closed position where the bottom portion is a drip sheath, and the infuser, shown in FIGS. 2 and 3, mates with the drip sheath and the plunger mates with the infuser;

FIG. 2 is a side elevational view of a tea press in its open position where the drip sheath has been removed for ease of illustration and the plunger has been unmated with the infuser to its extended position;

FIG. 3 is an exploded perspective view of the tea press showing the drip sheath, the infuser, and the barrel, with the plunger, syringe and cap removed for ease of illustration; and, FIG. 4 is an exploded perspective view of a tea press showing the syringe and cap with the rest of the parts removed for ease of illustration.

**1 Claim, 4 Drawing Sheets**



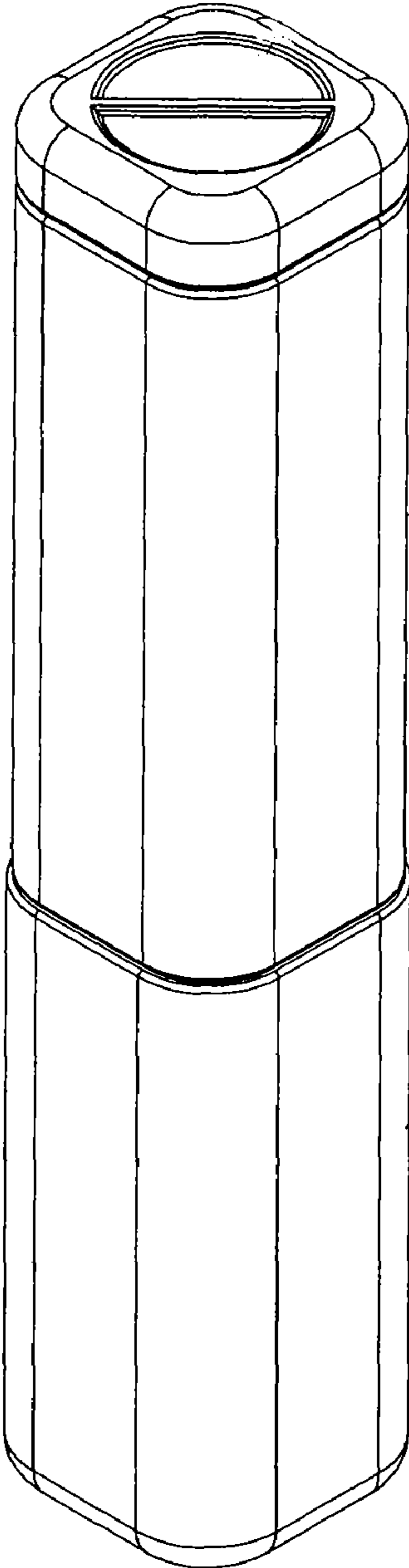


Fig.1

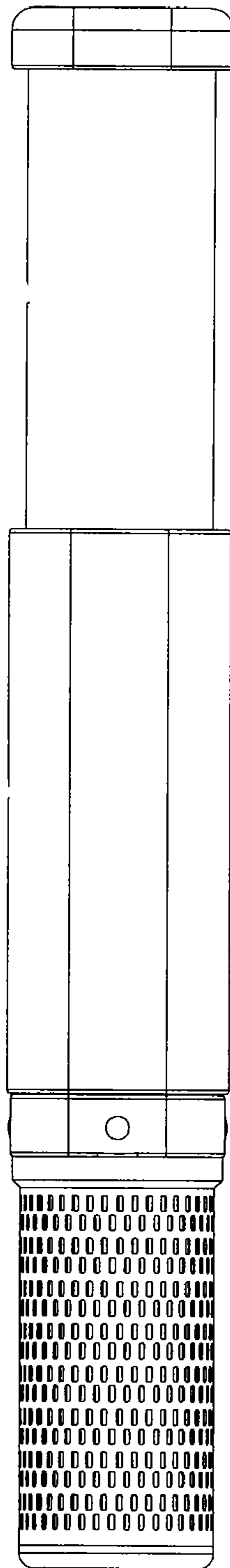


Fig.2

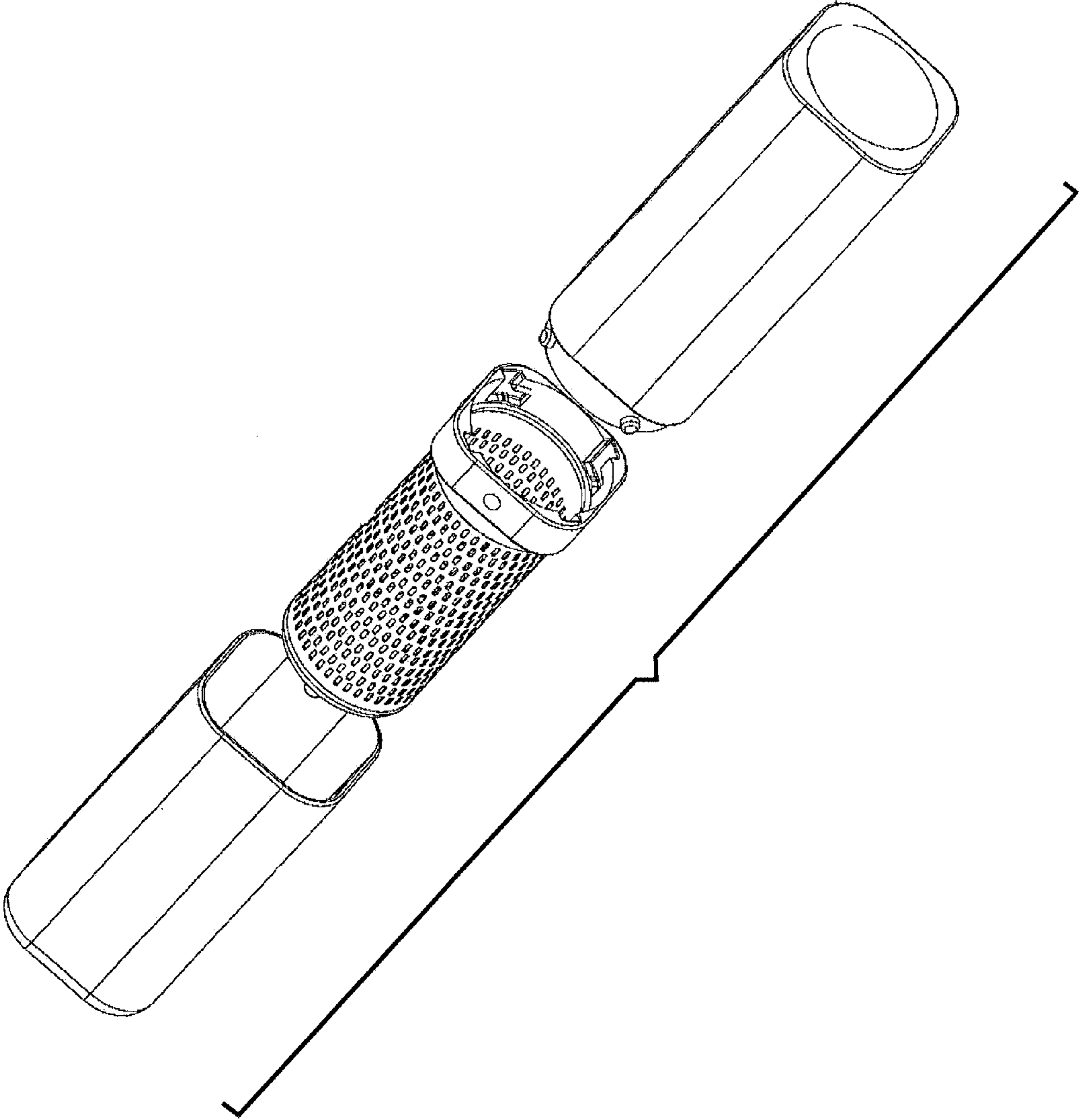


Fig.3

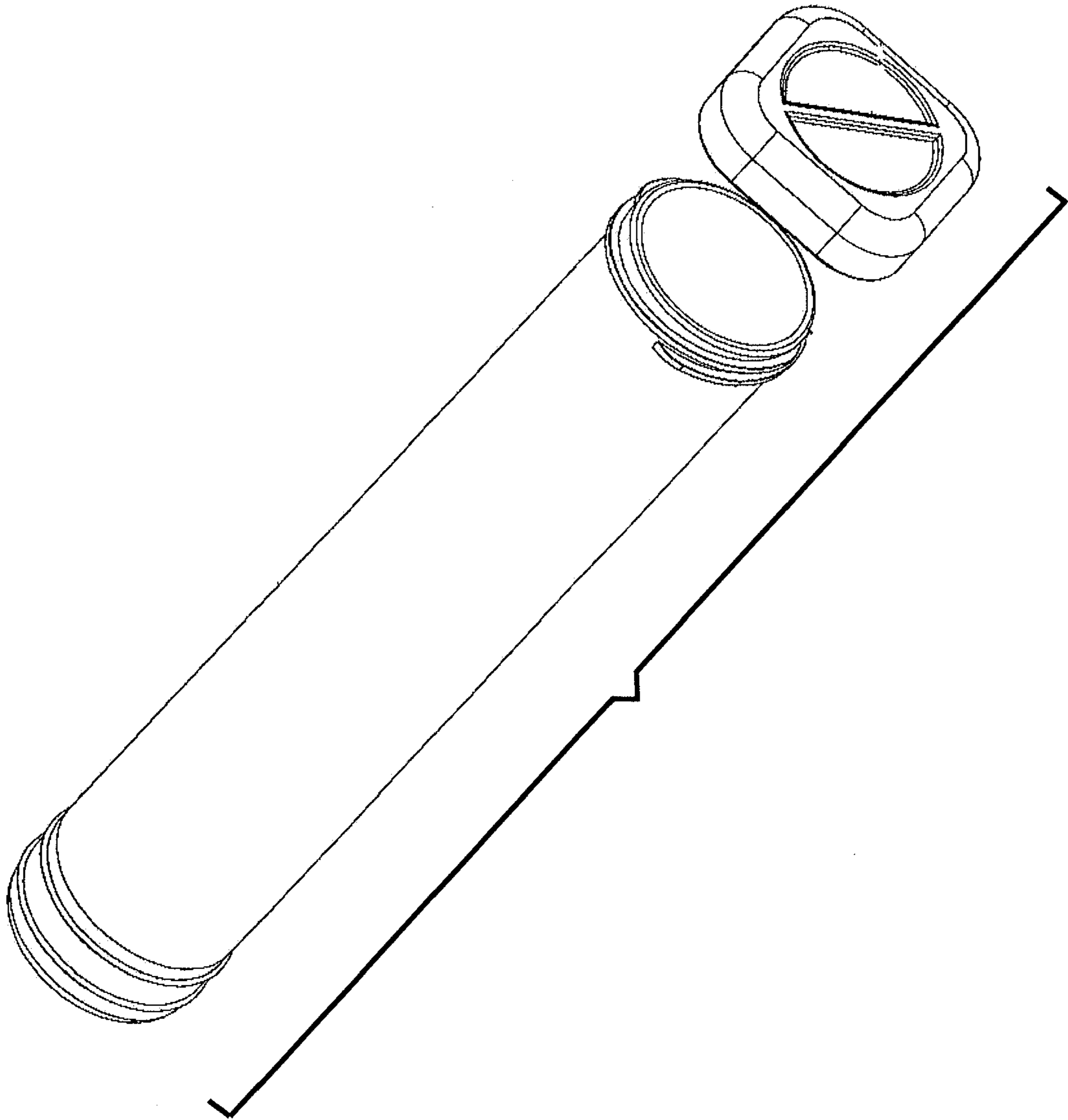


Fig.4