



US00D624784S

(12) **United States Design Patent**
Bodum

(10) **Patent No.:** **US D624,784 S**

(45) **Date of Patent:** **** Oct. 5, 2010**

(54) **LID**
(75) **Inventor:** **Jørgen Bodum**, Meggen (CH)
(73) **Assignee:** **PI-Design AG**, Triengen (CH)
(**) **Term:** **14 Years**

D288,767 S * 3/1987 Minuti D7/542
D340,614 S * 10/1993 Kaeding D7/360
D414,982 S * 10/1999 Hopkins et al. D7/362
D423,281 S * 4/2000 Mosionzhnik D7/391
D609,961 S * 2/2010 Bodum D7/354

* cited by examiner

Primary Examiner—Caron D. Veynar

Assistant Examiner—Ricky Pham

(74) *Attorney, Agent, or Firm*—Cowan, Liebowitz & Latman, P.C.

(21) **Appl. No.:** **29/352,110**
(22) **Filed:** **Dec. 16, 2009**

(30) **Foreign Application Priority Data**

Jun. 25, 2009 (DK) DA 2009 00097

(57) **CLAIM**

The ornamental design for a lid, as shown and described.

(51) **LOC (9) Cl.** **07-02**
(52) **U.S. Cl.** **D7/391**
(58) **Field of Classification Search** D7/323,
D7/338, 352–363, 391–395, 402, 407–410,
D7/456, 538, 542, 546, 554.1, 688; D9/424–435,
D9/760–761; 99/340, 343, 349, 396, 400–402,
99/422, 425–426, 444–447, 449–450; 126/1 R,
126/9 A, 9 B, 25 A, 25 R, 39 N, 39 K, 41 R,
126/332, 390.1; 220/377, 573.1–573.3, 608,
220/752–753, 755–759, 912

DESCRIPTION

FIG. 1 is a perspective view of the lid showing my design thereof;

FIG. 2 is a front view thereof;

FIG. 3 is a back view thereof;

FIG. 4 is a right side view thereof;

FIG. 5 is a left side view thereof;

FIG. 6 is a top view thereof;

FIG. 7 is a bottom view thereof;

FIG. 8 is a sectional view thereof taken along line 8–8 of FIG. 6; and,

FIG. 9 is a perspective view thereof being used with a roasting pan.

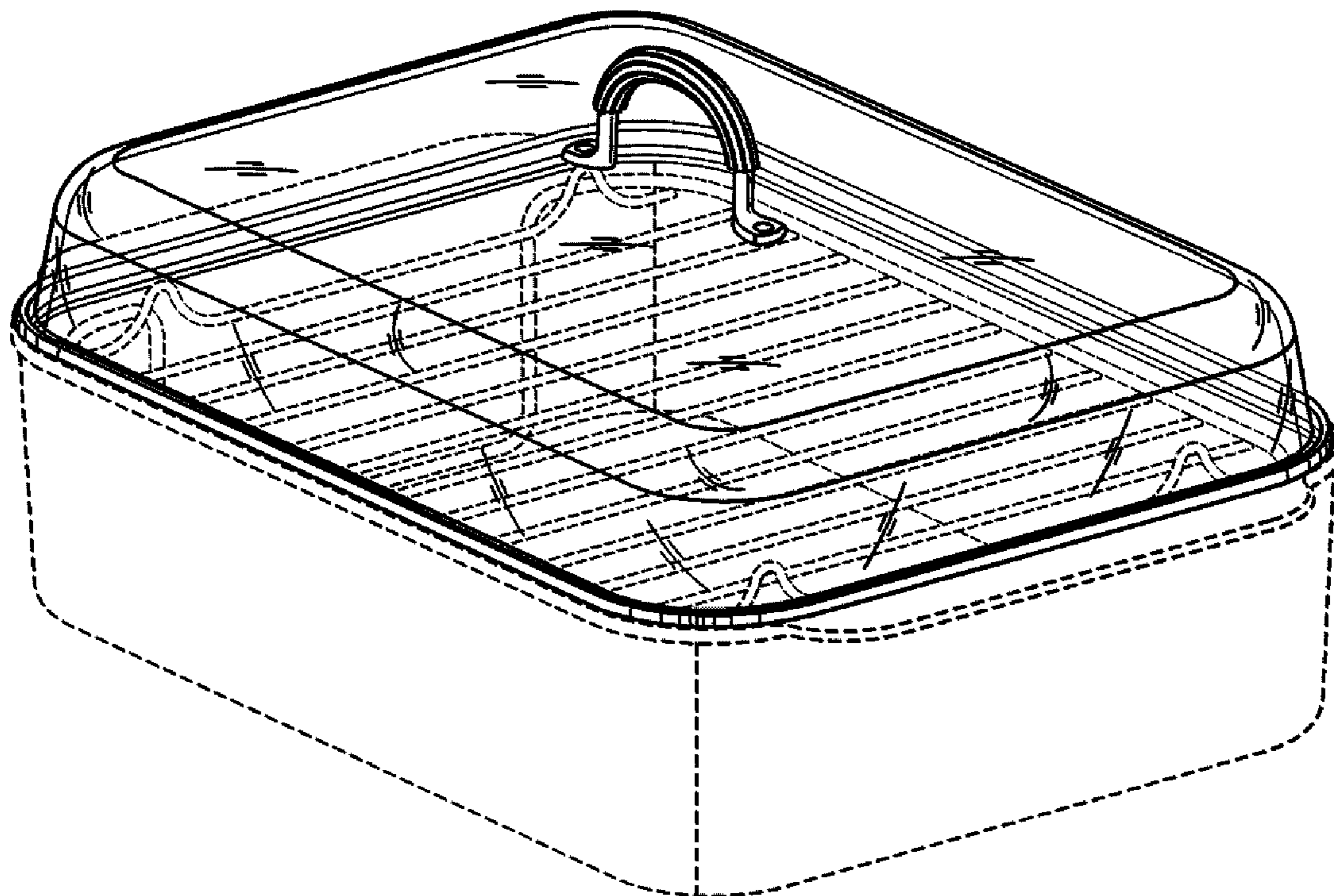
See application file for complete search history.

(56) **References Cited**

U.S. PATENT DOCUMENTS

D16,060 S * 4/1885 Haviland D7/538
D121,575 S * 7/1940 Russell D7/391
D146,832 S * 5/1947 O'Connell D7/355
D168,905 S * 2/1953 O'Connell D7/355

1 Claim, 9 Drawing Sheets



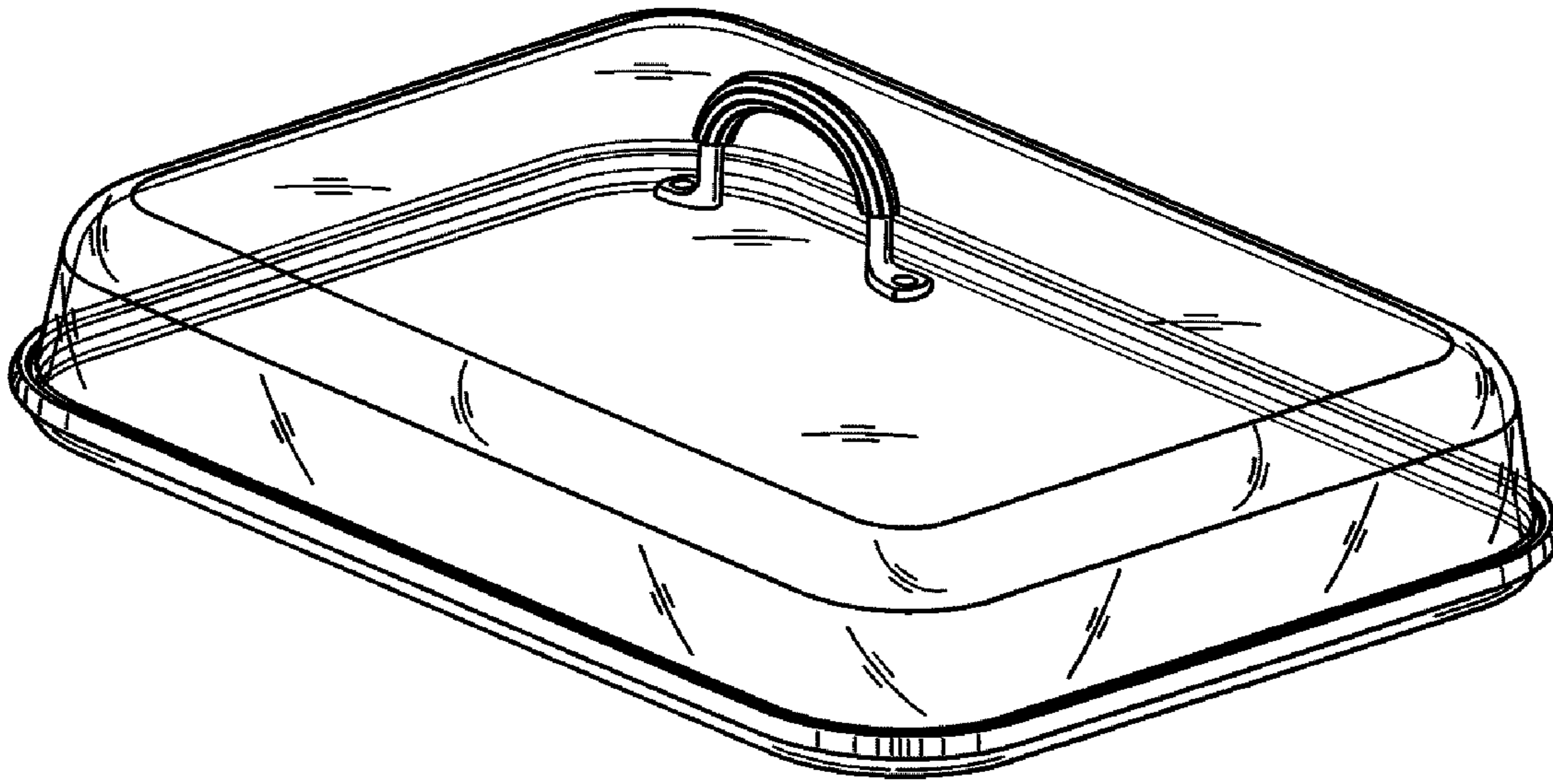


FIG. 1

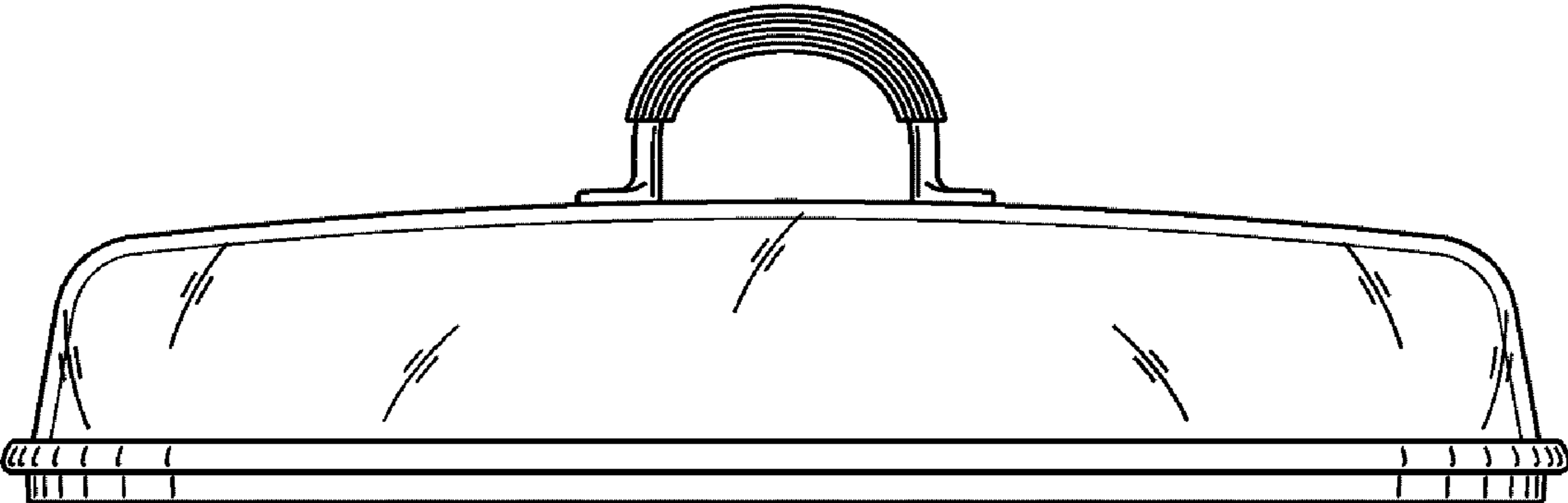


FIG. 2

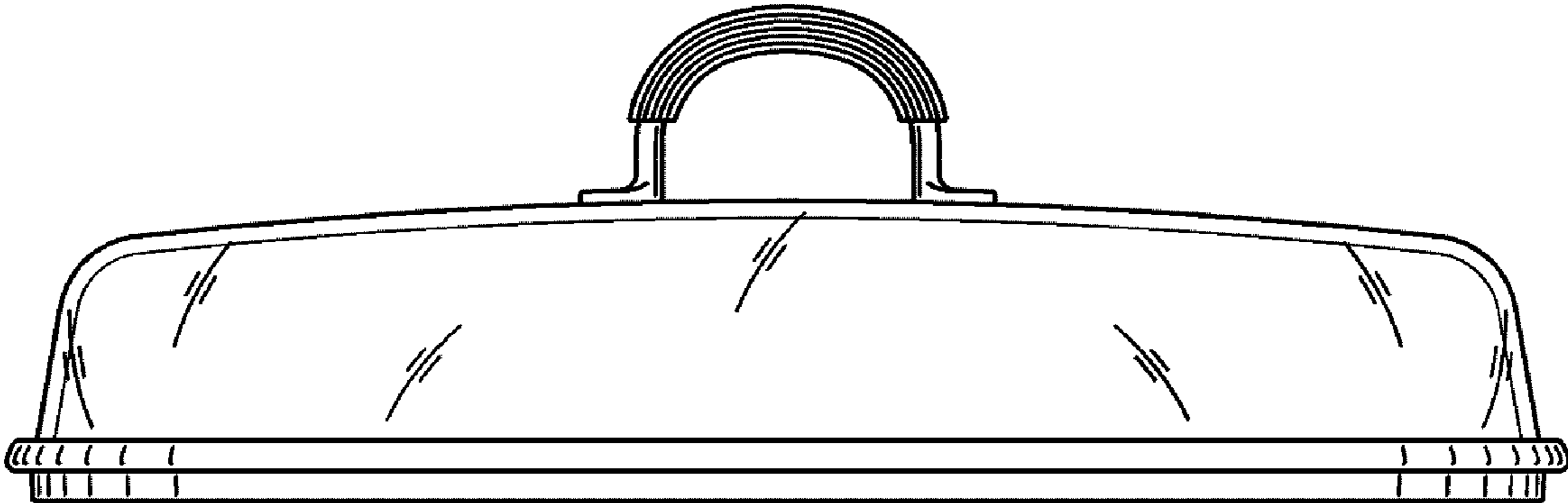


FIG. 3

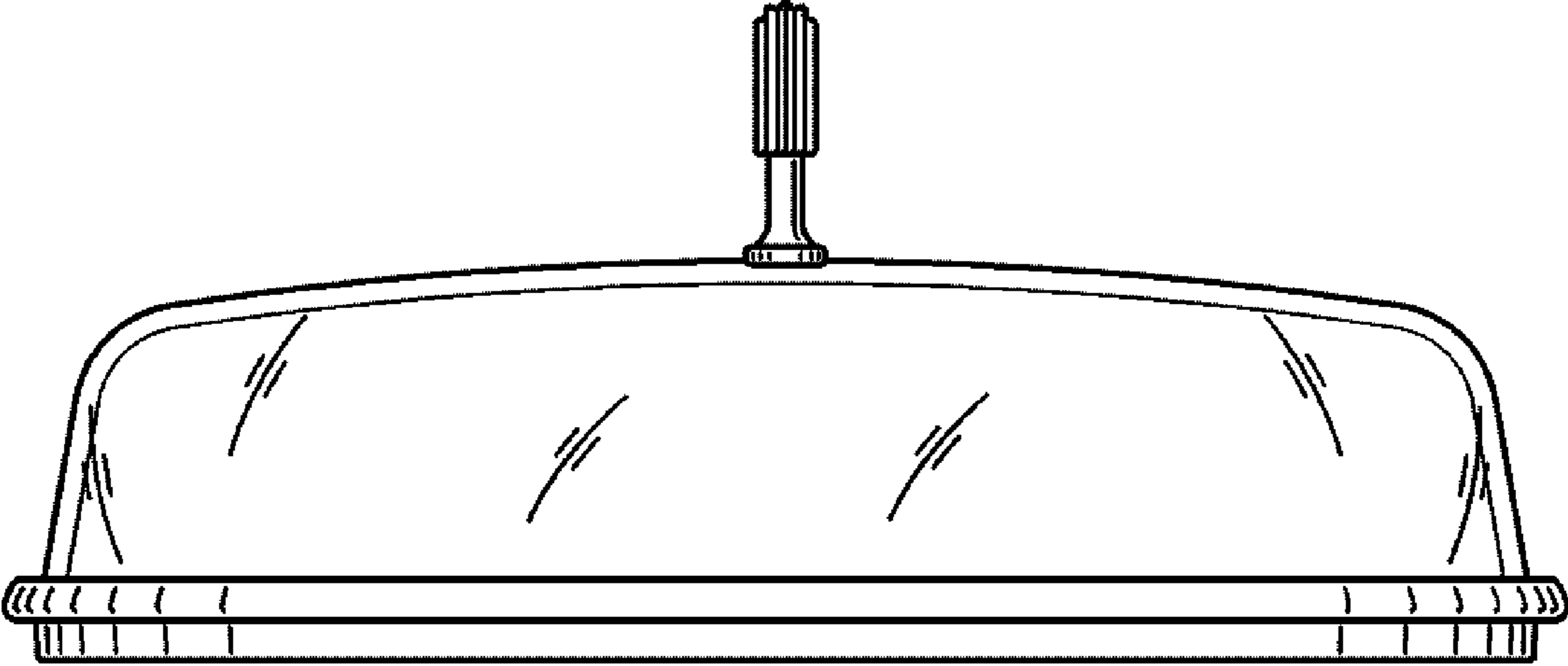


FIG. 4

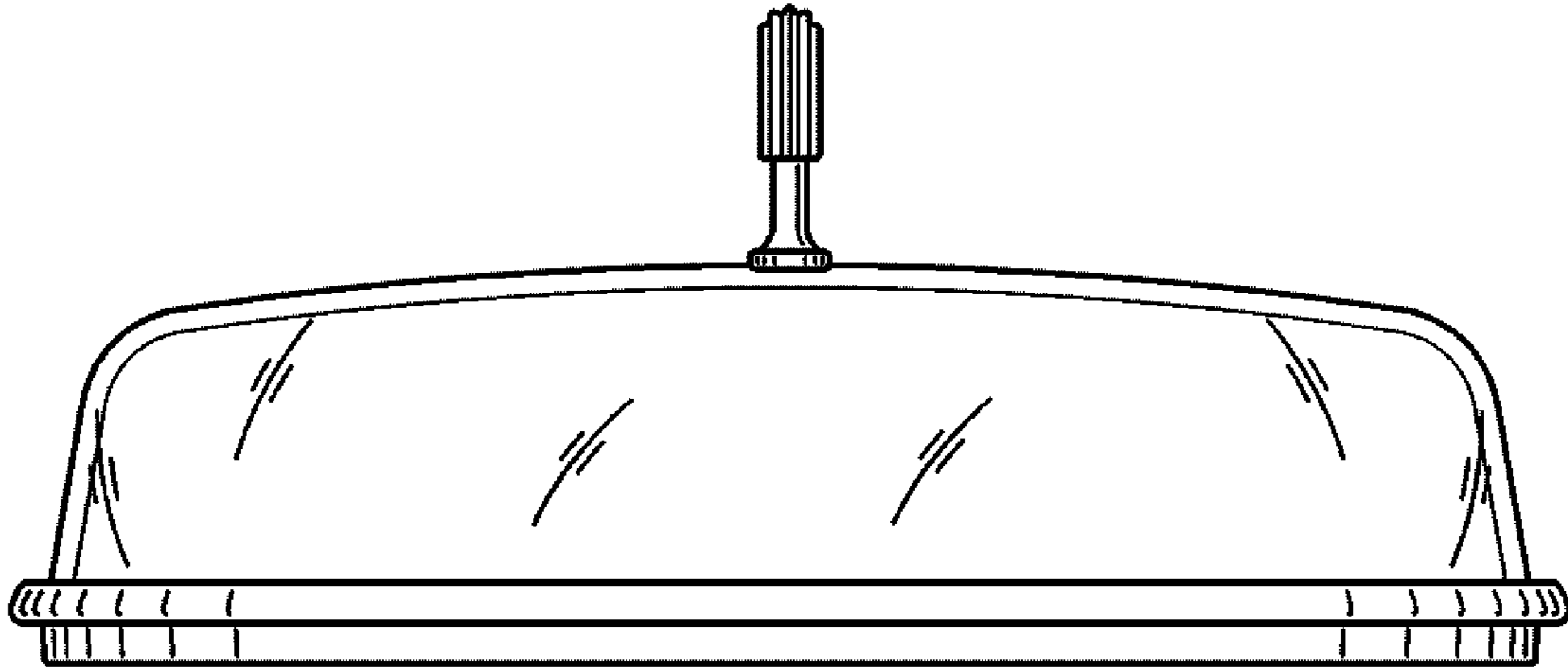


FIG. 5

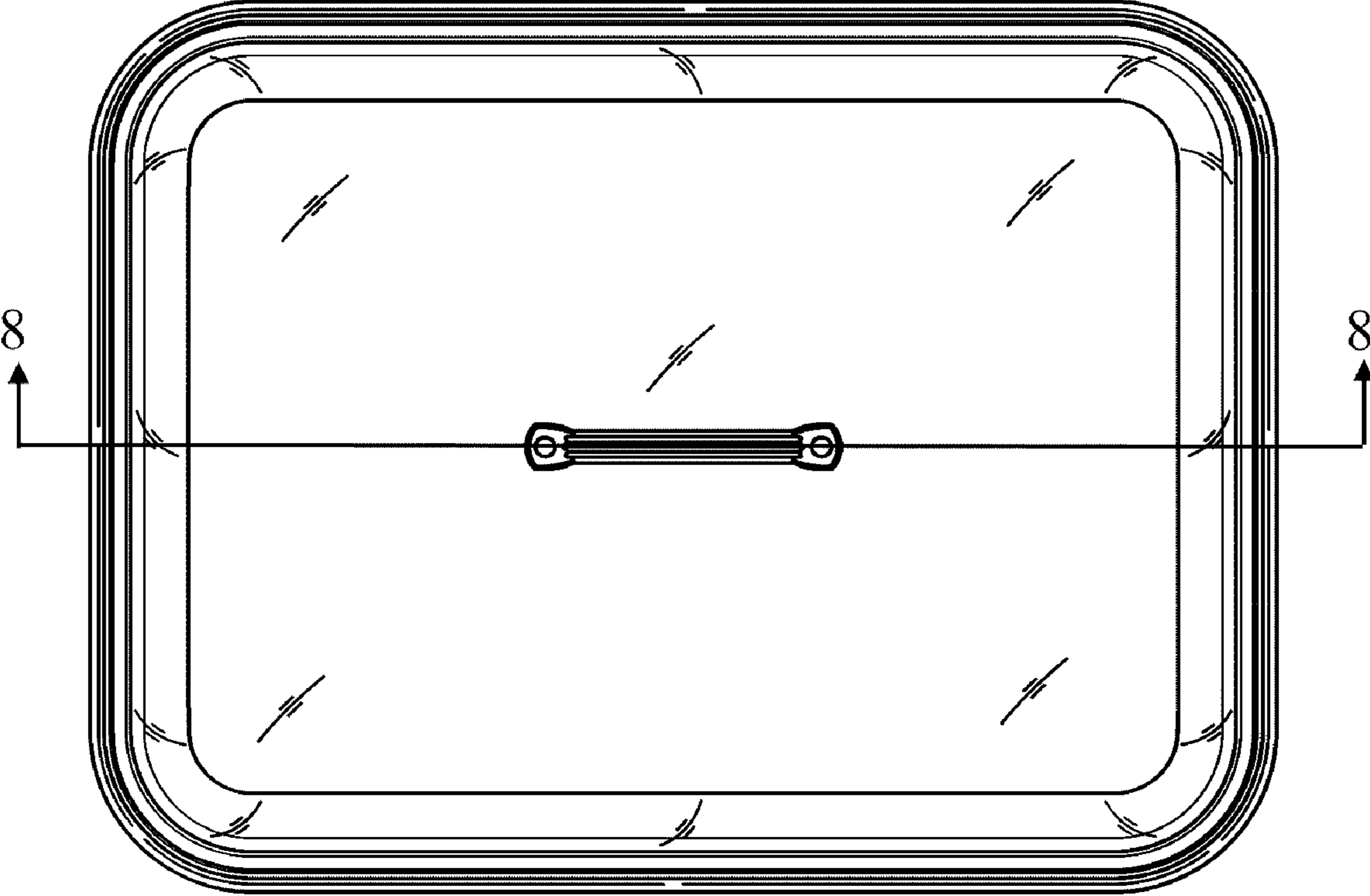


FIG. 6

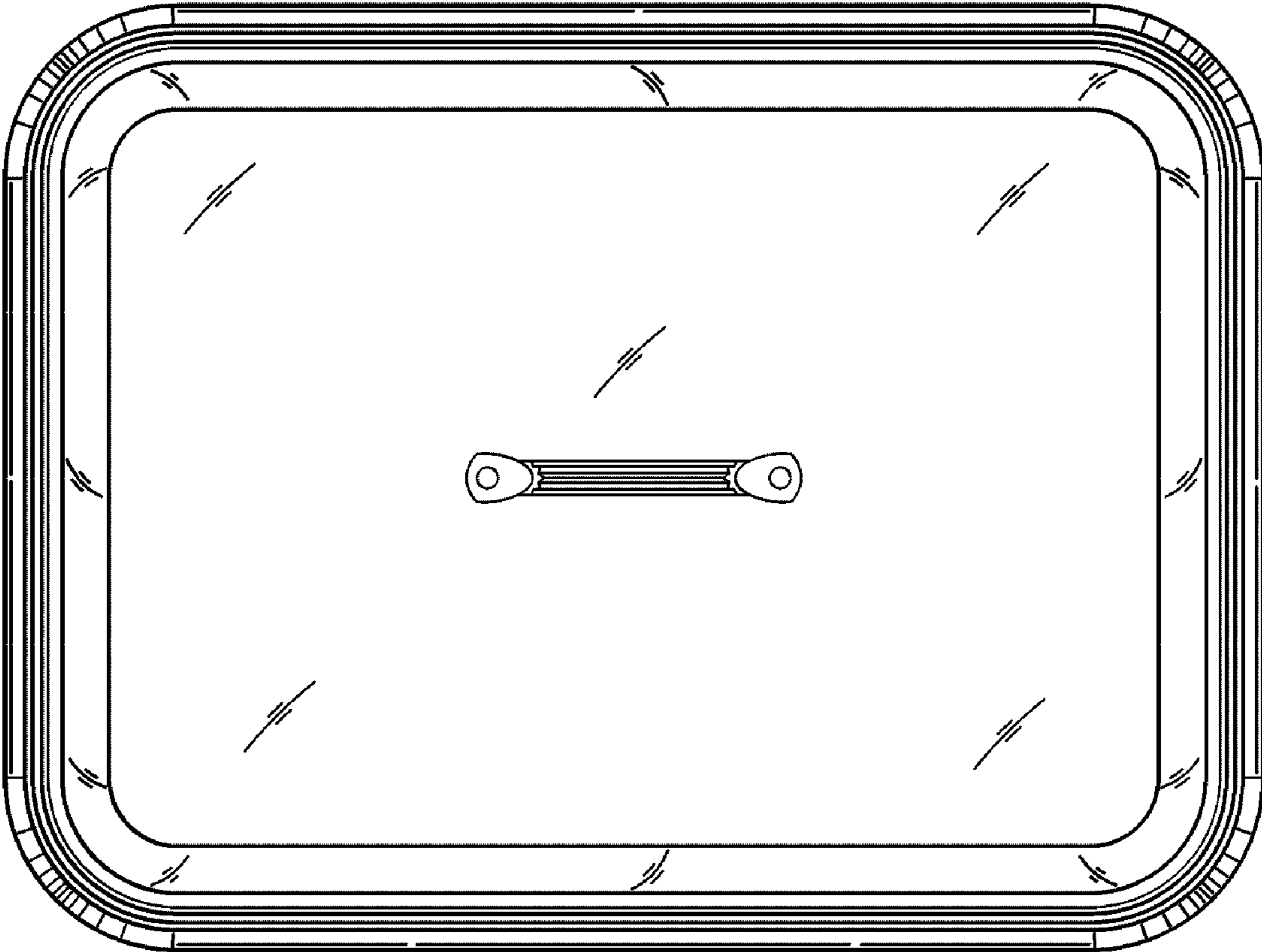


FIG. 7

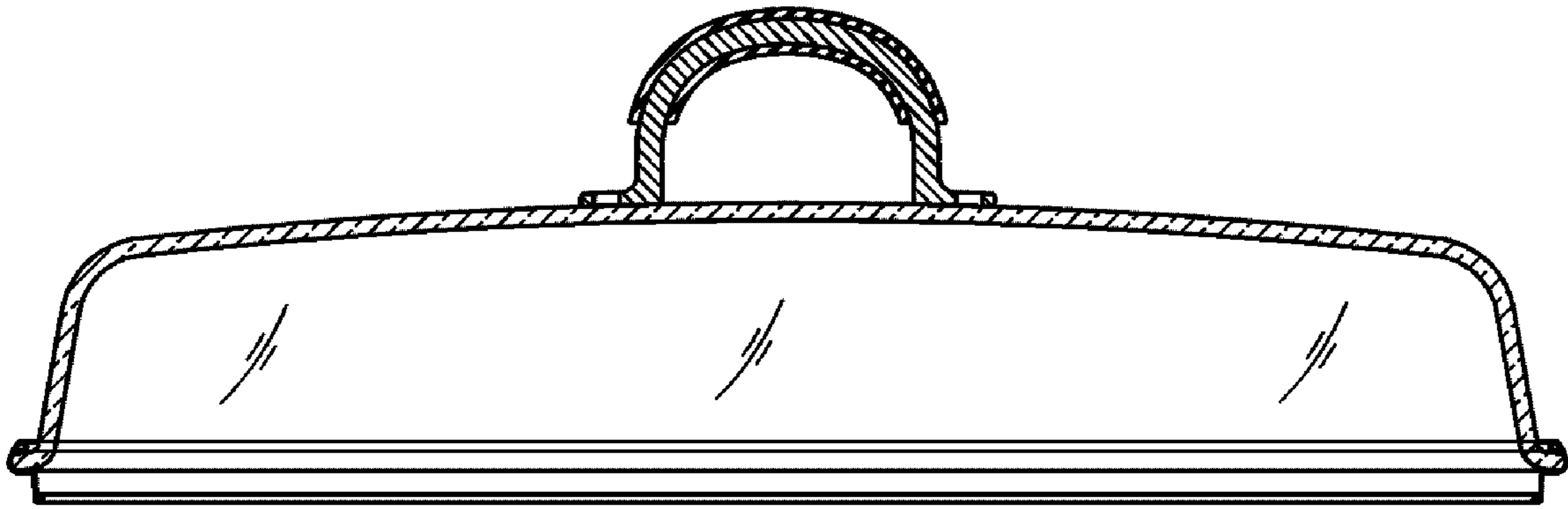


FIG. 8

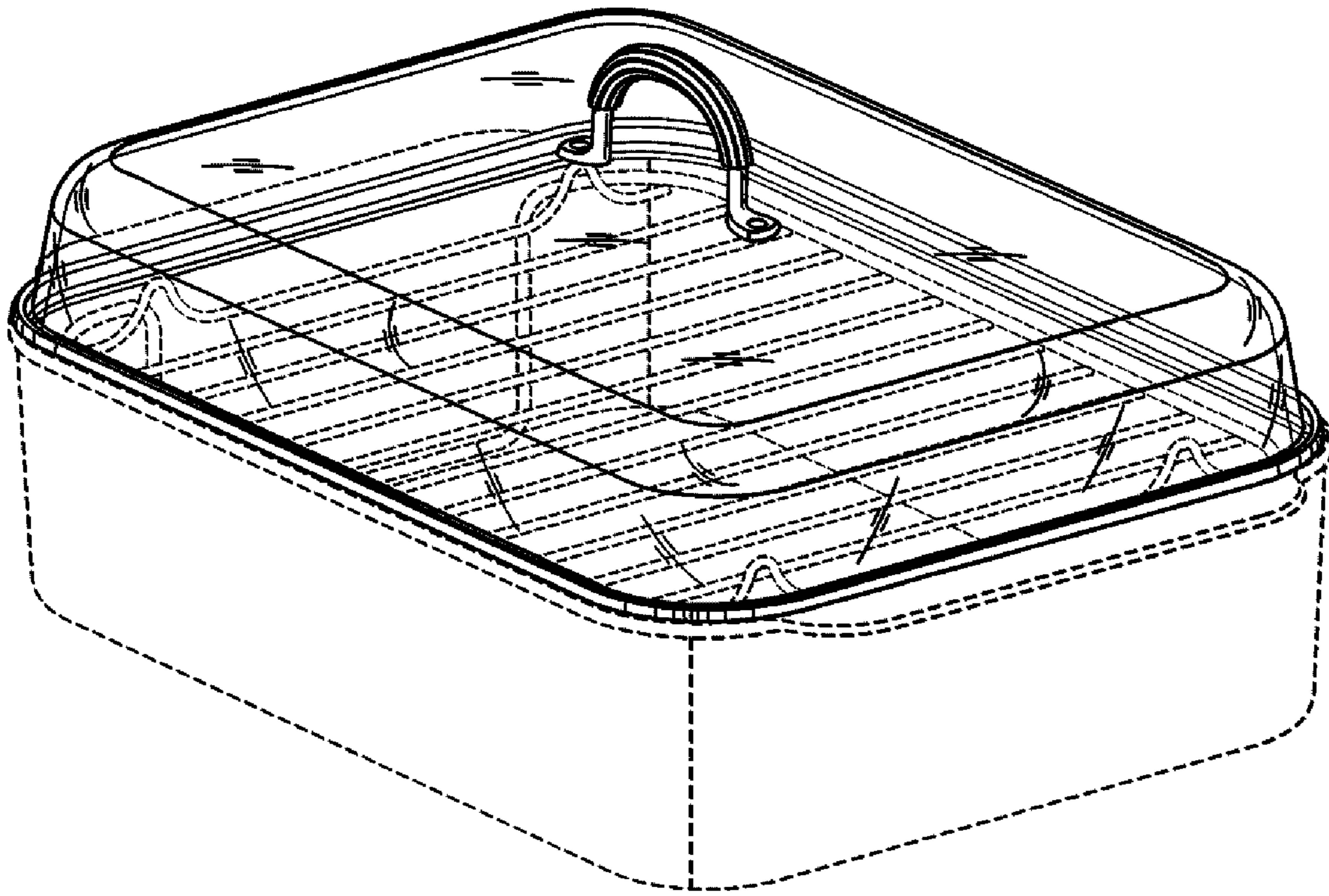


FIG. 9