

US00D624781S

(12) **United States Design Patent**
Allen et al.

(10) **Patent No.:** **US D624,781 S**
(45) **Date of Patent:** **** Oct. 5, 2010**

- (54) **GRILL**
 - (75) Inventors: **James C. Allen**, Chicago, IL (US);
Graham Allen, Winnetka, IL (US);
Charles S. Allen, Sr., Kenilworth, IL (US);
Charles S. Allen, Jr., Northfield, IL (US)
 - (73) Assignee: **Sloan Valve Company**, Franklin Park, IL (US)
 - (**) Term: **14 Years**
 - (21) Appl. No.: **29/352,050**
 - (22) Filed: **Dec. 15, 2009**
 - (51) **LOC (9) Cl.** **07-02**
 - (52) **U.S. Cl.** **D7/332**
 - (58) **Field of Classification Search** D7/332,
D7/334-336, 402-404, 408; 126/25 R, 25 A,
126/25 AA, 41 R, 29-30, 9 R, 9 B, 38, 37 R,
126/40, 50, 519; 99/359, 344, 446-449,
99/473, 481-482, 419, 421 HV, 421 R, 421 H;
D6/486; 108/50.13
- See application file for complete search history.

(56) **References Cited**
U.S. PATENT DOCUMENTS

1,582,346 A	4/1926	Oster	
D91,639 S	2/1934	Stulik	
2,094,915 A	2/1936	Dawson	
D131,939 S	* 4/1942	Robinson D7/332
D186,967 S	12/1959	Webster et al.	
3,221,137 A	11/1965	Madden	
3,277,881 A	10/1966	Bruns	
3,327,697 A	6/1967	Berlant	
3,327,698 A	6/1967	Leslie	
3,474,725 A	10/1969	McClaren	
3,491,744 A	* 1/1970	Von Kohorn, Jr. et al.	. 126/25 R
3,581,731 A	6/1971	Schulze	
3,617,693 A	11/1971	Shimosawa	
3,745,303 A	7/1973	Epperson et al.	
D233,499 S	11/1974	Sakata	

D253,931 S	1/1980	DeVischer et al.	
D274,686 S	7/1984	Ambler	
D286,002 S	* 10/1986	Brix D7/332
4,624,238 A	11/1986	Hait	
4,635,614 A	1/1987	Segroves	
4,759,276 A	7/1988	Segroves	
4,762,114 A	8/1988	Blankemeyer	
4,788,905 A	12/1988	Von Kohorn	
4,840,128 A	6/1989	McFarlane et al.	
4,884,551 A	12/1989	Hait	
D331,851 S	12/1992	Bennett	
5,168,796 A	12/1992	Porton et al.	
5,183,027 A	* 2/1993	Saldana 126/25 R
D350,045 S	8/1994	Stuart	
5,435,510 A	7/1995	Wey	
D361,467 S	8/1995	Kabayama	
D387,608 S	12/1997	Kelly et al.	
D389,009 S	* 1/1998	Baykal D7/335
D394,779 S	* 6/1998	Hilvitz D7/335
5,775,315 A	* 7/1998	Baykal 126/25 R
5,778,800 A	7/1998	Liang	

(Continued)

Primary Examiner—Ruth McInroy
(74) *Attorney, Agent, or Firm*—Foley & Lardner LLP

(57) **CLAIM**

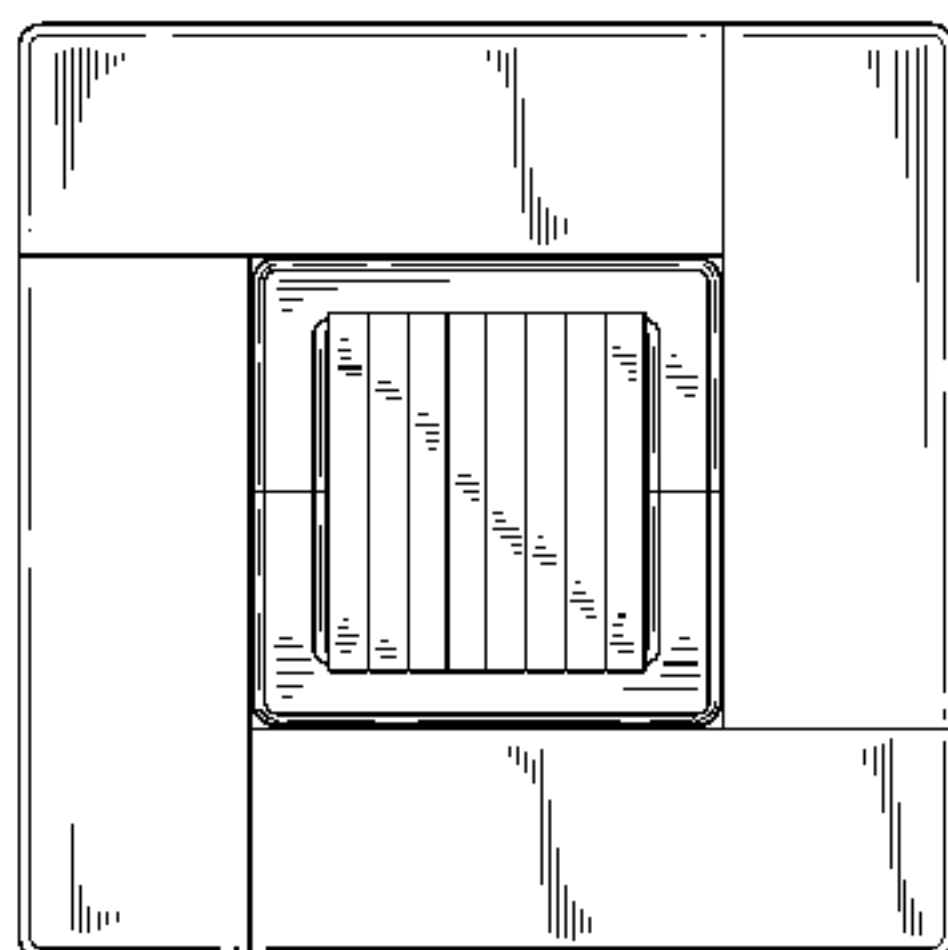
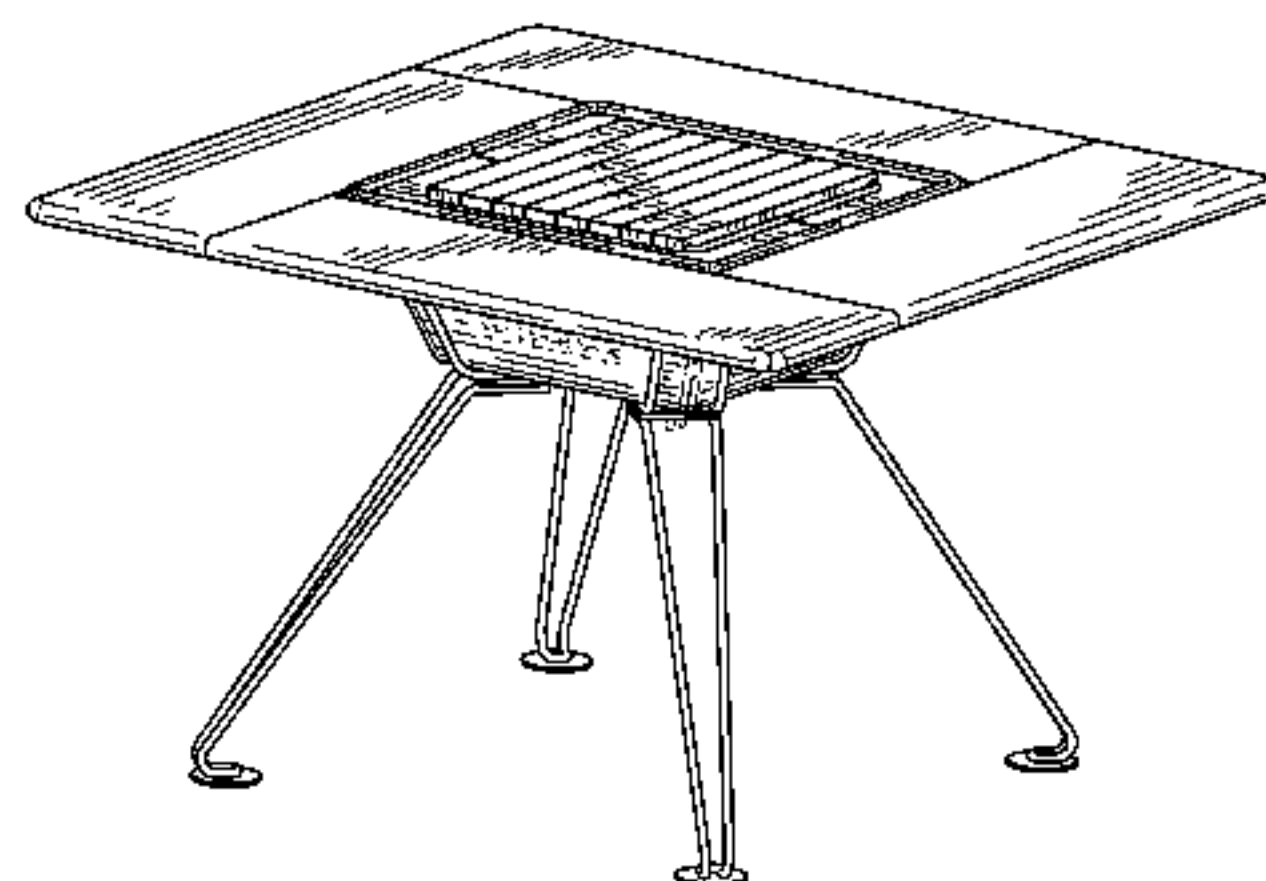
We claim the ornamental design for a grill, as shown and described.

DESCRIPTION

FIG. 1 is a perspective view of a grill showing our new design;
FIG. 2 is a top view thereof;
FIG. 3 is a left side view thereof;
FIG. 4 is a back view thereof;
FIG. 5 is right side view thereof;
FIG. 6 is a front view thereof; and,
FIG. 7 is a bottom view thereof.

The broken lines shown are for illustrative purposes only and form no part of the claimed design.

1 Claim, 5 Drawing Sheets



US D624,781 S

Page 2

U.S. PATENT DOCUMENTS					
5,782,172	A	7/1998 Schacht	D484,335	S	12/2003 Murphy
6,032,590	A	3/2000 Chen	6,769,906	B1	8/2004 Grove et al.
6,065,466	A	5/2000 Baykal	6,776,084	B2	8/2004 Wild
6,196,213	B1	3/2001 Van Der Woude	D579,708	S *	11/2008 Chen D7/332
D449,490	S *	10/2001 Frederick D7/332	D580,209	S *	11/2008 Chiang D7/332
6,302,097	B1	10/2001 Rivera	D590,201	S *	4/2009 Zagar D7/335
6,349,713	B1	2/2002 Toyama	2004/0020482	A1	2/2004 Chen
D468,952	S *	1/2003 Graham et al. D7/332	2004/0099151	A1	5/2004 Wild
6,609,514	B1 *	8/2003 Bertolas 126/519	2005/0109331	A1 *	5/2005 Chao 126/25 R
			2008/0264408	A1 *	10/2008 Konkle et al. 126/519

* cited by examiner

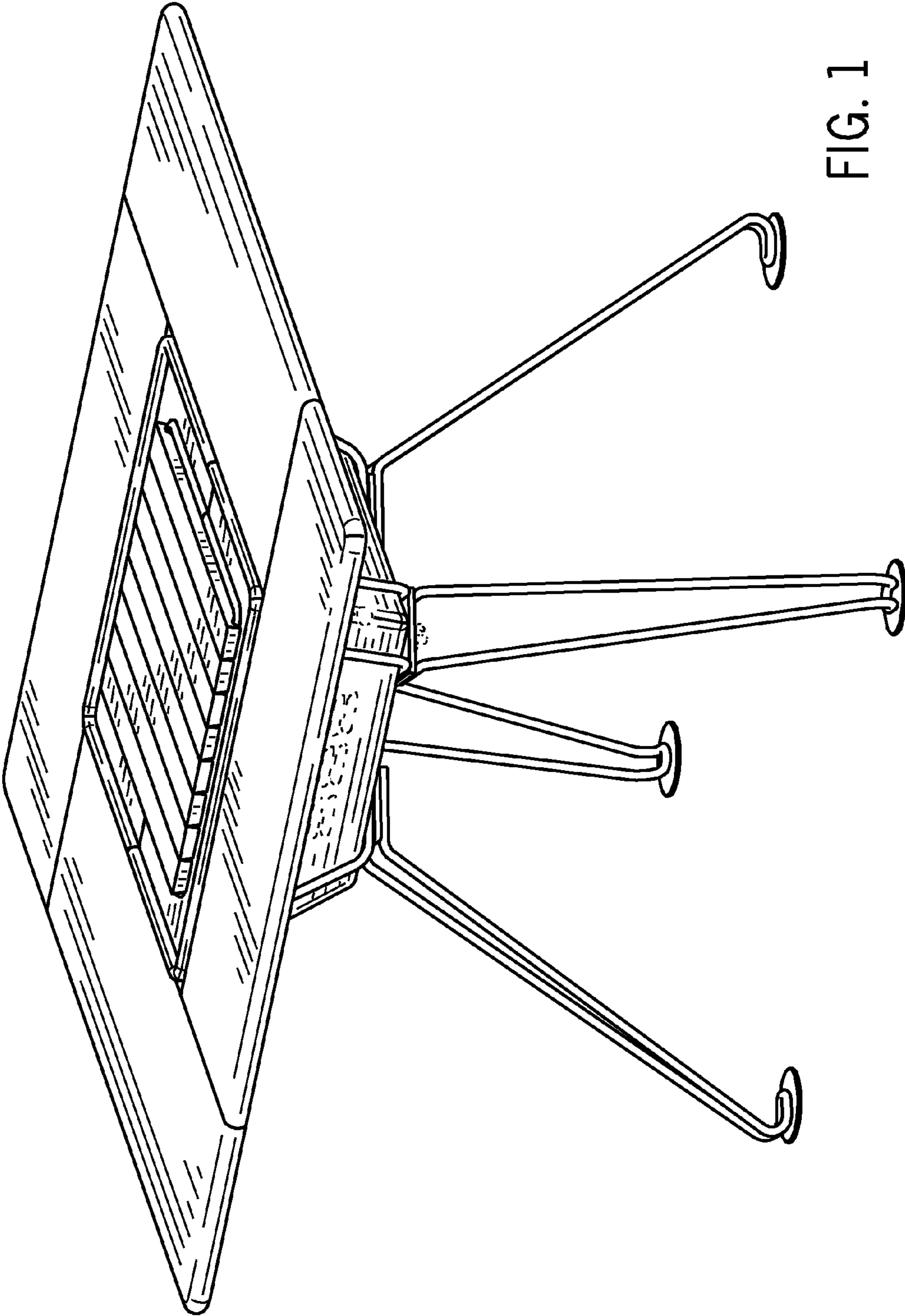


FIG. 1

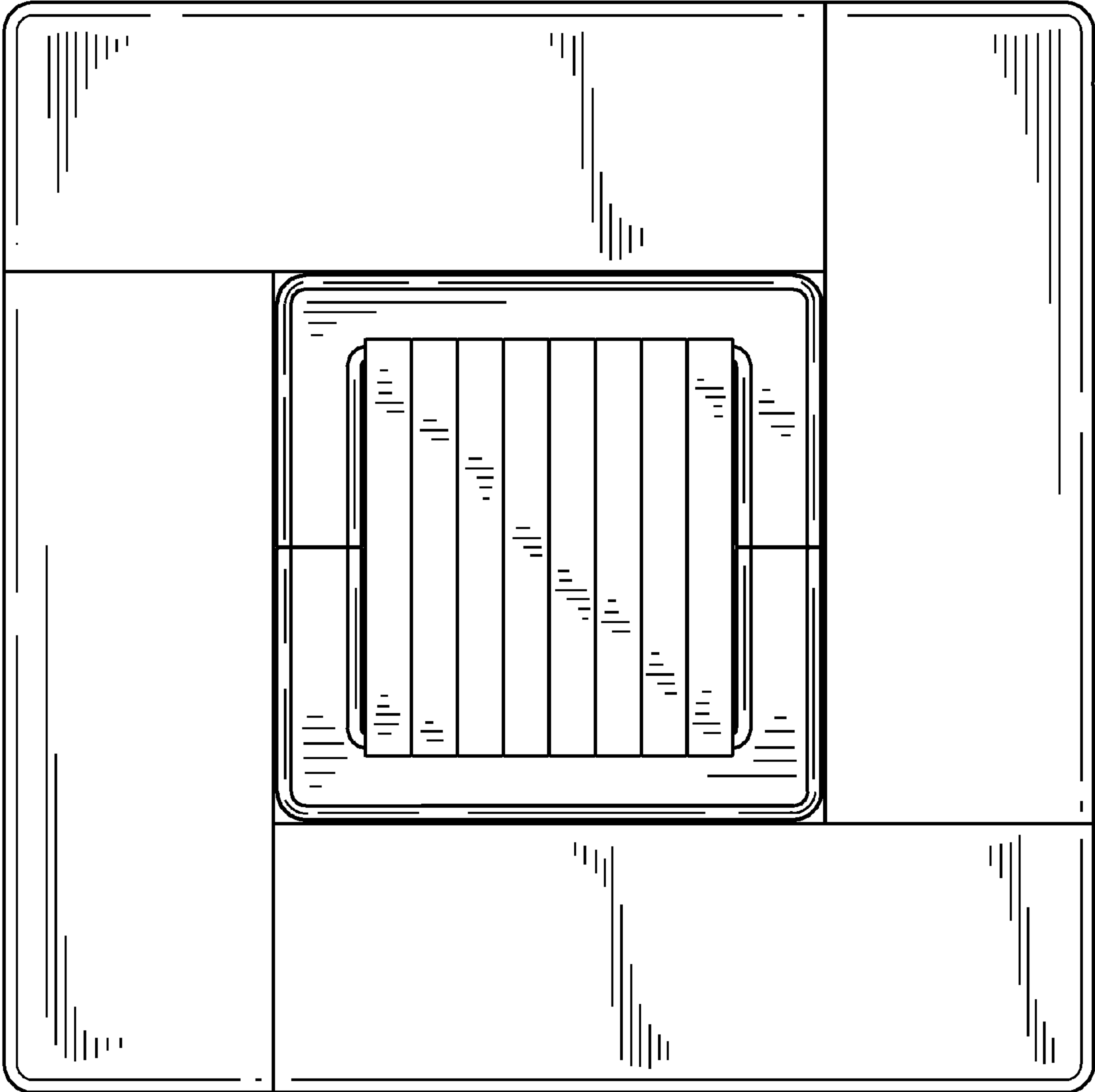


FIG. 2

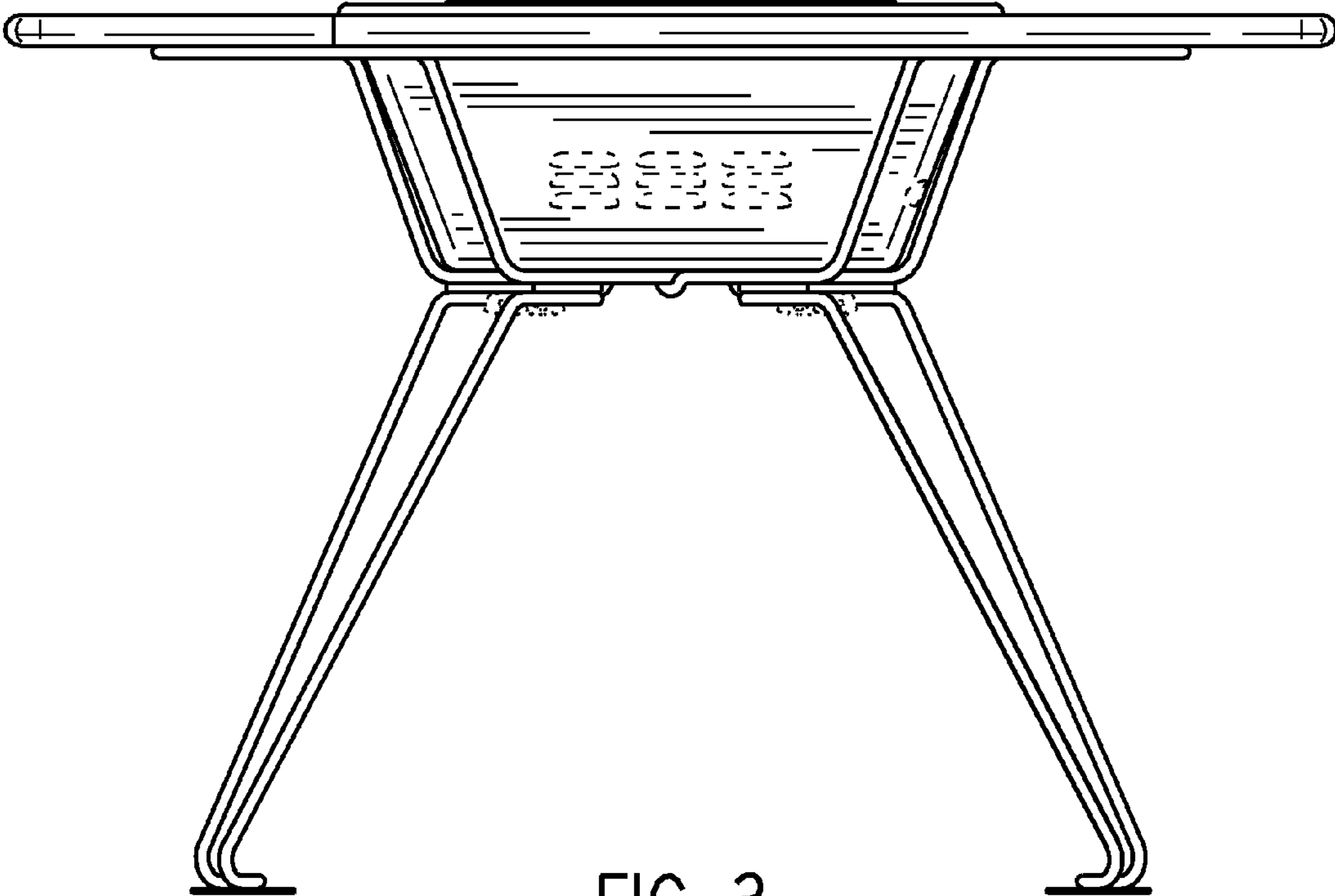


FIG. 3

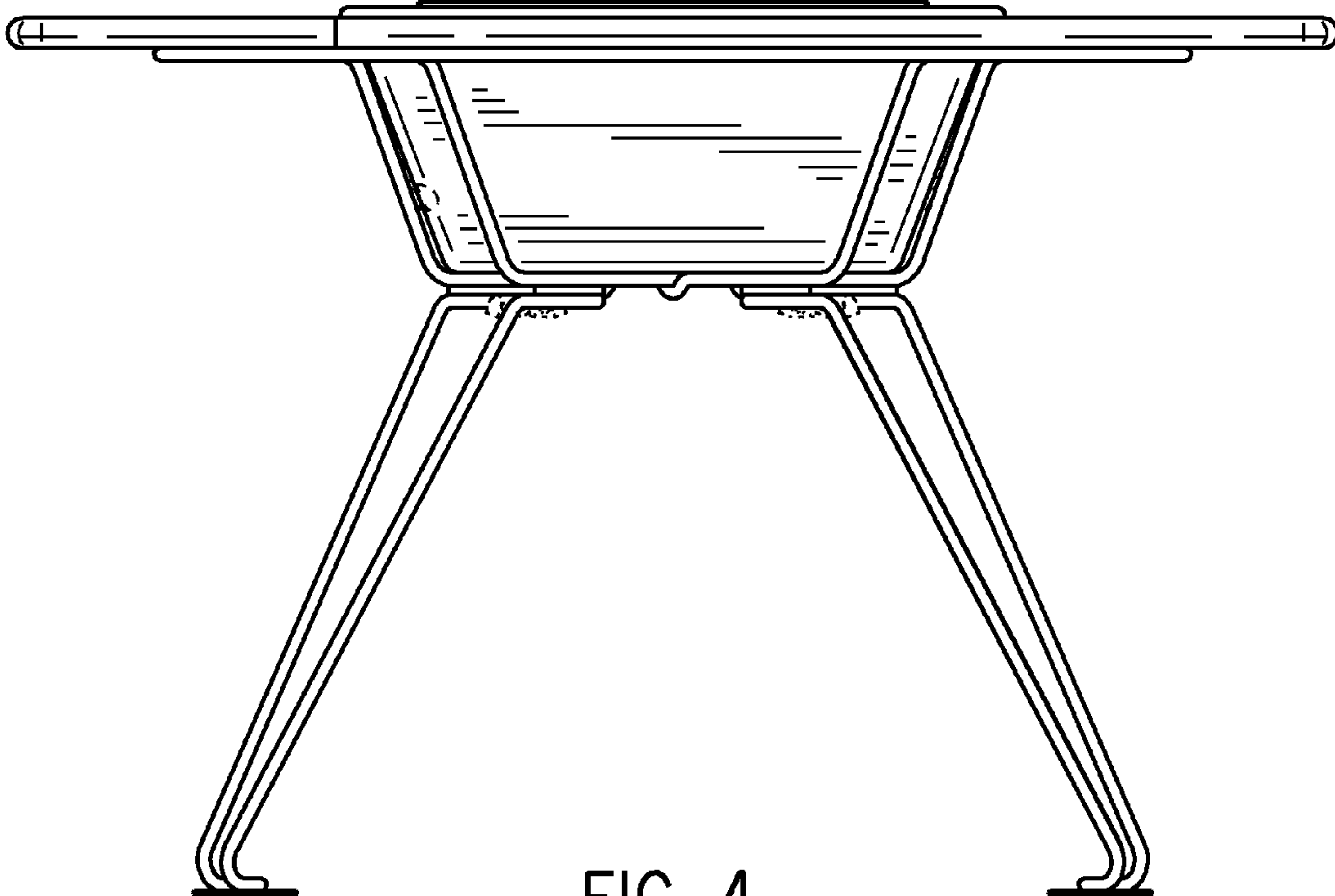


FIG. 4

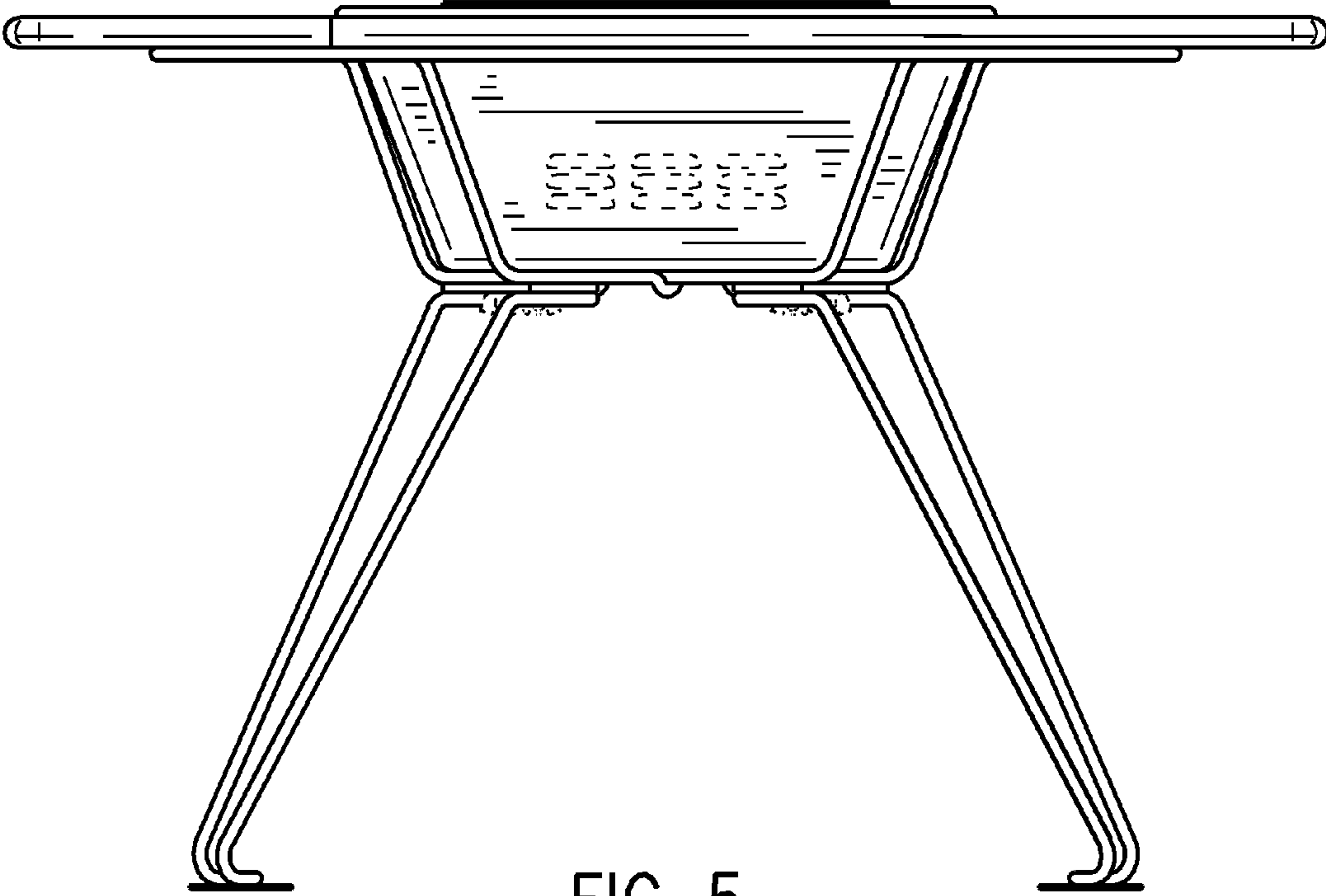


FIG. 5

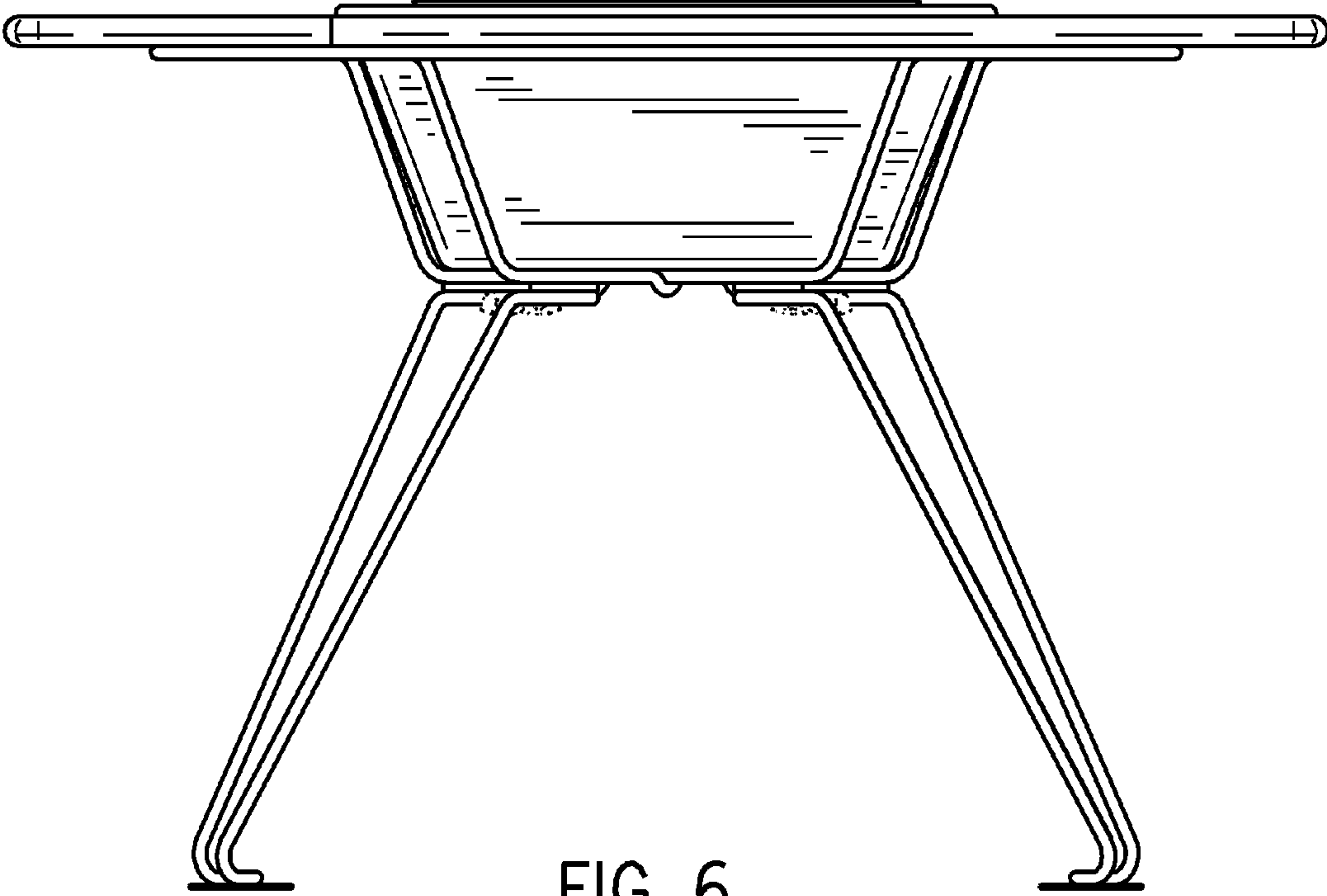


FIG. 6

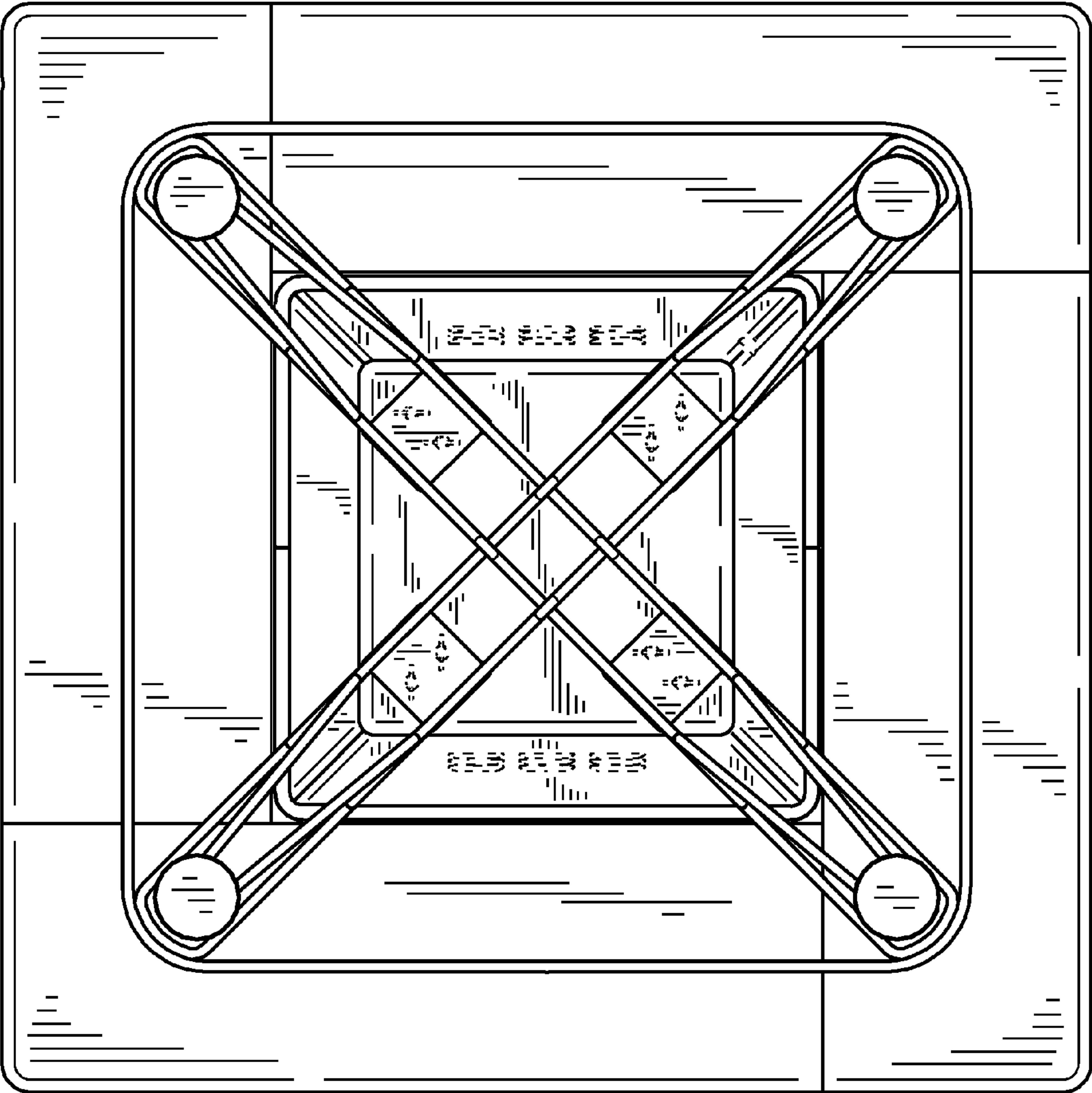


FIG. 7