



US00D624771S

(12) **United States Design Patent**
Lim

(10) **Patent No.:** **US D624,771 S**

(45) **Date of Patent:** **** Oct. 5, 2010**

(54) **WALL CABINET**

(75) Inventor: **Gary M. Lim**, Palos Verdes Peninsula,
CA (US)

(73) Assignee: **Seville Classics, Inc.**, Torrance, CA (US)

(**) Term: **14 Years**

(21) Appl. No.: **29/312,907**

(22) Filed: **Nov. 20, 2008**

(51) **LOC (9) Cl.** **06-04**

(52) **U.S. Cl.** **D6/561; D6/509**

(58) **Field of Classification Search** D6/552,
D6/559, 561, 396, 432, 445, 446, 491, 509;
52/177-181; 312/100, 204, 242-245, 227;
D25/47-48, 58, 138, 141, 103, 106-111,
D25/157-159

See application file for complete search history.

(56) **References Cited**

U.S. PATENT DOCUMENTS

1,750,366	A *	3/1930	Smith	312/227
3,298,764	A *	1/1967	Goldfarb	312/227
4,633,789	A *	1/1987	Kortering et al.	312/245
5,139,322	A *	8/1992	Aisley	312/227

D383,937	S *	9/1997	Myers	D6/559
D486,338	S *	2/2004	Walker	D6/559
D504,267	S *	4/2005	Harwanko	D6/559
D509,392	S *	9/2005	Walker	D6/559
D544,276	S *	6/2007	Walker	D6/559
D602,723	S *	10/2009	Daino et al.	D6/561

* cited by examiner

Primary Examiner—Brian N Vinson

(74) *Attorney, Agent, or Firm*—Raymond Sun

(57) **CLAIM**

The ornamental design for a wall cabinet, as shown and described.

DESCRIPTION

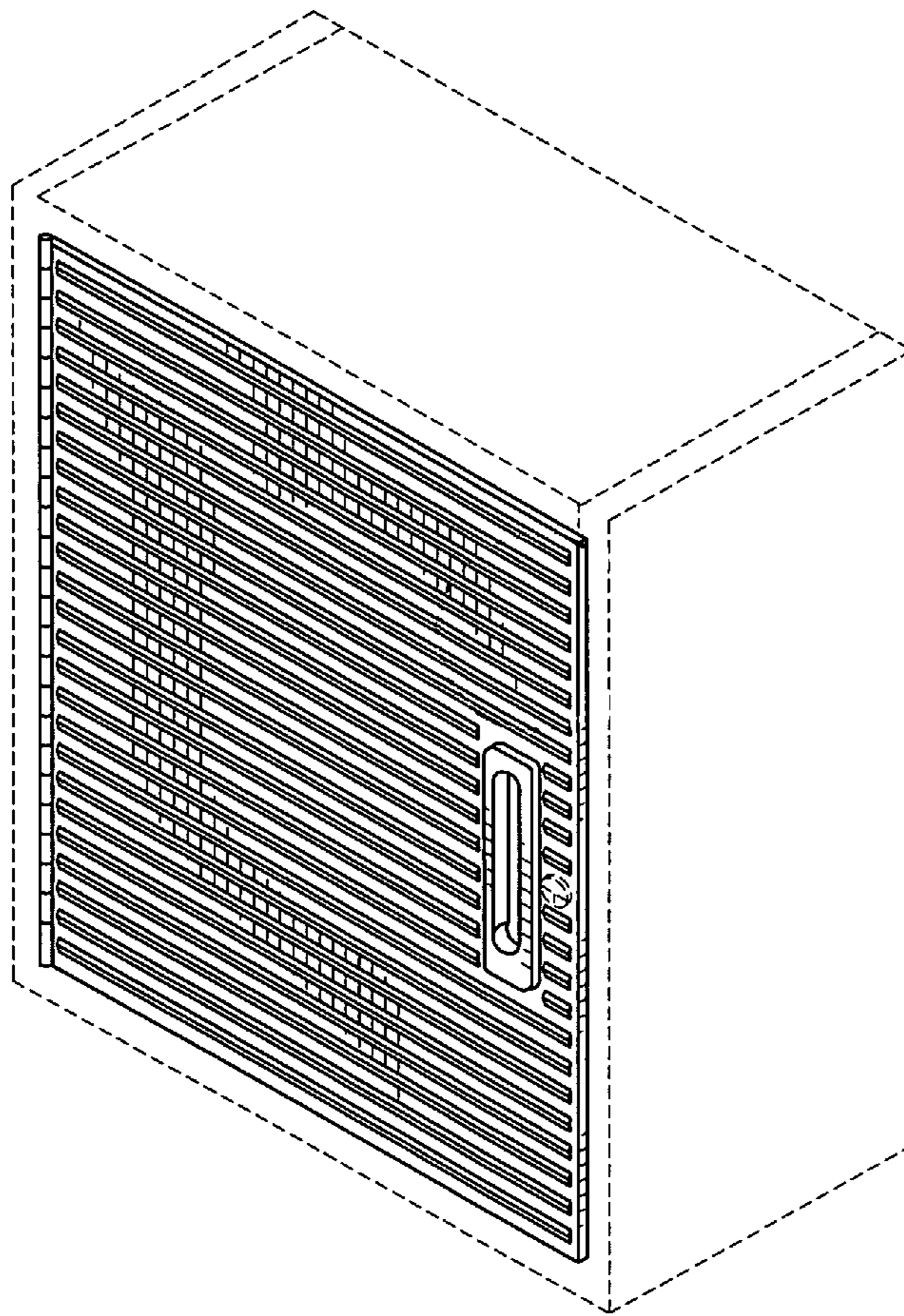
FIG. 1 is a top, front, and right side perspective view of a wall cabinet showing my new design;

FIG. 2 is an enlarged fragmentary top, front, and right side perspective view thereof; and,

FIG. 3 is a front elevational view thereof.

The broken line disclosure in the views is understood to represent portions of the article in which the claimed design is embodied, but which forms no part of the claimed design.

1 Claim, 2 Drawing Sheets



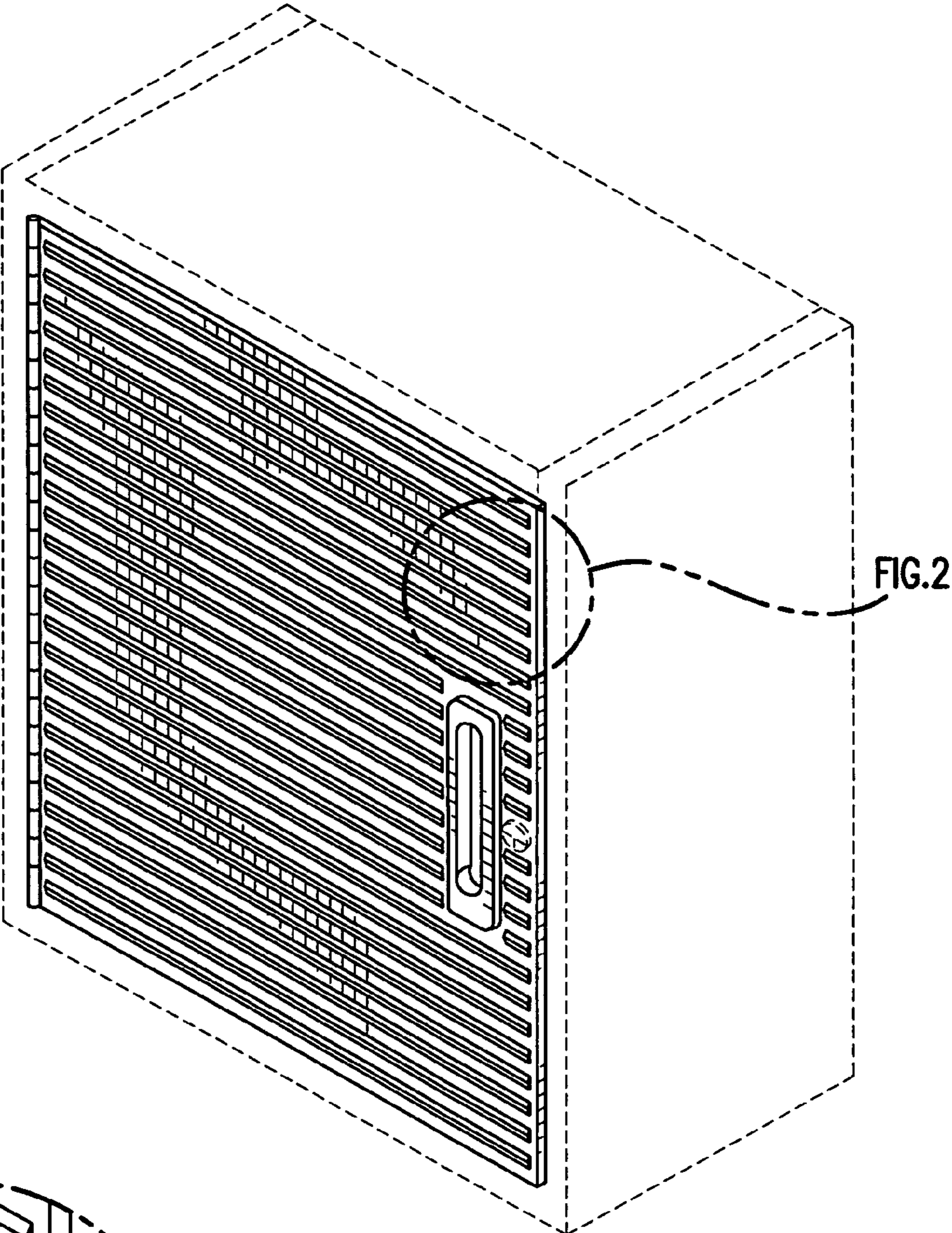


FIG. 1

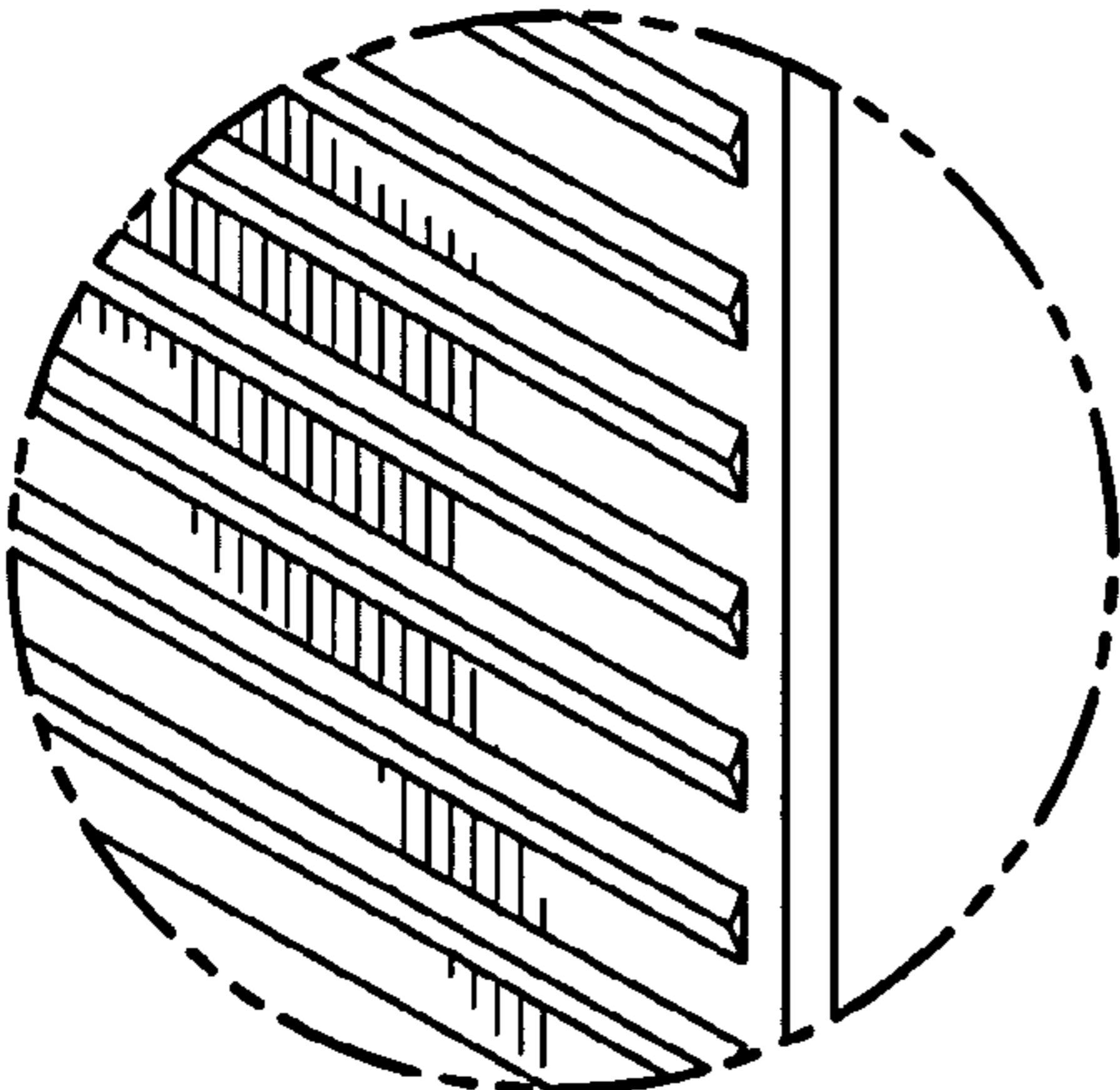


FIG. 2

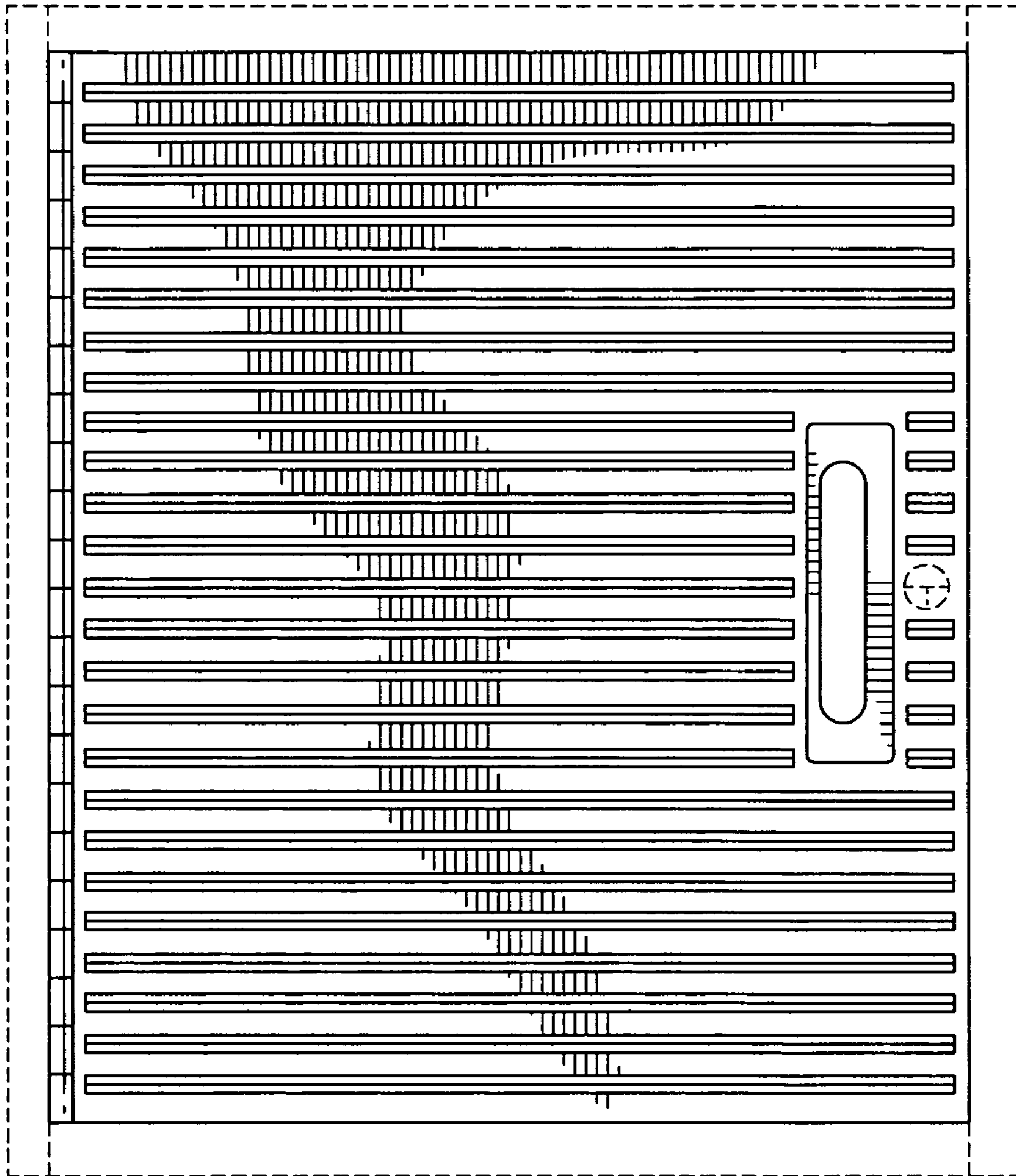


FIG. 3