



US00D624768S

(12) **United States Design Patent**
Clark et al.

(10) **Patent No.:** **US D624,768 S**
(45) **Date of Patent:** **** Oct. 5, 2010**

- (54) **MULTI-PANEL SIGN** 4,372,086 A * 2/1983 Hanlon 160/135
- 4,655,354 A 4/1987 Cohen
- (75) Inventors: **Jeremy A. Clark**, Minneapolis, MN 4,685,573 A 8/1987 Ovitz, III
- (US); **Michael A. Whittier**, 4,932,539 A 6/1990 Abinanti
- Minneapolis, MN (US) D318,194 S 7/1991 Terrell et al.
- D319,934 S 9/1991 Terrell et al.
- (73) Assignee: **Target Brands, Inc.**, Minneapolis, MN D322,188 S 12/1991 Leis et al.
- (US) D327,788 S 7/1992 Allen
- 5,240,127 A 8/1993 Levin et al.
- (**) Term: **14 Years** D362,981 S 10/1995 Lechleiter et al.
- 5,465,852 A 11/1995 Koks et al.
- (21) Appl. No.: **29/351,147** D394,360 S 5/1998 Geier et al.
- 5,778,959 A * 7/1998 Guetschow 160/231.2
- (22) Filed: **Dec. 1, 2009** 5,881,789 A * 3/1999 Melashenko et al. 160/135

Related U.S. Application Data

- (63) Continuation of application No. 11/777,765, filed on Jul. 13, 2007, now Pat. No. 7,644,527.
- (51) **LOC (9) Cl.** **06-04**
- (52) **U.S. Cl.** **D6/509**
- (58) **Field of Classification Search** D6/509,
D6/409, 474, 301, 511, 553, 567, 569; 160/135,
160/231.2; D11/132, 131, 133, 157; 211/169,
211/131, 42, 70.1, 86.01, 87.01, 90.01, 134;
40/606.01, 700, 711, 735; 256/25; 181/30
See application file for complete search history.

References Cited

U.S. PATENT DOCUMENTS

- (56) 1,595,929 A * 8/1926 Rhodes 160/135
- 1,736,726 A 11/1929 Young
- 2,896,789 A 7/1959 Sans et al.
- 3,059,362 A 10/1962 Scherotto
- 3,149,727 A 9/1964 Magers
- 3,232,370 A * 2/1966 Jaffe 181/30
- D206,037 S * 10/1966 Best D6/409
- 3,351,211 A * 11/1967 Best 211/169
- 3,397,771 A 8/1968 Fogle
- 3,605,851 A * 9/1971 Miles et al. 160/135
- 3,677,322 A * 7/1972 Brorson et al. 160/135
- 3,889,736 A * 6/1975 Firks 160/135
- 4,035,941 A 7/1977 Deffner
- 4,322,007 A 3/1982 Feibelman

(Continued)

Primary Examiner—Philip S Hyder
Assistant Examiner—Sydney R Buffalow
(74) *Attorney, Agent, or Firm*—Griffiths & Seaton PLLC

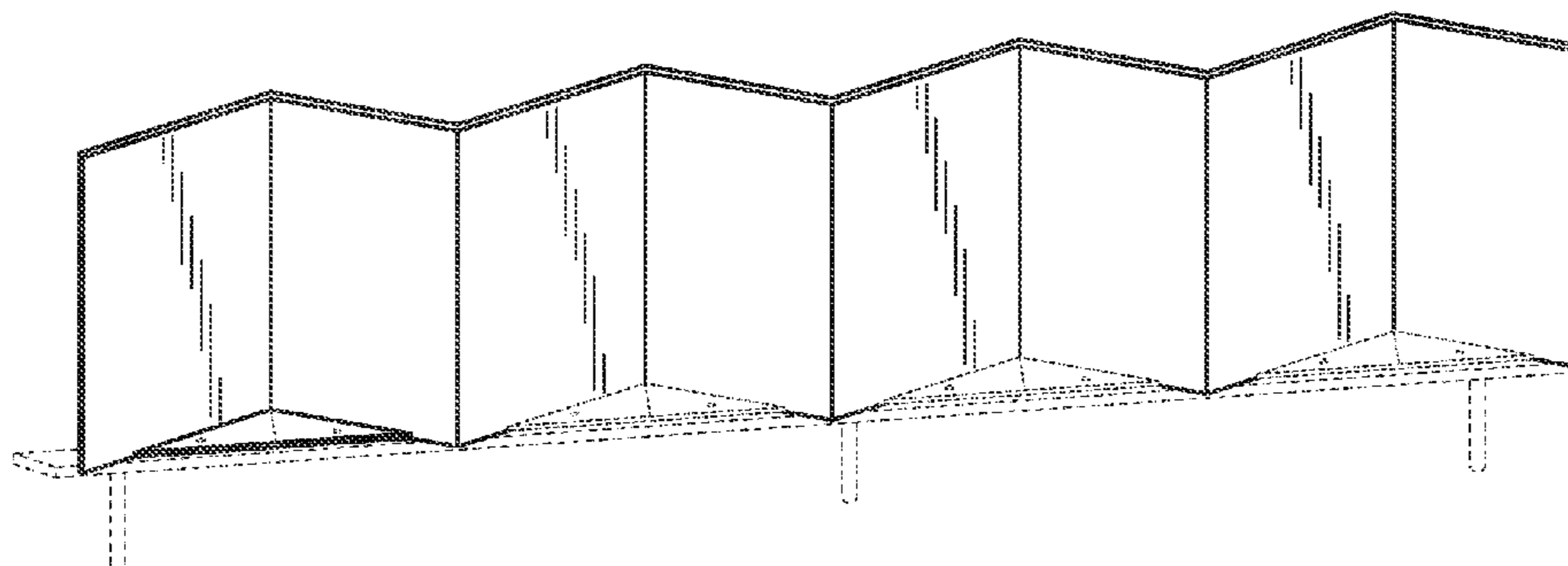
(57) **CLAIM**

The ornamental design for a multi-panel sign, as shown and described.

DESCRIPTION

FIG. 1 is an isometric view of a multi-panel sign showing our new design;
FIG. 2 is a front view thereof;
FIG. 3 is a rear view thereof;
FIG. 4 is a top view thereof
FIG. 5 is a bottom view thereof;
FIG. 6 is a right end view thereof with a left end view being substantially identical to the right end view; and,
FIG. 7 is an isometric view thereof during use as part of a display system.
The features shown in broken lines depict environmental subject matter and form no part of the claimed design.

1 Claim, 3 Drawing Sheets



US D624,768 S

Page 2

U.S. PATENT DOCUMENTS			
D407,665	S *	4/1999	Churchville D11/132
6,009,930	A *	1/2000	Jantschek 160/135
6,029,833	A	2/2000	Yeh
6,062,402	A	5/2000	Ford
D435,743	S	1/2001	Glauth et al.
D450,948	S	11/2001	Stafford et al.
6,364,137	B1	4/2002	Glauth et al.
D457,751	S	5/2002	Stafford et al.
D468,936	S	1/2003	Miranda
D474,350	S	5/2003	Sardis
6,644,484	B1	11/2003	Sardis
6,786,340	B2	9/2004	Ford et al.
6,892,784	B2 *	5/2005	Maas 160/135
6,915,916	B2	7/2005	Martins
6,971,197	B1 *	12/2005	Seiber et al. 40/606.01
6,974,037	B2	12/2005	Haney
7,007,814	B2	3/2006	Ploix
7,213,632	B1 *	5/2007	Goldstein et al. 160/135
D555,398	S *	11/2007	Plumb D6/474
7,350,772	B2 *	4/2008	Legrand 256/25
2003/0056697	A1	3/2003	Crown et al.
2003/0150566	A1 *	8/2003	Ciano 160/135
2003/0221798	A1 *	12/2003	Hunt et al. 160/135
2004/0173325	A1 *	9/2004	Maas 160/135
2005/0230338	A1	10/2005	Farinola et al.
2007/0170139	A1	7/2007	Clark et al.
2010/0051211	A1 *	3/2010	Chen 160/135

* cited by examiner

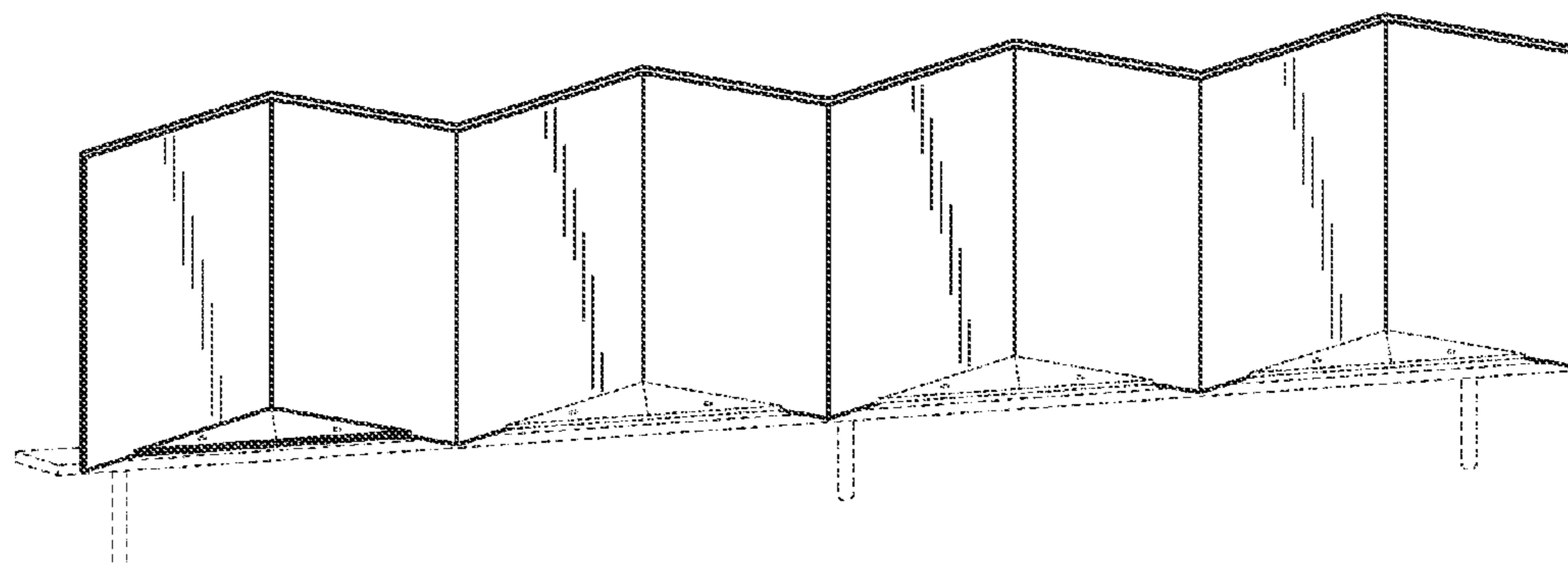


Fig. 1

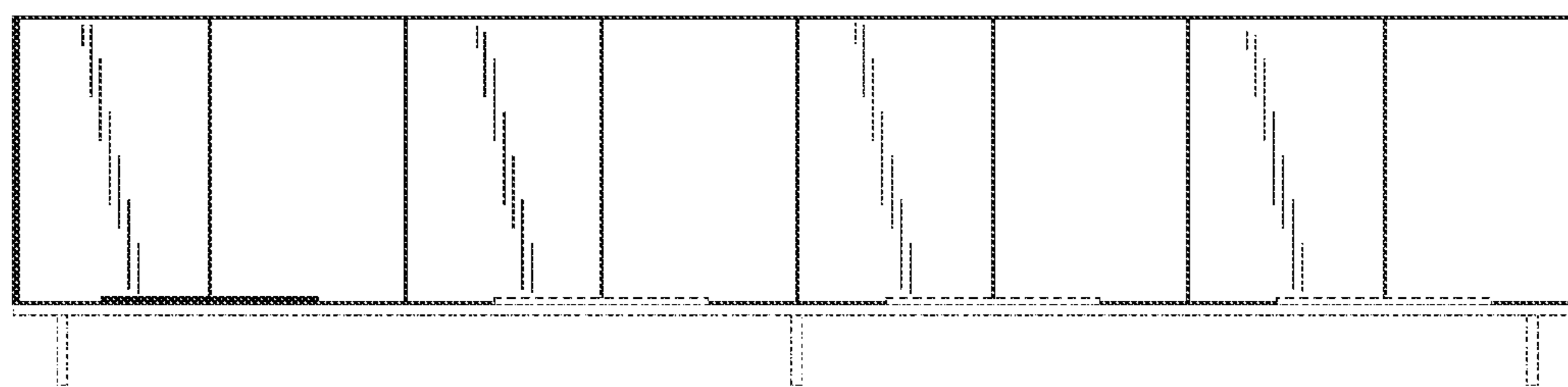


Fig. 2

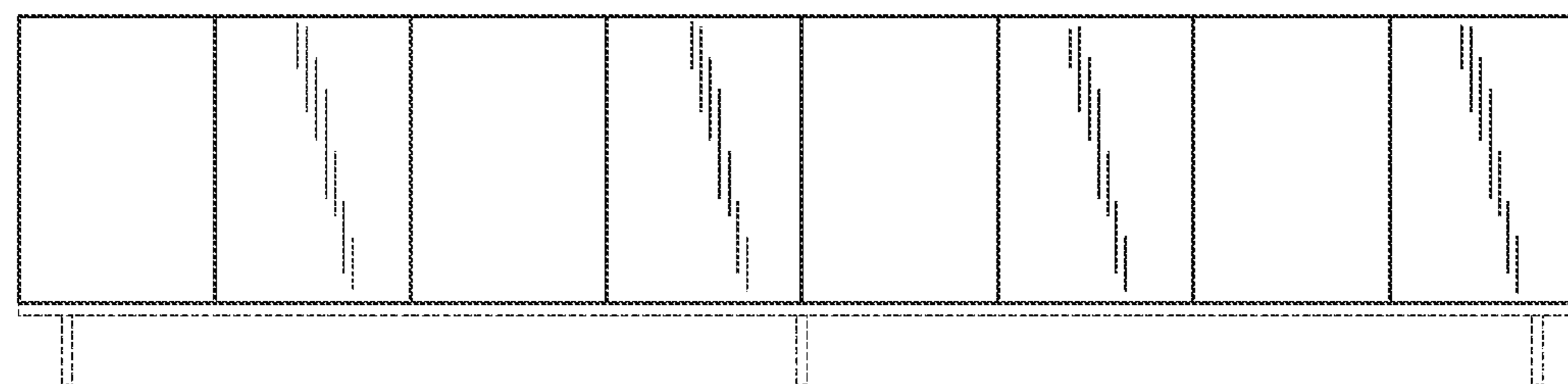


Fig. 3

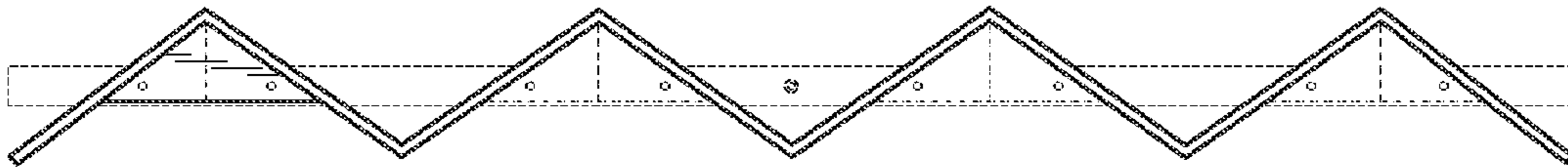


Fig. 4

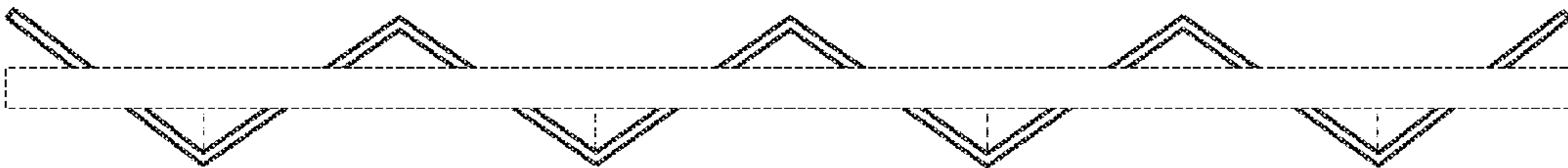


Fig. 5

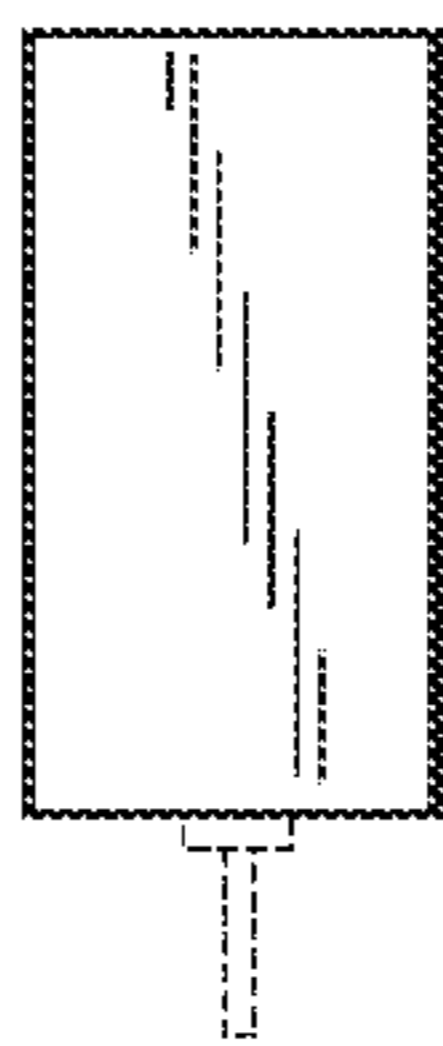


Fig. 6

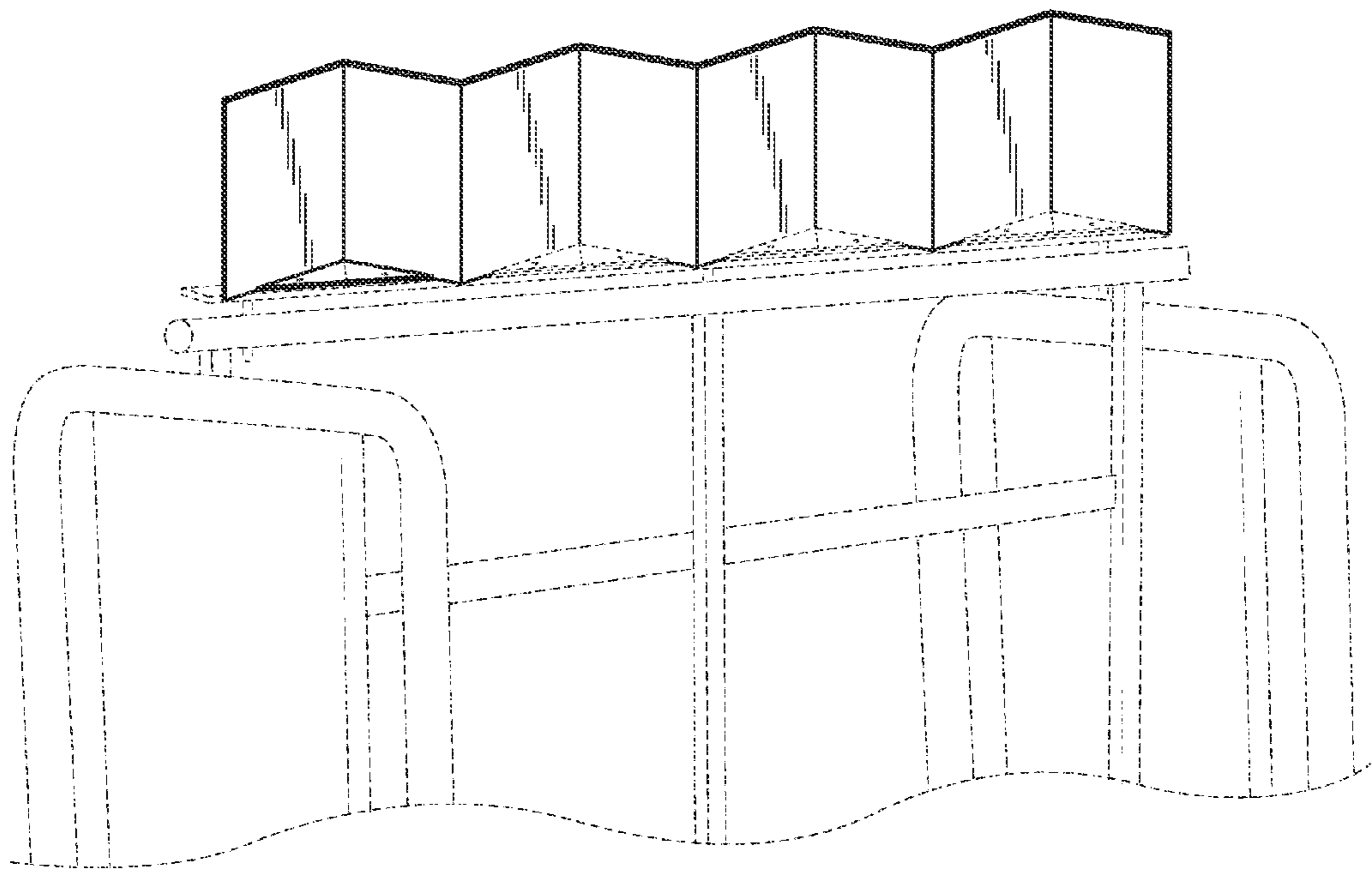


Fig. 7