



US00D624766S

(12) **United States Design Patent**  
**Brunstad**

(10) **Patent No.:** **US D624,766 S**

(45) **Date of Patent:** **\*\* Oct. 5, 2010**

(54) **BASE FOR CHAIRS**

D459,917 S \* 7/2002 Hankins et al. .... D6/495  
D545,596 S \* 7/2007 Lin ..... D6/495  
D560,083 S \* 1/2008 Lade ..... D6/495

(75) Inventor: **Anders Brunstad**, Sykkylven (NO)

(73) Assignee: **Elano AS**, Sykkylven (NO)

(\*\*) Term: **14 Years**

(21) Appl. No.: **29/311,850**

(22) Filed: **Jul. 14, 2009**

(51) **LOC (9) Cl.** ..... **06-04**

(52) **U.S. Cl.** ..... **D6/495**

(58) **Field of Classification Search** ..... D6/334,  
D6/349, 364–365, 367, 495, 499, 500–502;  
297/4, 423.1, 423.39, 423.41, 461–462; 248/188,  
248/188.1, 346.01

See application file for complete search history.

(56) **References Cited**

**U.S. PATENT DOCUMENTS**

D364,283 S \* 11/1995 Zaidman ..... D6/365  
D384,228 S \* 9/1997 Desnoyers ..... D6/495  
D406,971 S \* 3/1999 McDiarmid ..... D6/495  
D419,005 S \* 1/2000 McDiarmid ..... D6/495  
D447,365 S \* 9/2001 Chi ..... D6/495

\* cited by examiner

*Primary Examiner*—Elizabeth A Albert

*Assistant Examiner*—Kelley A Donnelly

(74) *Attorney, Agent, or Firm*—Jacobson Holman PLLC

(57) **CLAIM**

The ornamental design for the base for chairs, as shown and described.

**DESCRIPTION**

FIG. 1 is a bottom perspective view of the base for chairs embodying my design;

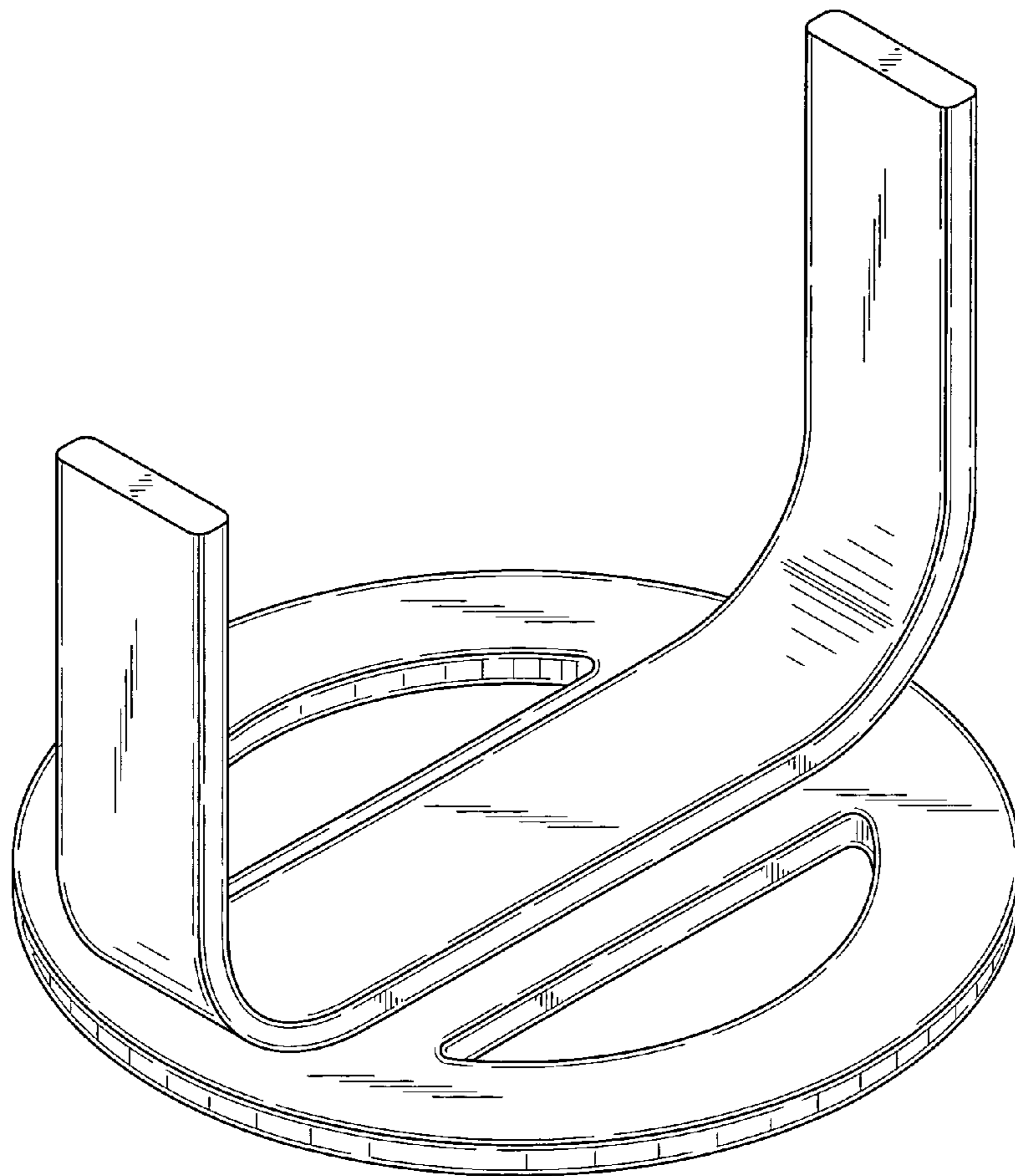
FIG. 2 is a front elevational view of the base for chairs, the back view being identical;

FIG. 3 is a left side elevational view of the base for chairs the right side being identical;

FIG. 4 is a top plan view of the base for chairs; and,

FIG. 5 is a bottom view of the base for chairs.

**1 Claim, 3 Drawing Sheets**



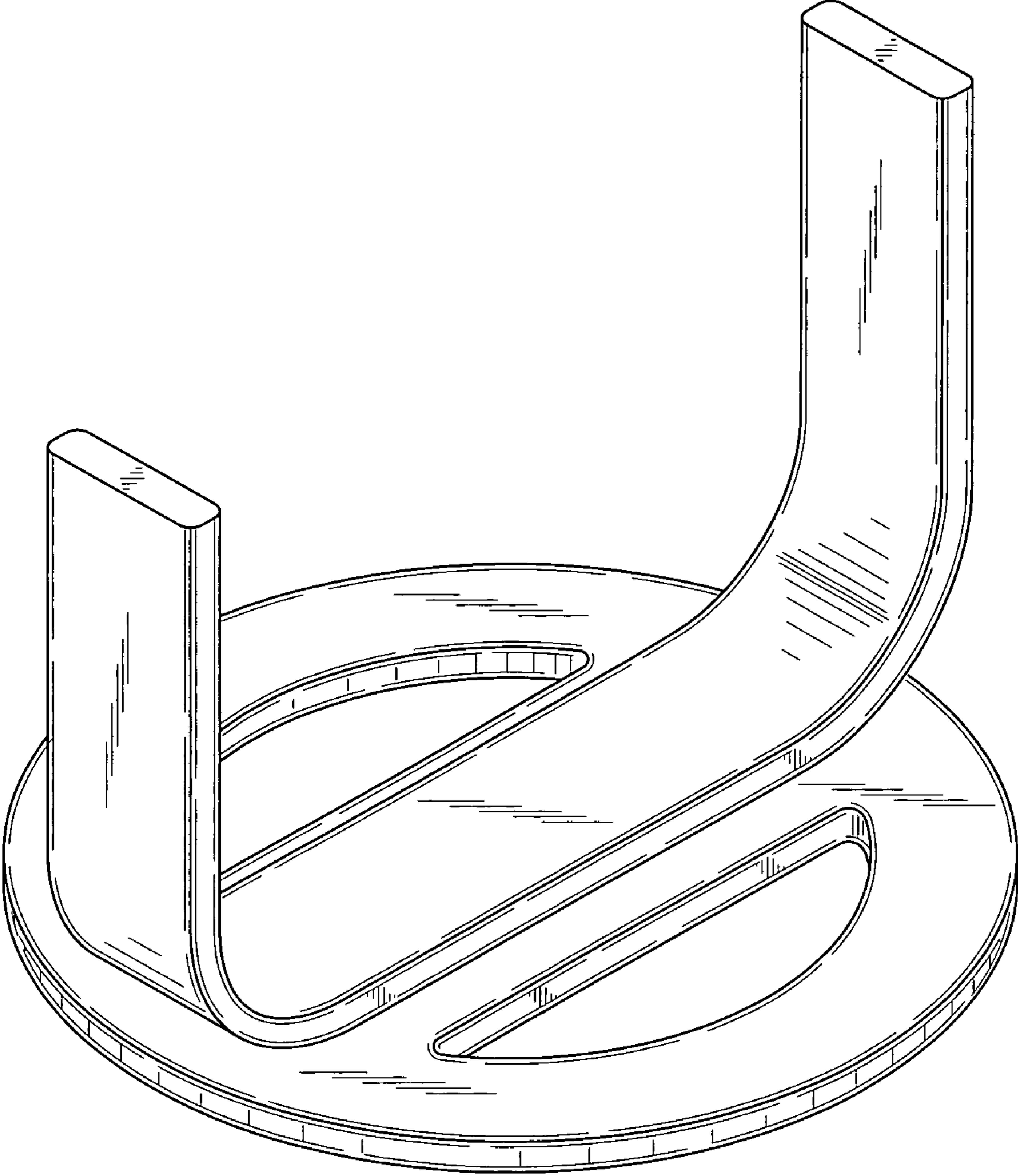


FIG. 1

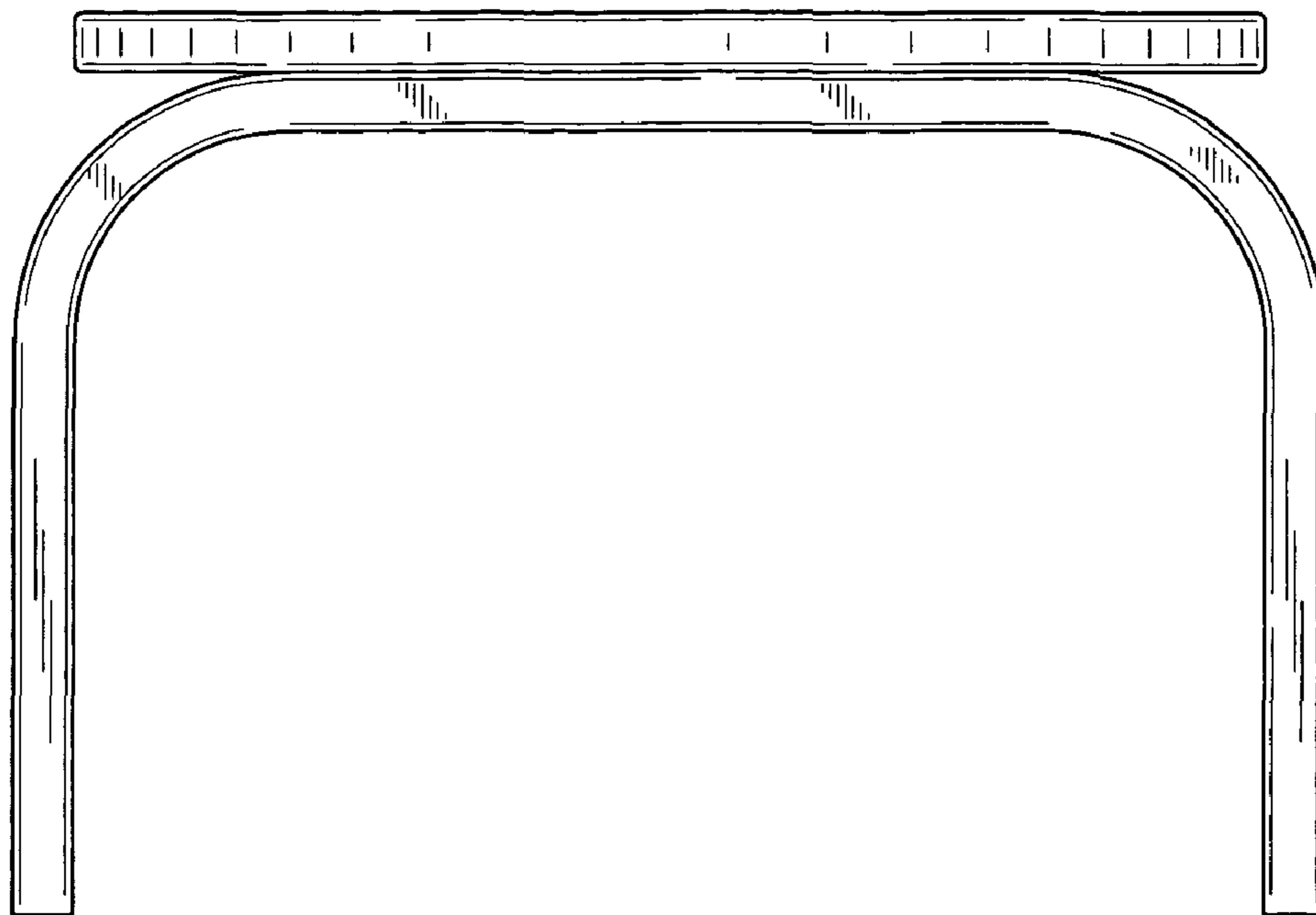


FIG. 2

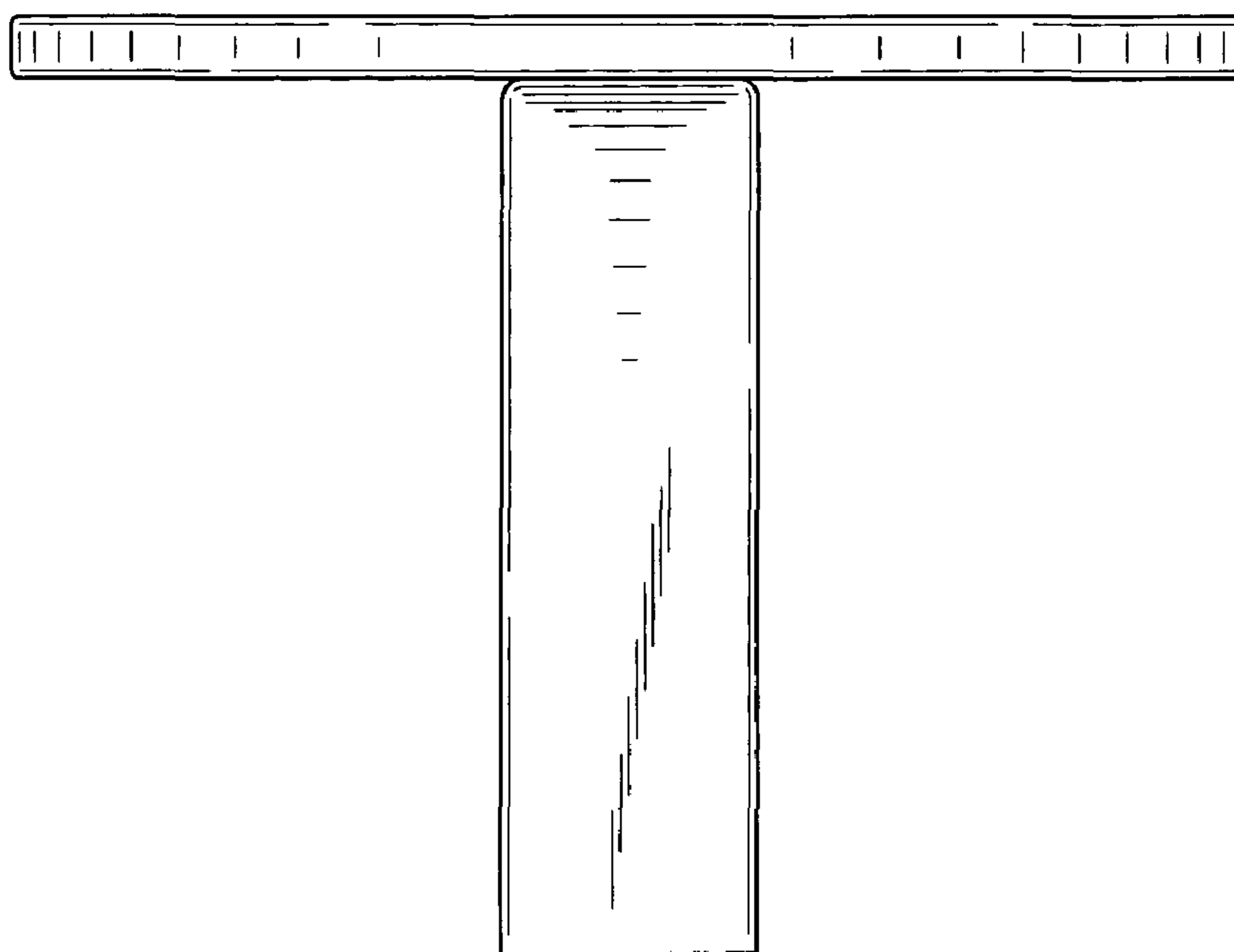


FIG. 3

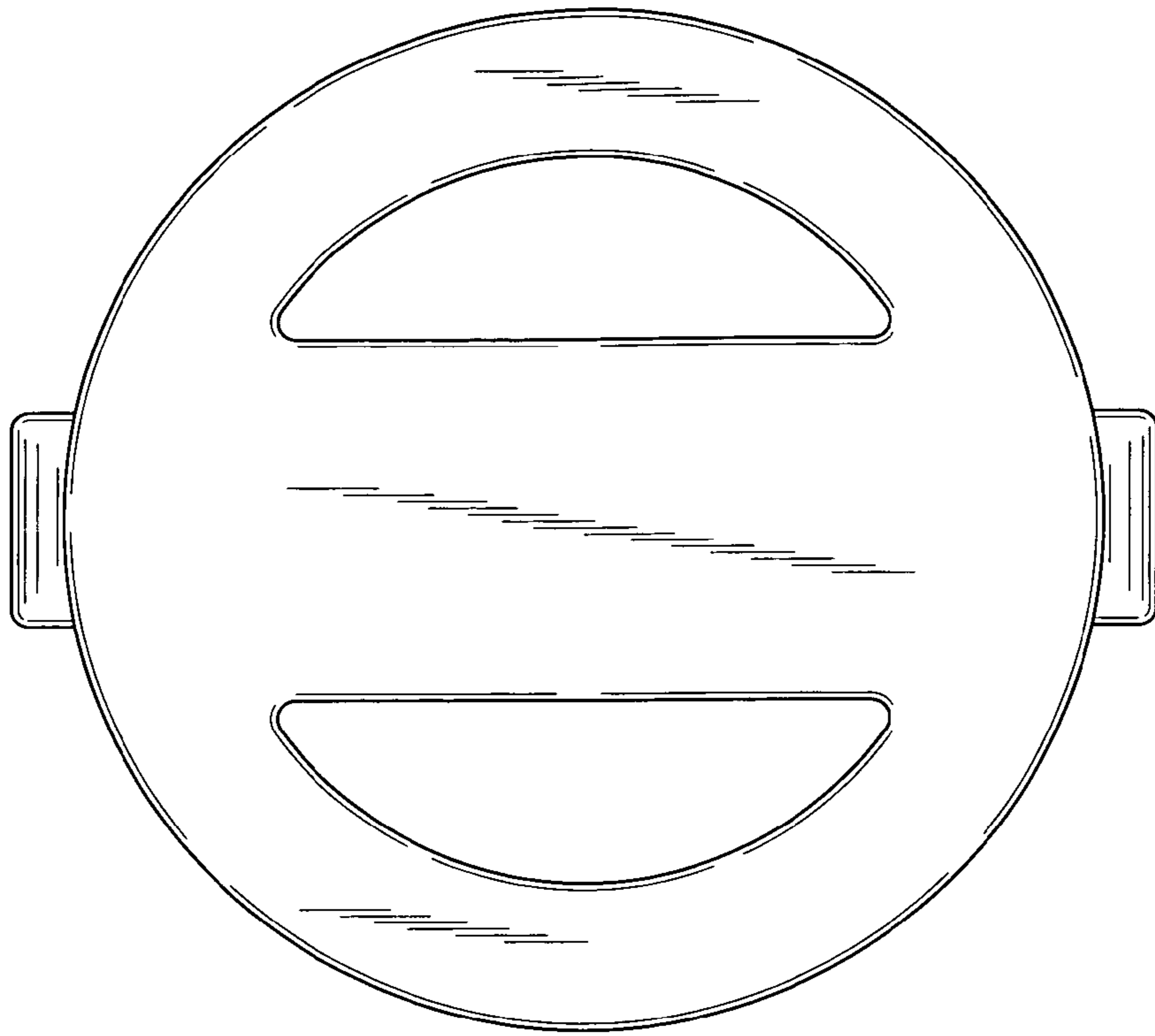


FIG. 4

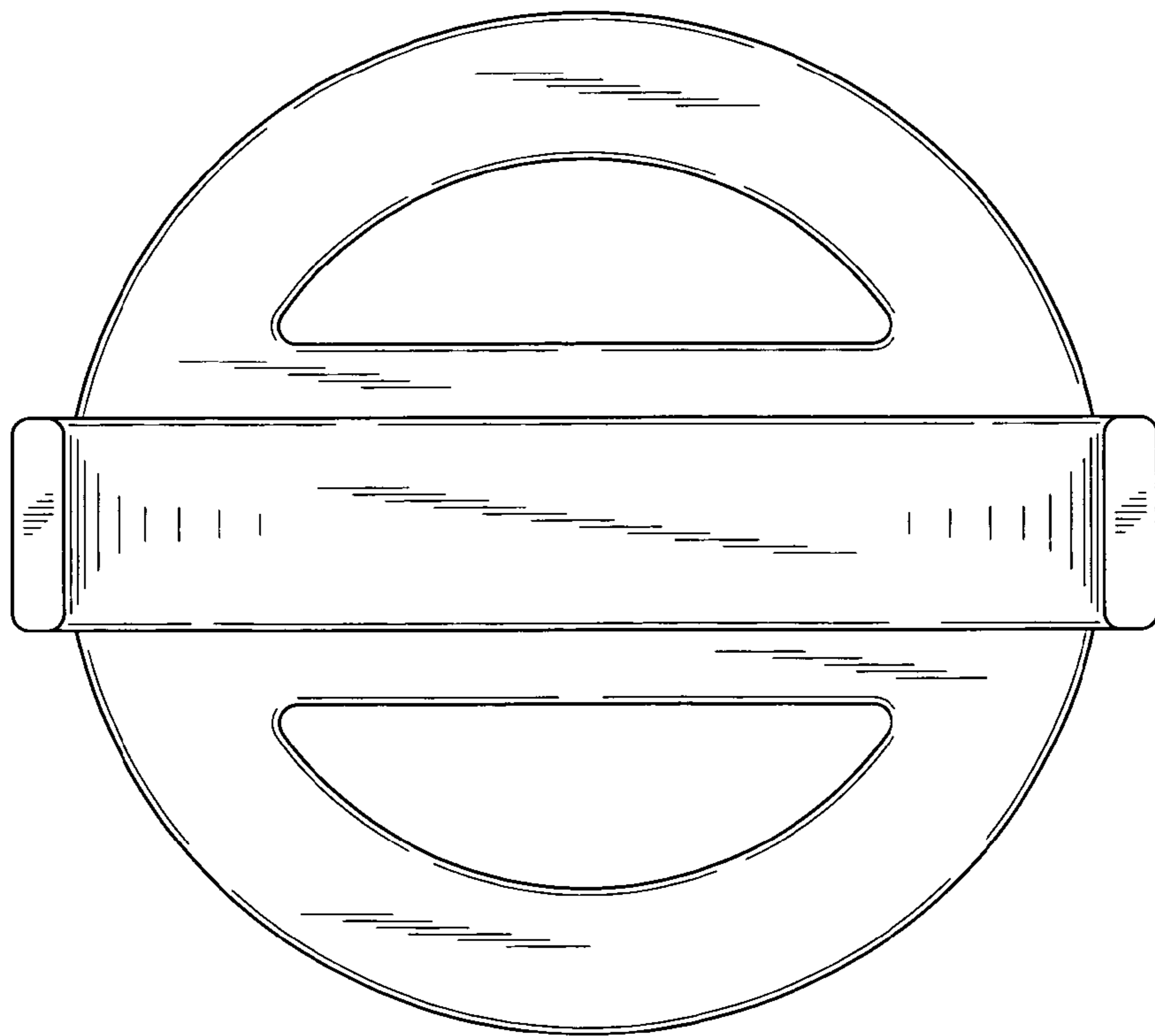


FIG. 5