



US00D624765S

(12) **United States Design Patent**
Looser

(10) **Patent No.:** **US D624,765 S**
(45) **Date of Patent:** **** Oct. 5, 2010**

(54) **OFFICE CABINET**

(75) Inventor: **Hans Looser**, Owen (DE)

(73) Assignee: **moll Funktionsmoebel GmbH**,
Gruibingen (DE)

(**) Term: **14 Years**

(21) Appl. No.: **29/349,685**

(22) Filed: **Apr. 22, 2010**

(30) **Foreign Application Priority Data**

Oct. 29, 2009 (WO) 519 107 301

(51) **LOC (9) Cl.** **06-04**

(52) **U.S. Cl.** **D6/478**

(58) **Field of Classification Search** D6/449,
D6/455, 478-479, 488, 515, 477, 511-512;
248/127-128, 159; 108/191, 101, 153.1,
108/159

See application file for complete search history.

(56) **References Cited**

U.S. PATENT DOCUMENTS

4,345,526 A * 8/1982 Streit 108/191
D333,744 S * 3/1993 Zimmerman D6/457

D381,547 S * 7/1997 Kelley, Jr. D6/629
D468,506 S * 1/2003 Mitchell D34/6
D522,186 S * 5/2006 Taylor D30/143
D554,898 S * 11/2007 Sparkowski D6/461
D562,596 S * 2/2008 Maldonado D6/478

* cited by examiner

Primary Examiner—Elizabeth A Albert

Assistant Examiner—Kelley A Donnelly

(74) *Attorney, Agent, or Firm*—Flynn, Thiel, Boutell & Tanis,
P.C.

(57) **CLAIM**

The ornamental design for an office cabinet, as shown and
described.

DESCRIPTION

FIG. 1 is a perspective view of the office cabinet;

FIG. 2 is a bottom view;

FIG. 3 is a top view;

FIG. 4 is a front view;

FIG. 5 is a back view;

FIG. 6 is a left side view; and,

FIG. 7 is a right side view thereof.

1 Claim, 3 Drawing Sheets

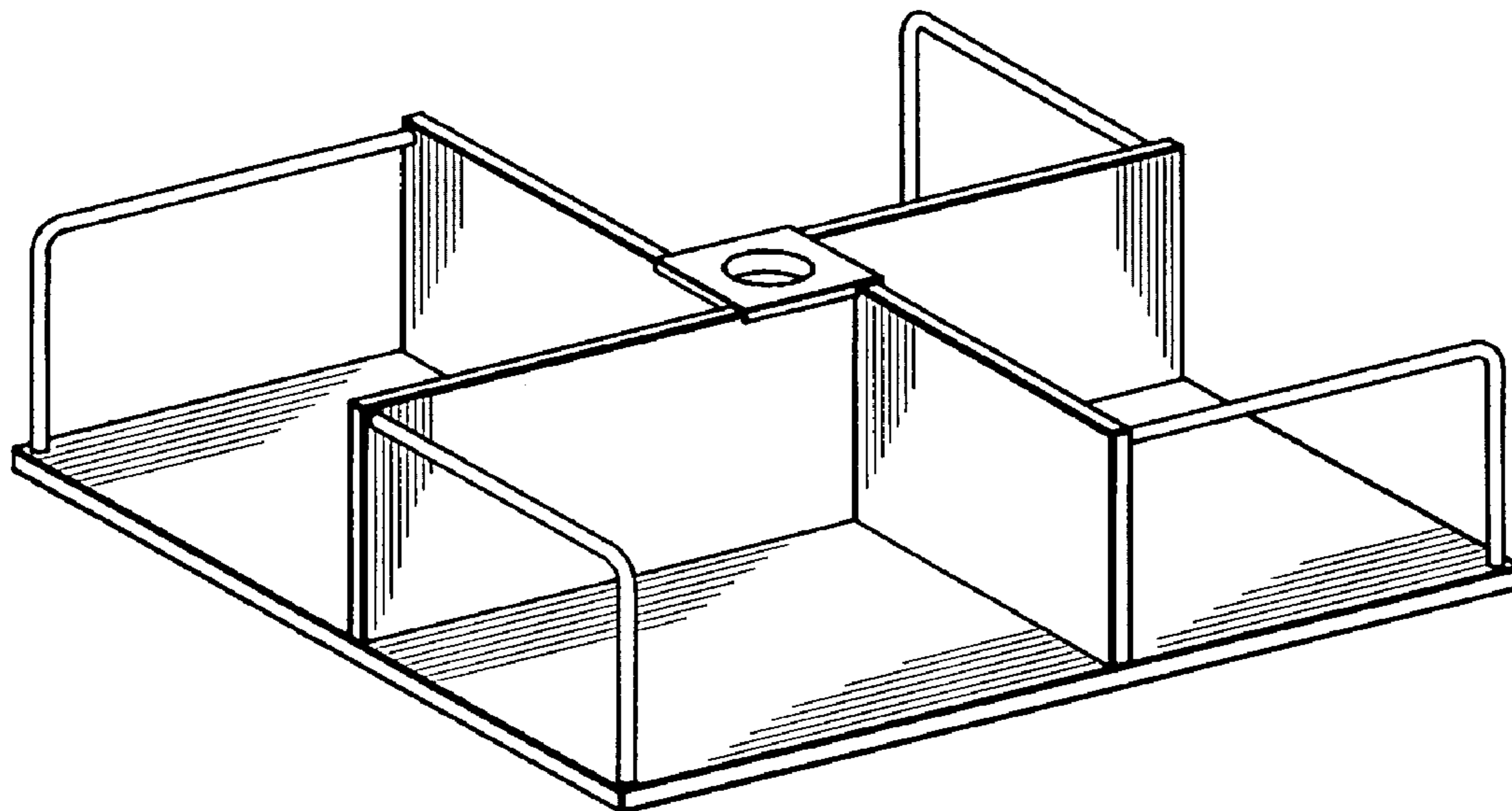


FIG. 1

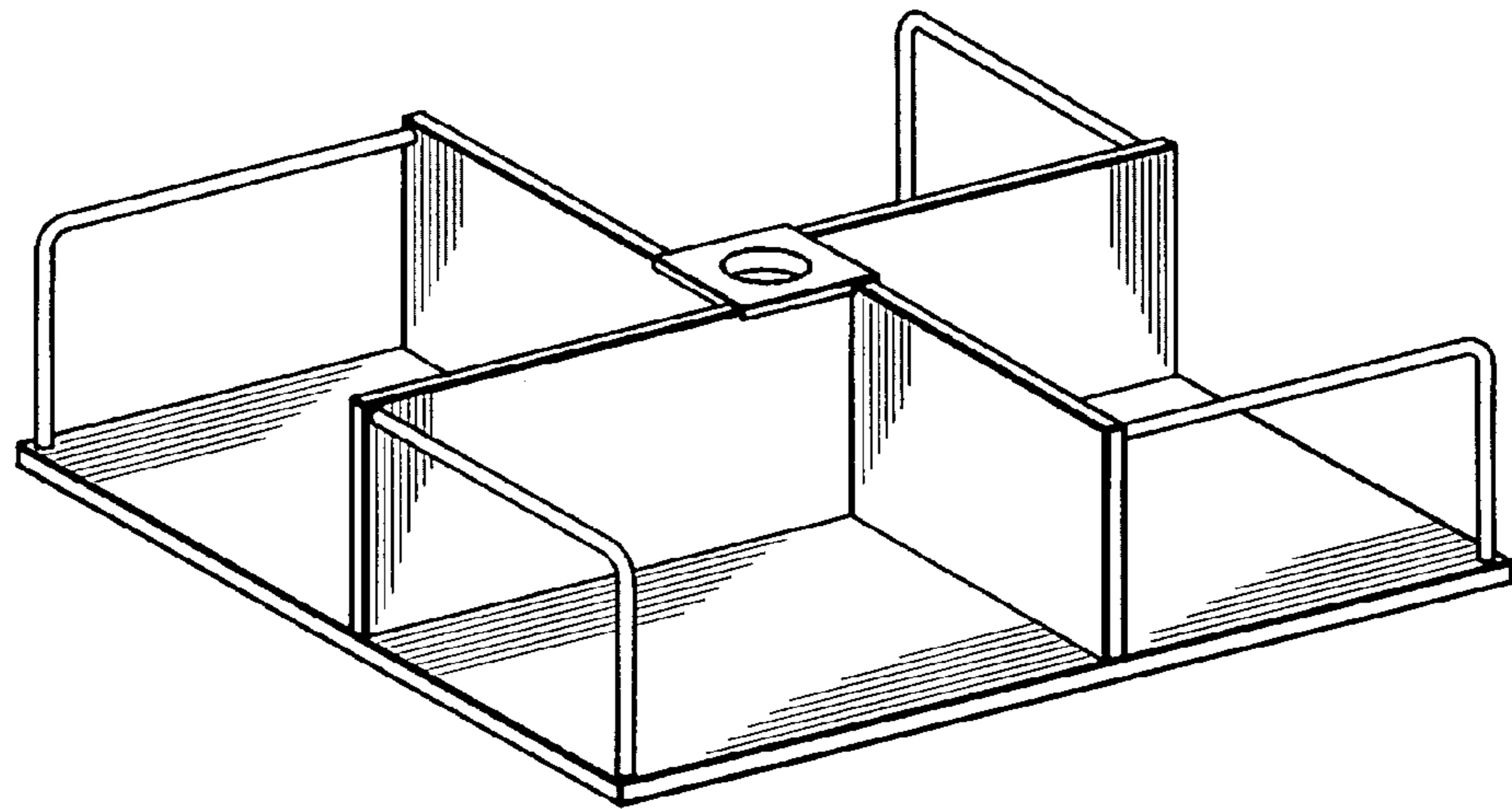


FIG. 2

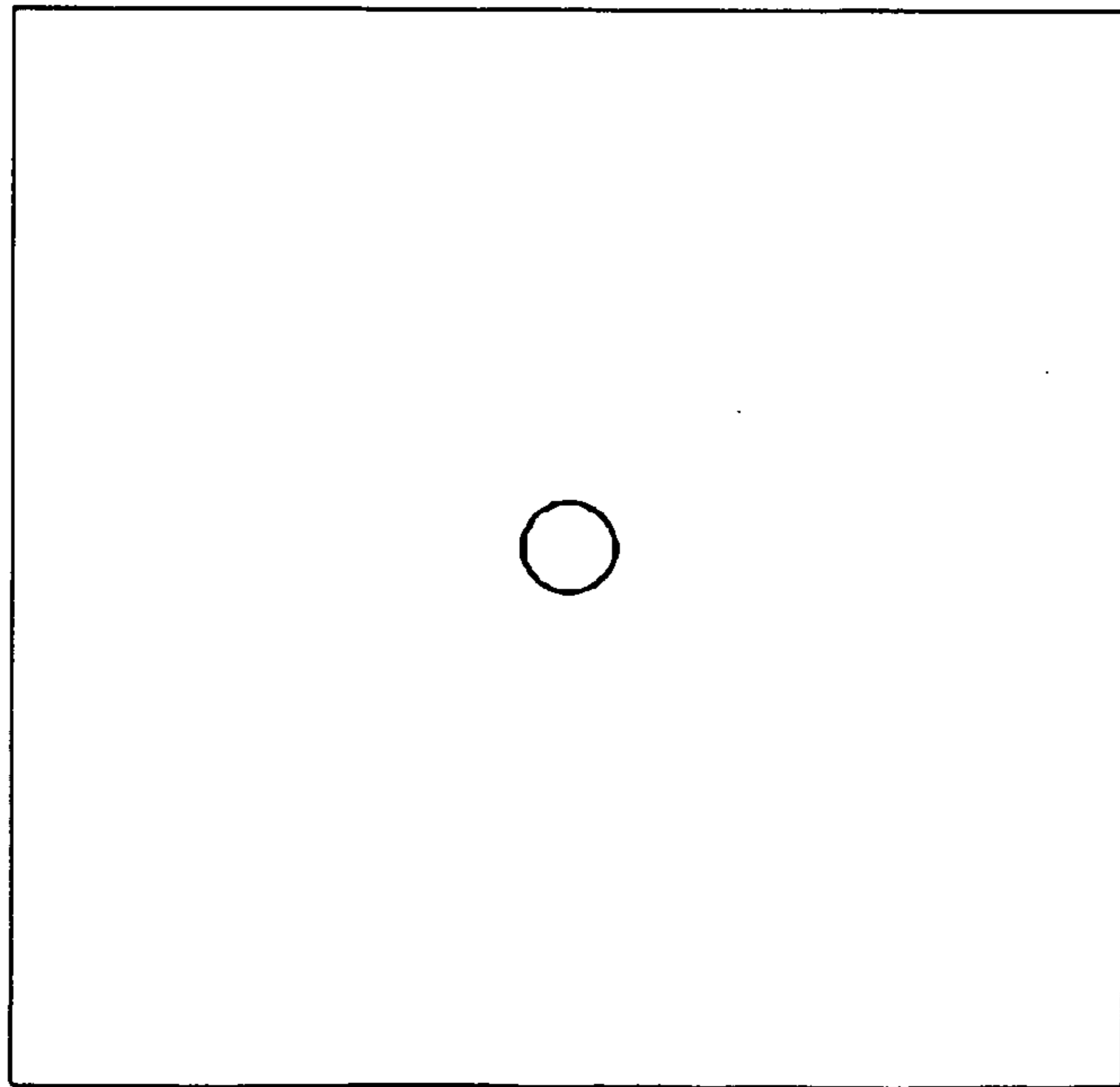


FIG. 3

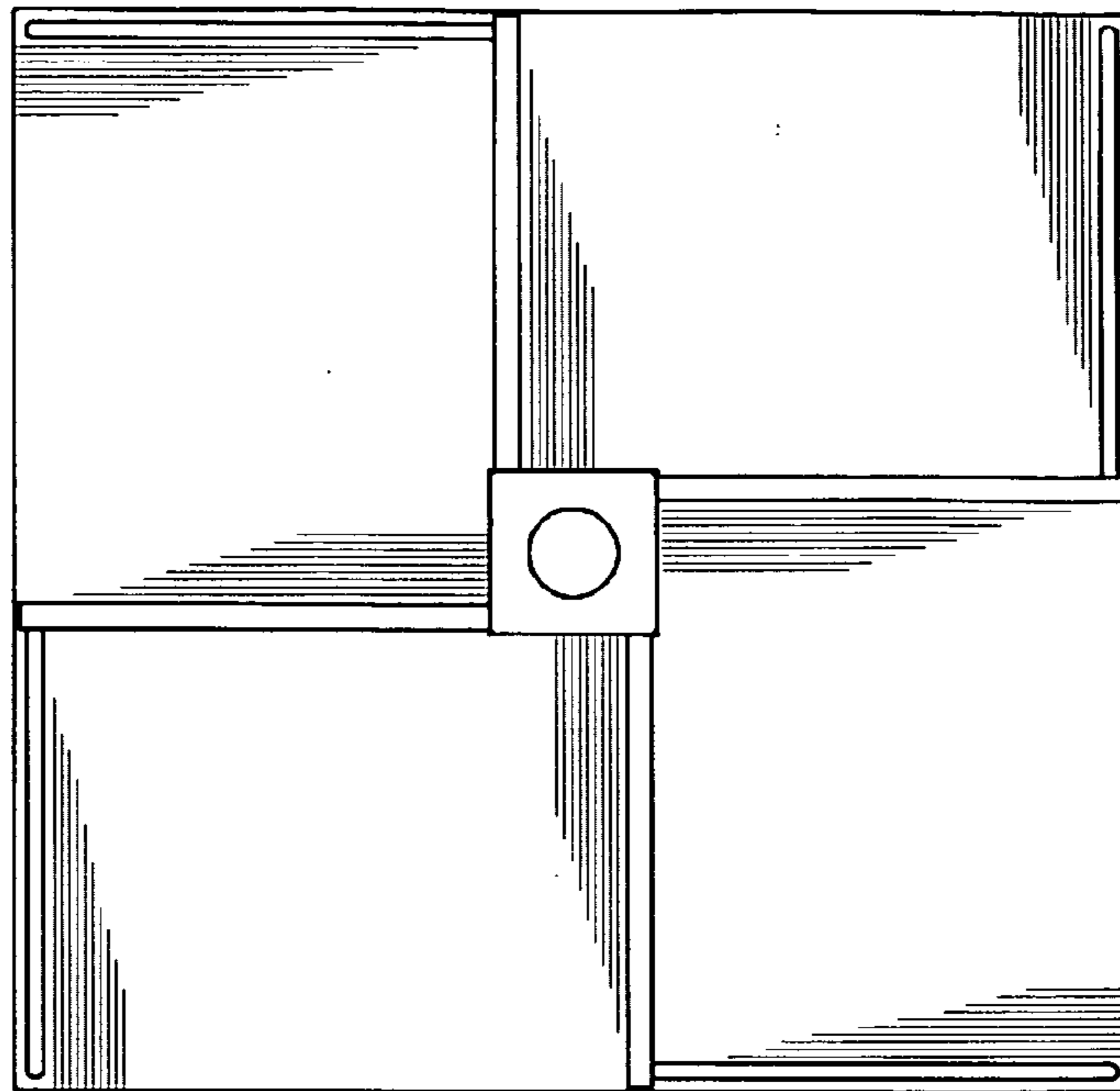


FIG. 4

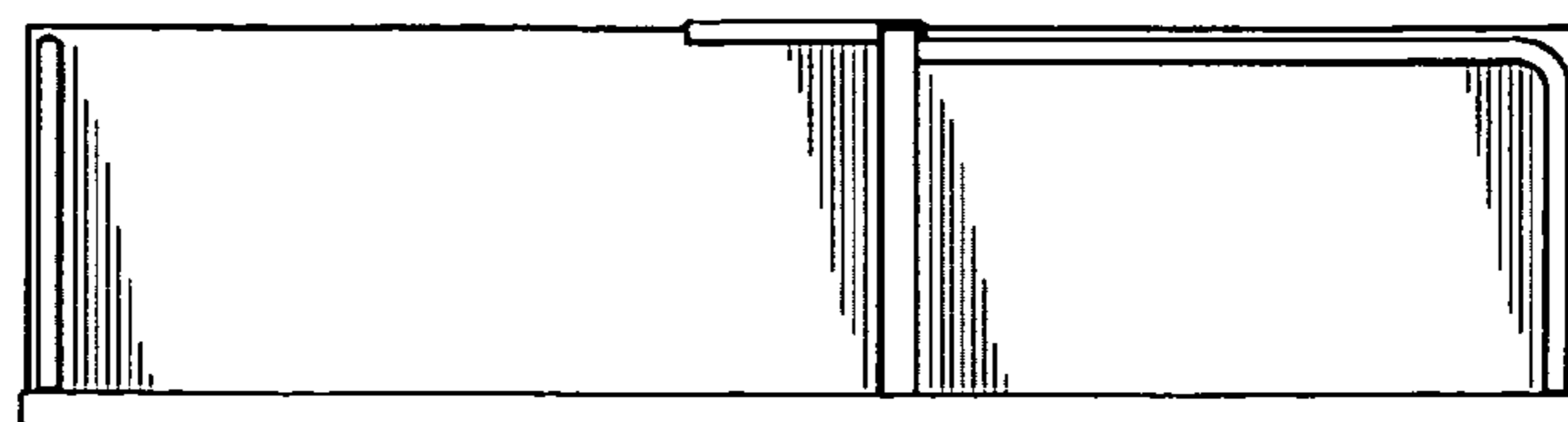


FIG. 5

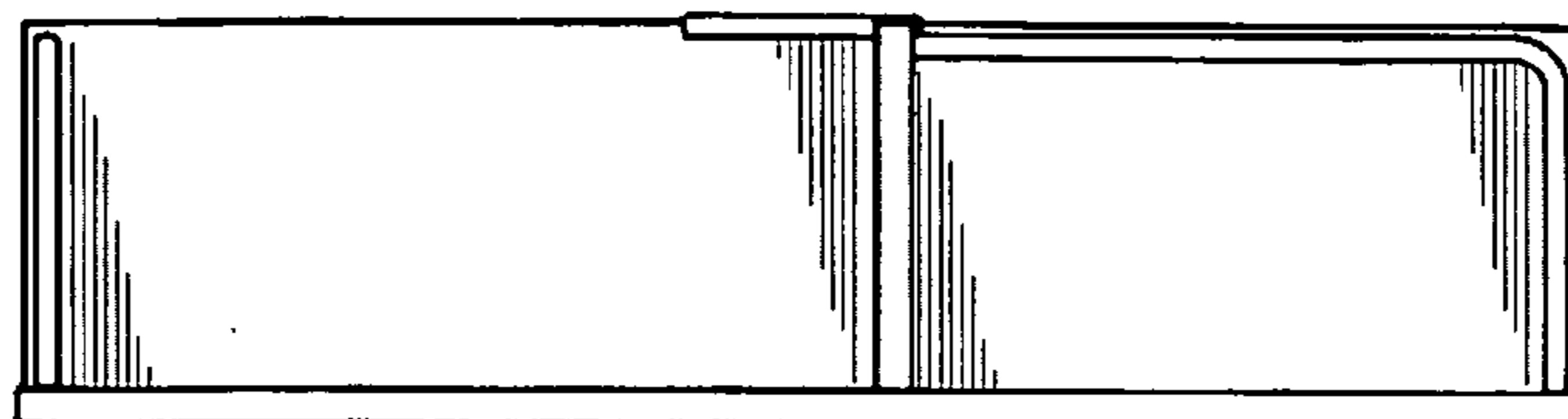


FIG. 6

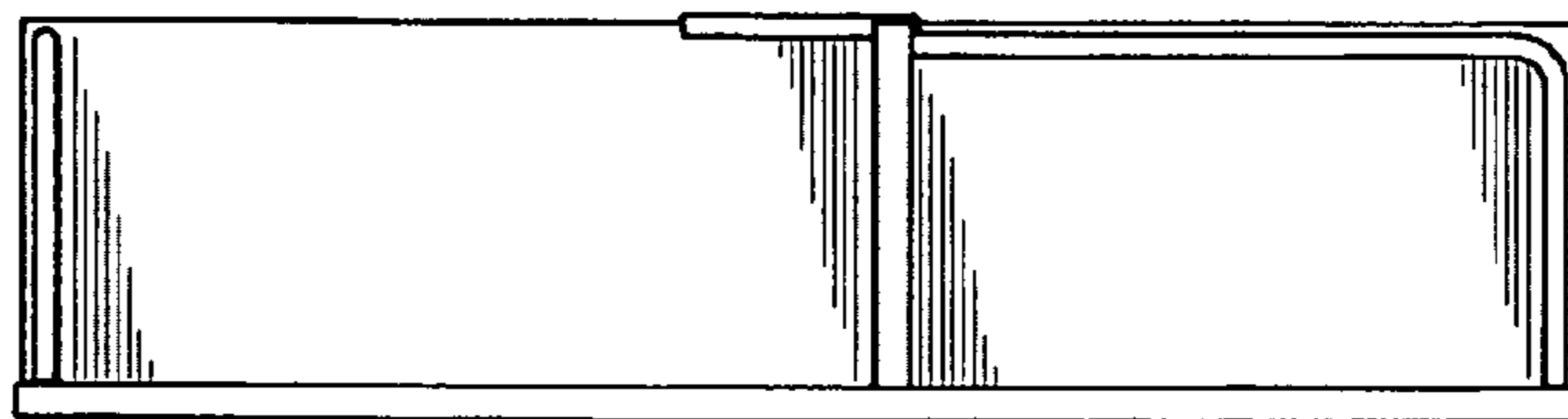


FIG. 7

