



US00D624764S

(12) **United States Design Patent**
Gates et al.

(10) **Patent No.:** **US D624,764 S**

(45) **Date of Patent:** **** Oct. 5, 2010**

(54) **SHELVING TRAVERSE END**

(75) Inventors: **Fred Gates**, El Camino Village, CA (US); **Jorge Baez**, Lake Forest, CA (US)

(73) Assignee: **Cambro Manufacturing Co.**,
Huntington Beach, CA (US)

(**) Term: **14 Years**

(21) Appl. No.: **29/354,650**

(22) Filed: **Jan. 27, 2010**

(51) **LOC (9) Cl.** **08-05**

(52) **U.S. Cl.** **D6/381**

(58) **Field of Classification Search** D8/382,
D8/381, 380, 373, 360, 359, 358, 354, 349;
D3/24; D15/5, 199, 147, 138; 474/7, 66,
474/47-53, 29, 198, 196, 161; 315/15; 248/638,
248/636, 250, 235, 200; 242/532.6, 530.3,
242/476.6, 118.6; 239/197; 160/315; 137/355.26,
137/355.5, 355.19, 355.16; 108/157.13,
108/147.12-147.17

See application file for complete search history.

(56) **References Cited**

U.S. PATENT DOCUMENTS

D498,664 S * 11/2004 Gates D8/381

D601,878 S * 10/2009 Funk D8/349

* cited by examiner

Primary Examiner—Susan Bennett Hattan

(74) *Attorney, Agent, or Firm*—George F. Bethel

(57) **CLAIM**

We claim the ornamental design for a shelving traverse end, as shown and described.

DESCRIPTION

FIG. 1 shows a perspective front left side and top view of the shelving traverse end.

FIG. 2 is a front elevation view thereof.

FIG. 3 is a left side elevation view thereof.

FIG. 4 is a top plan view thereof.

FIG. 5 is a right side elevation view thereof.

FIG. 6 is a back elevation view thereof.

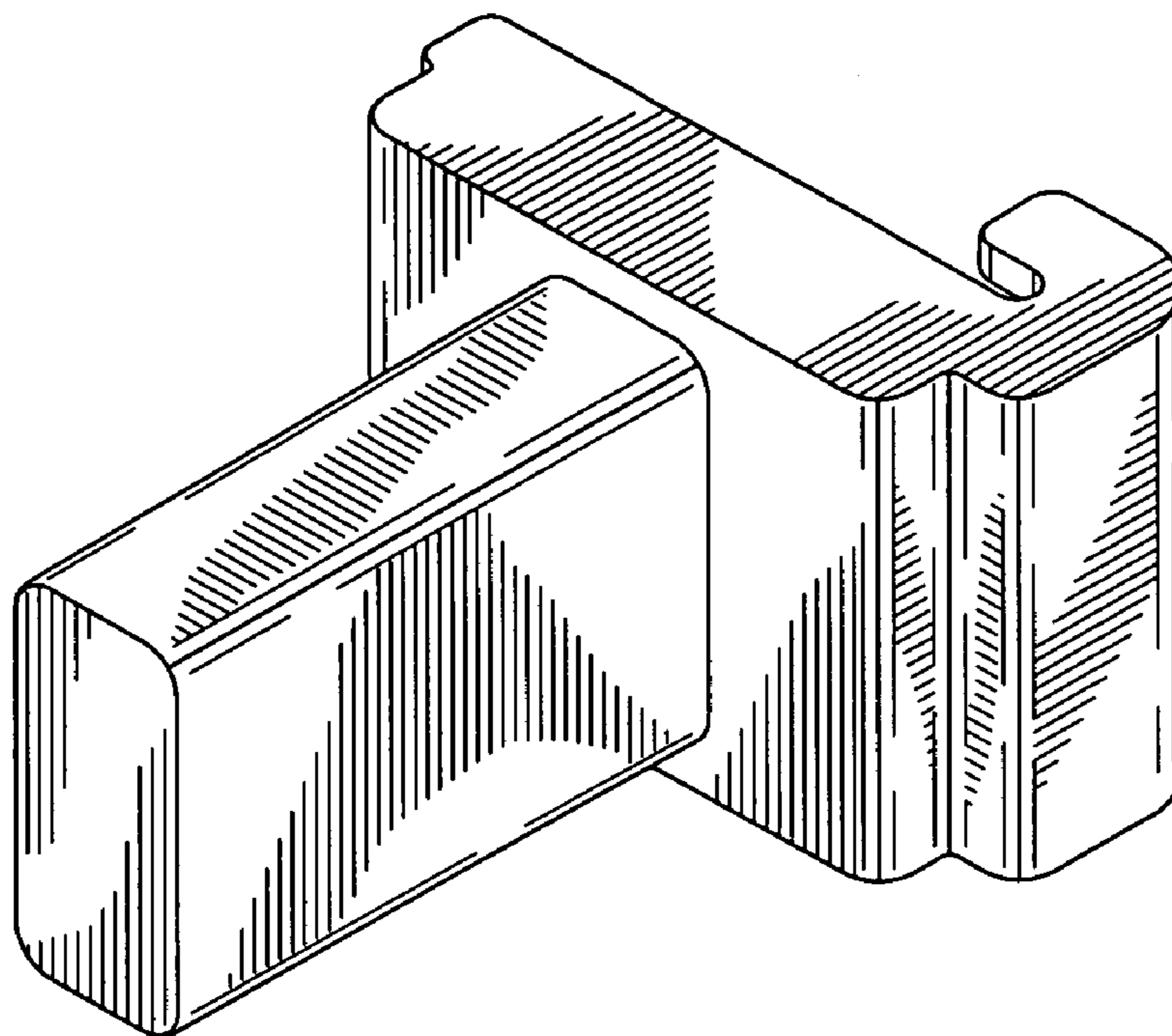
FIG. 7 is a bottom plan view thereof.

FIG. 8 is a perspective bottom right side elevation view thereof; and,

FIG. 9 is a perspective view of the shelving traverse end in use.

The broken lines in the drawing depict environmental subject matter only and form no part of the claimed design.

1 Claim, 3 Drawing Sheets



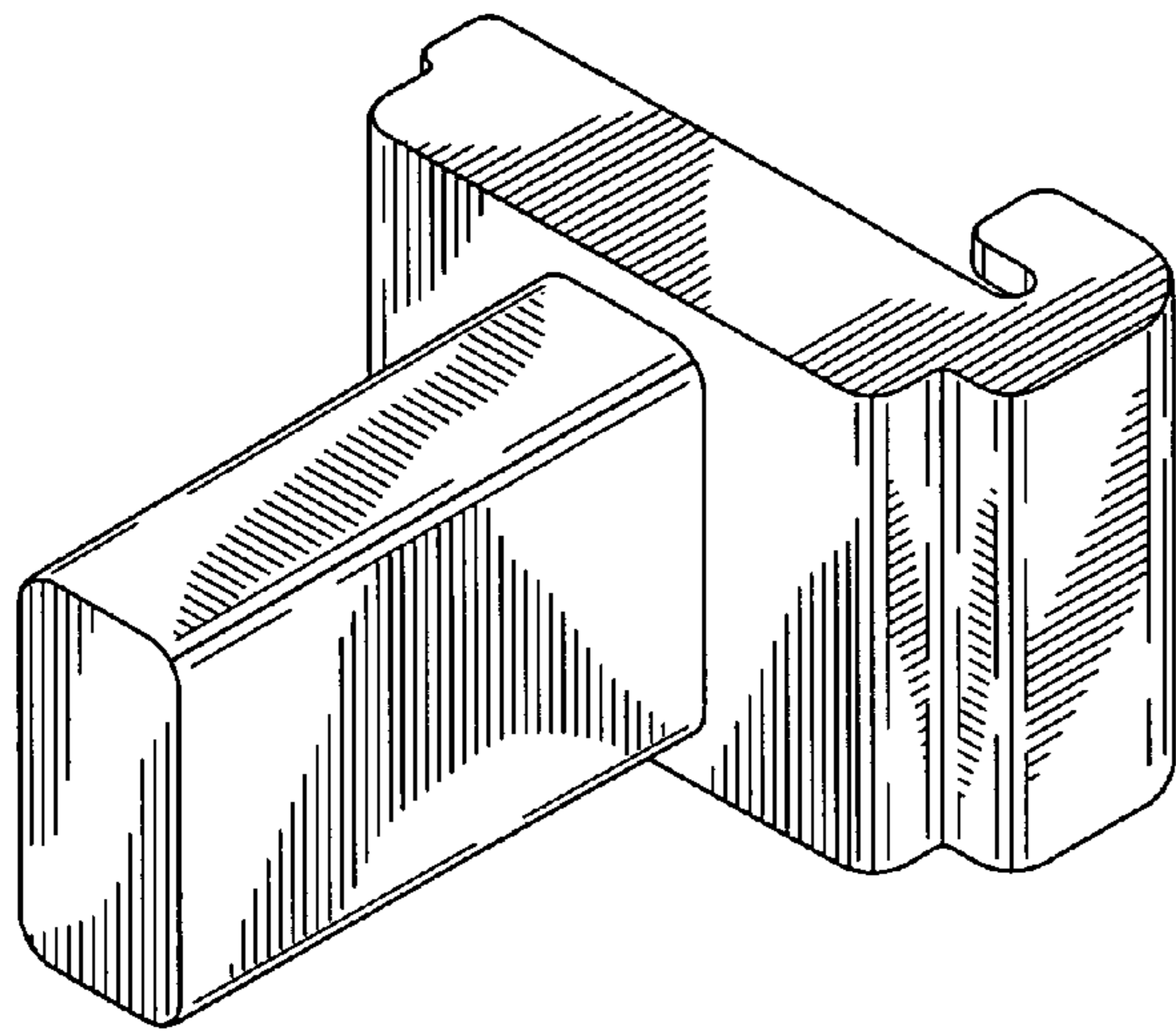


FIG. 1

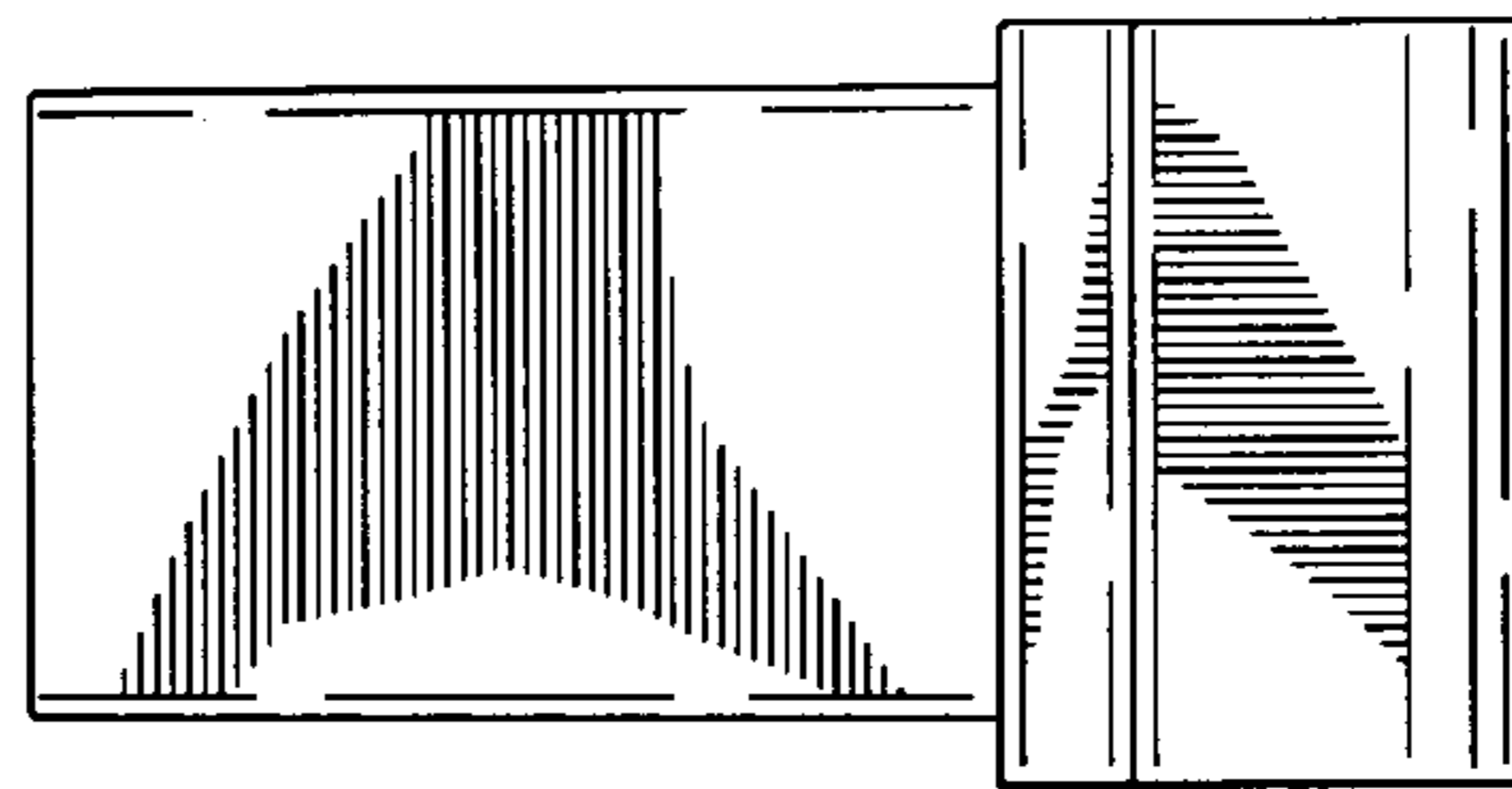


FIG. 2

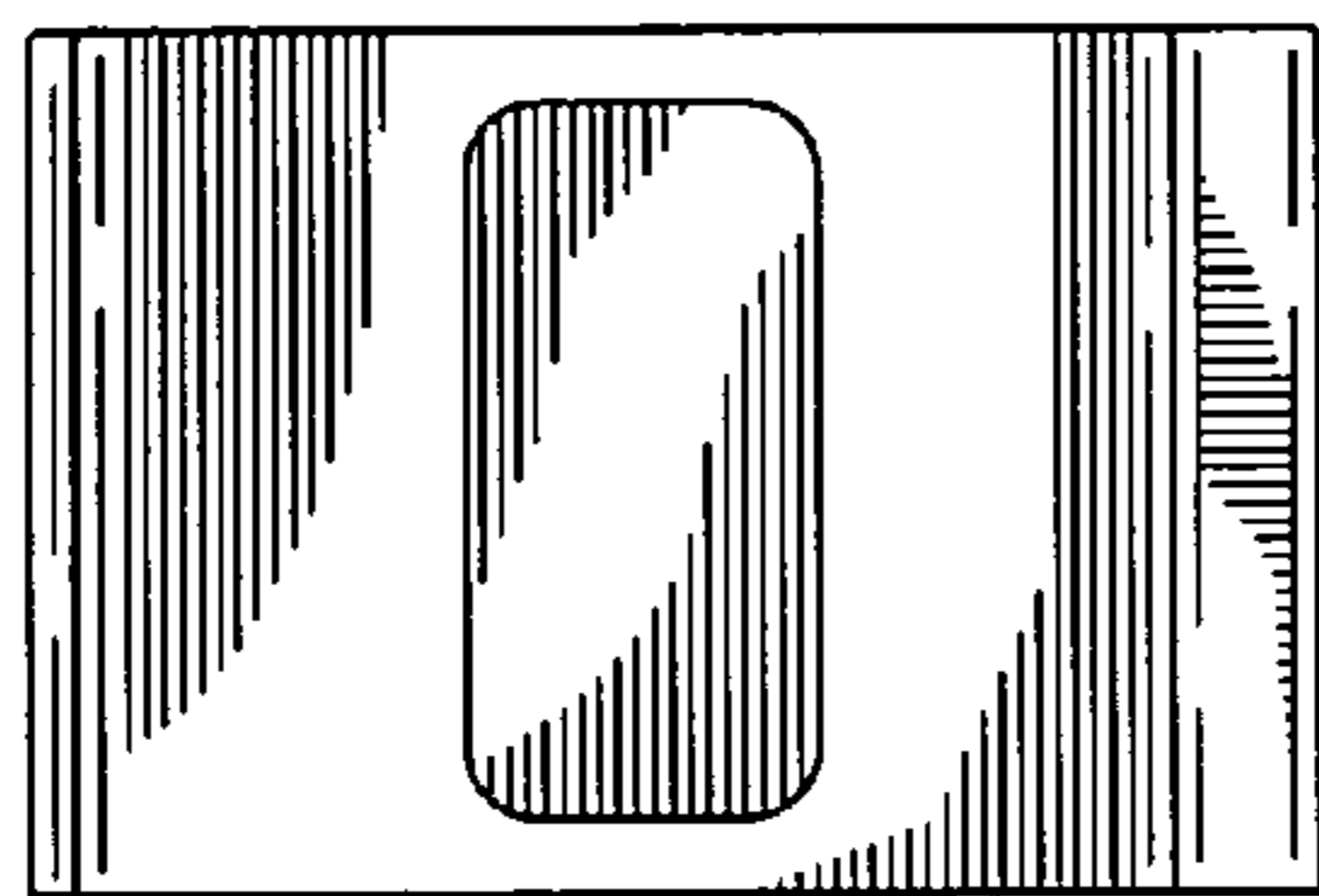


FIG. 3

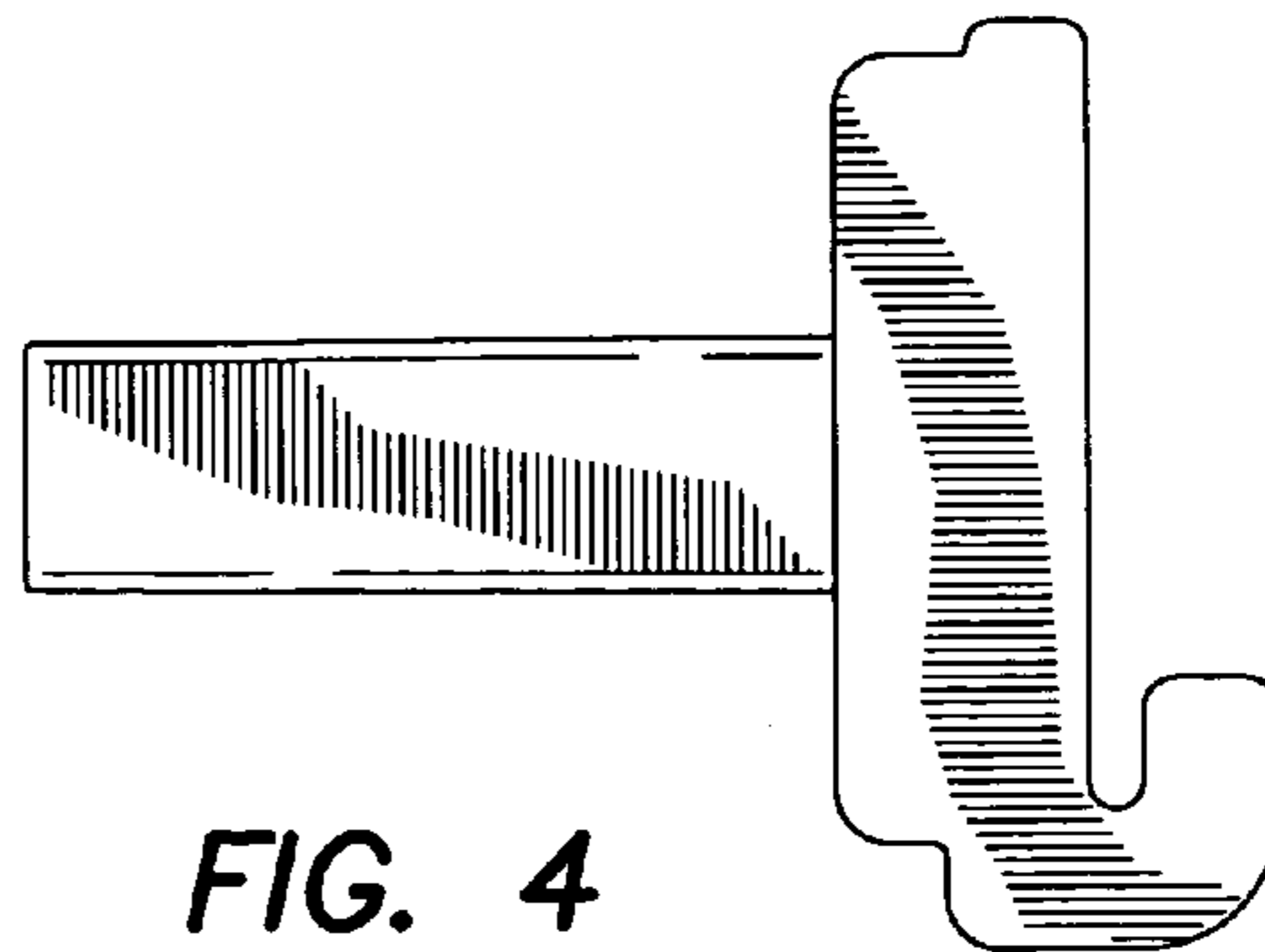


FIG. 4

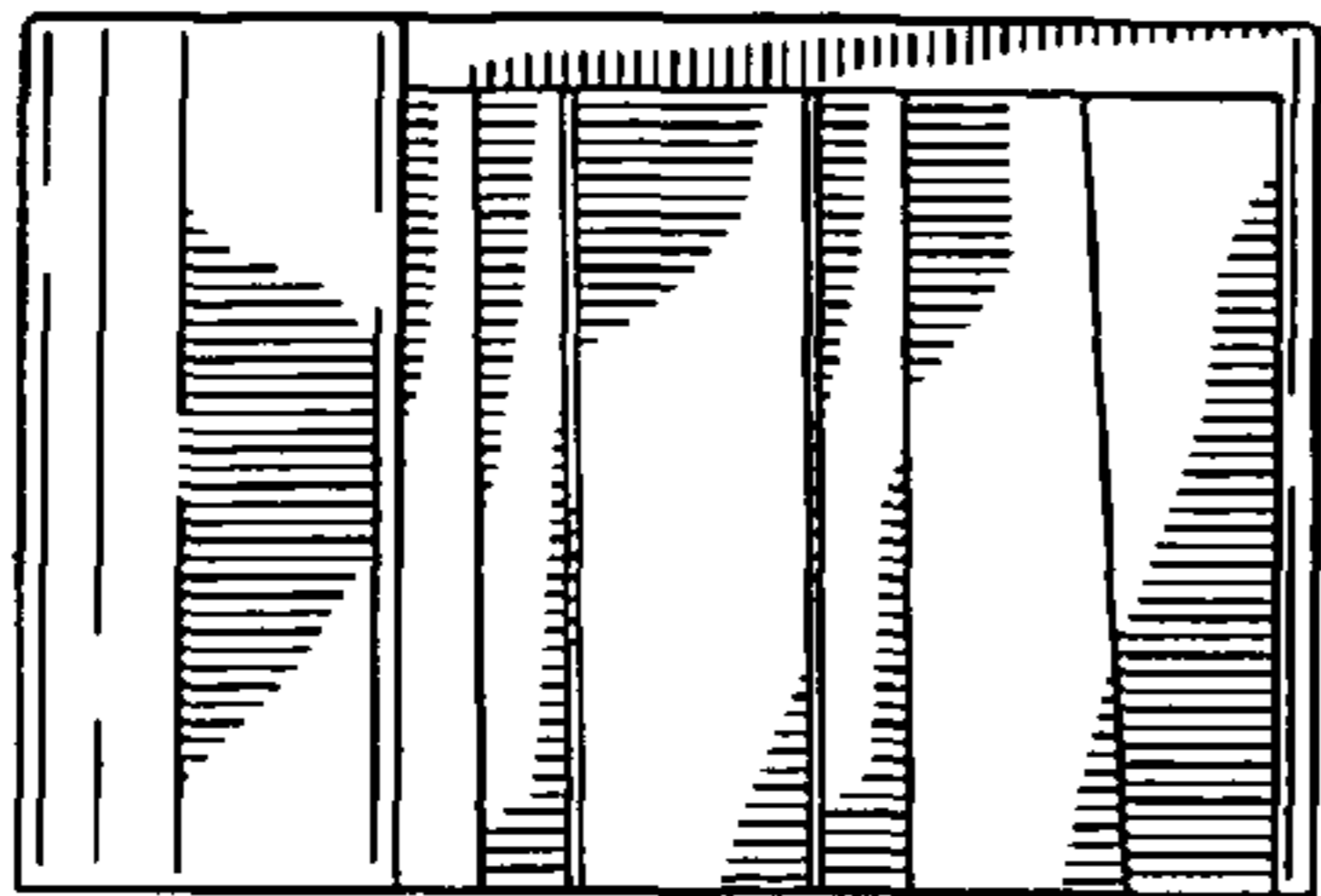


FIG. 5

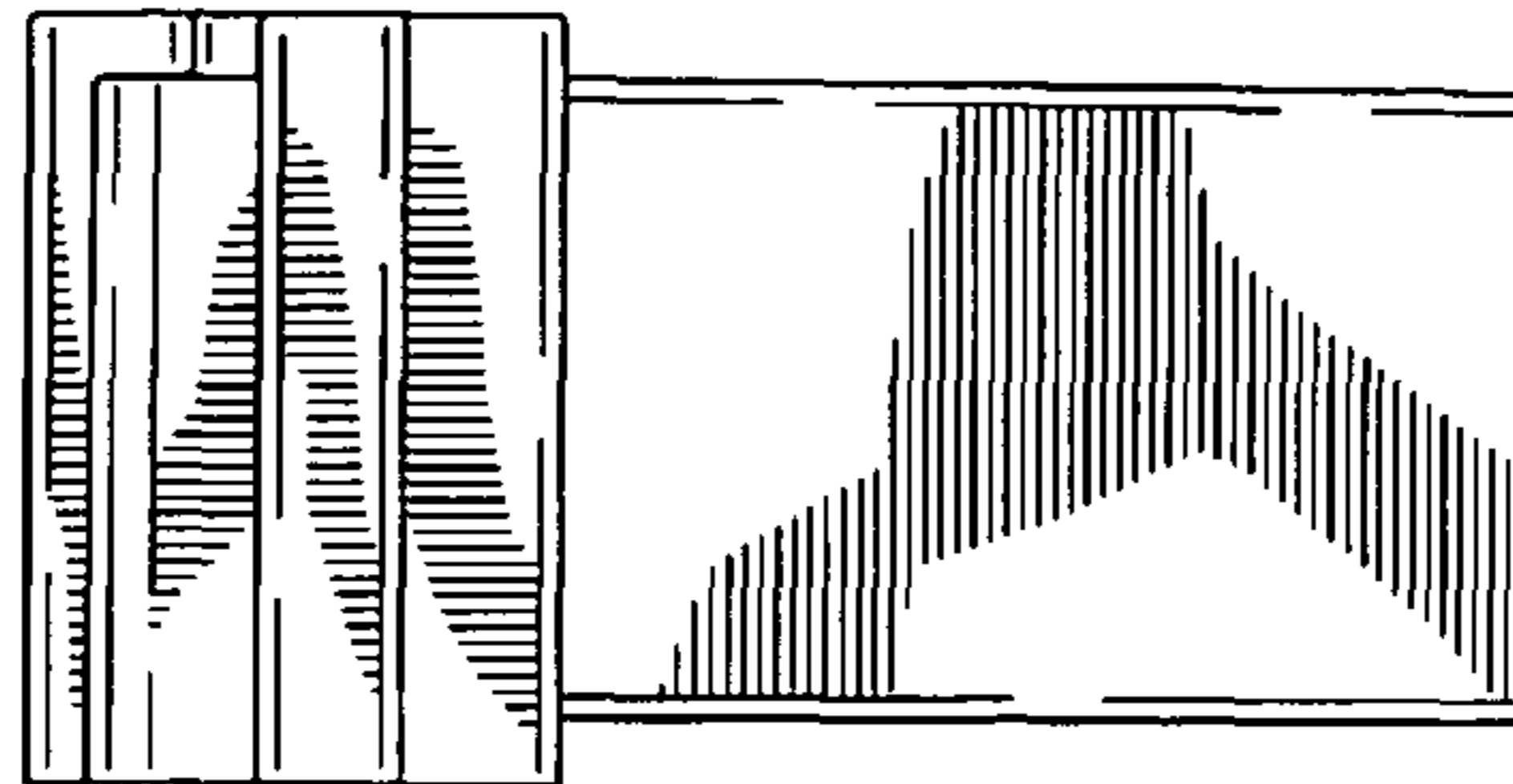


FIG. 6

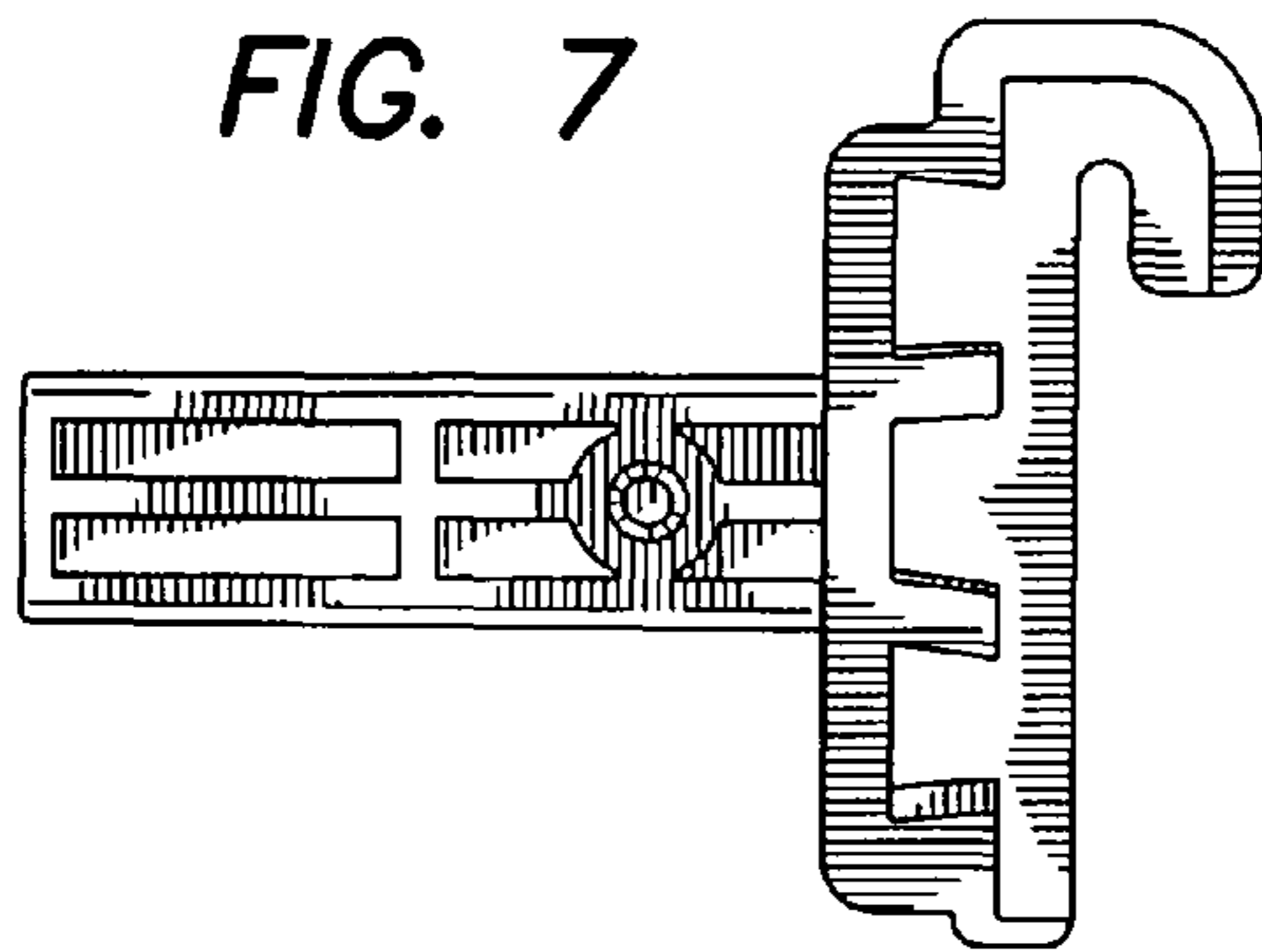


FIG. 7

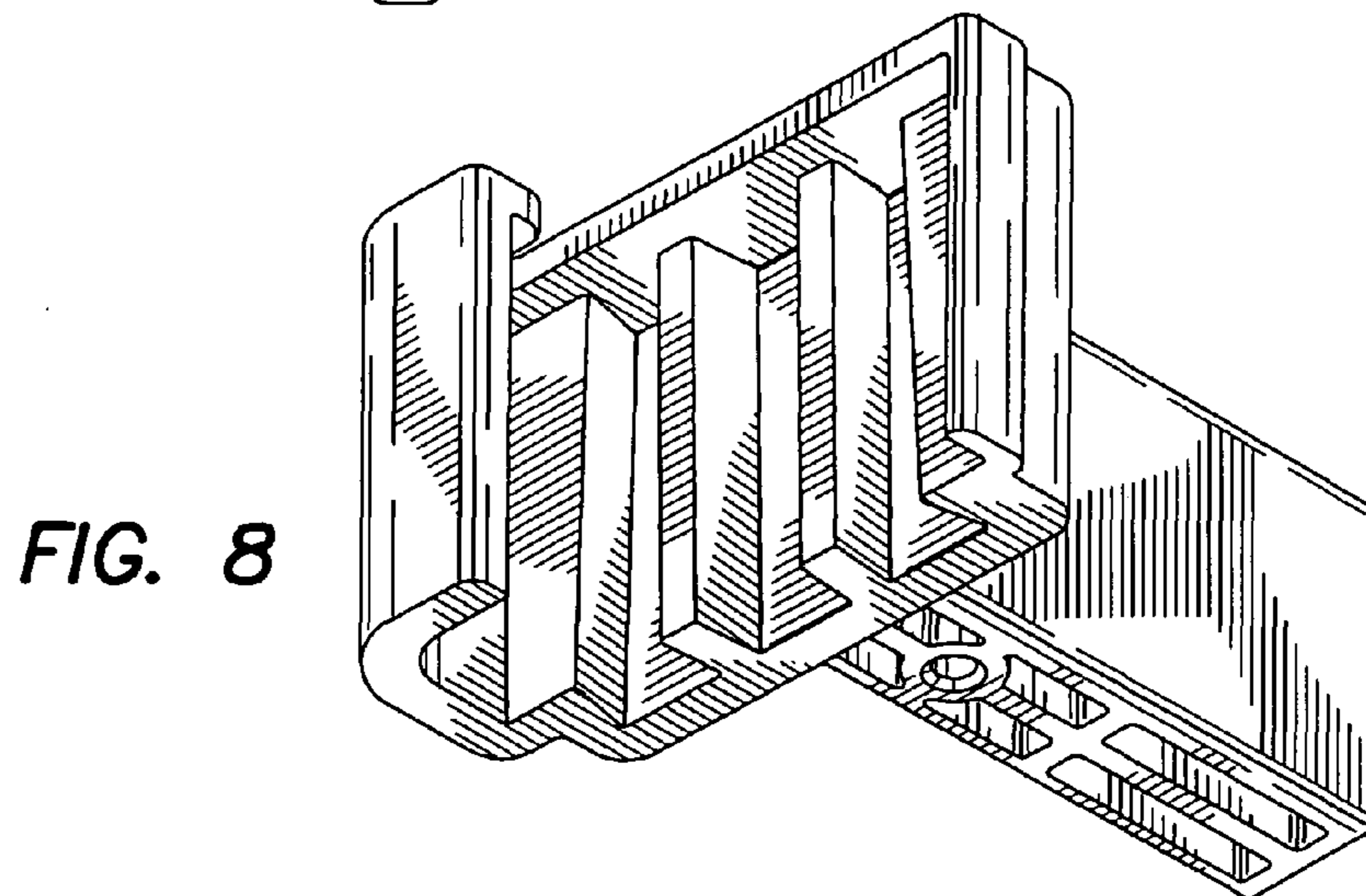


FIG. 8

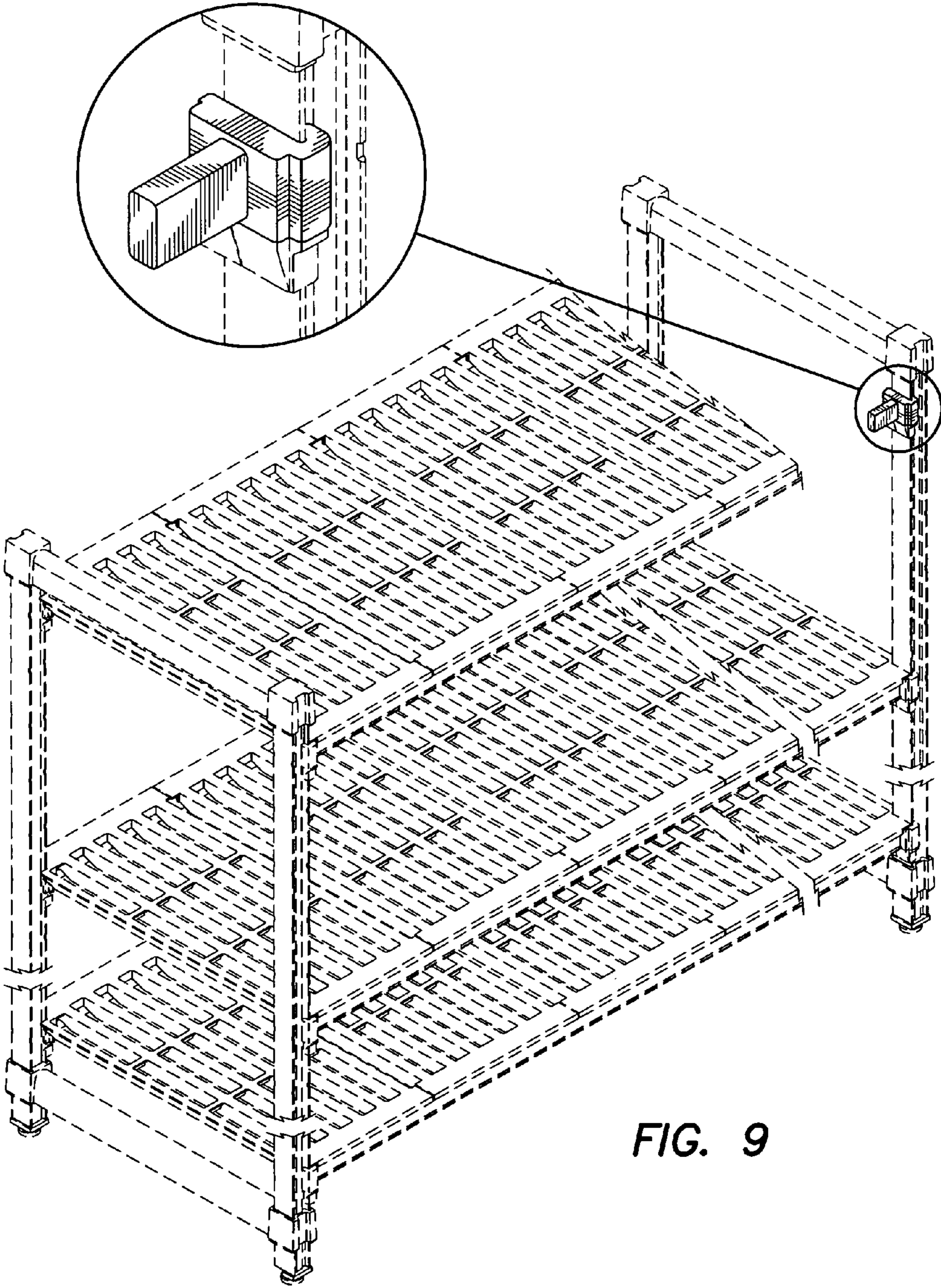


FIG. 9