



US00D624762S

(12) **United States Design Patent**
Podsiadlo

(10) **Patent No.:** **US D624,762 S**

(45) **Date of Patent:** **** Oct. 5, 2010**

(54) **ROCKING CHAIR**

(75) Inventor: **David Podsiadlo**, Toronto (CA)

(73) Assignee: **Gus Design Group, Inc.**, Toronto,
Ontario (CA)

(**) Term: **14 Years**

(21) Appl. No.: **29/350,434**

(22) Filed: **Nov. 17, 2009**

(30) **Foreign Application Priority Data**

Sep. 10, 2009 (CA) 132117

(51) **LOC (9) Cl.** **06-01**

(52) **U.S. Cl.** **D6/348**

(58) **Field of Classification Search** D6/334-336,
D6/344, 348, 370, 371, 373, 374, 375, 376,
D6/379, 380, 500-502; 297/258.1, 271.5,
297/271.6, 448.2

See application file for complete search history.

(56) **References Cited**

U.S. PATENT DOCUMENTS

D193,138 S * 7/1962 Ohlsson D6/379
D235,235 S * 6/1975 Blodee D6/373
D239,223 S * 3/1976 Smith D6/348

D260,706 S * 9/1981 Zapf D6/373
D265,955 S * 8/1982 Raftery et al. D6/373
D271,728 S * 12/1983 Burns D6/348
D460,631 S * 7/2002 Fick D6/344
D556,465 S * 12/2007 Massaud D6/348

* cited by examiner

Primary Examiner—Mimosa De

(74) *Attorney, Agent, or Firm*—Harris Beach LLP; Neal L. Slifkin

(57) **CLAIM**

The ornamental design of a rocking chair, as shown and described.

DESCRIPTION

FIG. 1 is a perspective view of a rocking chair showing my design;

FIG. 2 is a front elevation view thereof;

FIG. 3 is rear elevation view thereof;

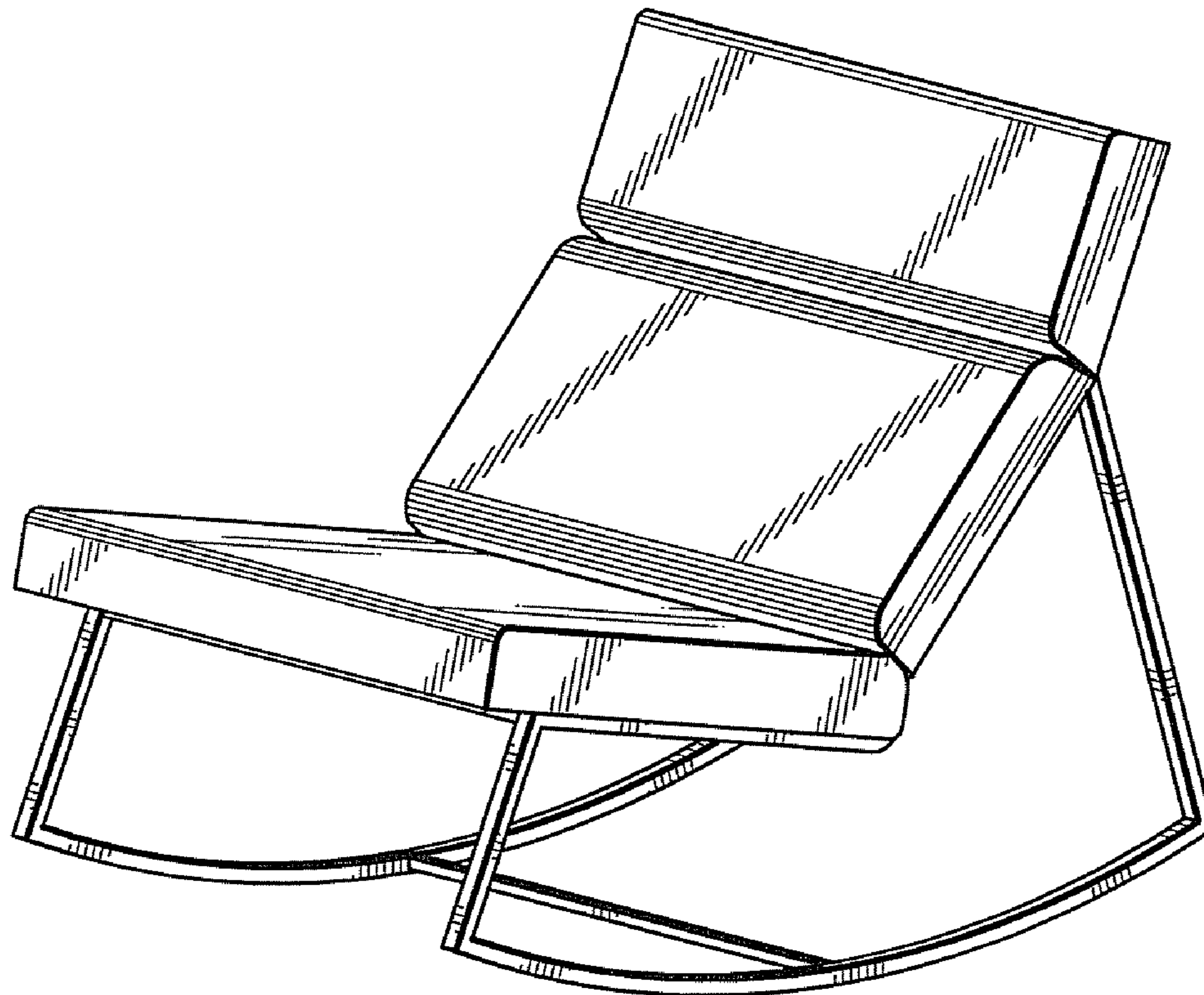
FIG. 4 is a right side elevation view thereof;

FIG. 5 is a left side elevation view thereof;

FIG. 6 is a top plan view thereof; and,

FIG. 7 is a bottom plan view thereof.

1 Claim, 4 Drawing Sheets



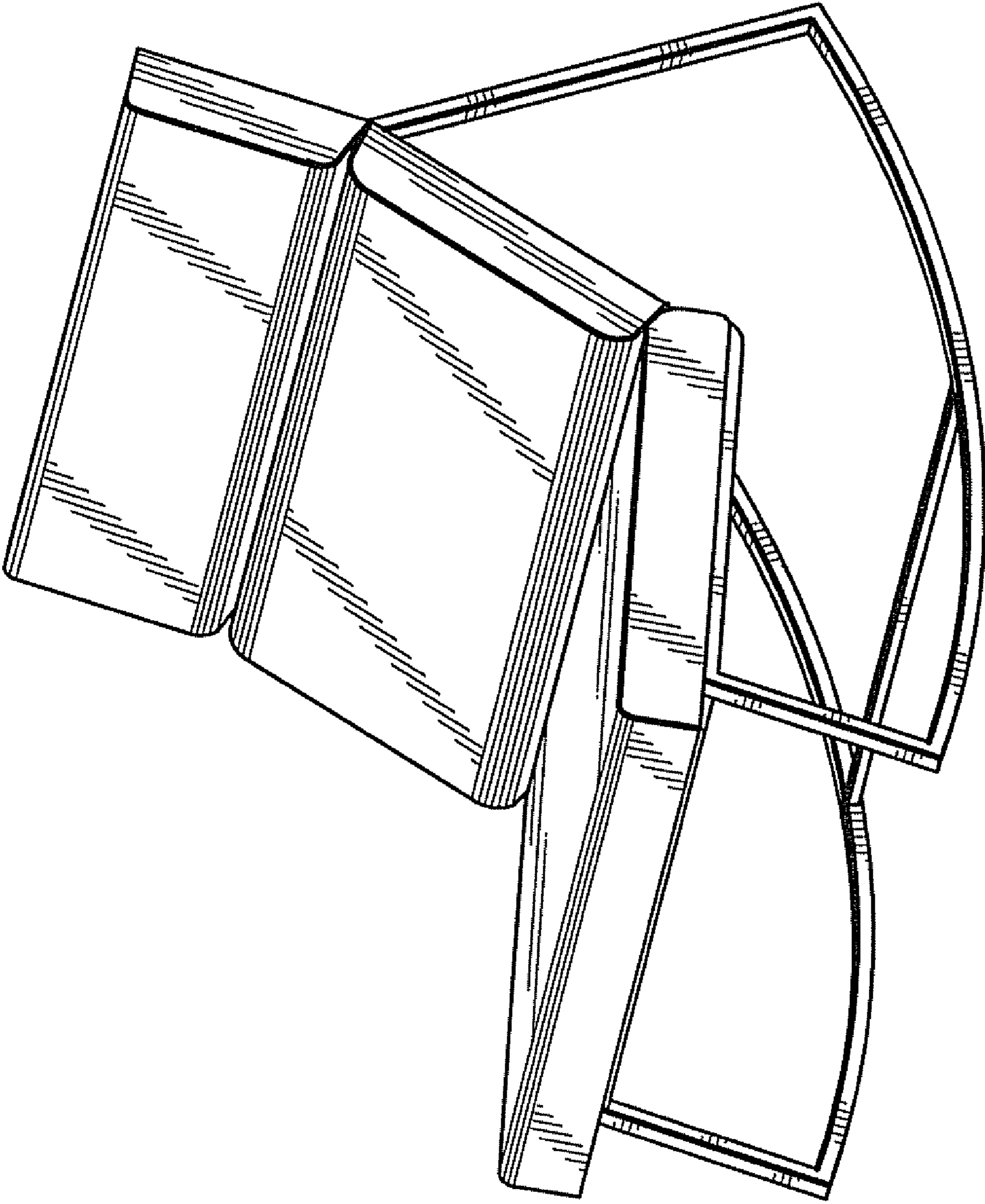


FIG. 1

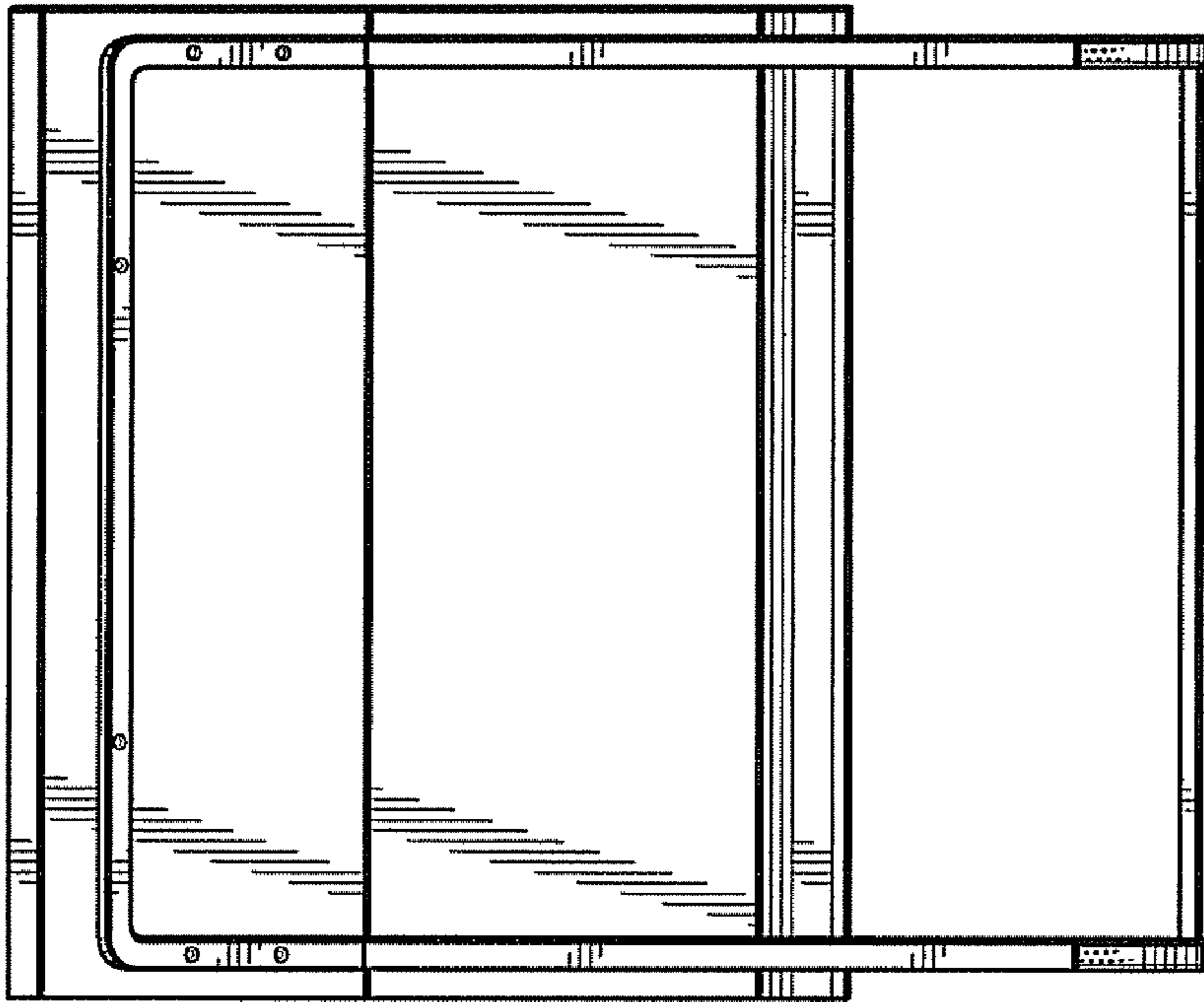


FIG. 3

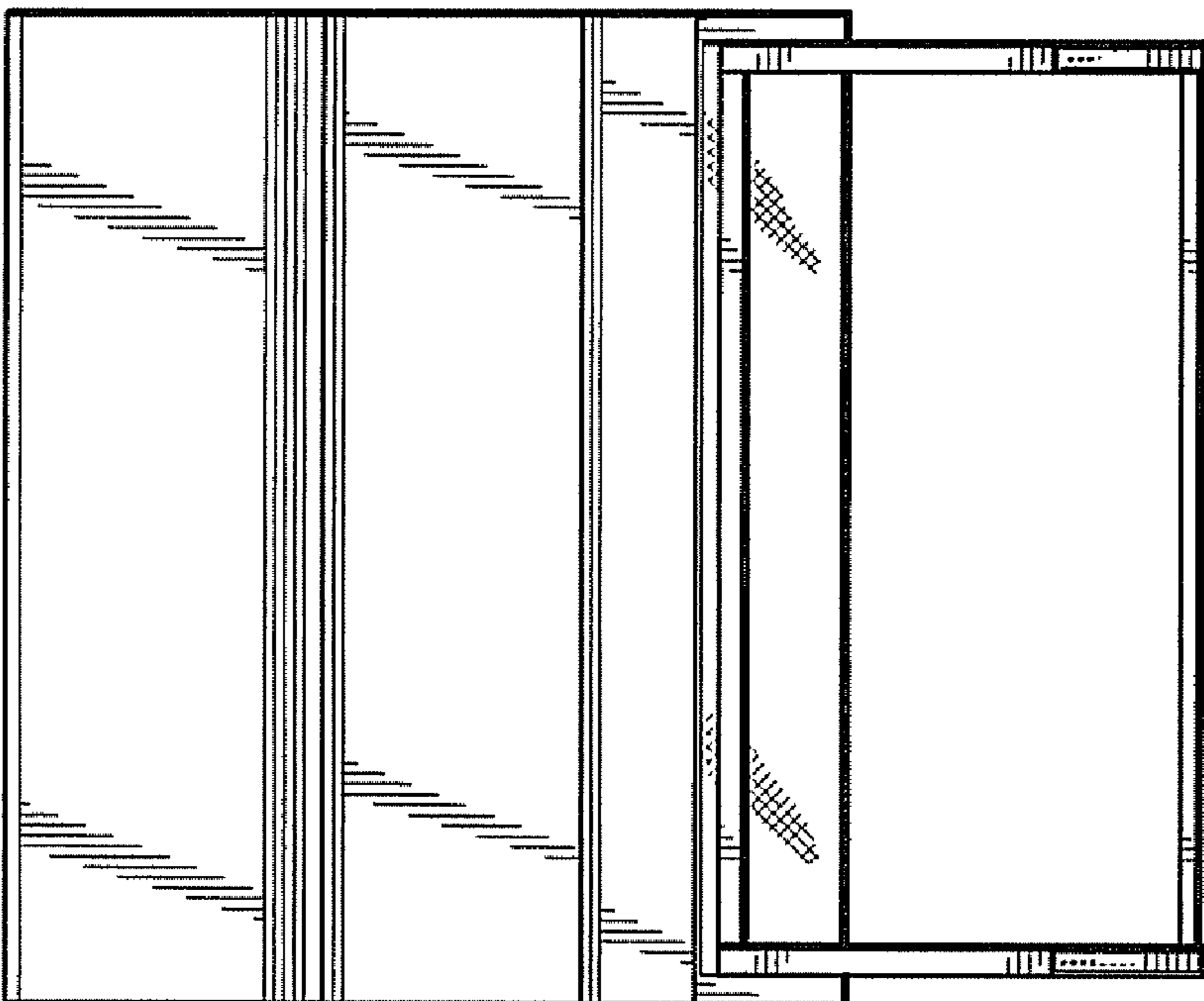


FIG. 2

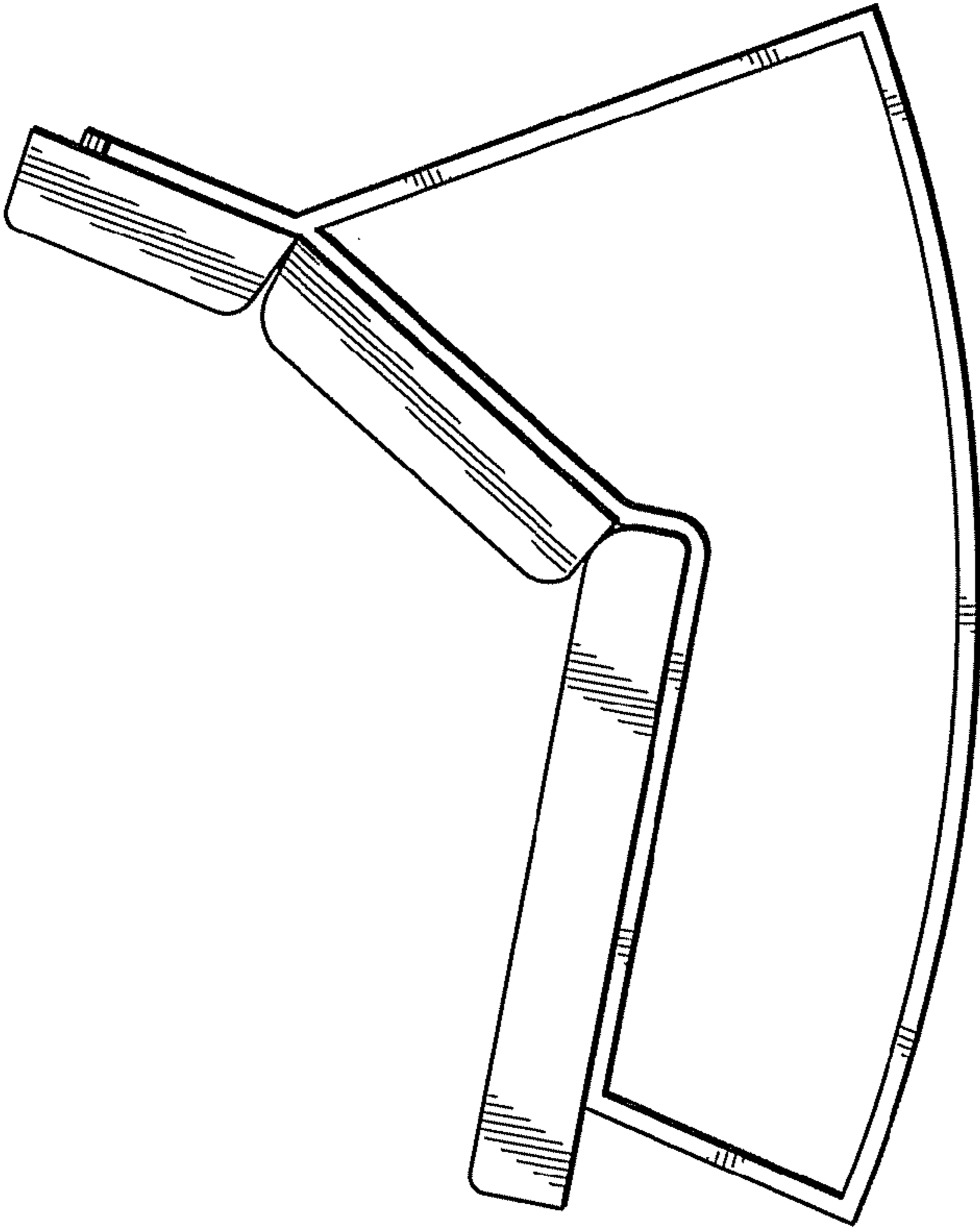


FIG. 5

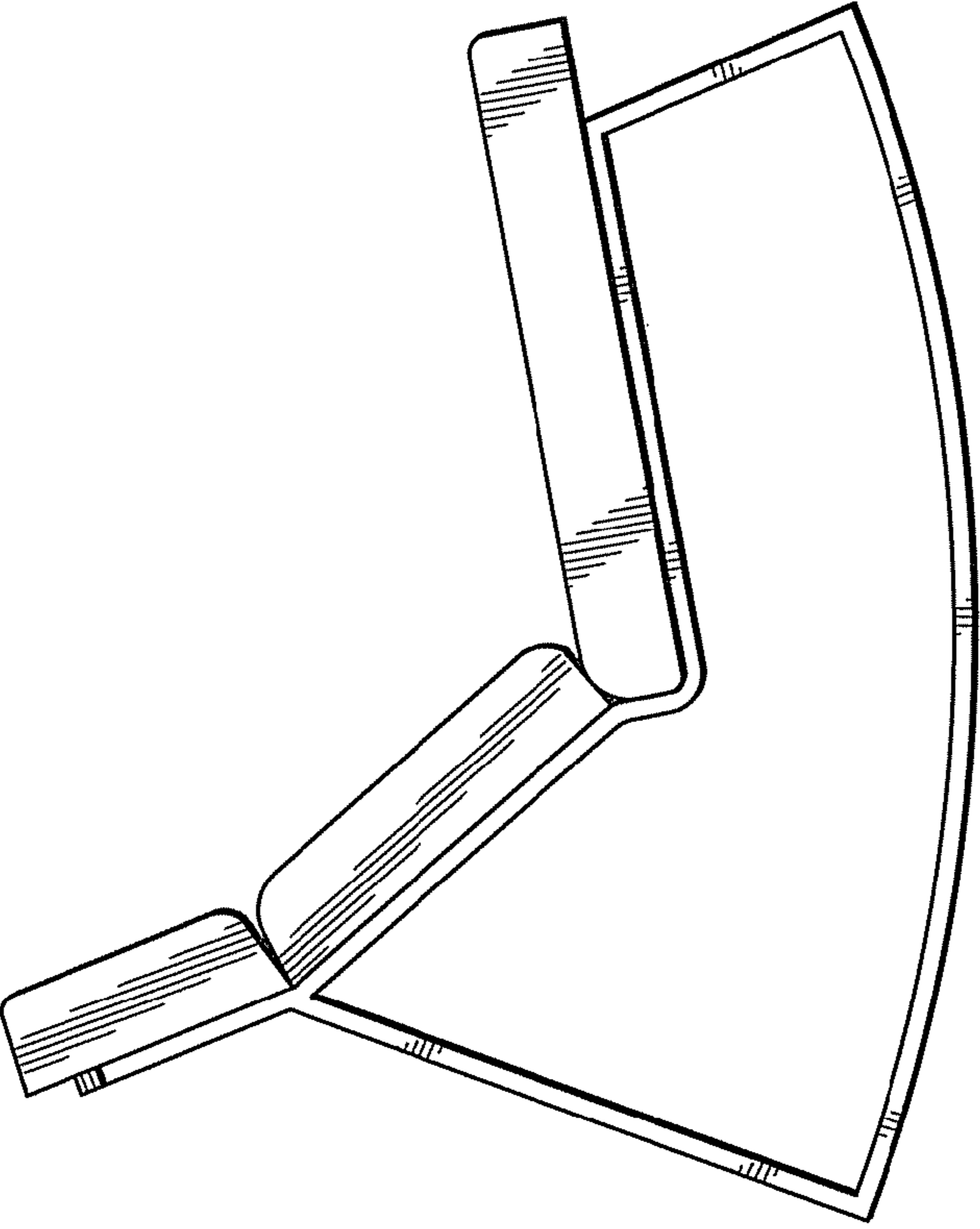


FIG. 4

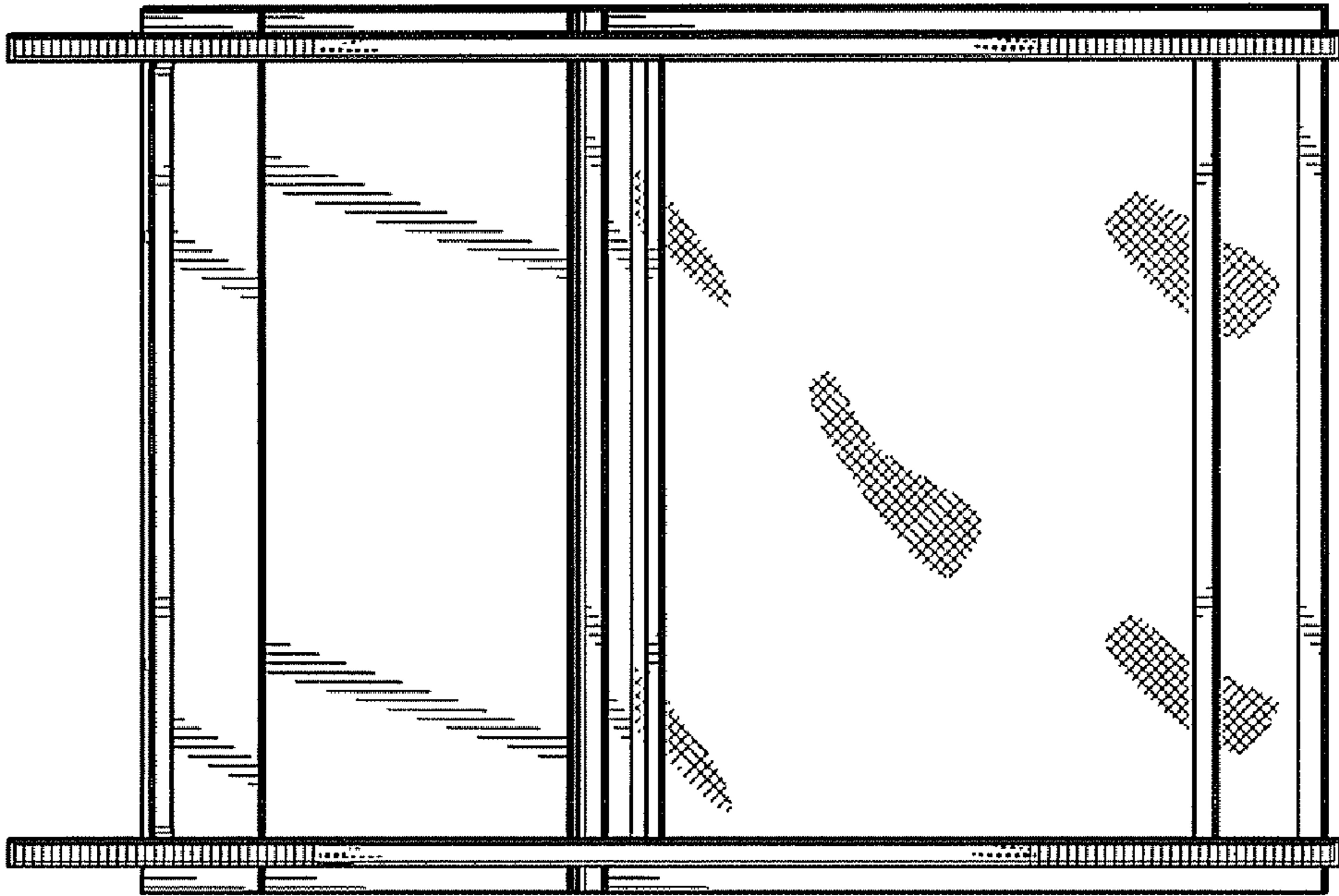


FIG. 7

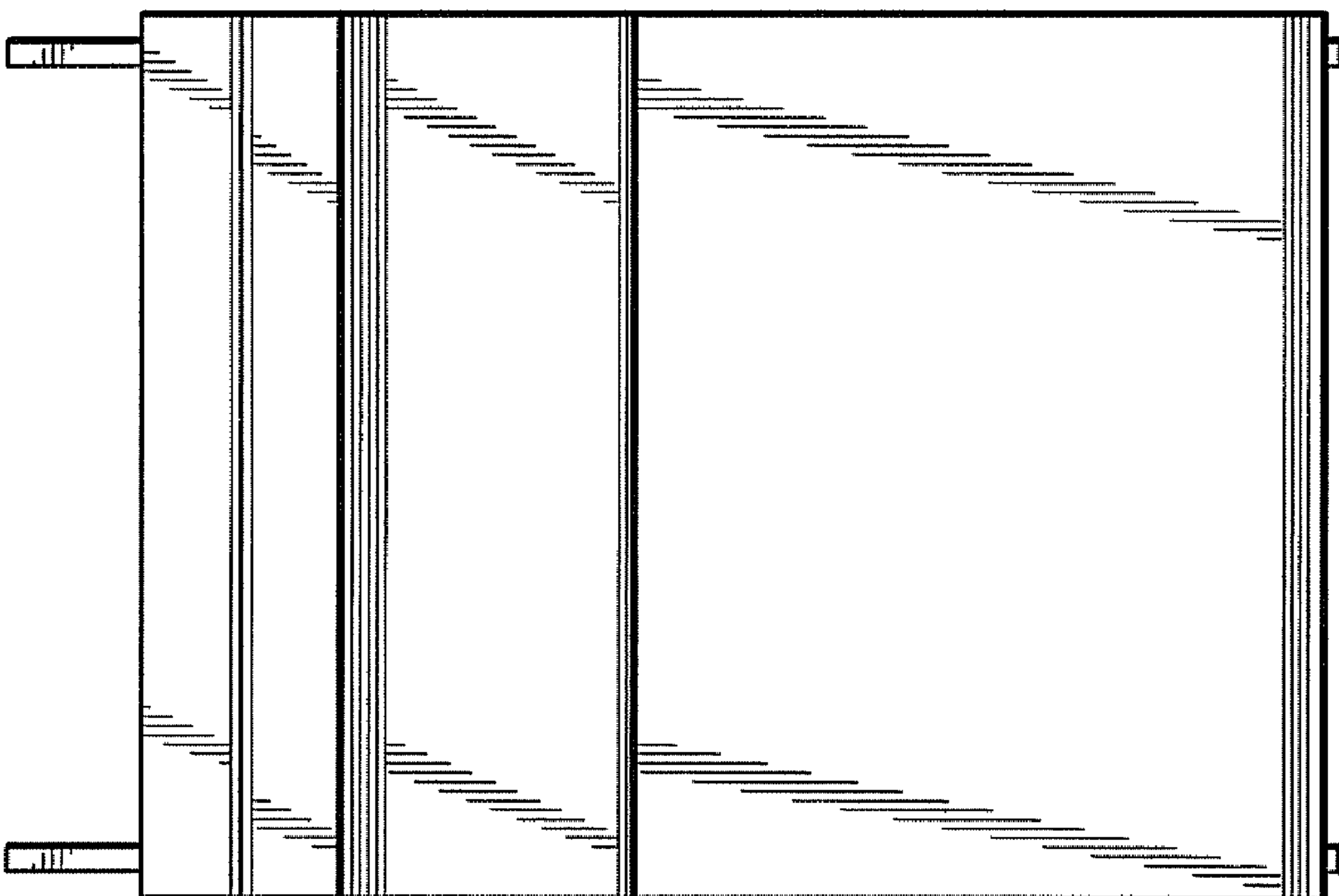


FIG. 6