



US00D624760S

(12) **United States Design Patent**
Hartenstine et al.

(10) **Patent No.:** **US D624,760 S**

(45) **Date of Patent:** **** Oct. 5, 2010**

(54) **CHILD SAFETY SEAT**

(75) Inventors: **Curtis M. Hartenstine**, Birdsboro, PA
(US); **Sharon A. Gillett**, Salem, OR
(US); **Robert E. Haut**, West Chester, PA
(US); **Michael H. Gillett**, Salem, OR
(US)

(73) Assignee: **Wonderland Nurserygoods Co., Ltd**,
Taipei (TW)

(**) Term: **14 Years**

(21) Appl. No.: **29/339,770**

(22) Filed: **Jul. 7, 2009**

(51) **LOC (9) Cl.** **06-01**

(52) **U.S. Cl.** **D6/333**

(58) **Field of Classification Search** D6/333,
D6/335, 339, 491, 500-502; D12/129; D21/412,
D21/419; 280/30, 31; 5/94, 98.1, 99.1, 101,
5/102, 105, 655; 297/183.1, 183.2, 183.3,
297/183.4, 184.13, 184.15, 184.17, 250.1,
297/255, 256.1, 256.15, 256.16; 24/200,
24/211

See application file for complete search history.

(56) **References Cited**

U.S. PATENT DOCUMENTS

D262,242 S * 12/1981 Molnar D6/333
D272,692 S * 2/1984 Hallgren D6/333
D278,482 S * 4/1985 Takada D6/333
D360,307 S * 7/1995 Kain D6/333
D365,691 S * 1/1996 Sedlack D6/333
D376,917 S * 12/1996 Kain D6/333

D383,316 S * 9/1997 Kain D6/333
D385,116 S * 10/1997 Kiser et al. D6/333
D453,631 S * 2/2002 Kassai et al. D6/333
D461,646 S * 8/2002 Kain D6/333
D558,990 S * 1/2008 Glance D6/333
D560,375 S * 1/2008 Grohs D6/333
D600,027 S * 9/2009 Martin et al. D6/333

* cited by examiner

Primary Examiner—Sandra Snapp

(74) *Attorney, Agent, or Firm*—Rajesh Vallabh; Foley Hoag
LLP

(57) **CLAIM**

The ornamental design for child safety seat, as shown and
described.

DESCRIPTION

FIG. 1 is a perspective view of child safety seat showing my
new design;

FIG. 2 is a front elevational view thereof;

FIG. 3 is a rear elevational view thereof;

FIG. 4 is a left side elevational view thereof;

FIG. 5 is a right side elevational view thereof;

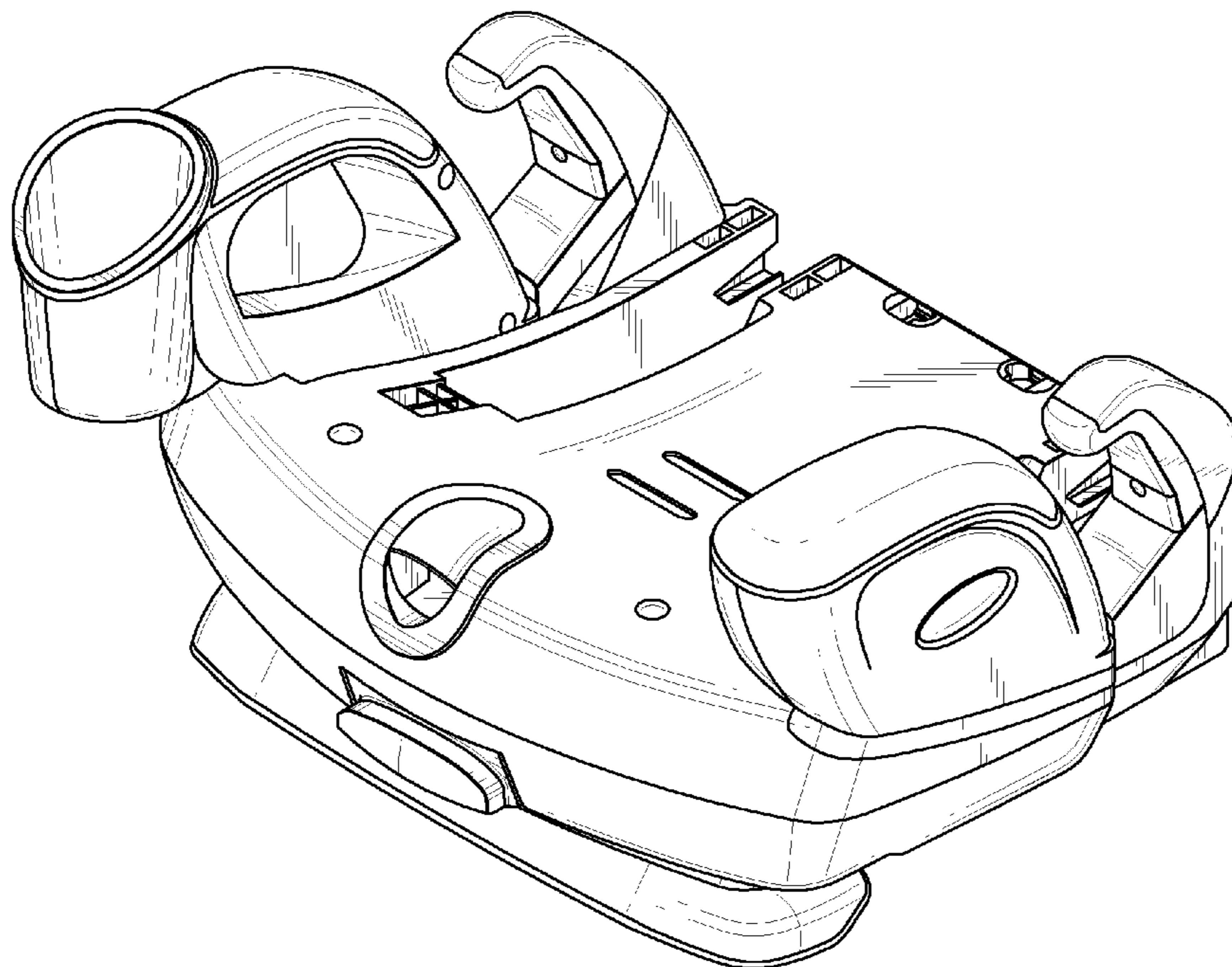
FIG. 6 is a top plan view thereof;

FIG. 7 is a bottom plan view thereof; and,

FIG. 8 is another perspective view in use; the portions shown
in dashed lines do not form part of the design.

The portions of the child safety seat shown in broken lines
form no part of the claimed design.

1 Claim, 6 Drawing Sheets



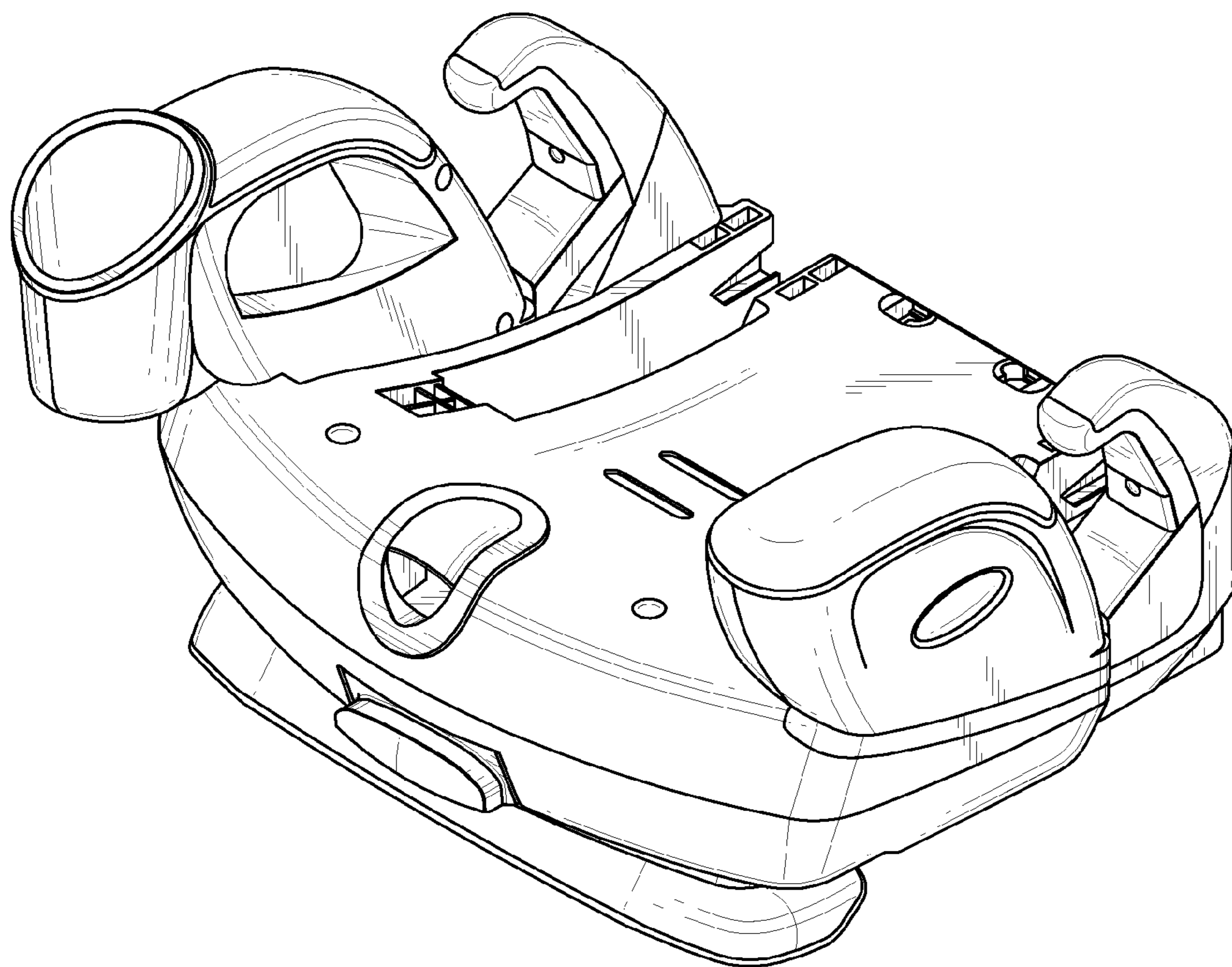


FIG. 1

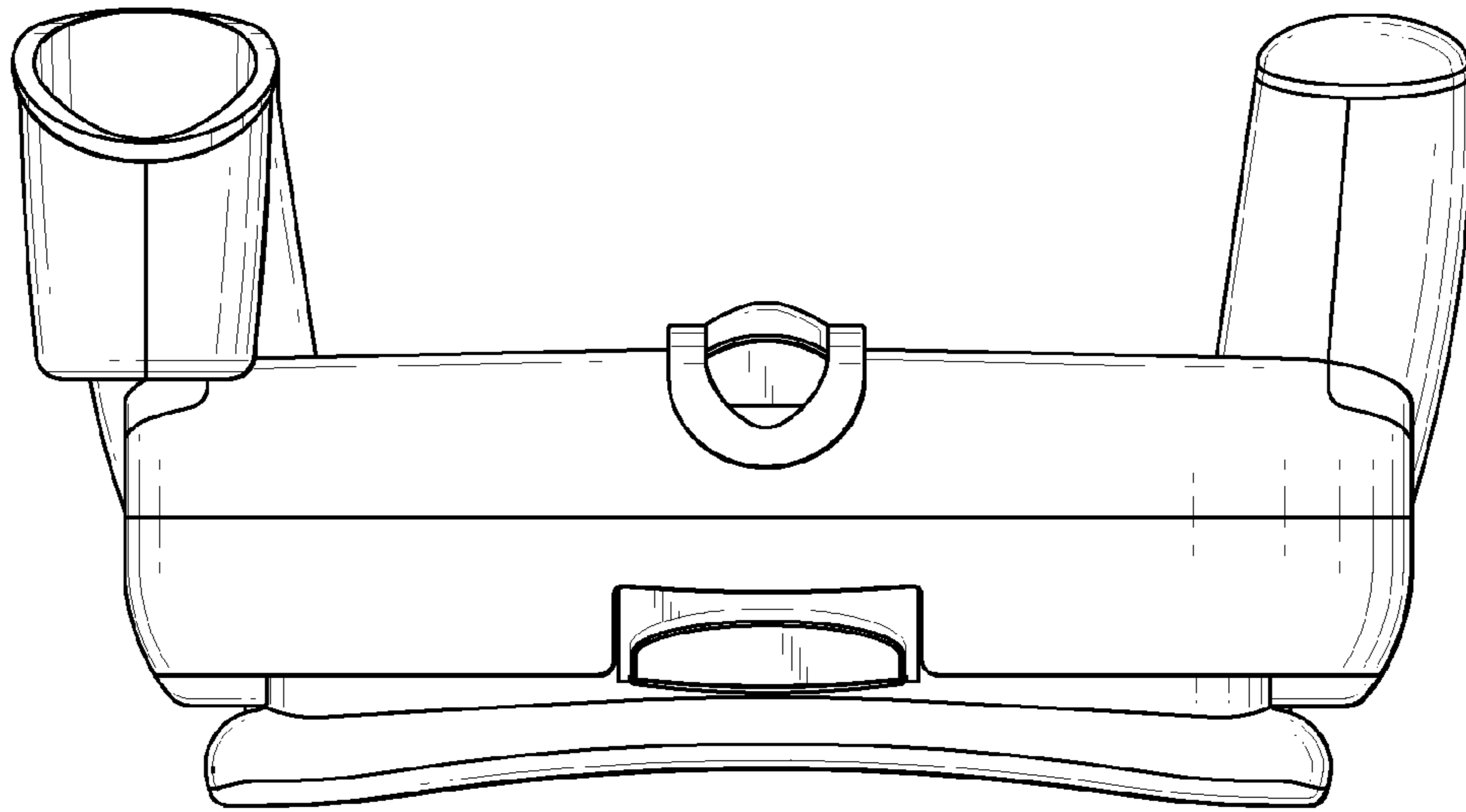


FIG. 2

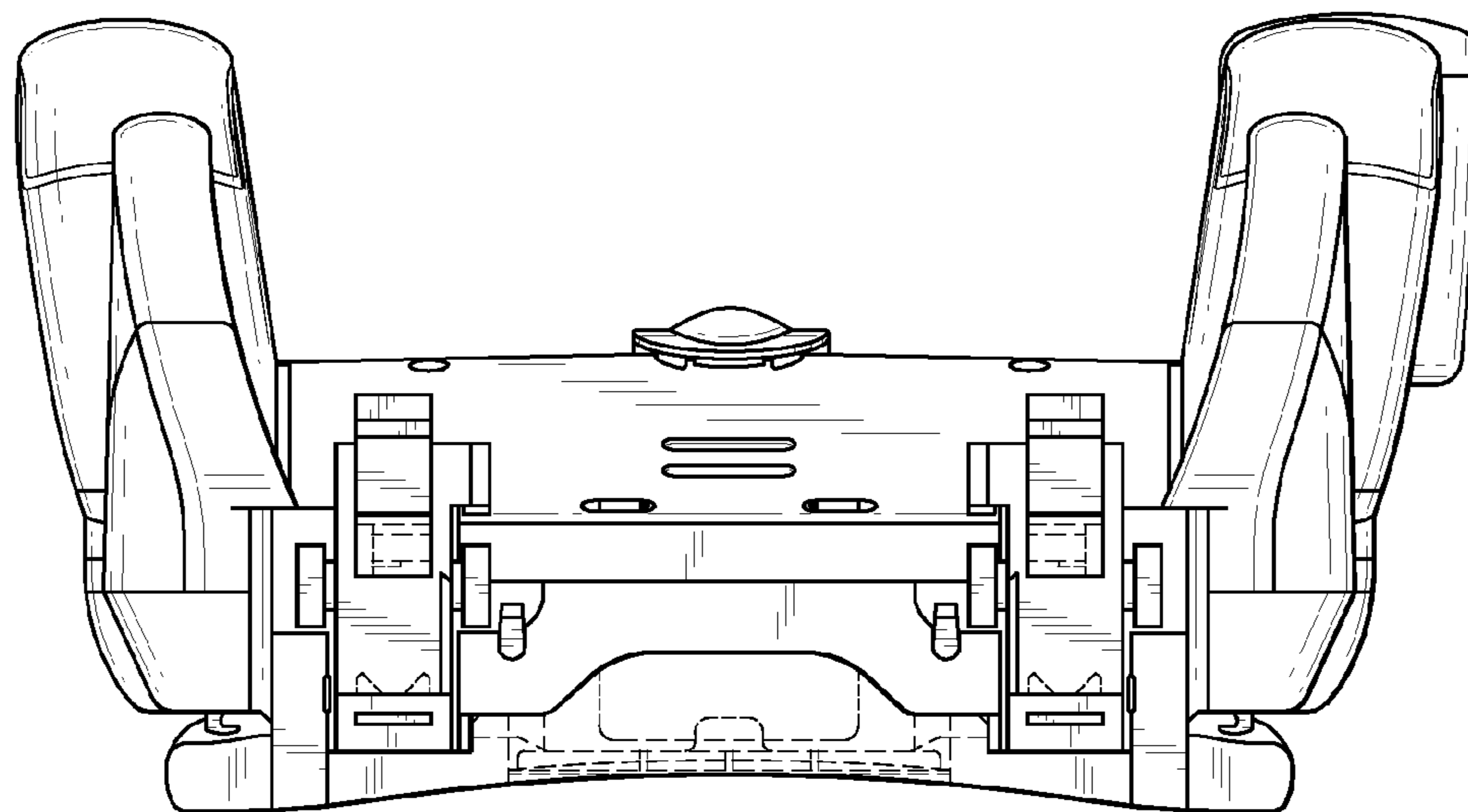


FIG. 3

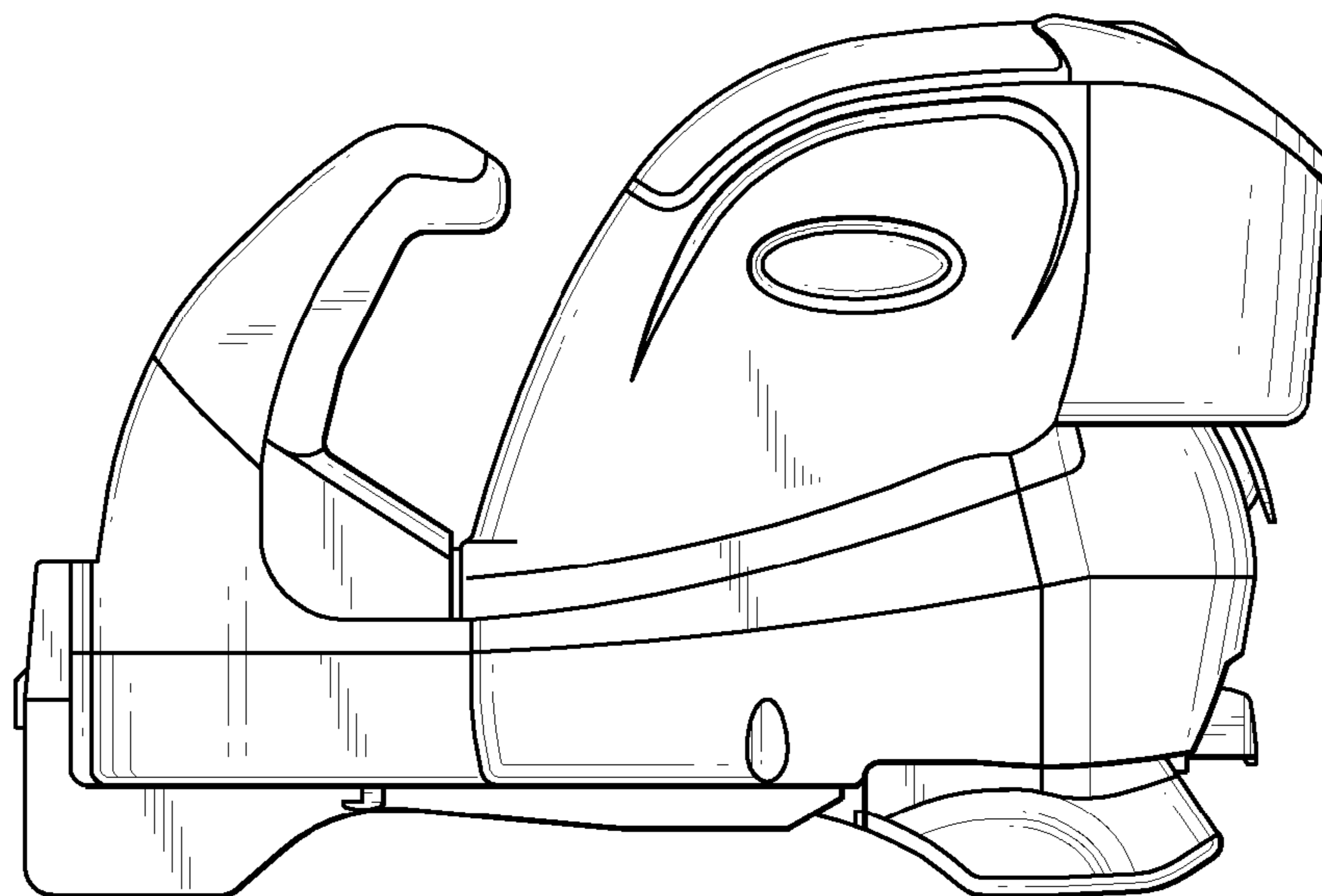


FIG. 4

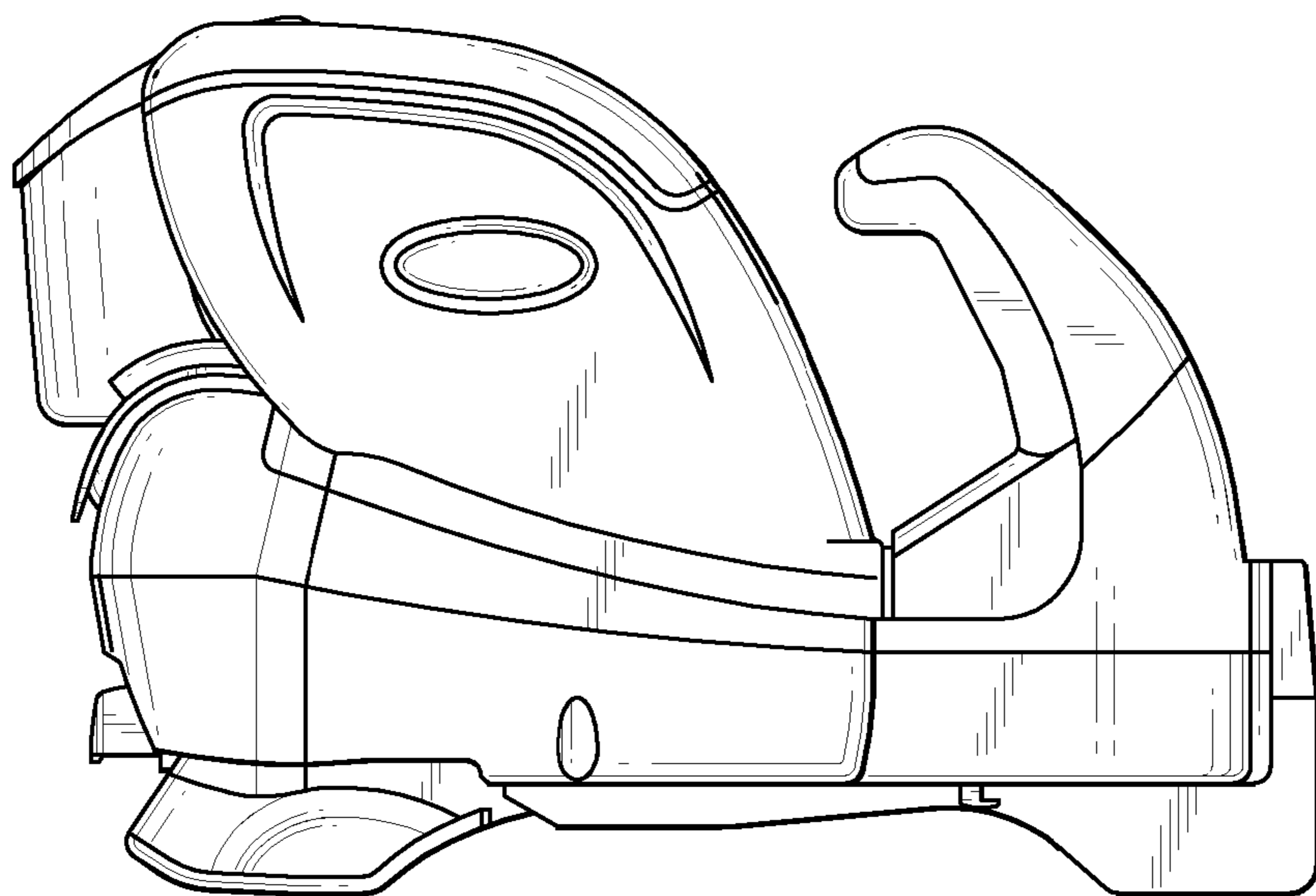


FIG. 5

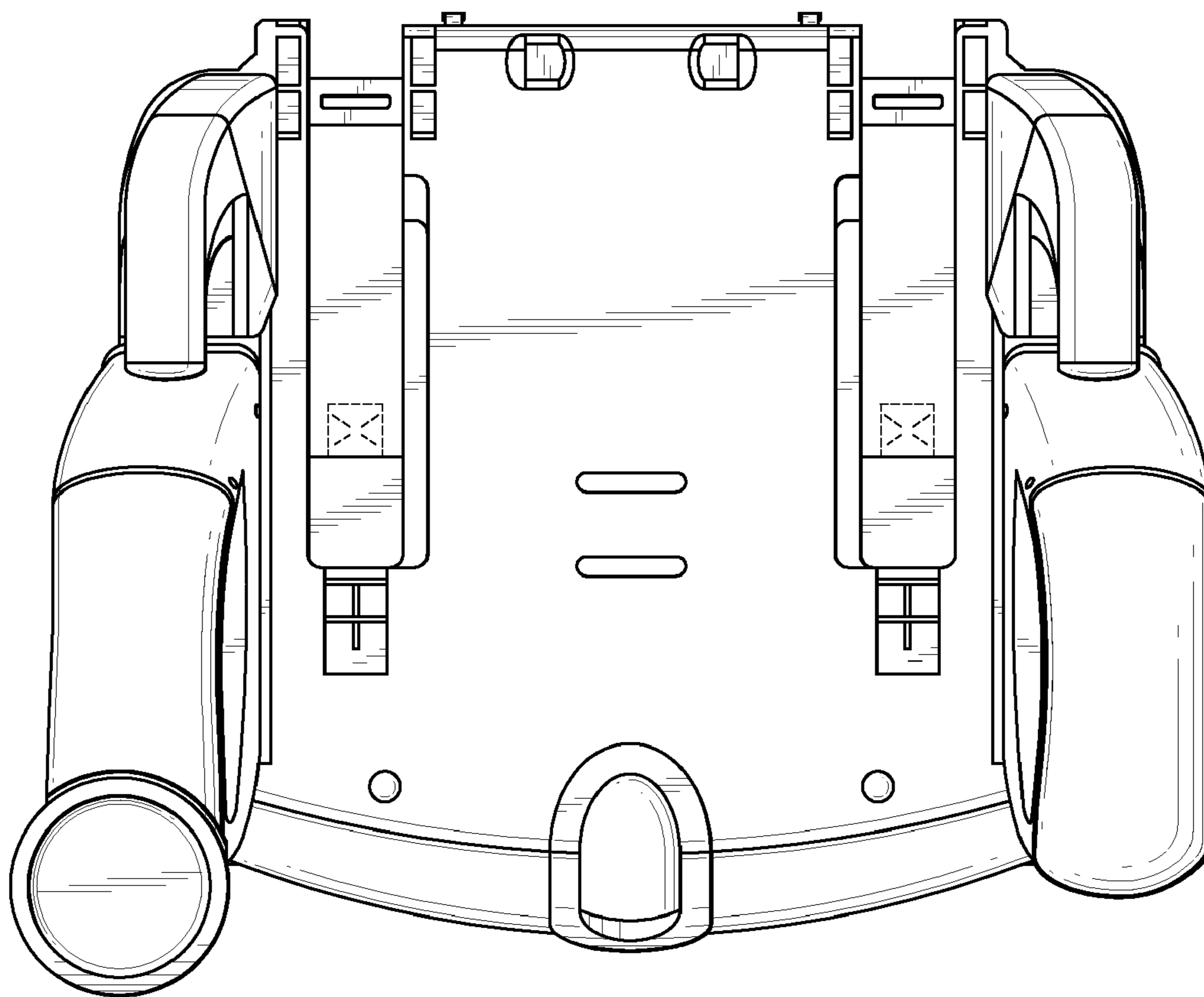


FIG. 6

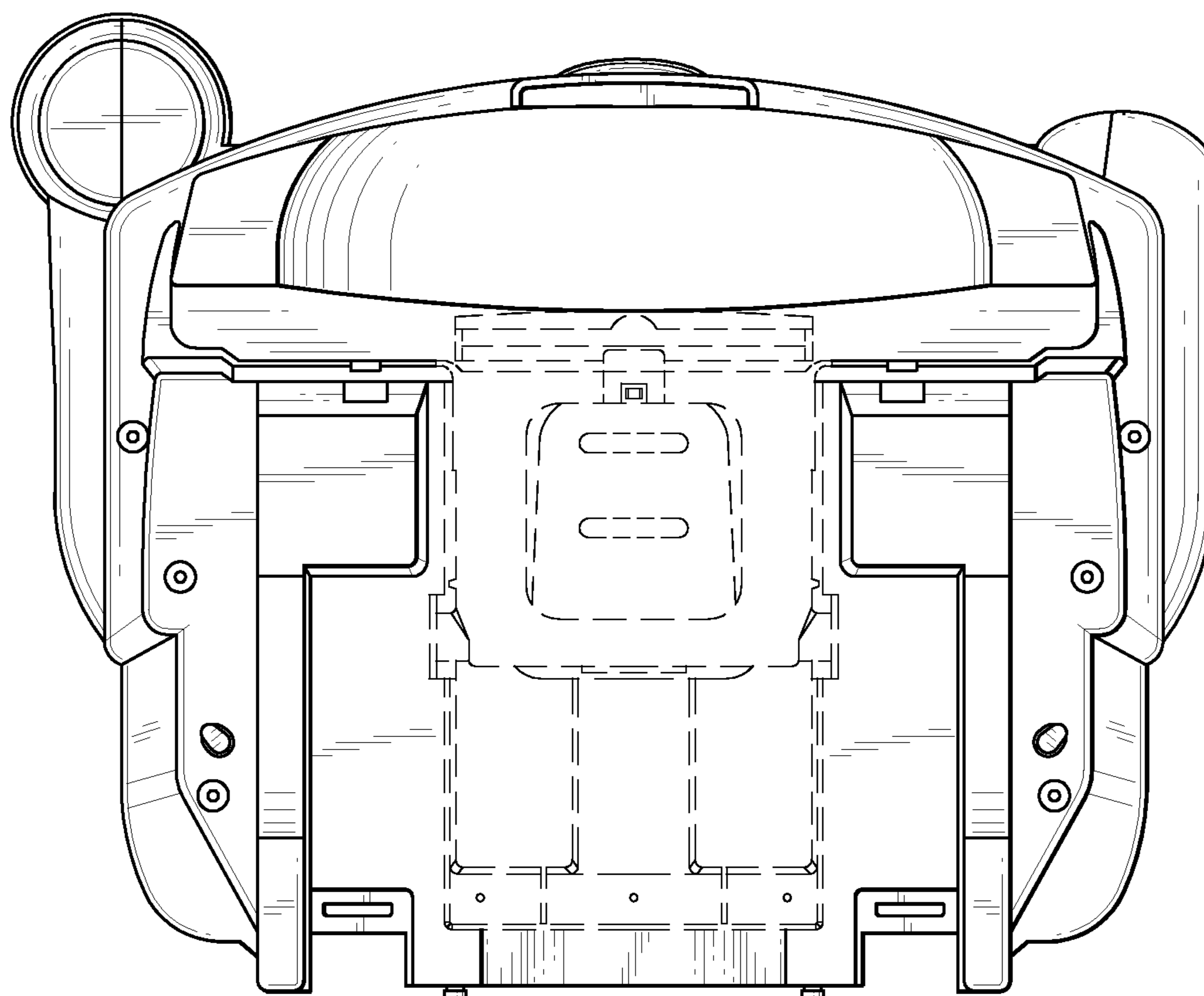


FIG. 7

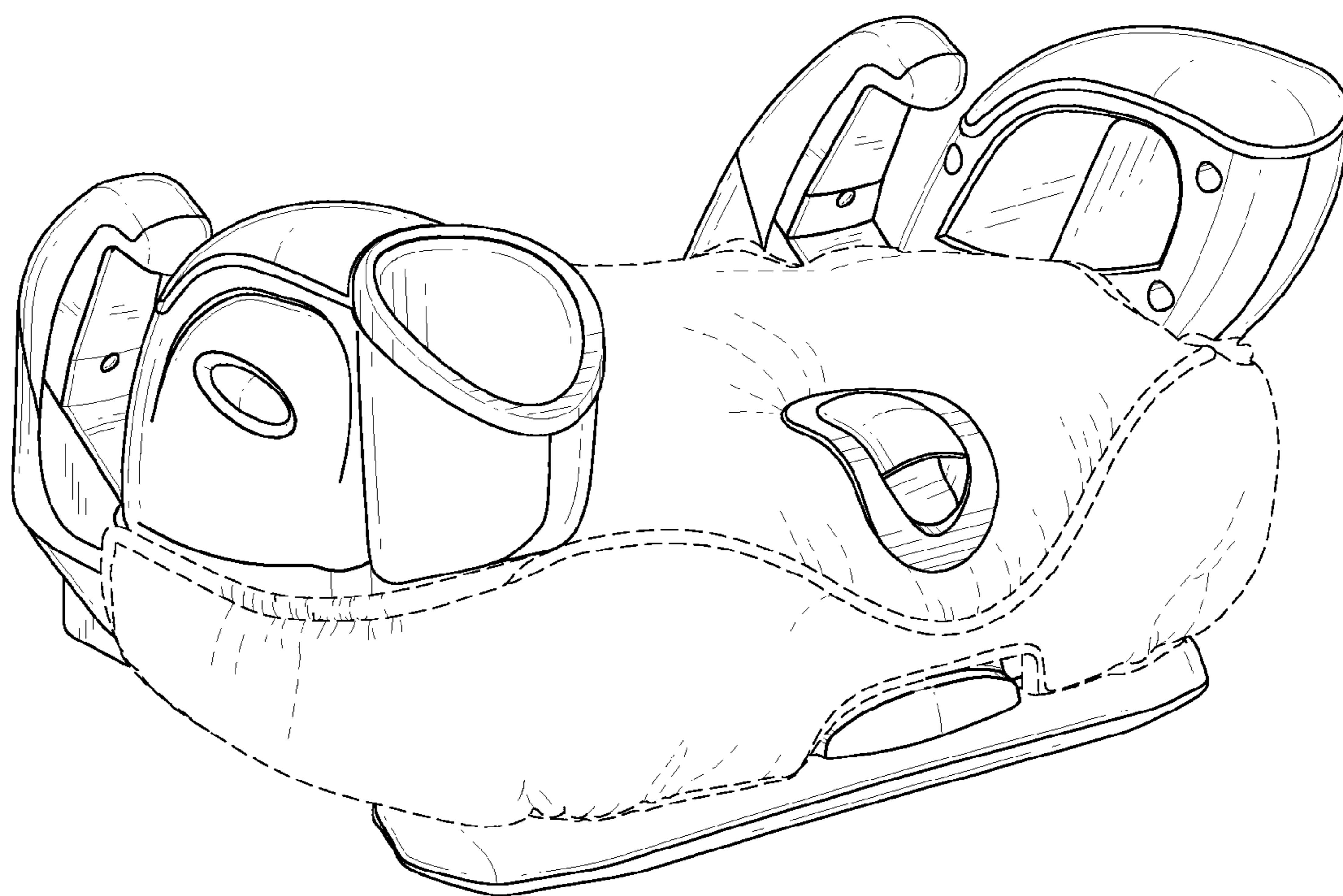


FIG. 8