

US00D624754S

(12) **United States Design Patent**
van Wijk et al.

(10) **Patent No.:** **US D624,754 S**

(45) **Date of Patent:** **** Oct. 5, 2010**

(54) **SHOPPING BASKET**

(75) Inventors: **Adrian Albert van Wijk**, Vancouver (CA); **Sandy Lai Ting Lam**, Vancouver (CA); **John Stuart Goulding**, Vancouver (CA); **Samuel Charles Richards**, North Vancouver (CA)

(73) Assignee: **7104588 Canada Ltd.**, Campbell River, BC (CA)

(**) Term: **14 Years**

(21) Appl. No.: **29/356,795**

(22) Filed: **Mar. 2, 2010**

(51) **LOC (9) Cl.** **03-01**

(52) **U.S. Cl.** **D3/308**

(58) **Field of Classification Search** D3/201,
D3/232-233, 245-246, 304, 306-309, 315;
150/100, 107, 110, 127-128; 224/158, 575;
220/761, 763, 769, 773, 776

See application file for complete search history.

(56) **References Cited**

U.S. PATENT DOCUMENTS

D277,993 S *	3/1985	Sinchok	D3/312
D382,999 S *	9/1997	Rehrig	D3/314
D395,362 S *	6/1998	Fink et al.	D3/307
D397,250 S *	8/1998	Fink et al.	D3/309
D405,268 S *	2/1999	Apenes	D3/309
D474,603 S *	5/2003	Berenguer	D3/307
D497,253 S *	10/2004	Alves	D3/309

D508,322 S	8/2005	Horst	
D517,806 S *	3/2006	Charuwongkhachton D3/305
D553,361 S *	10/2007	Splain et al. D3/304
D611,709 S *	3/2010	Ceravolo D3/304
D616,202 S *	5/2010	Whitlock et al. D3/306

* cited by examiner

Primary Examiner—Elizabeth A. Albert

Assistant Examiner—Kelly A Donnelly

(74) *Attorney, Agent, or Firm*—Oyen Wiggs Green & Mutala LLP

(57) **CLAIM**

The ornamental design for a shopping basket, as shown and described.

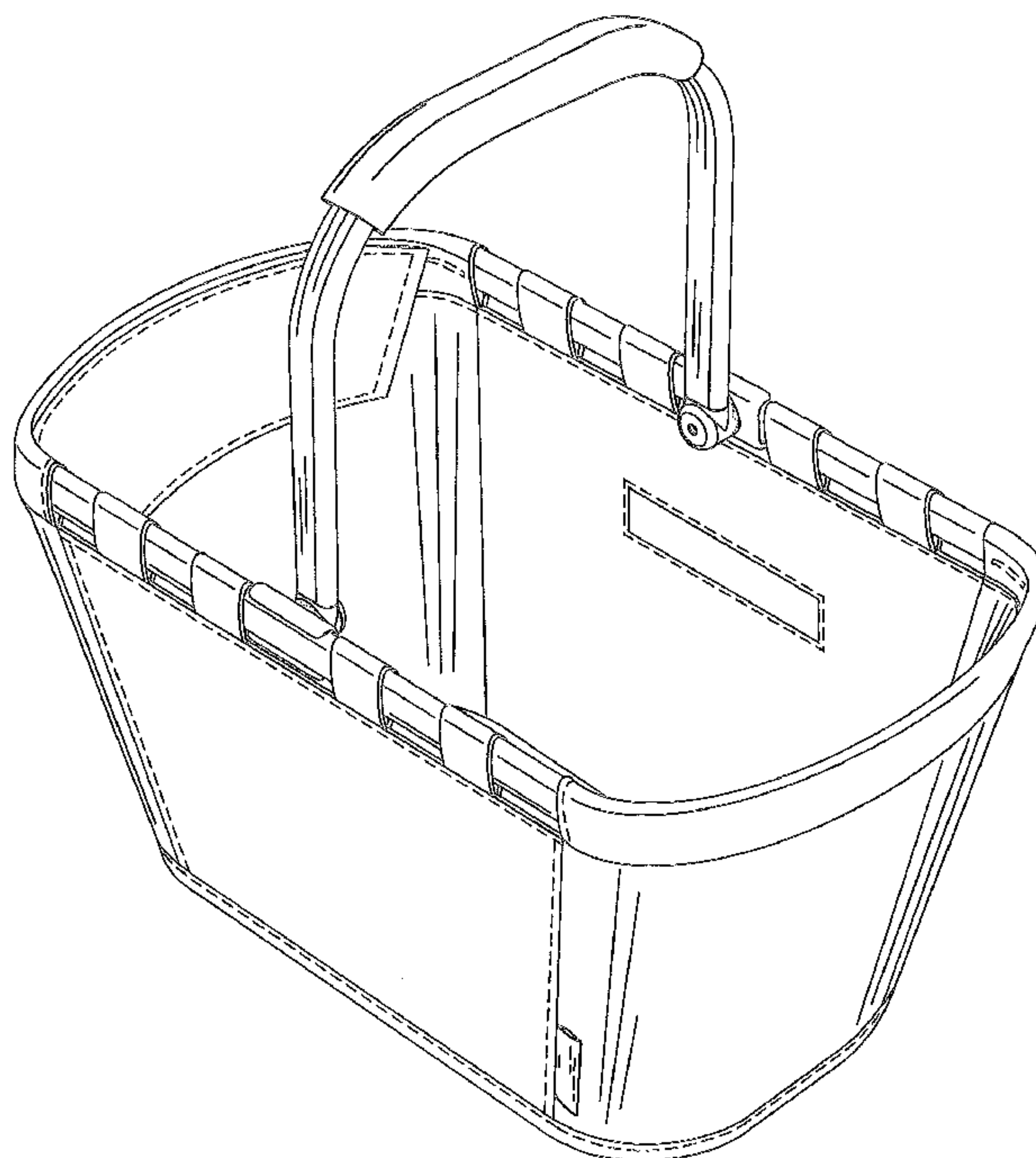
DESCRIPTION

FIG. 1 is an isometric view of the shopping basket;
FIG. 2 is a left side elevation view thereof;
FIG. 3 is a right side elevation view thereof;
FIG. 4 is a rear elevation view thereof, the front elevation view being a mirror image thereof;
FIG. 5 is a top view thereof; and,
FIG. 6 is a bottom view thereof.

The heavy, short, broken lines shown in FIGS. 1-6 represent stitching and do form part of the claimed design.

The broken lines are for the purpose of illustrating the environment of the article only and form no part of the claimed design.

1 Claim, 6 Drawing Sheets



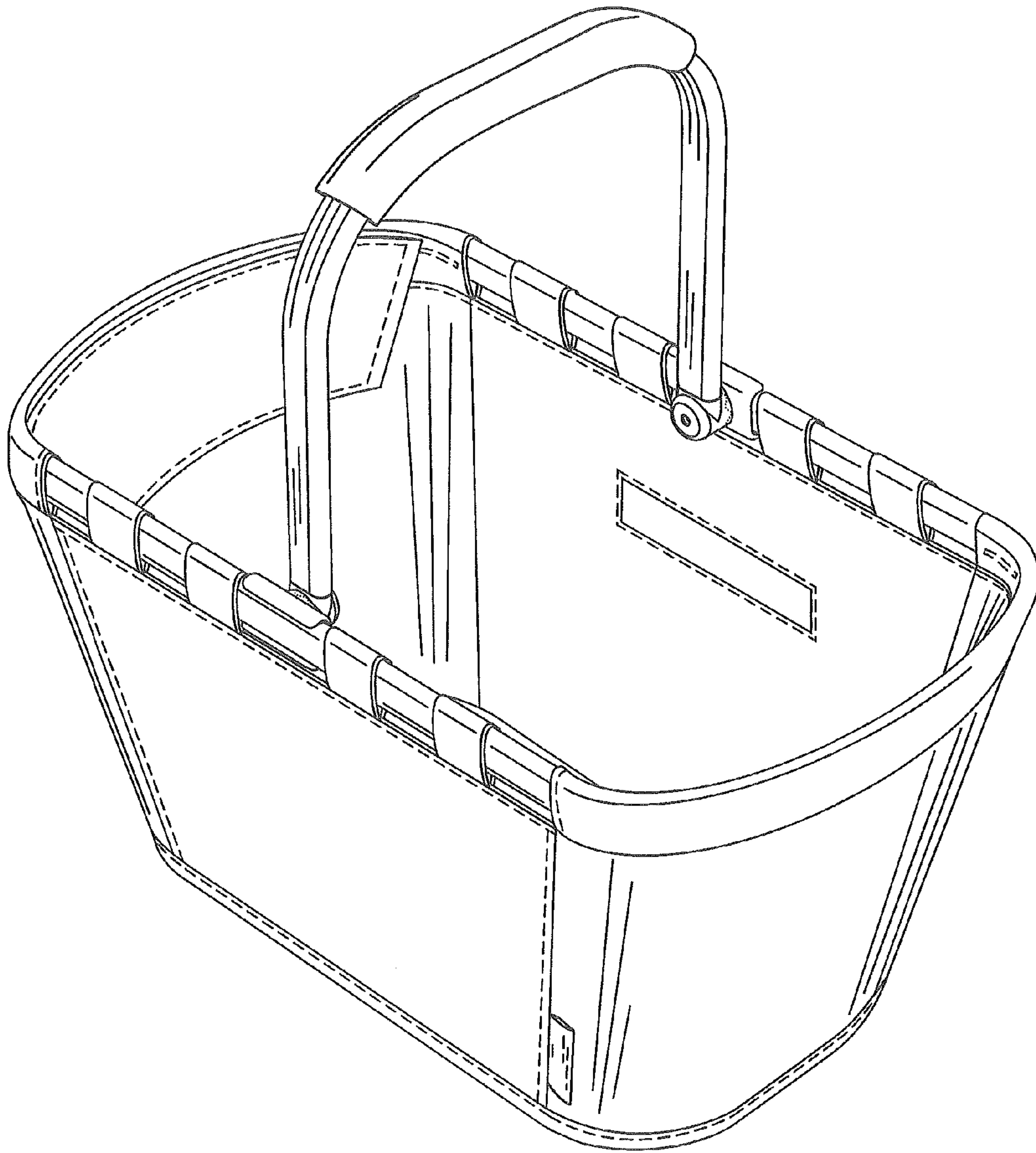


Fig. 1

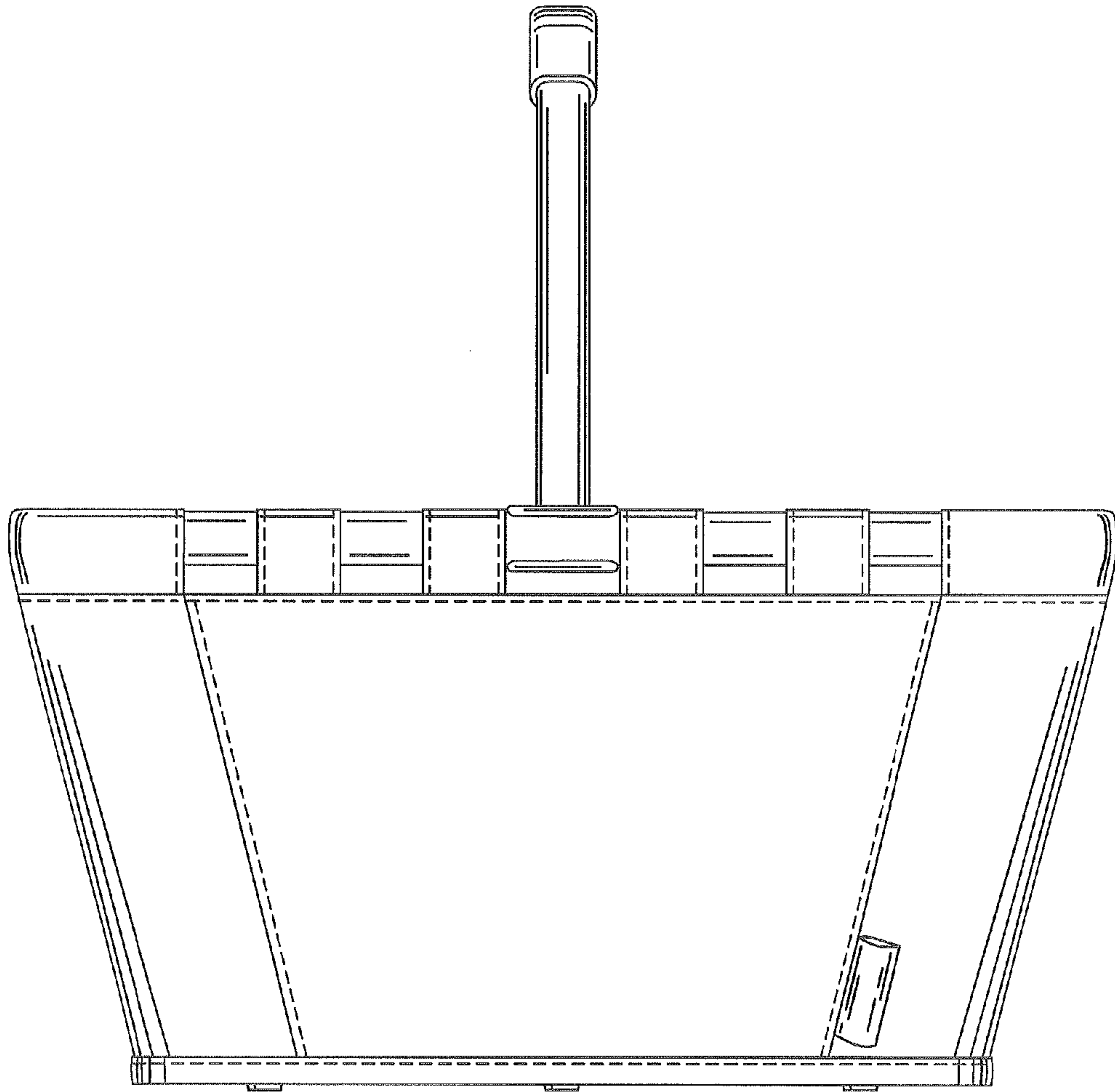


Fig. 2

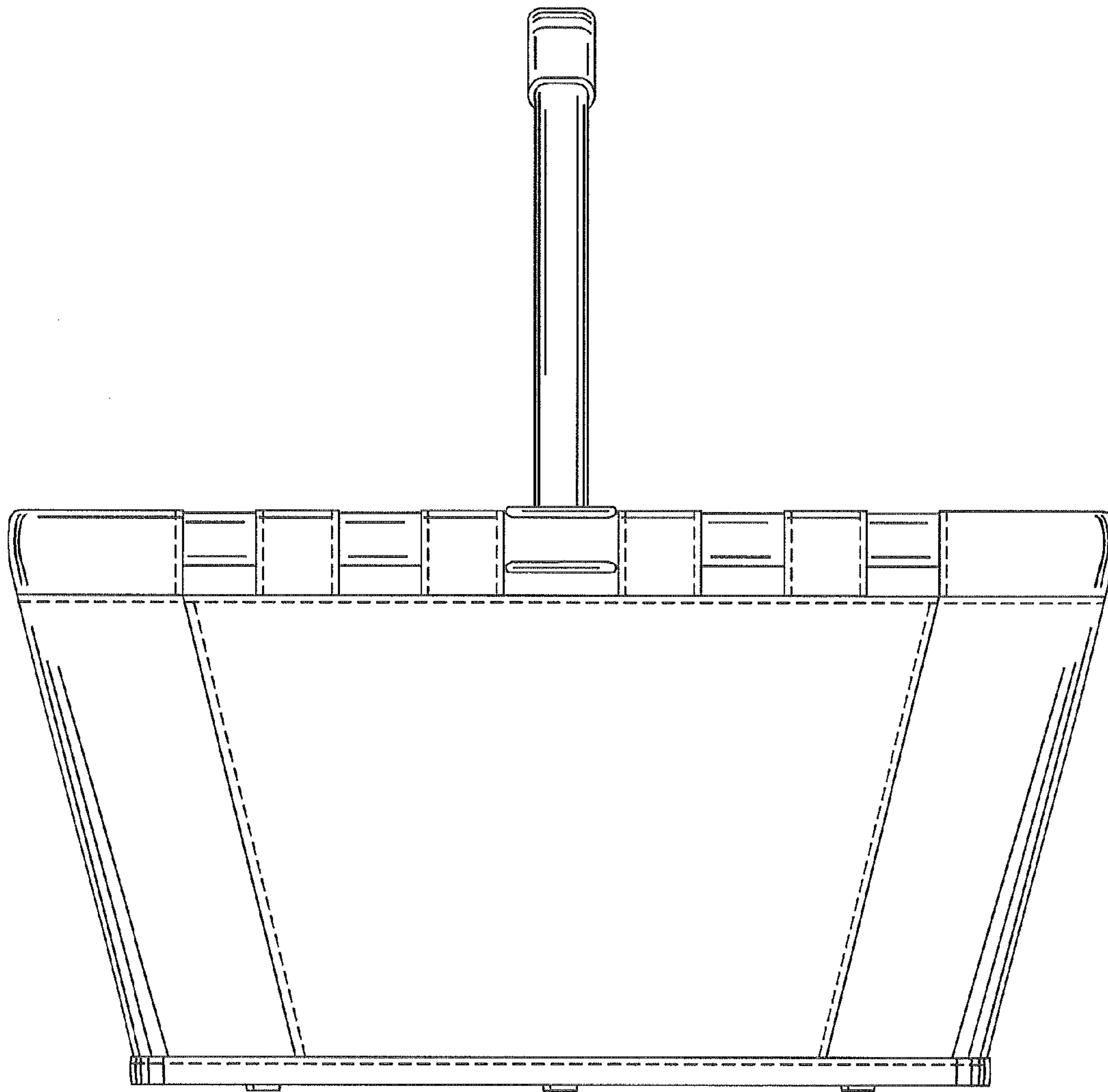


Fig. 3

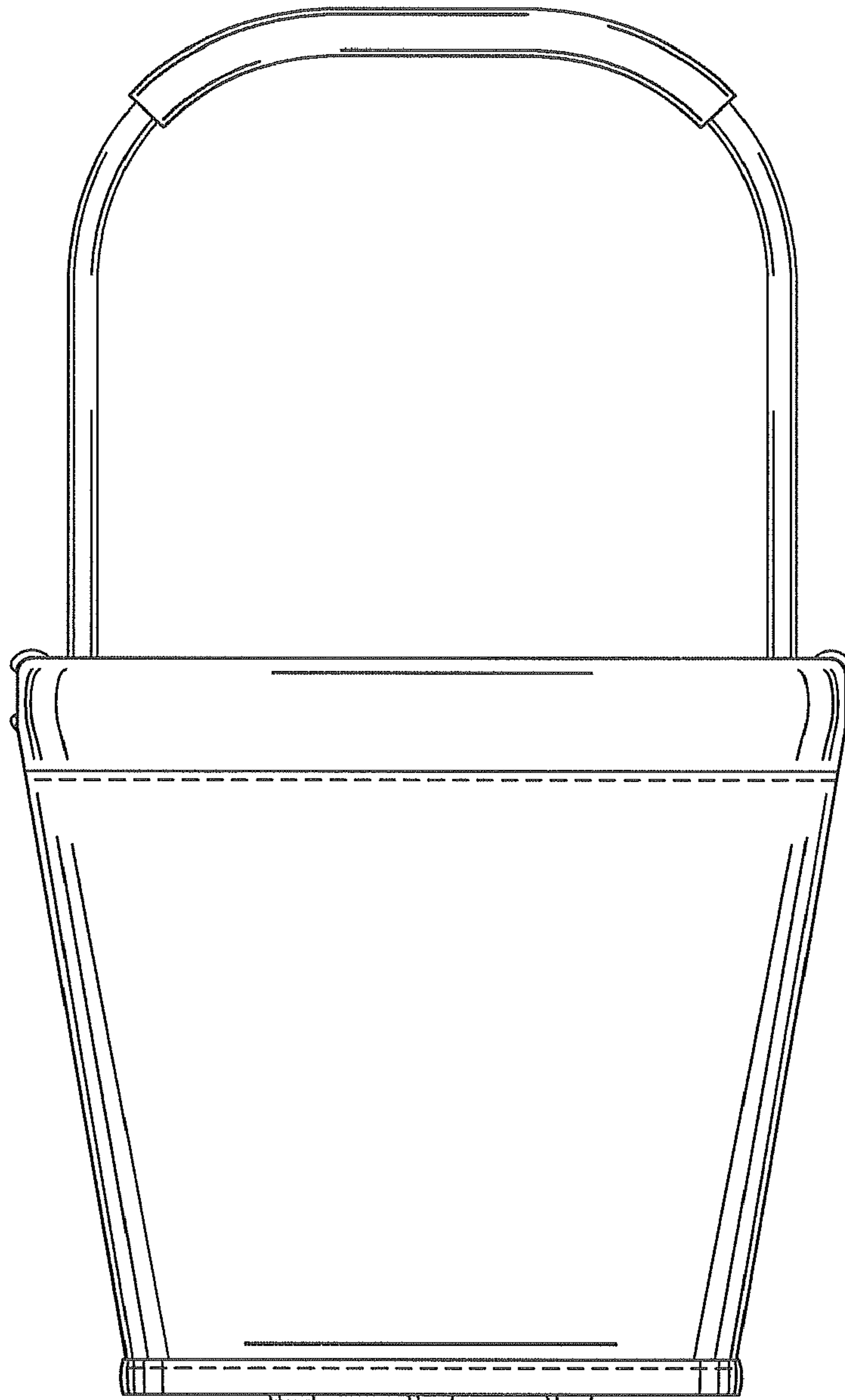


Fig. 4

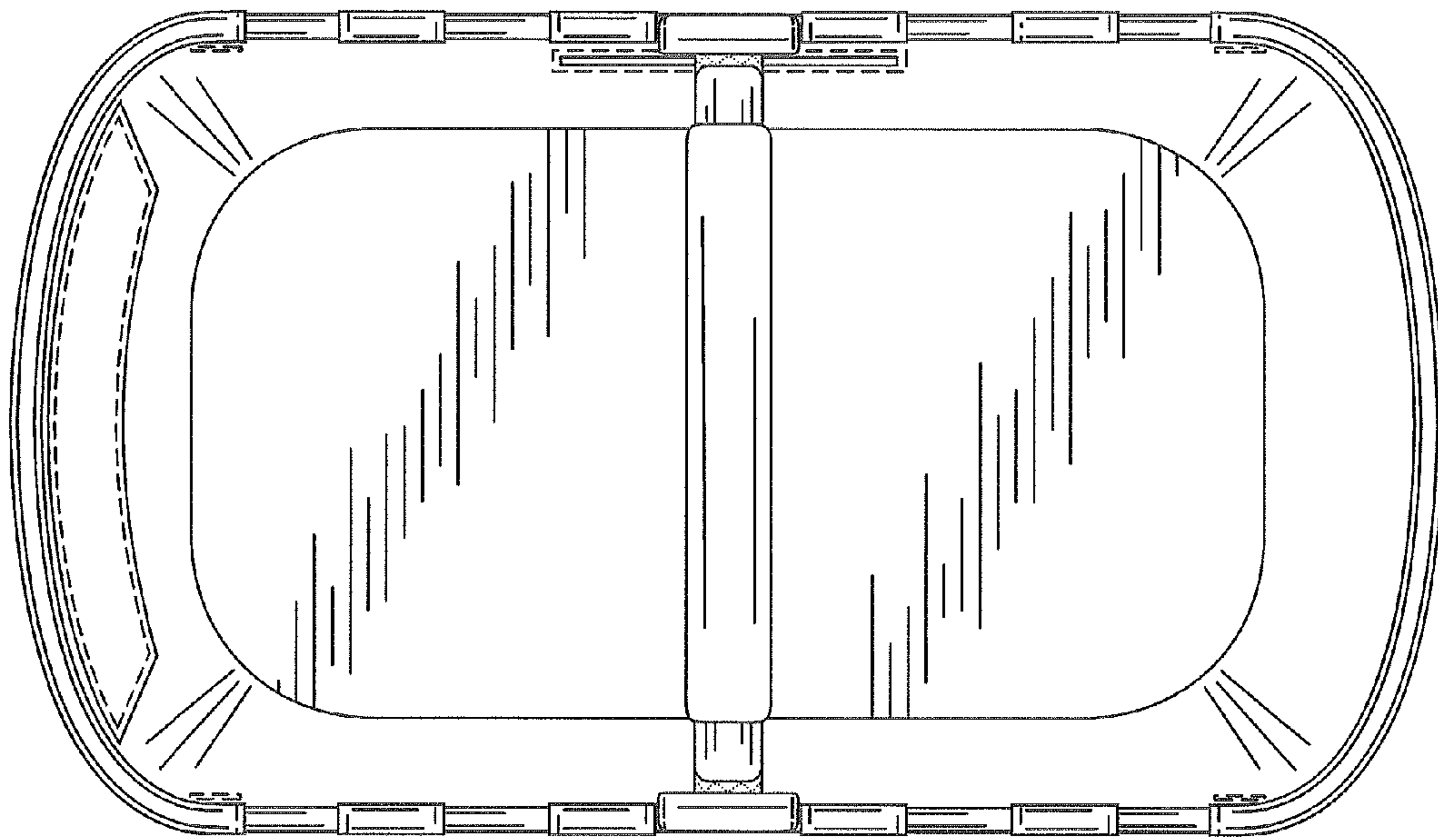


Fig. 5

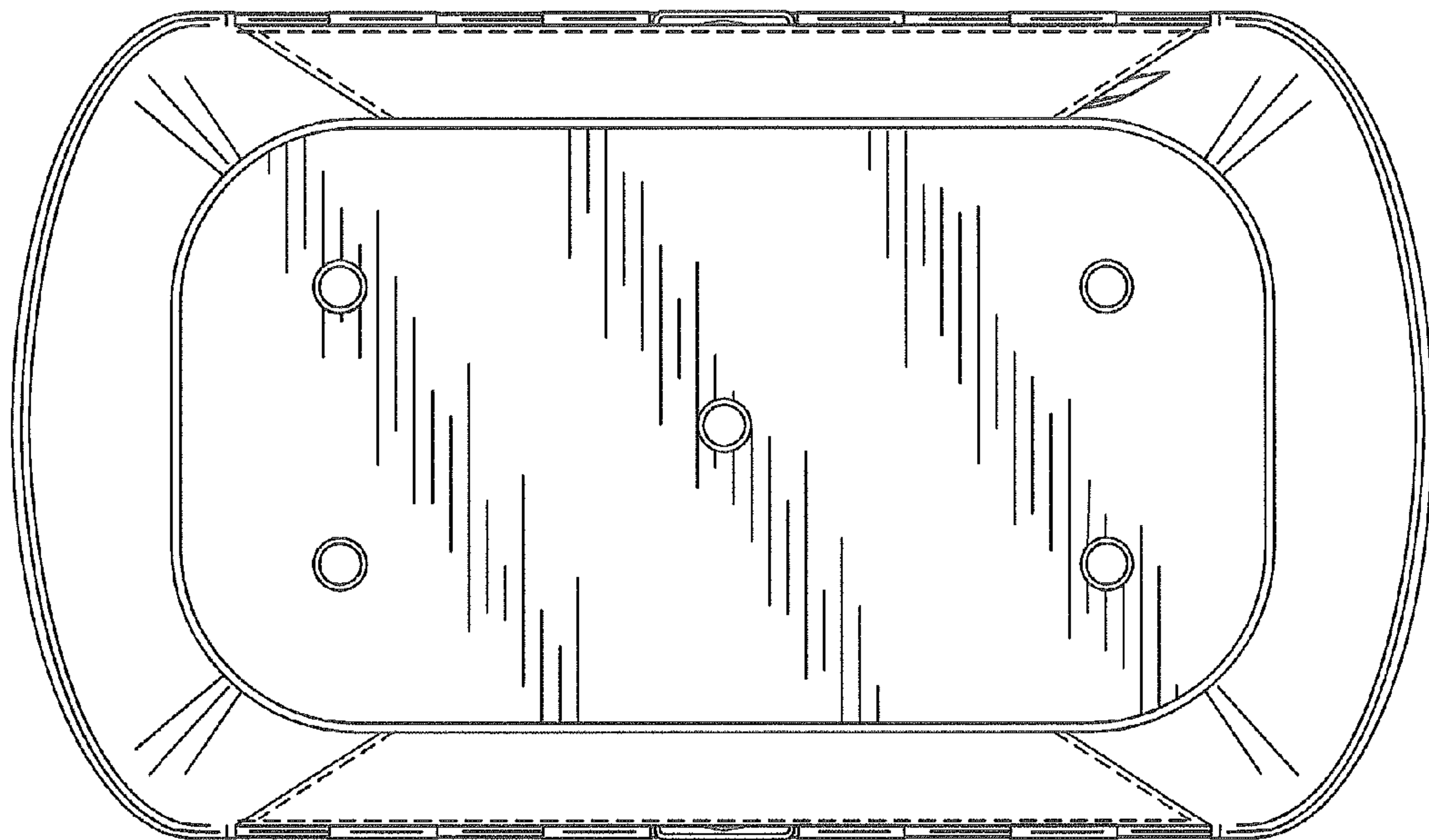


Fig. 6