



US00D624747S

(12) **United States Design Patent**
McSweyn

(10) **Patent No.:** **US D624,747 S**

(45) **Date of Patent:** **** Oct. 5, 2010**

(54) **KEYCHAIN USB CABLE**

(75) **Inventor:** **Christopher McSweyn**, Oxnard, CA
(US)

(73) **Assignee:** **Scosche Industries, Inc.**, Oxnard, CA
(US)

(**) **Term:** **14 Years**

(21) **Appl. No.:** **29/355,767**

(22) **Filed:** **Feb. 12, 2010**

(51) **LOC (9) Cl.** **03-01**

(52) **U.S. Cl.** **D3/208; D14/480.5**

(58) **Field of Classification Search** D11/1-2,
D11/14, 26-29, 89-92, 44, 48, 81, 99; 63/26-28,
63/32; D3/207-212; D8/38; 70/456 B;
206/37.1; D14/480.5

See application file for complete search history.

(56) **References Cited**

U.S. PATENT DOCUMENTS

D308,295 S *	6/1990	Sherlin	D3/207
D352,600 S *	11/1994	Steeley	D3/208
D369,020 S *	4/1996	MacDonald	D3/207
D397,866 S *	9/1998	Hartmann et al.	D3/212
D550,952 S *	9/2007	Rimon	D3/207
D566,707 S *	4/2008	Patton et al.	D14/356
D566,708 S *	4/2008	Patton et al.	D14/356

D570,597 S *	6/2008	Klein	D3/207
D577,023 S *	9/2008	Anglin	D14/383
D604,041 S *	11/2009	Fleming	D3/207
D610,156 S *	2/2010	Mudrick	D14/480.5

OTHER PUBLICATIONS

U.S. Appl. No. 29/355,757, filed Feb. 12, 2010 by Christopher McSweyn entitled "Keychain USB Cable".

* cited by examiner

Primary Examiner—Ralf Seifert

(74) *Attorney, Agent, or Firm*—Arent Fox LLP

(57) **CLAIM**

The ornamental design for a keychain USB cable, as shown and described.

DESCRIPTION

FIG. 1 is a perspective view of a keychain USB cable showing my new design, according to a first embodiment;

FIG. 2 is a front view of the design shown in FIG. 1, the rear view being a mirror image thereof;

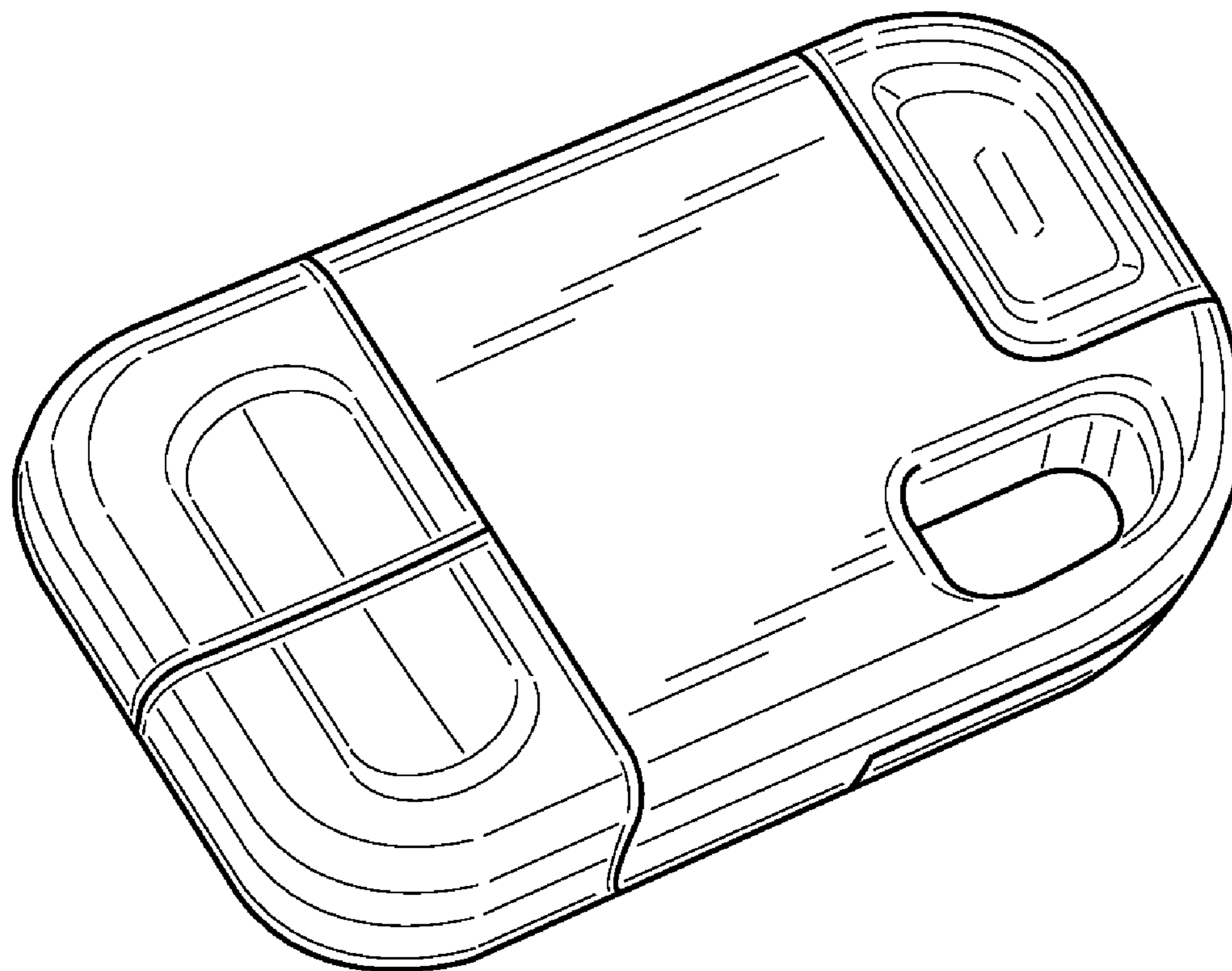
FIG. 3 is a left side view of the design shown in FIG. 1;

FIG. 4 is a right side view of the design shown in FIG. 1;

FIG. 5 is a top view of the design shown in FIG. 1; and,

FIG. 6 is a bottom view of the design shown in FIG. 1.

1 Claim, 4 Drawing Sheets



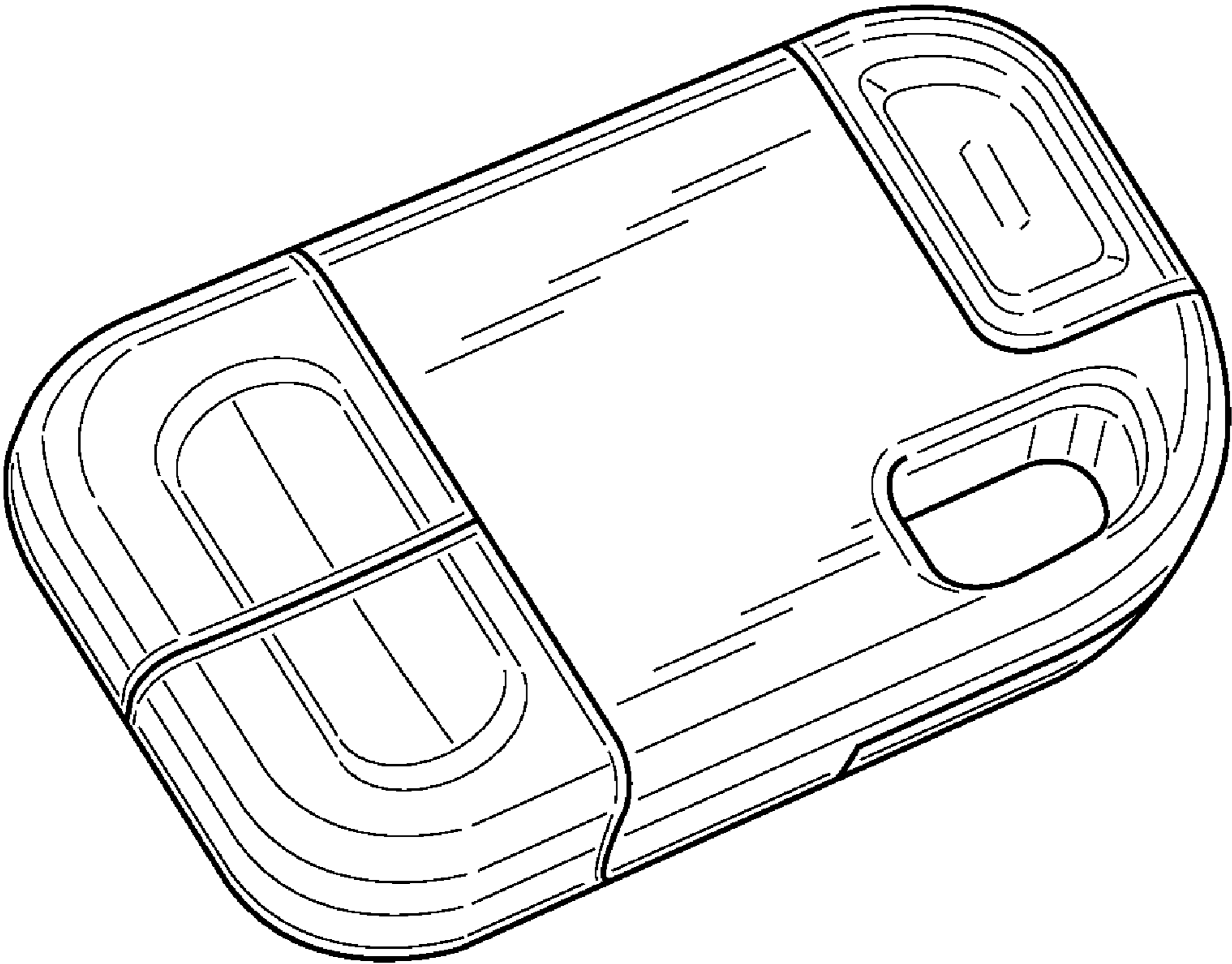


FIG.1

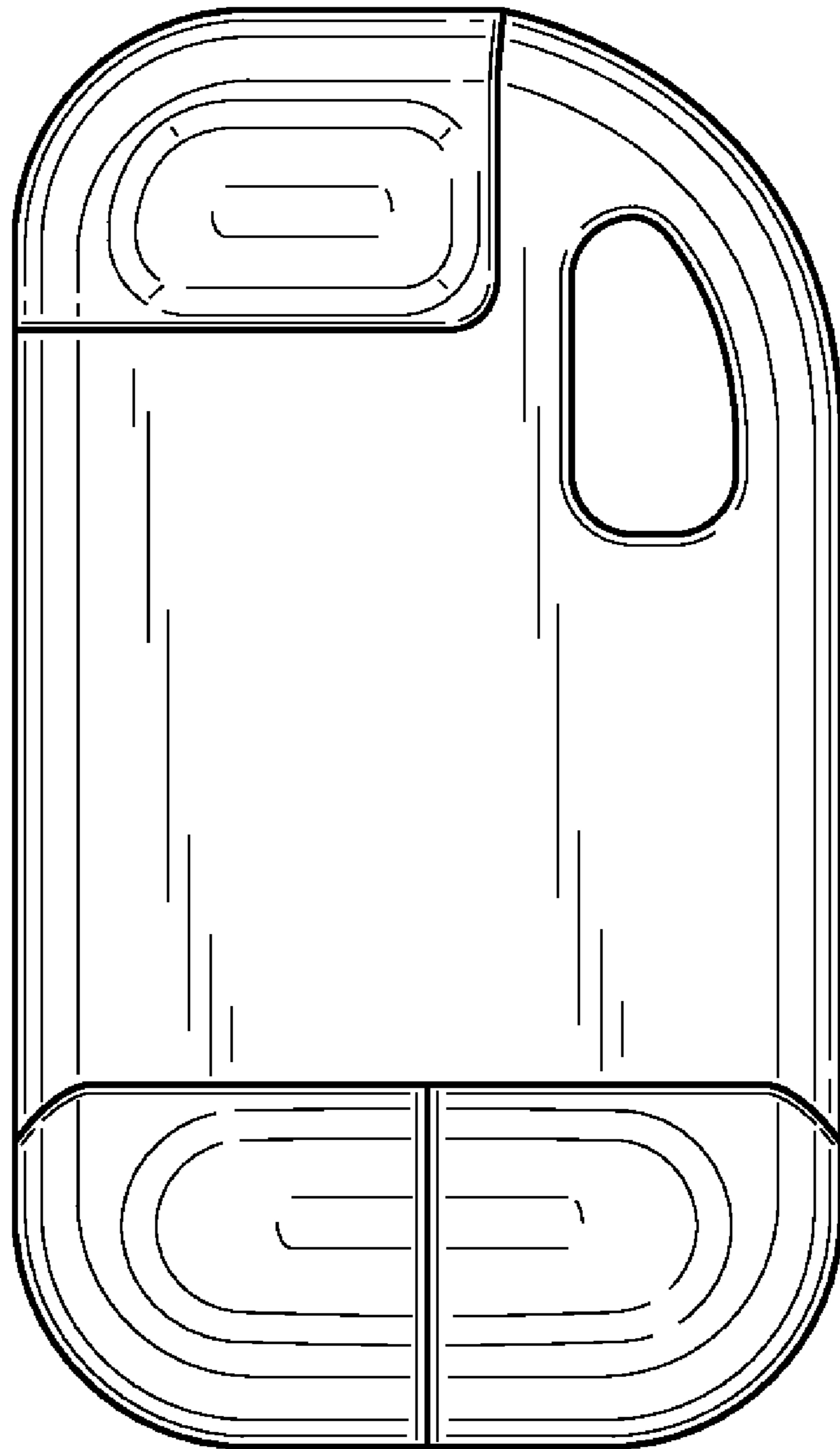


FIG.2

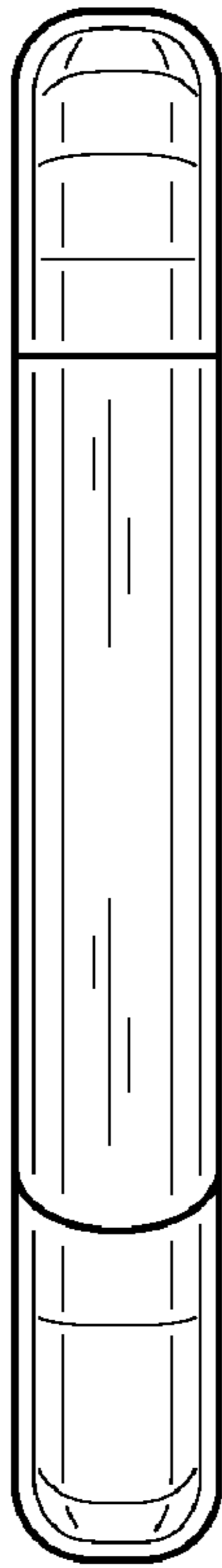


FIG.3

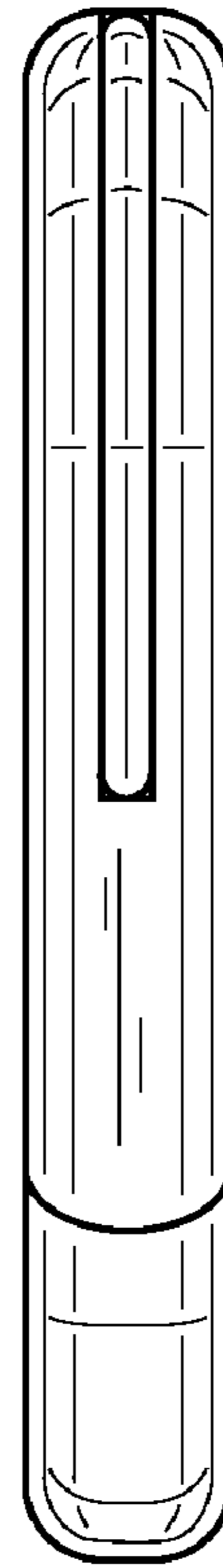


FIG.4

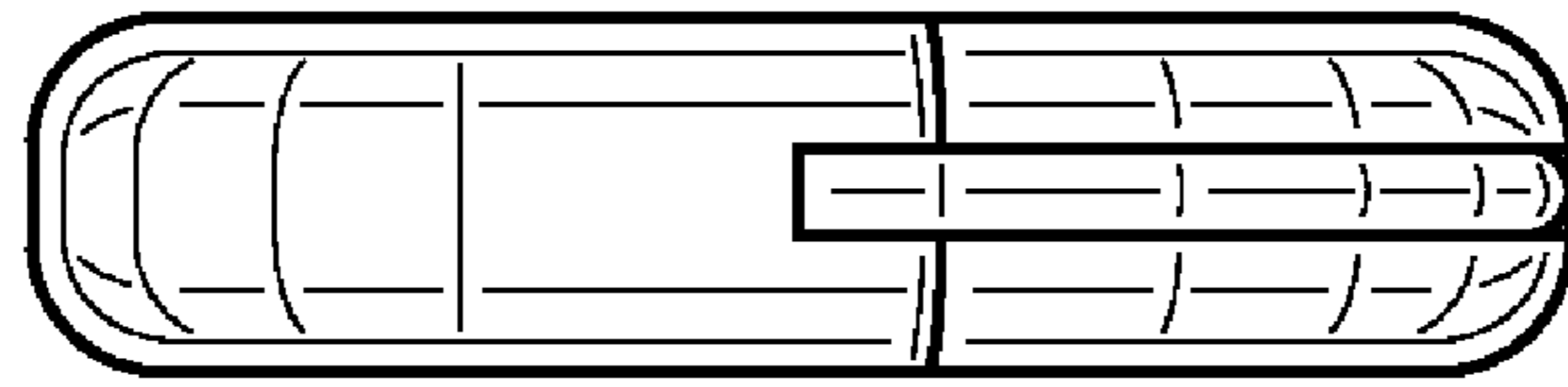


FIG. 5

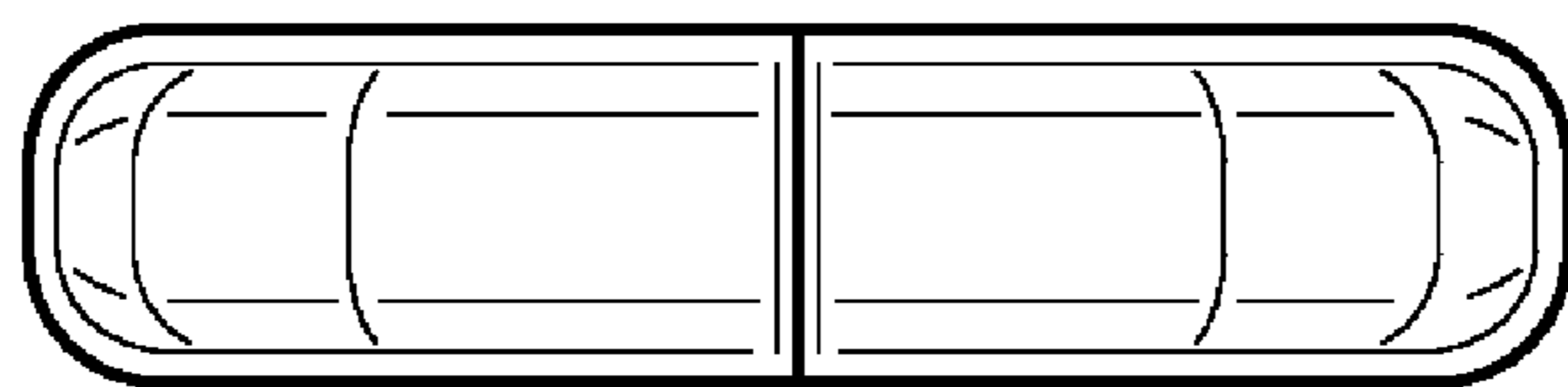


FIG. 6