



US00D624742S

(12) **United States Design Patent**  
**Akhidime**

(10) **Patent No.:** **US D624,742 S**

(45) **Date of Patent:** **\*\* Oct. 5, 2010**

(54) **SHOE UPPER**

(75) Inventor: **Eval Akhidime**, Los Angeles, CA (US)

(73) Assignee: **SKECHERS U.S.A., Inc. II**, Manhattan Beach, CA (US)

(\*\*) Term: **14 Years**

(21) Appl. No.: **29/365,588**

(22) Filed: **Jul. 12, 2010**

(51) **LOC (9) Cl.** ..... **02-99**

(52) **U.S. Cl.** ..... **D2/969**

(58) **Field of Classification Search** ..... D2/896,  
D2/902, 906-908, 943, 944, 969, 972-974;  
36/45-49, 50.1, 77 M, 77 R, 83, 88, 113,  
36/114, 126-131

See application file for complete search history.

(56) **References Cited**

**U.S. PATENT DOCUMENTS**

D297,281 S *	8/1988	Lussier .....	D2/969
D325,811 S *	5/1992	Backus et al. ....	D2/969
D341,703 S *	11/1993	Hatfield et al. ....	D2/973
D342,821 S *	1/1994	Avar .....	D2/970
D373,463 S *	9/1996	Greene .....	D2/969
D447,859 S	9/2001	Matis et al.	
D467,720 S *	12/2002	Patt .....	D2/972
D511,883 S	11/2005	Matis	
D514,294 S	2/2006	Matis	
D528,285 S	9/2006	Hlavacs	
D532,965 S	12/2006	Huthmaker	
D535,463 S	1/2007	Matis et al.	

D545,044 S *	6/2007	Hlavacs .....	D2/972
D563,090 S *	3/2008	Matis et al. ....	D2/969
D563,647 S	3/2008	Matis et al.	
D572,441 S *	7/2008	Moretti .....	D2/907
D574,594 S	8/2008	St-Louis et al.	
D593,310 S	6/2009	St-Louis et al.	
D594,207 S	6/2009	Banik et al.	
D594,214 S	6/2009	Matis et al.	
D600,898 S	9/2009	St-Louis et al.	
D605,842 S	12/2009	Andersen et al.	

\* cited by examiner

*Primary Examiner*—Dominic Simone

(74) *Attorney, Agent, or Firm*—Marshall A. Lerner; Marvin H. Kleinberg; Kleinberg & Lerner, LLP

(57) **CLAIM**

The ornamental design for a shoe upper, as shown and described.

**DESCRIPTION**

FIG. 1 is a perspective view of a shoe upper embodying my new design;

FIG. 2 is a left side view thereof;

FIG. 3 is a right side view thereof;

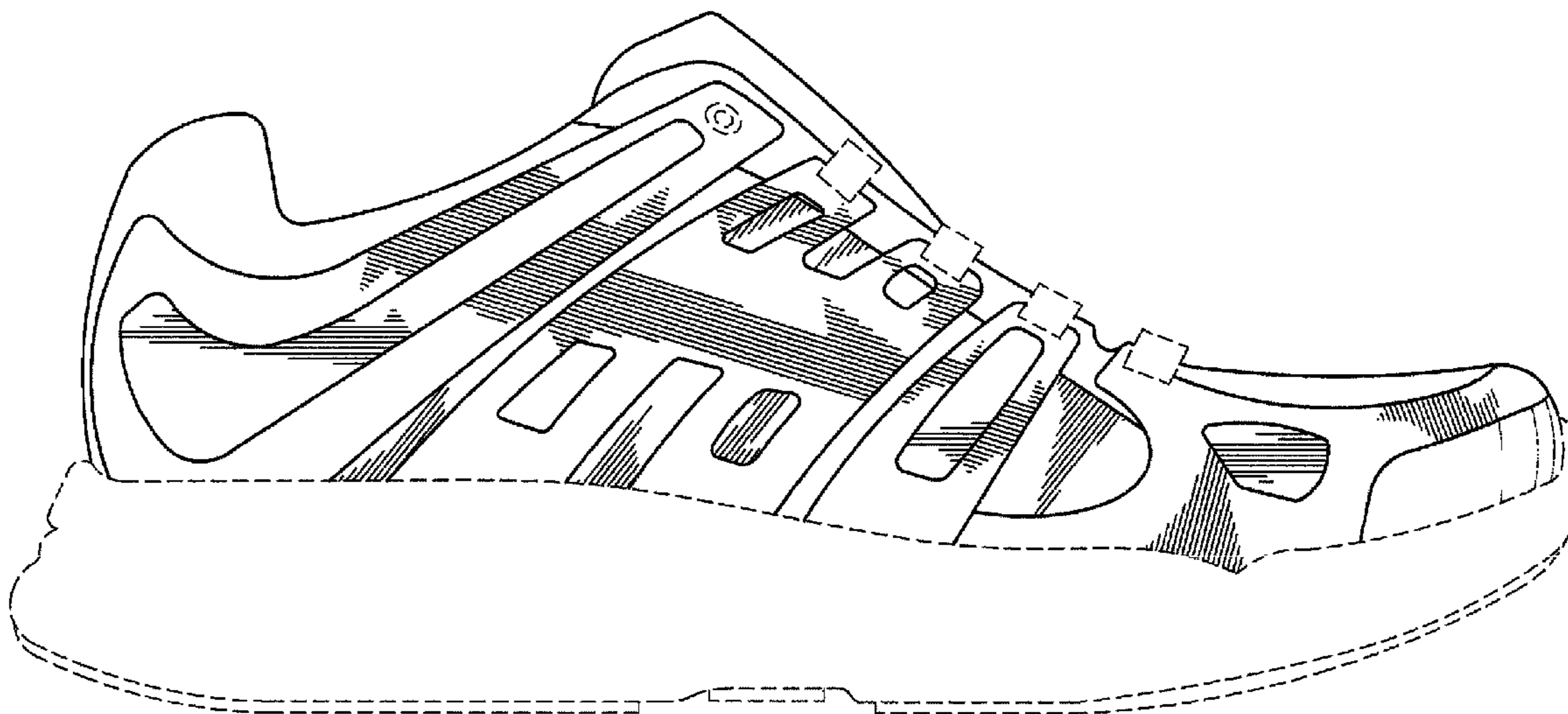
FIG. 4 is a top plan view thereof;

FIG. 5 is a rear elevation view thereof; and,

FIG. 6 is a front elevation view thereof.

Broken lines in the figures are for illustrative purposes only and form no part of the claimed invention.

**1 Claim, 5 Drawing Sheets**



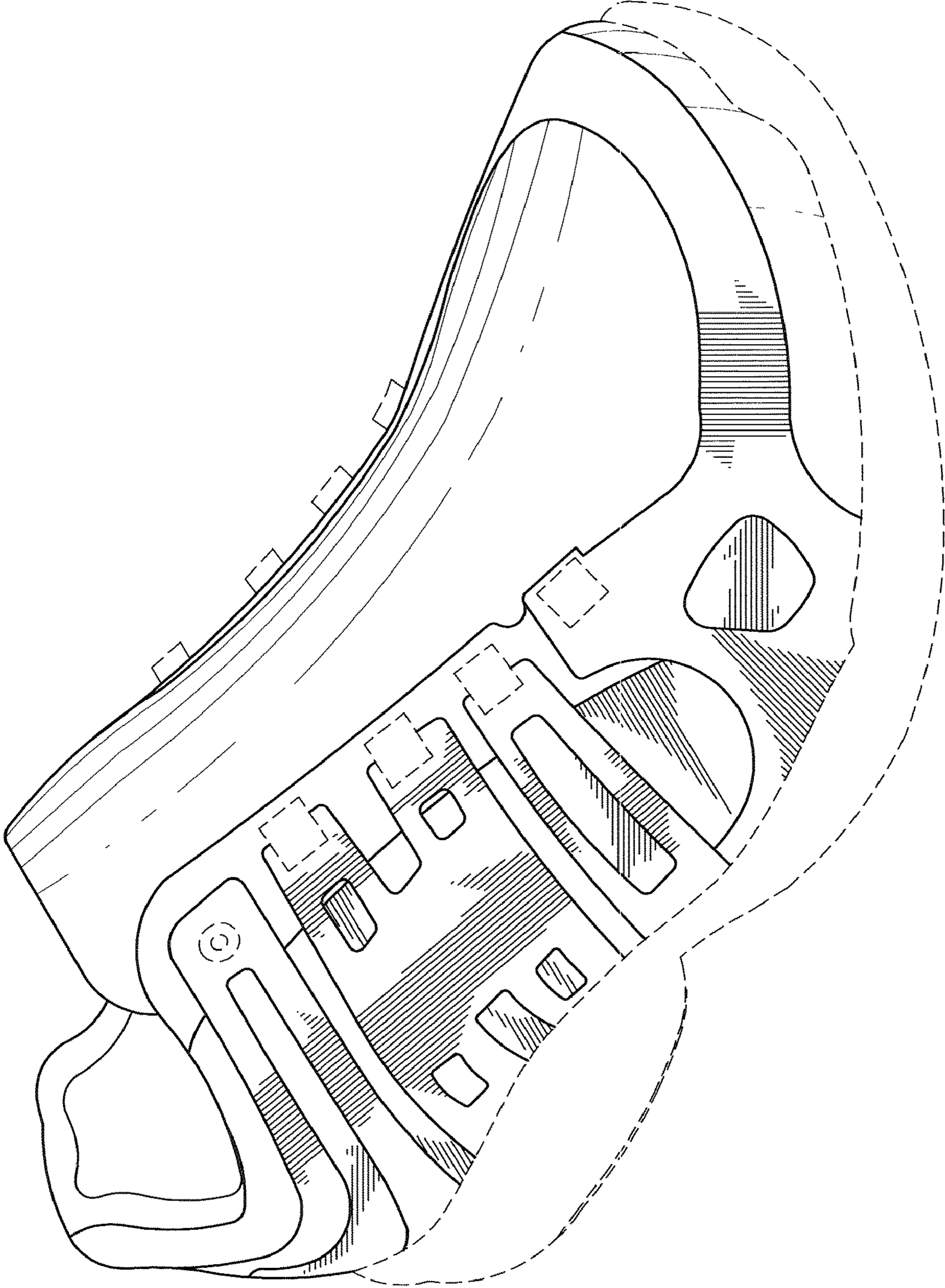
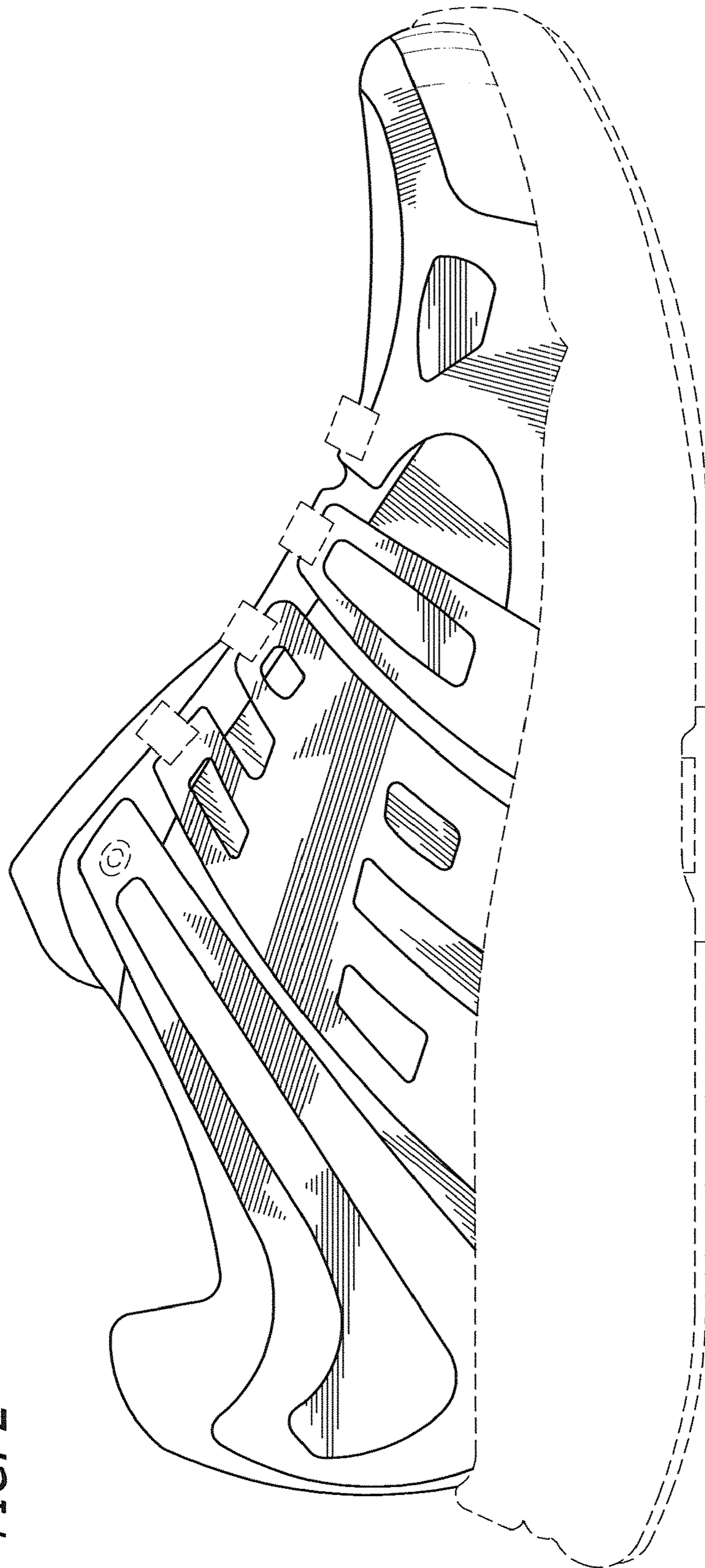


FIG. 1

FIG. 2



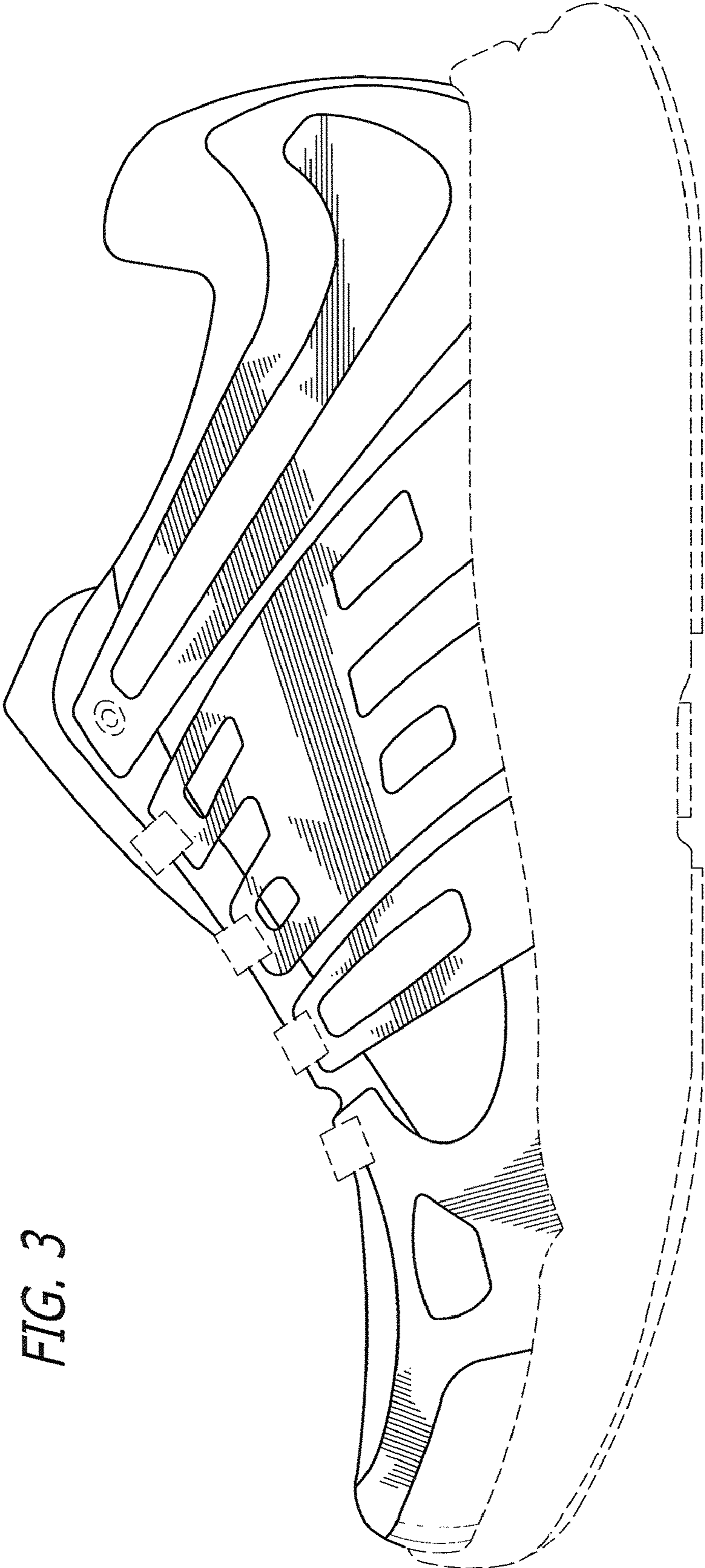


FIG. 3

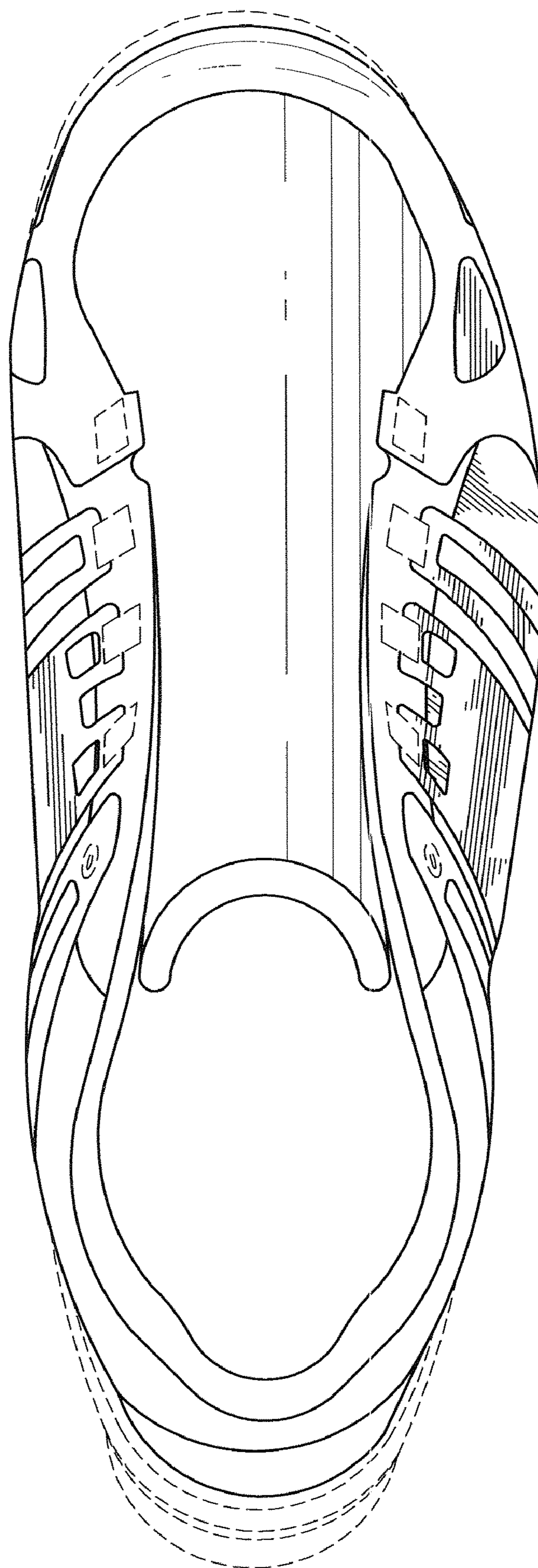


FIG. 4

FIG. 6

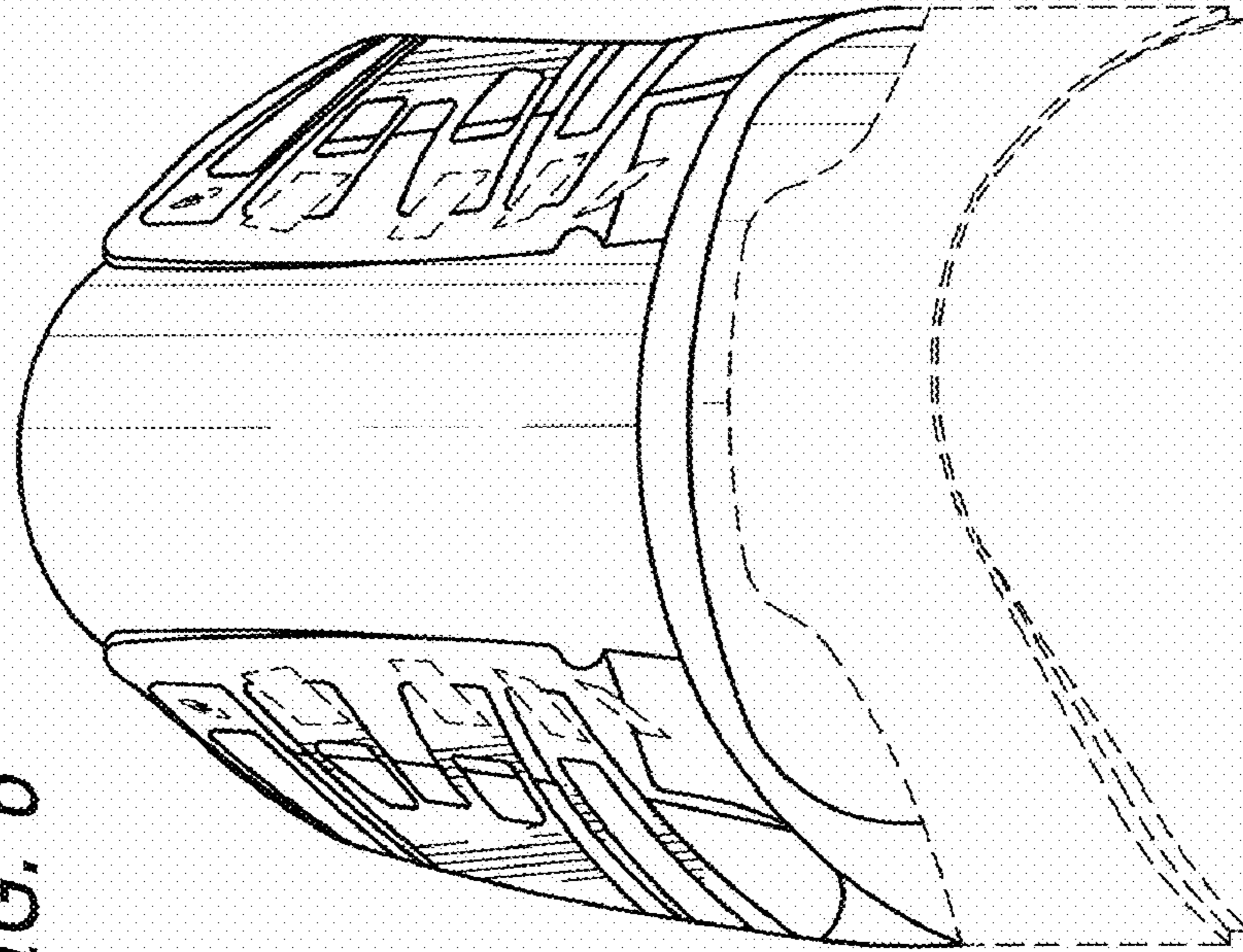


FIG. 5

