



US00D624737S

(12) **United States Design Patent**
Akhidime

(10) **Patent No.:** **US D624,737 S**

(45) **Date of Patent:** **** Oct. 5, 2010**

(54) **PERIPHERY OF AN OUTSOLE**

(75) Inventor: **Eval Akhidime**, Los Angeles, CA (US)

(73) Assignee: **SKECHERS U.S.A., Inc. II**, Manhattan Beach, CA (US)

(**) Term: **14 Years**

(21) Appl. No.: **29/365,652**

(22) Filed: **Jul. 13, 2010**

(51) **LOC (9) Cl.** **02-99**

(52) **U.S. Cl.** **D2/946; D2/947**

(58) **Field of Classification Search** D2/896,
D2/902, 903, 906-908, 946, 947, 951-960,
D2/964, 977; 36/25 R-25 A
See application file for complete search history.

(56) **References Cited**

U.S. PATENT DOCUMENTS

D249,298 S *	9/1978	Senter	D2/908
D343,506 S	1/1994	Kusuki et al.		
D378,011 S *	2/1997	Lucas	D2/947
D379,861 S *	6/1997	Wunsch	D2/947
D405,942 S *	2/1999	Kelchak	D2/947
D437,675 S *	2/2001	Dahlsten	D2/908
D462,157 S	9/2002	Burt		
D479,035 S	9/2003	Adams et al.		
D489,880 S	5/2004	McClaskie		
D499,535 S	12/2004	McClaskie		
D509,647 S	9/2005	McClaskie		
D511,617 S	11/2005	Matis		
D512,819 S	12/2005	Usuki et al.		
D543,683 S *	6/2007	Wozniak	D2/969

D547,939 S	8/2007	Link		
D553,846 S *	10/2007	Kayano et al.	D2/977
D559,508 S *	1/2008	Cintron et al.	D2/977
D566,381 S	4/2008	Nakano et al.		
D572,441 S	7/2008	Moretti		
D572,442 S	7/2008	Moretti		
D572,884 S *	7/2008	Belley et al.	D2/947
D579,640 S *	11/2008	Duffy	D2/947
D592,383 S	5/2009	Wawrousek		
D595,047 S *	6/2009	Petrie	D2/977
D599,102 S *	9/2009	Purdom et al.	D2/977
D607,633 S *	1/2010	Mongelli	D2/947

* cited by examiner

Primary Examiner—Dominic Simone

(74) *Attorney, Agent, or Firm*—Marshall A. Lerner; Marvin H. Kleinberg; Kleinberg & Lerner, LLP

(57) **CLAIM**

The ornamental design for a periphery of an outsole, as shown and described.

DESCRIPTION

FIG. 1 is a perspective view of a periphery of an outsole in accordance with my new design.

FIG. 2 is a left side view thereof;

FIG. 3 is a right side view thereof;

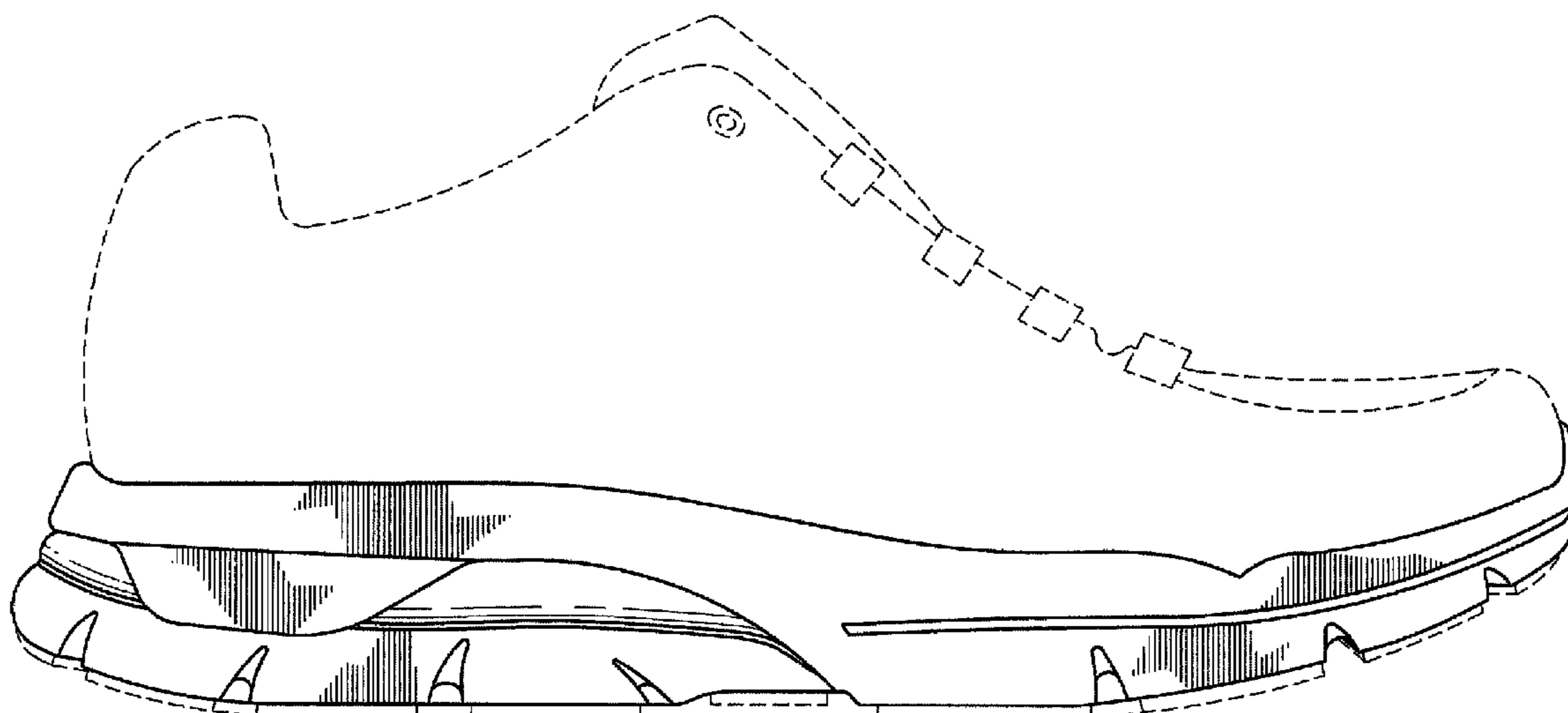
FIG. 4 is a top plan view thereof;

FIG. 5 is a rear elevation view thereof; and,

FIG. 6 is a front elevation view thereof.

Broken lines in the figures are for illustrative purposes only and form no part of the claimed invention.

1 Claim, 5 Drawing Sheets



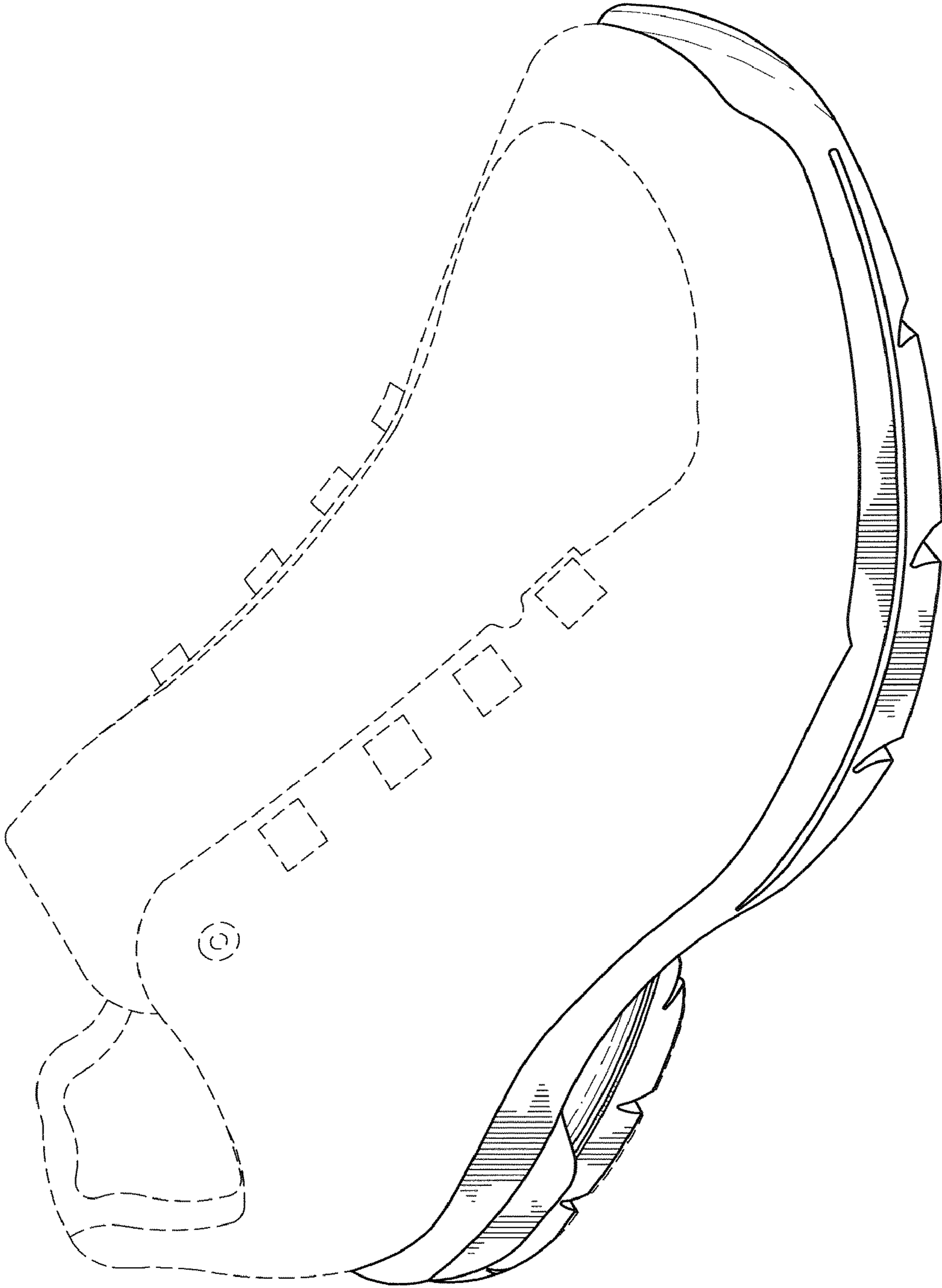


FIG. 1

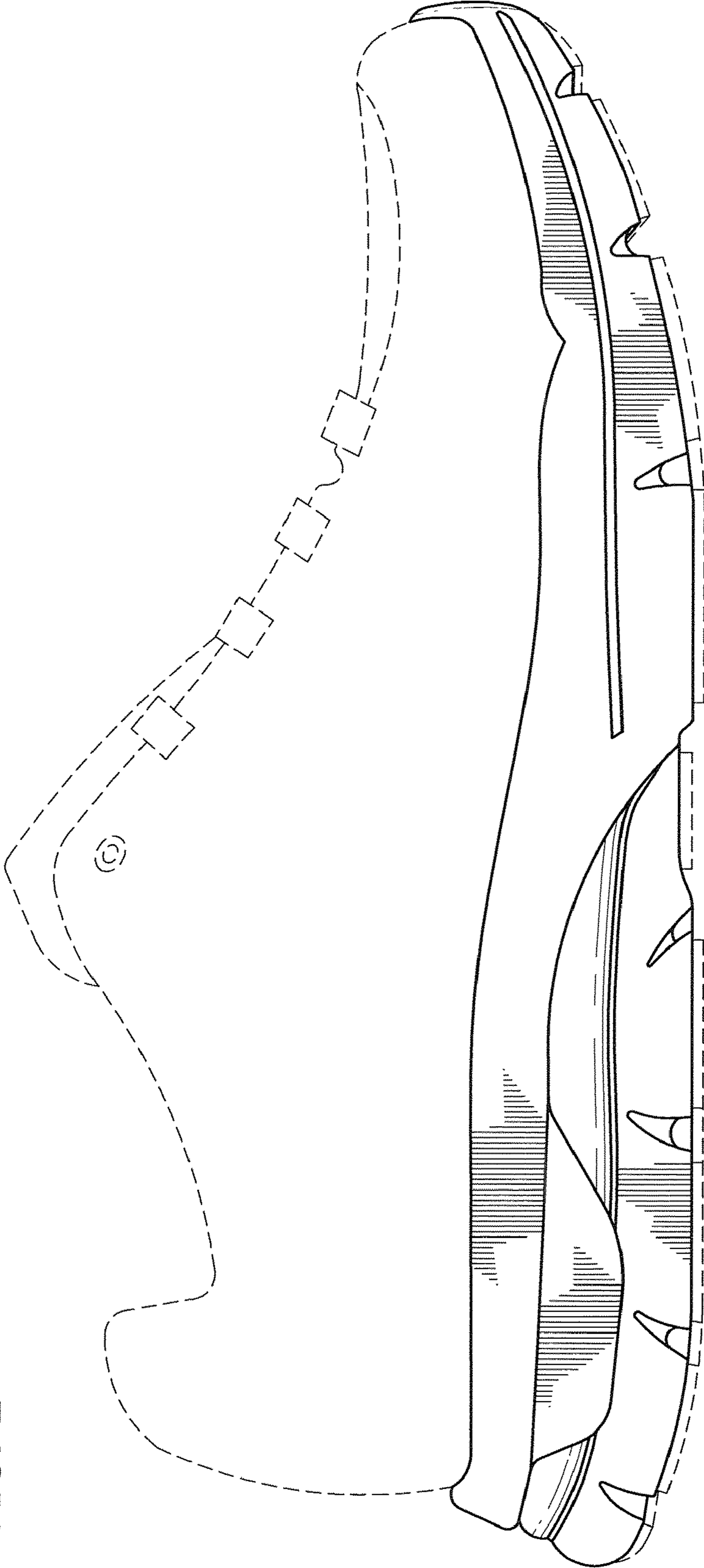


FIG. 2

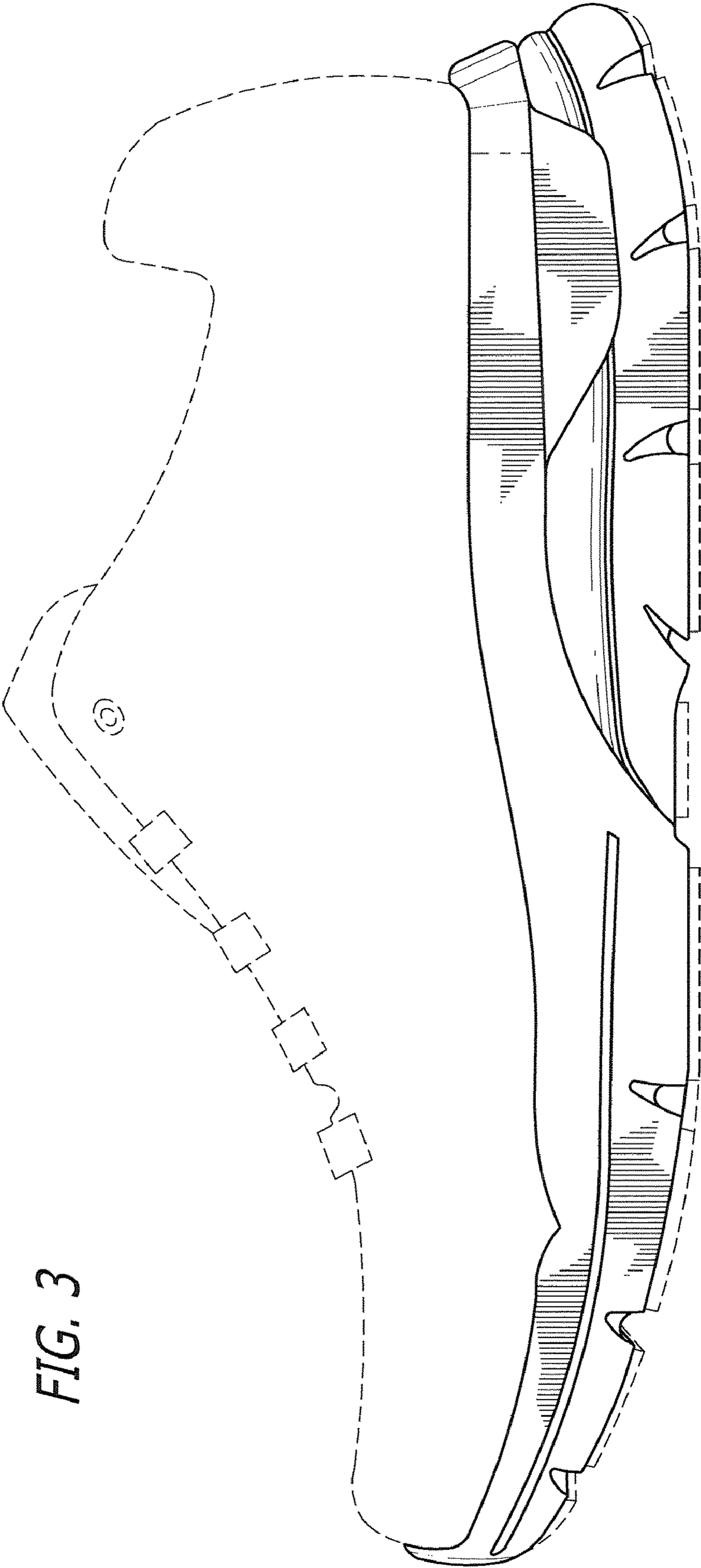


FIG. 3

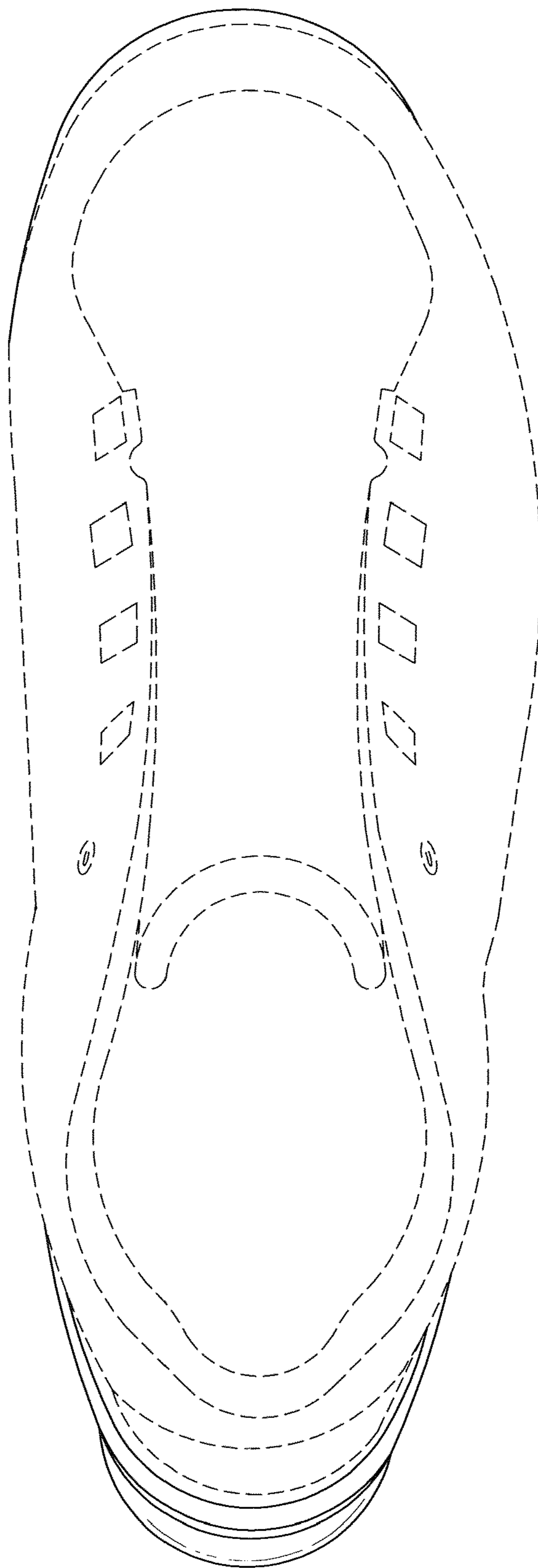


FIG. 4

FIG. 6

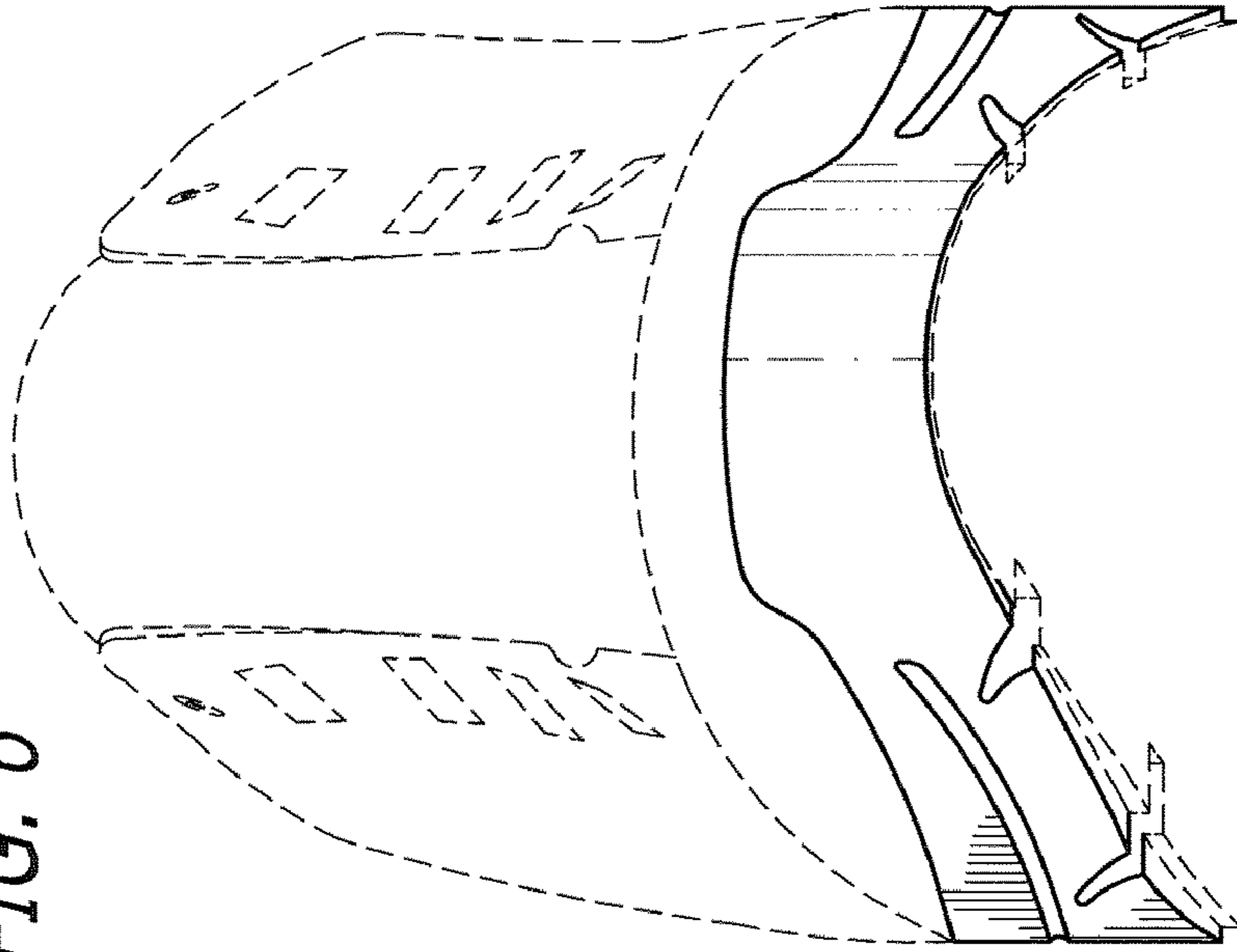


FIG. 5

