



US00D624733S

(12) **United States Design Patent**
O'Boyle et al.

(10) **Patent No.:** **US D624,733 S**

(45) **Date of Patent:** **** *Oct. 5, 2010**

(54) **FOOTWEAR**

D599,538 S 9/2009 del Biondi
2006/0048407 A1* 3/2006 Seamans 36/3 R

(75) Inventors: **Brian P. O'Boyle**, Sherwood, OR (US);
James K. Grelle, Portland, OR (US)

OTHER PUBLICATIONS

(73) Assignee: **Crocs, Inc.**, Niwot, CO (US)

Complaint, *Columbia Sportswear Co. v. O'Boyle*, Case No. 0908-11856, Circuit Court of the State of Oregon for the County of Multnomah, Aug. 24, 2009.

(**) Term: **14 Years**

Amended Complaint, *Columbia Sportswear Co. v. O'Boyle*, Case No. 0908-11856, Circuit Court of the State of Oregon for the County of Multnomah, Dec. 8, 2009.

(21) Appl. No.: **29/326,324**

Answer of Defendants Brian P. O'Boyle and 1Pen Inc. to Amended Complaint, *Columbia Sportswear Co. v. O'Boyle*, Case No. 0908-11856, Circuit Court of the State of Oregon for the County of Multnomah, Dec. 23, 2009.

(22) Filed: **Oct. 15, 2008**

Crocs, Inc.'s Answer to Amended Complaint and Affirmative Defenses, *Columbia Sportswear Co. v. O'Boyle*, Case No. 0908-11856, Circuit Court of the State of Oregon for the County of Multnomah, Jan. 25, 2010.

Related U.S. Application Data

(63) Continuation-in-part of application No. 29/306,957, filed on Apr. 18, 2008, now abandoned.

* cited by examiner

(51) **LOC (9) Cl.** **02-04**

(52) **U.S. Cl.** **D2/923; D2/896; D2/916; D2/926**

Primary Examiner—Robert M Spear

Assistant Examiner—Rashida C McCoy

(58) **Field of Classification Search** D2/896,
D2/900, 902, 903, 906, 908, 916, 917, 923,
D2/943, 944, 969, 974, 946, 972, 976; 36/83,
36/109, 88, 102, 113, 3 A, 3 R, 7.4, 11.5,
36/4, 87, 45, 8, 100, 112, 7.5
See application file for complete search history.

(74) *Attorney, Agent, or Firm*—Faegre & Benson LLP

(56) **References Cited**

CLAIM

The ornamental design for footwear, as shown and described.

U.S. PATENT DOCUMENTS

DESCRIPTION

FIG. 1 is a front perspective view of footwear showing our new design;

FIG. 2 is an outer side view thereof;

FIG. 3 is an inner side view thereof;

FIG. 4 is a bottom view thereof;

FIG. 5 is a top view thereof;

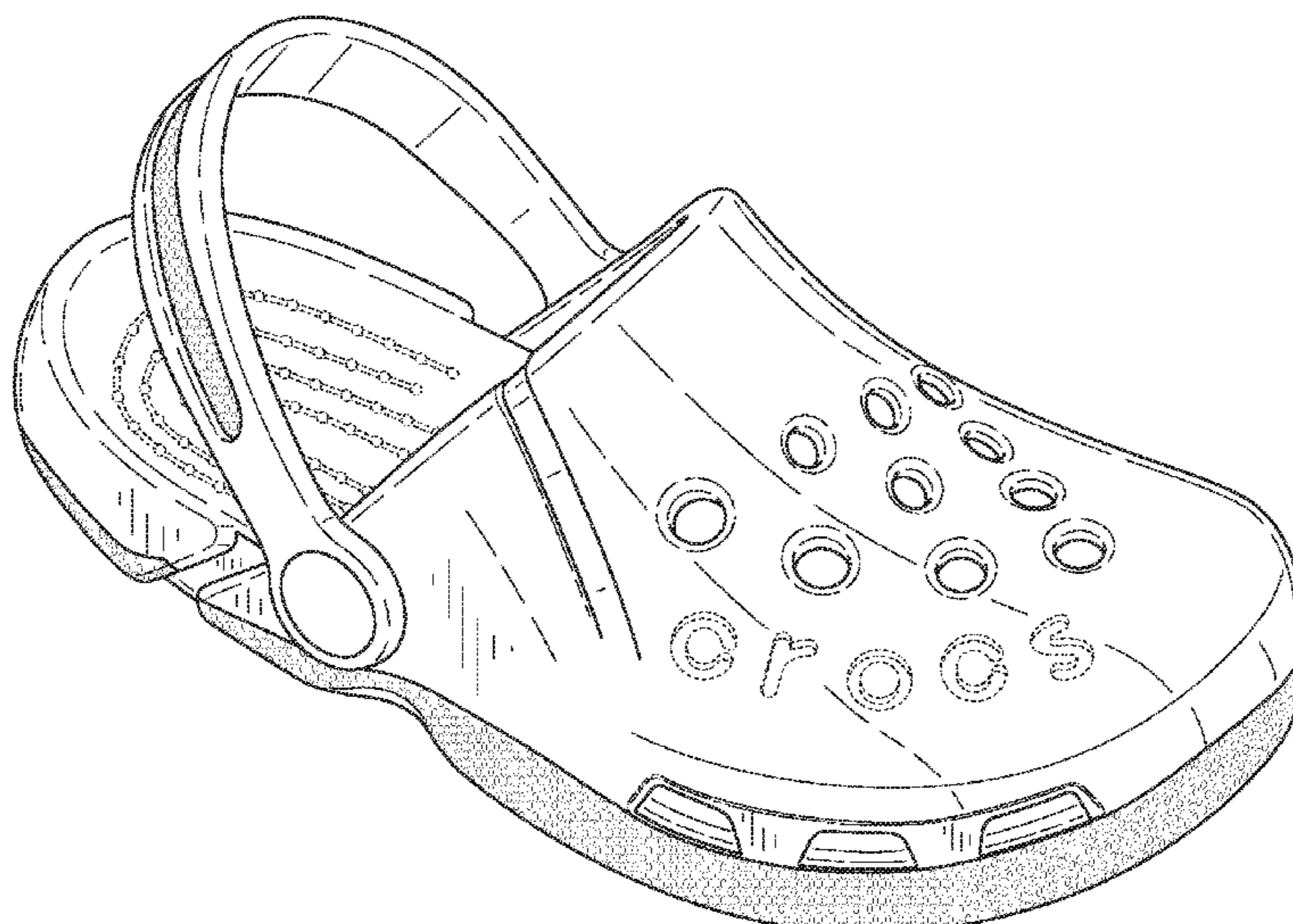
FIG. 6 is a front view thereof; and,

FIG. 7 is a back view thereof.

The broken line showing is for illustrative purpose only and forms no part of the claimed design.

- 4,476,600 A * 10/1984 Seidel et al. 12/142 V
- D310,289 S * 9/1990 Farina D2/926
- D381,794 S * 8/1997 Gelli D2/916
- D416,667 S * 11/1999 Lamstein D2/916
- D448,918 S * 10/2001 Hoyt et al. D2/919
- D473,040 S * 4/2003 Hawker et al. D2/896
- 6,993,858 B2* 2/2006 Seamans 36/3 A
- D517,789 S * 3/2006 Seamans D2/969
- D517,790 S * 3/2006 Seamans D2/969
- 7,146,751 B2* 12/2006 Seamans 36/50.1
- D545,033 S * 6/2007 Wolf D2/926
- D563,082 S 3/2008 Seamans
- D590,588 S 4/2009 del Biondi

1 Claim, 7 Drawing Sheets



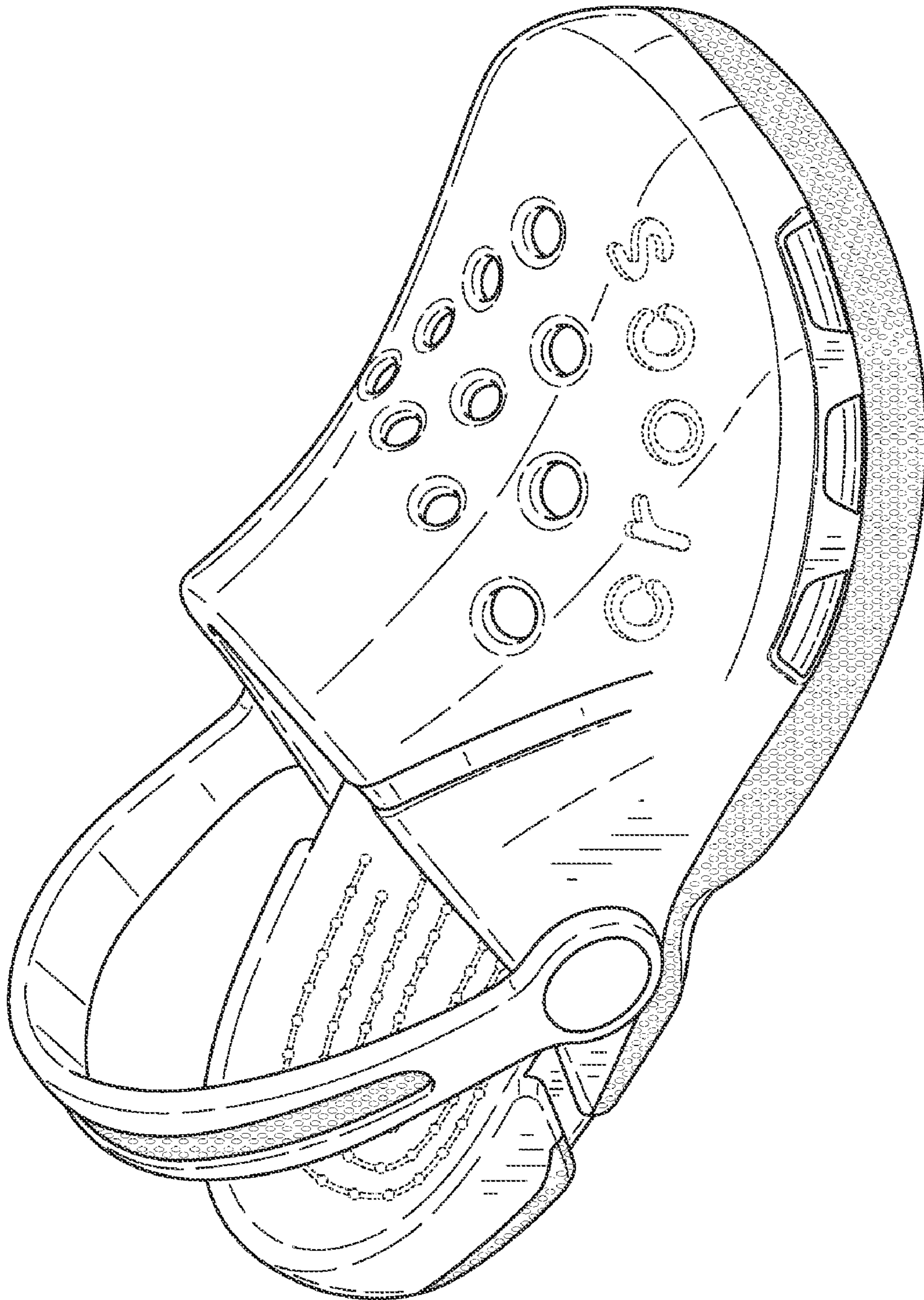


FIG. 1

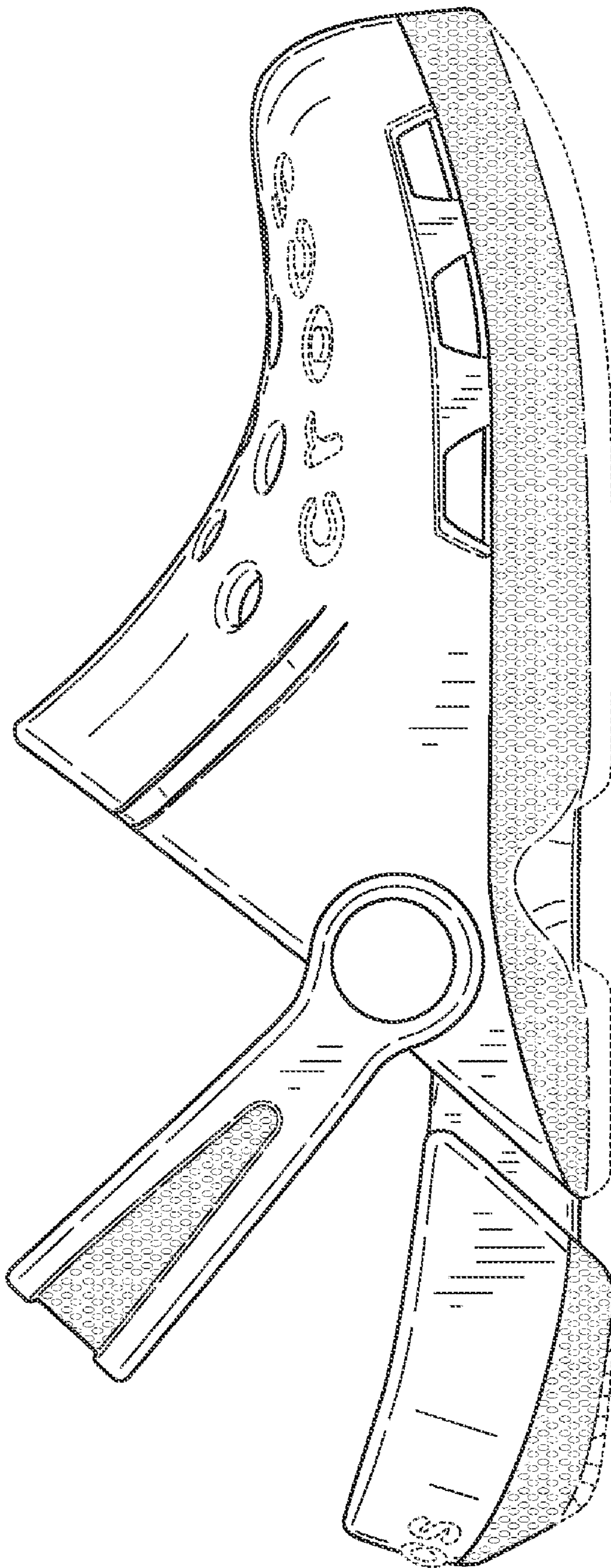


FIG. 2

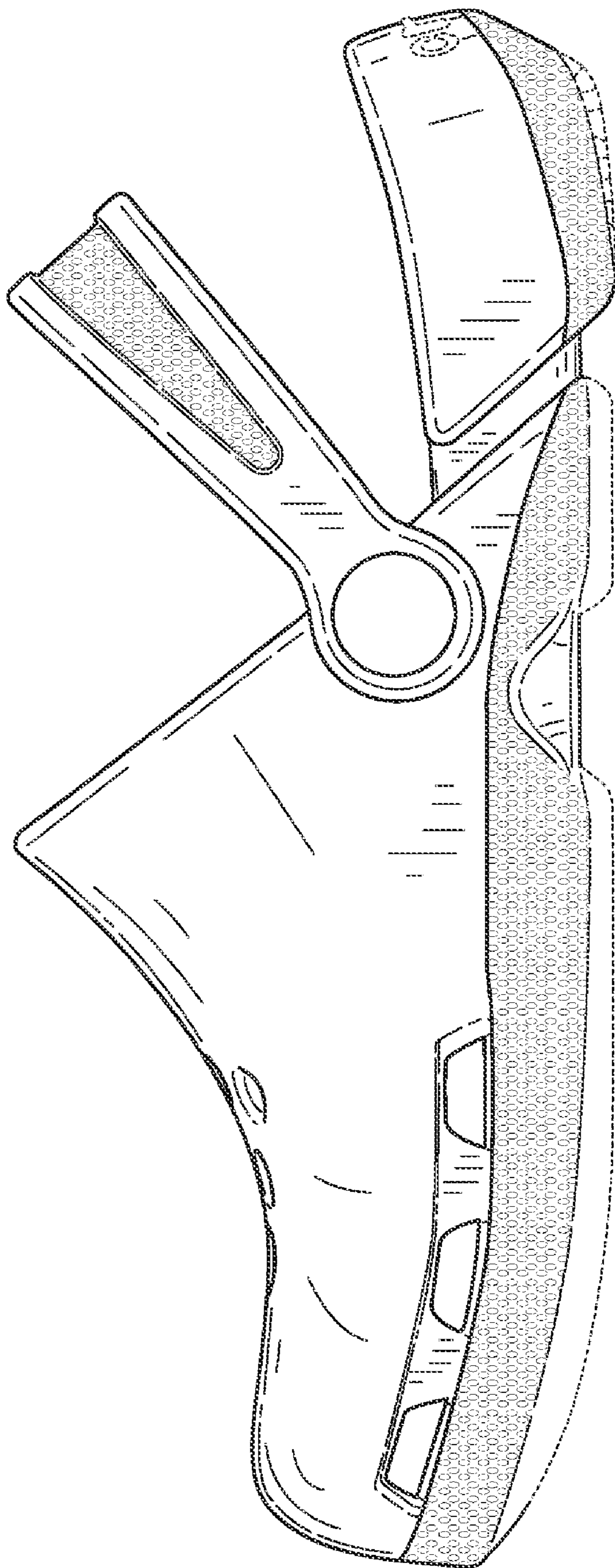


FIG. 3

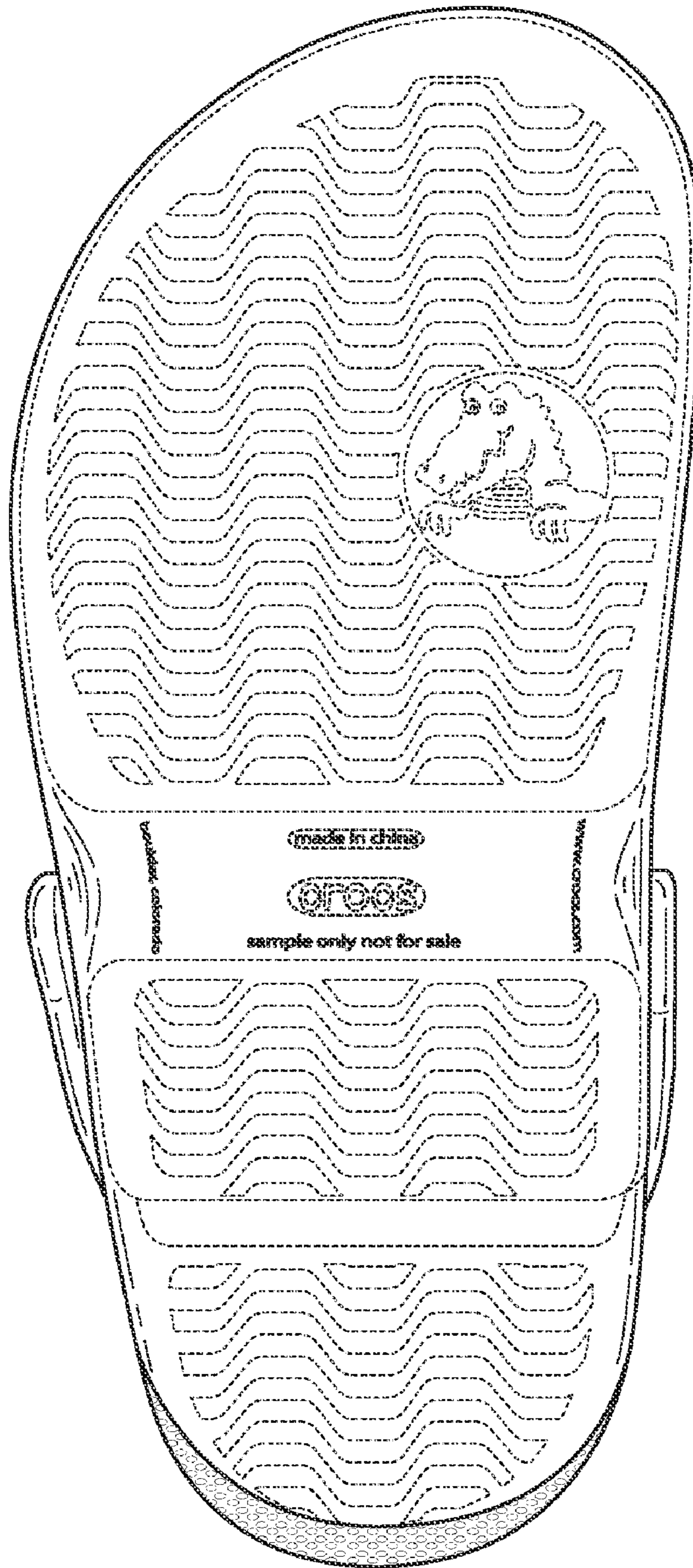


FIG.4

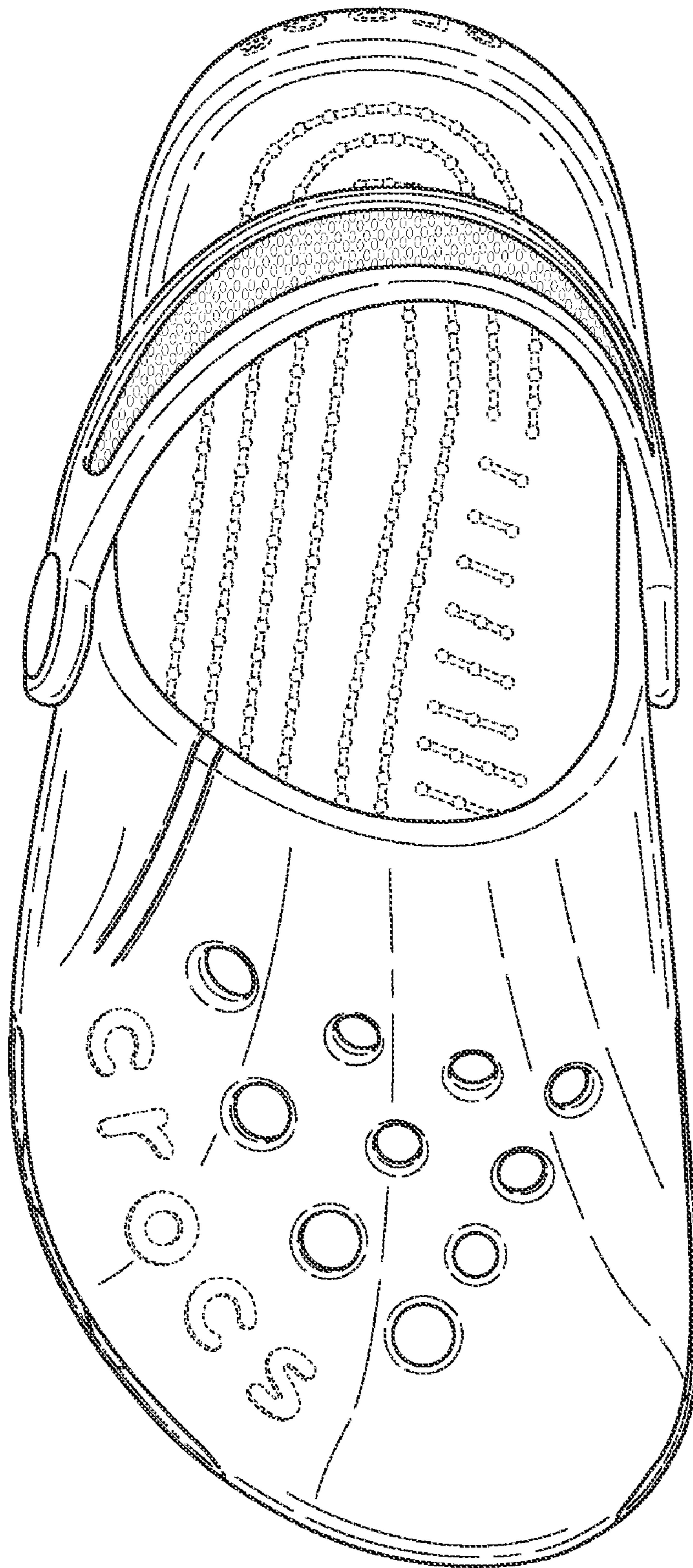


FIG. 5

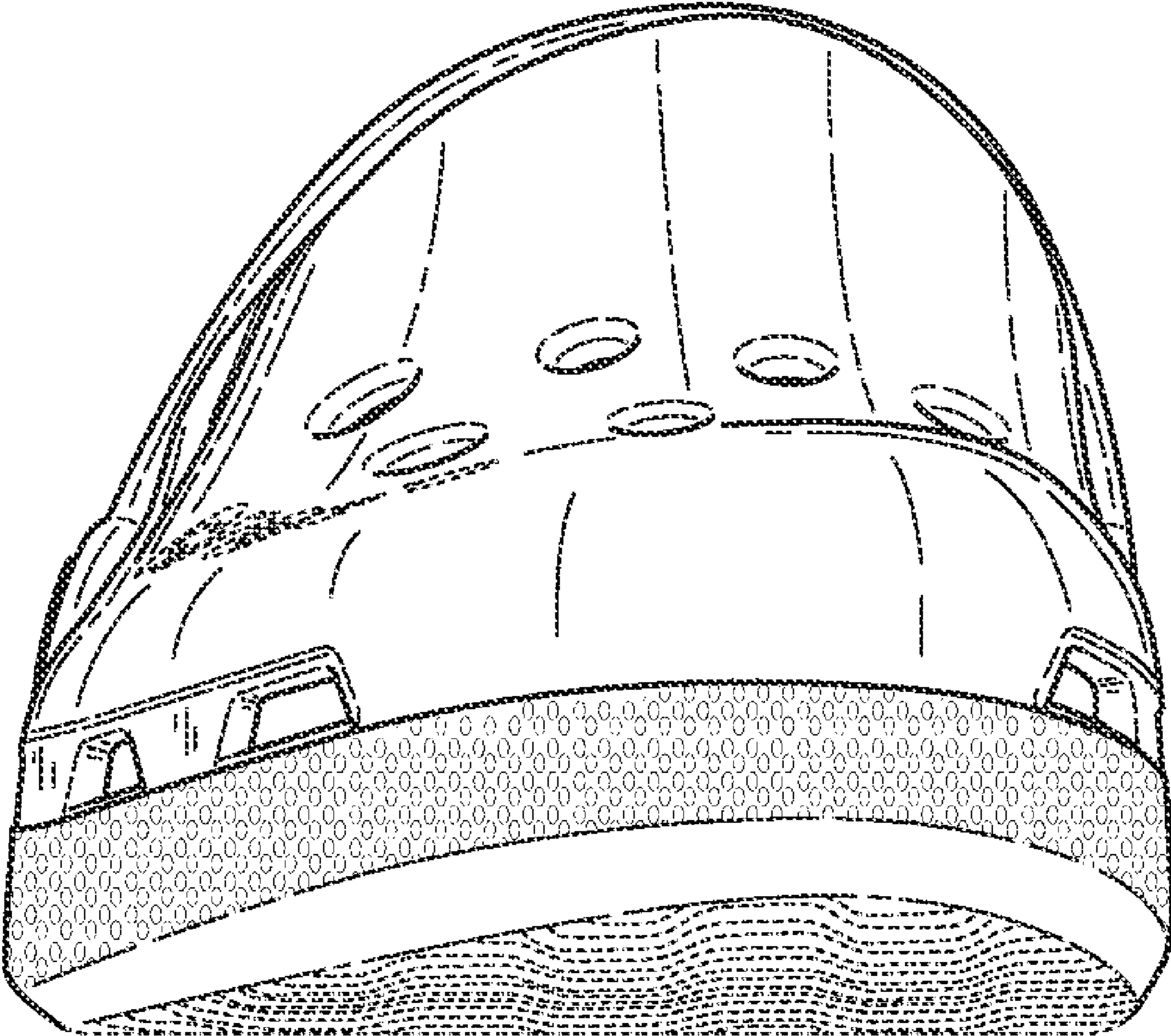


FIG. 6

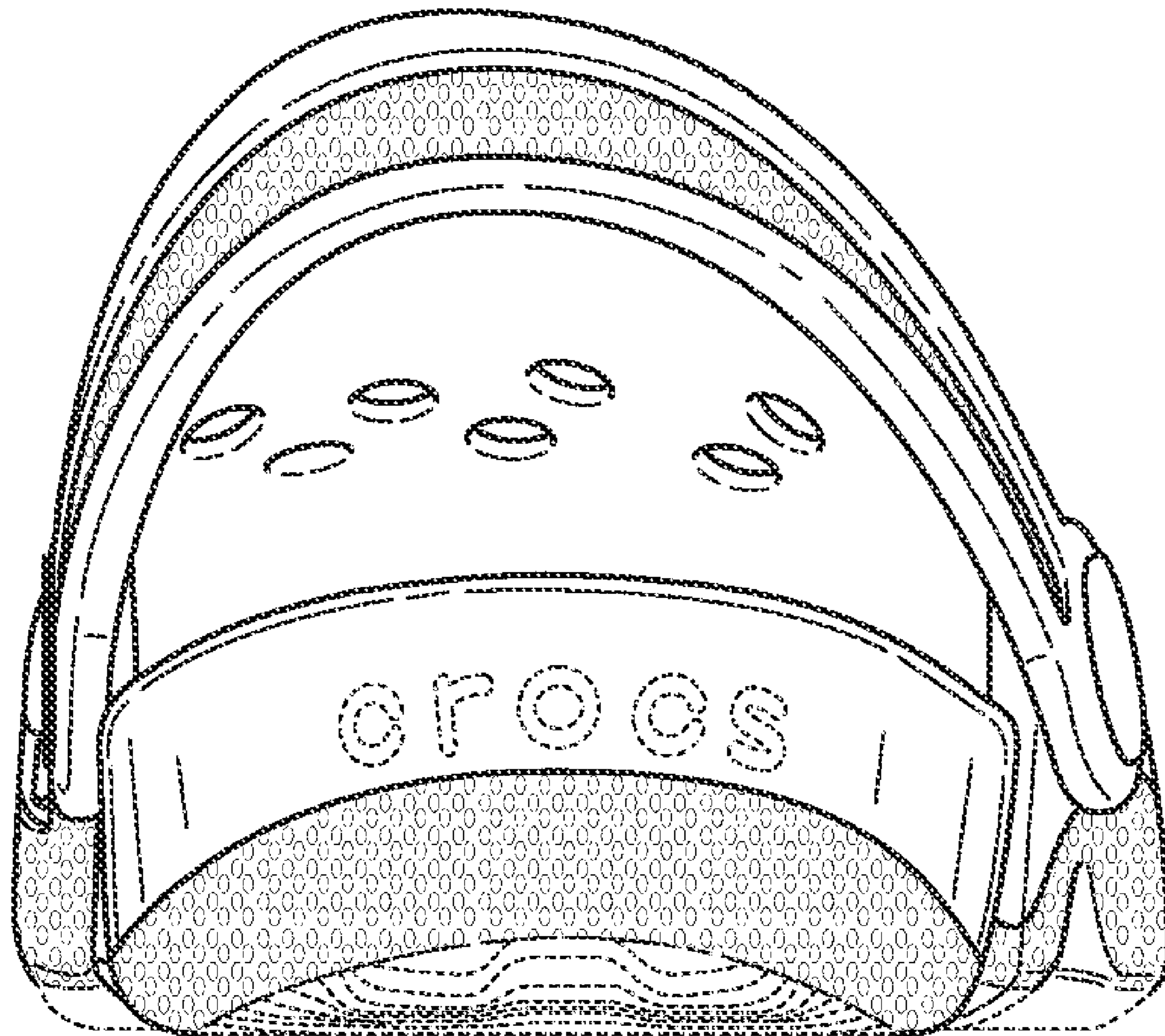


FIG. 7